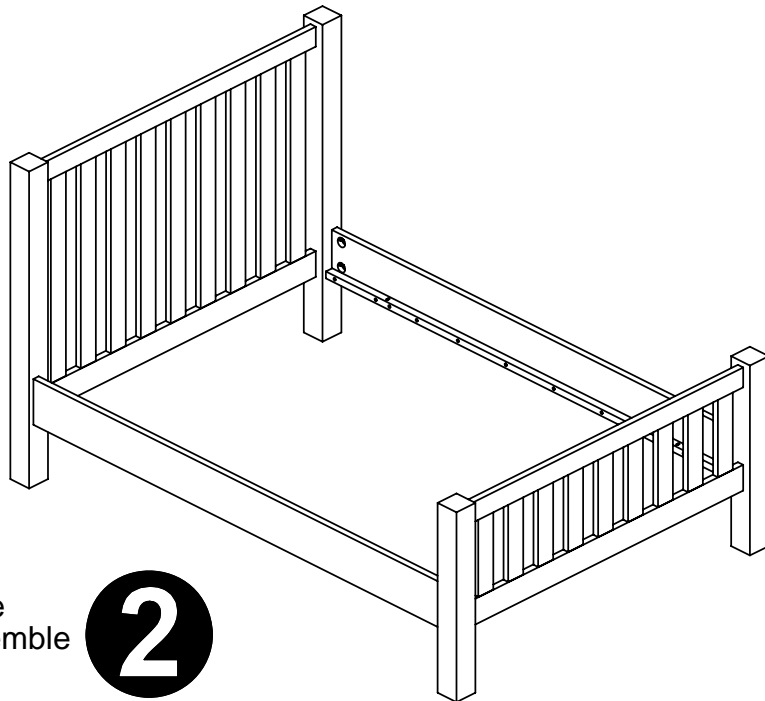




**WENTWOOD DOUBLE BED**    **221-00157 (Solid slats)**  
**221-00158 (Sprung slats)**

**Assembly Instruction**



Minimum No. of people recommended to assemble this product

**2**

Approx assembly time

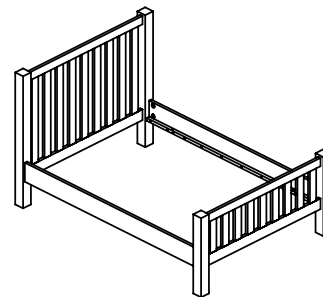
**45**  
minutes

**Before you start, here is some helpful advice**

1. We suggest you spend a short time reading through this leaflet and then follow the simple step by step instructions.
2. If you follow the instructions carefully the end result should be worth the effort.
3. Do not discard any of the packaging until you have checked that you have all the parts and the pack of fittings.
4. To ensure an easier assembly, we strongly advise that all fittings are only finger tightened during initial assembly. Only upon completion of the. Assembly should all fixing points be fully tightened.
5. We recommend a periodic check on all fixing points to make sure they remain fully tightened.
6. Keep glue and fittings out of children's reach.
7. In the unlikely event that this product has missing or damaged parts, please call 0844 292 0000 to obtain spares

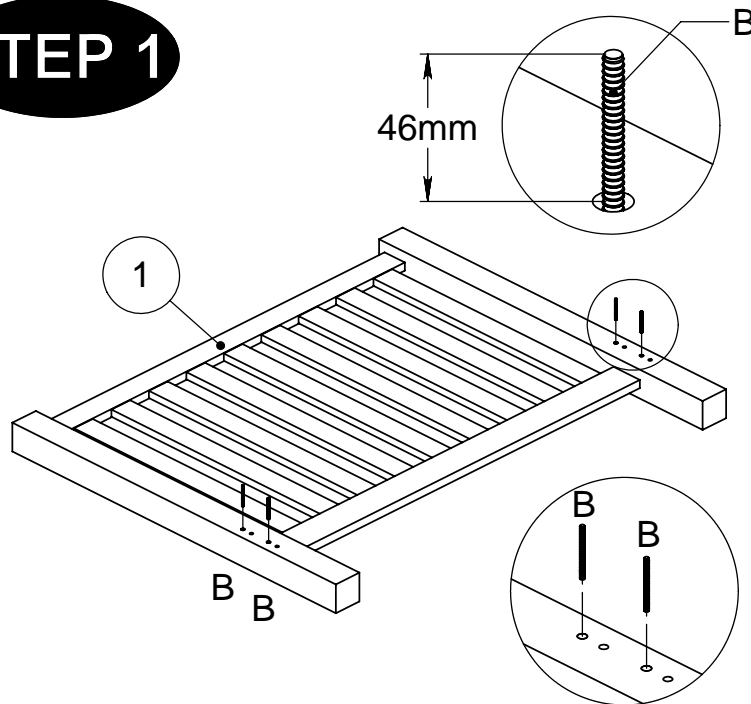
PARTS		Fittings
		<b>A</b>  Ø10 x 40mm x 8pcs.
		<b>B</b>  M8 x 65mm x 8pcs.
		<b>C</b>  Ø35 x 8pcs.
		<b>D</b>  M8 x 8pcs.
		<b>E</b>  Spanner x 1pc.
		<b>F</b>  Allen key 4mm x 2pcs.
<b>G</b>  M6 x 38mm x 4pcs.	<b>H</b>  M6 x 22mm x 4pcs.	<b>K</b>  Ø4 x 40mm x 6pcs.
<b>L</b>  M6 x 6pcs.		
<p><b>Note:</b>The following fittings will be found in the box which contains the Sprung Frame, NOT with the bed frames Assembly Kit.</p>		
<b>M</b>  Center leg x 1pc.	<b>N</b>  Center leg x 2pcs.	<b>P</b>  M6 x 12mm x 8pcs.
<b>F</b>  Allen key 4mm x 1pc.		

# Assembly



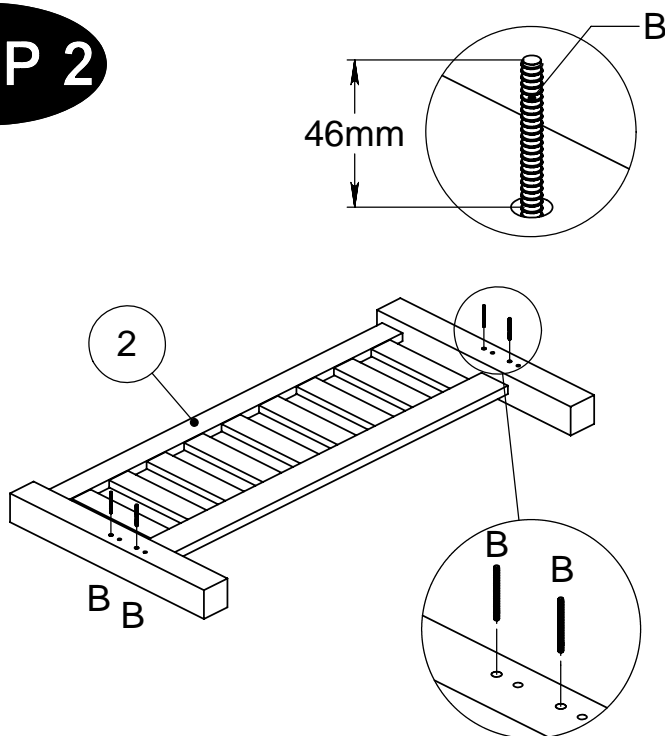
Insert cam bolts "B" into the headboard "1" by hand.

## STEP 1



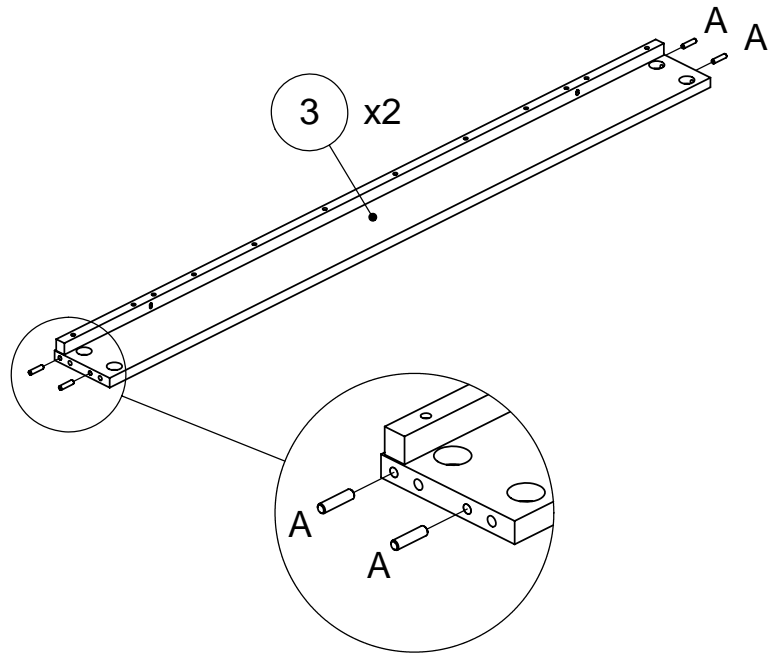
Insert cam bolts "B" into the footboard "2" by hand.

## STEP 2



Insert dowels "A" into the side rails "3".

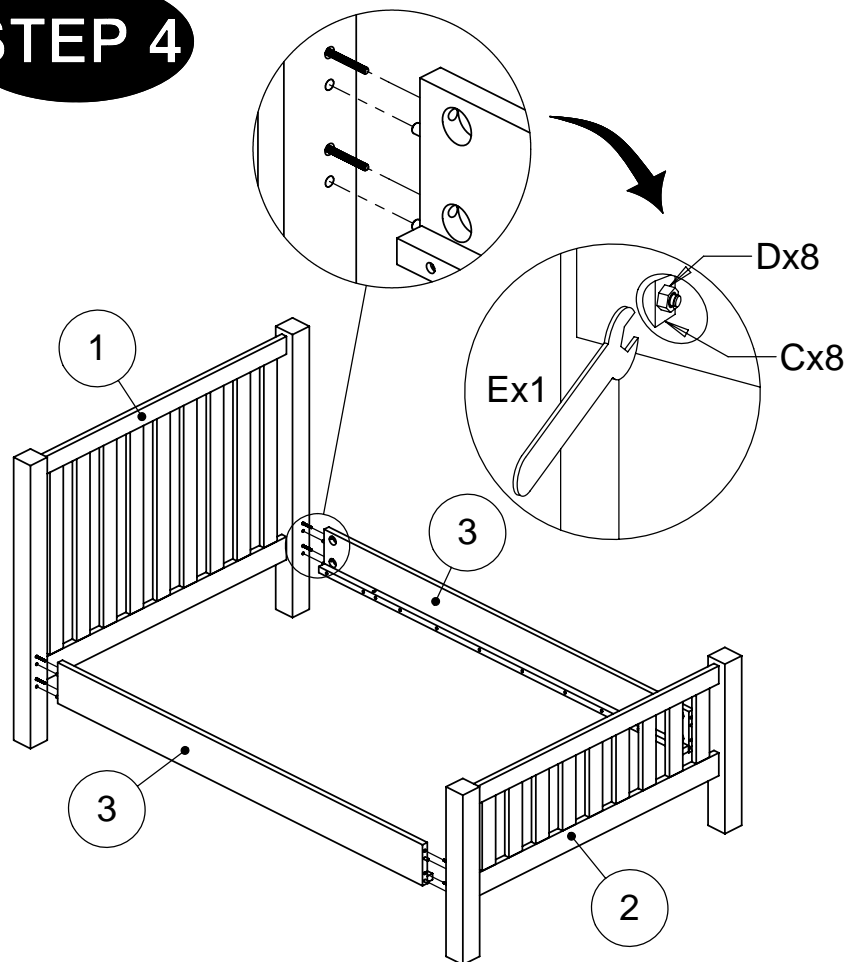
### STEP 3



Fix the side rails "3" to the headboard "1" and footboard "2".

Insert cam locks "C" and nuts "D" to side rails "3", and tighten with a spanner "E".

### STEP 4



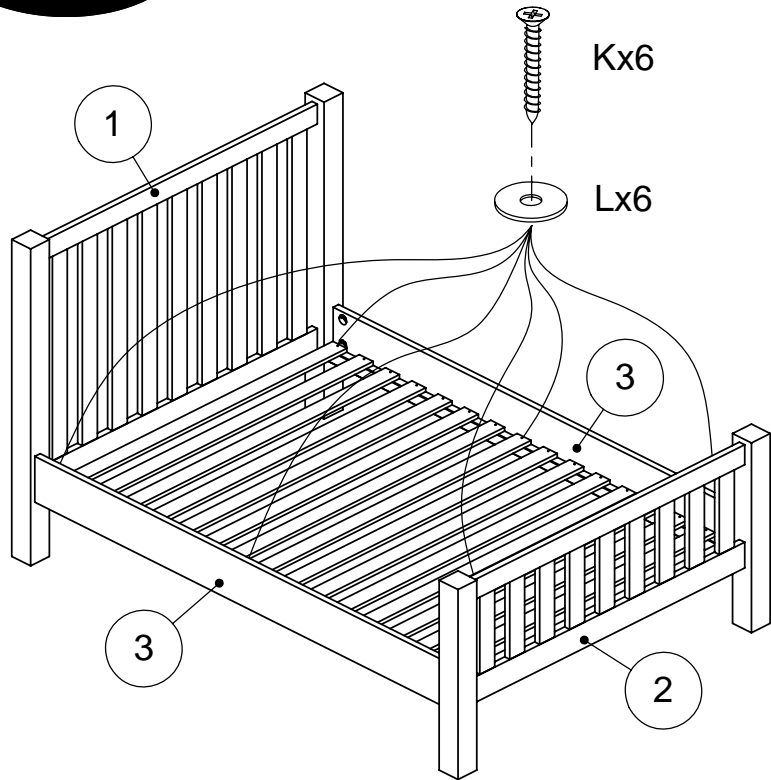
**Important Note:** Your Bedstead comes supplied as standard with Solid Wood Slats, or upgrade available to Sprung Slat System at point of purchase at an additional cost. Please carefully follow the correct assembly instructions for the slat system that you have purchased.

**Option 1:  
Dreams solid slats**

Place the fixed wood slats onto the slat holders on side rails "3".

Fix the slats at both ends and the middle using screws "K" and washer "L", tighten with a screwdriver. total of six screws and washers.

**STEP 5**

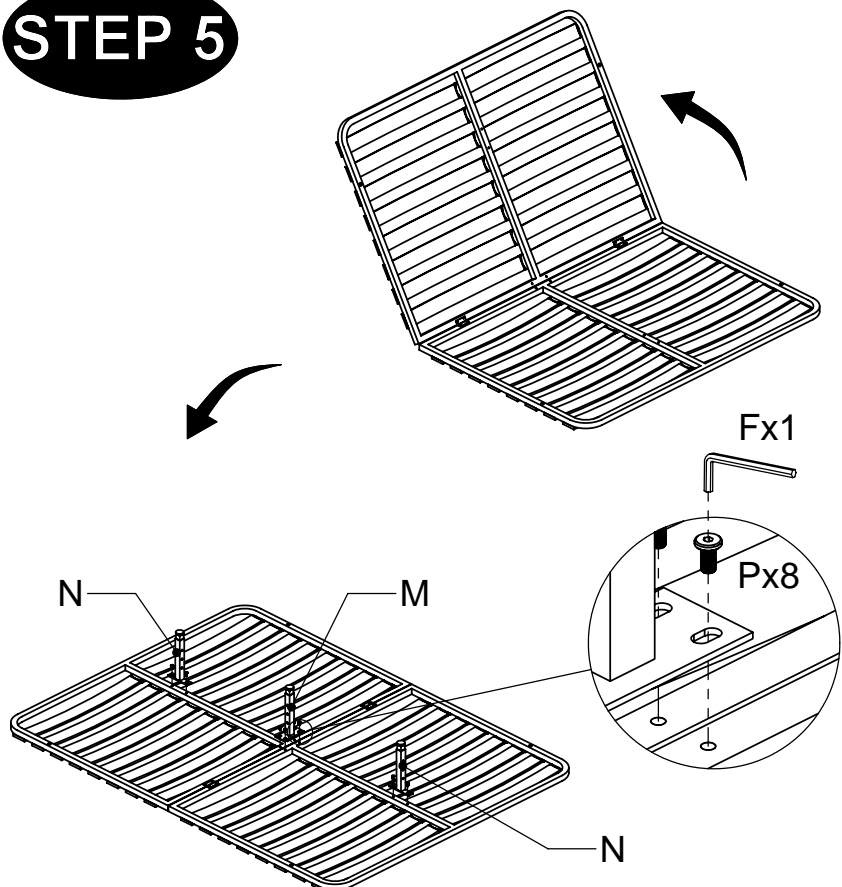


**Option 2:  
Dreams sprung slat frame**

Open the metal slat frame outwards.

Attach center leg "M" and support legs "N" to the frame and secure using bolts "P", tighten using allen key "F".

**STEP 5**



Turn the metal slat frame falling upward and carefully lower the slat frame into the bed.

Ensure that the frame sits on the guides located on the side rails "3".

Position the slat frame so that the holes in the frame align with those in the side rails "3". Secure the frame to the side rails "3" by threading bolt "G" and through the holes in the frame and the side rails "3".

Finally, tighten the bolt "G" into the sleeve nut "H" from the top of slat frame with allen key "F".

## STEP 6

