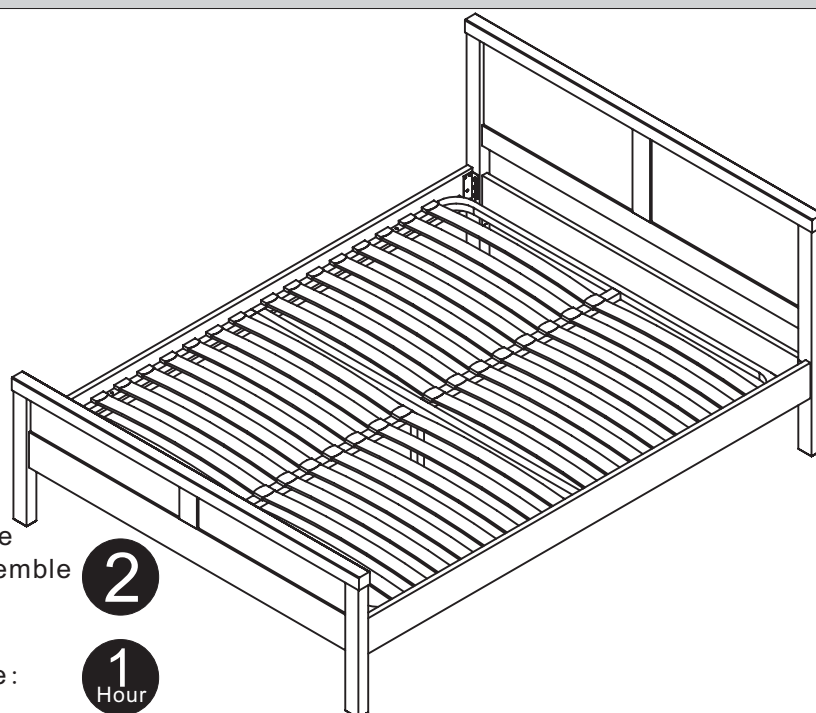




**Verona 4 '6 " Bed 221-00122 (Solid slat version)
221-00123 (Sprung slat version)**

Assembly Instructions



Minimum No. of people recommended to assemble this product:

2

Approx assembly time:

1
Hour

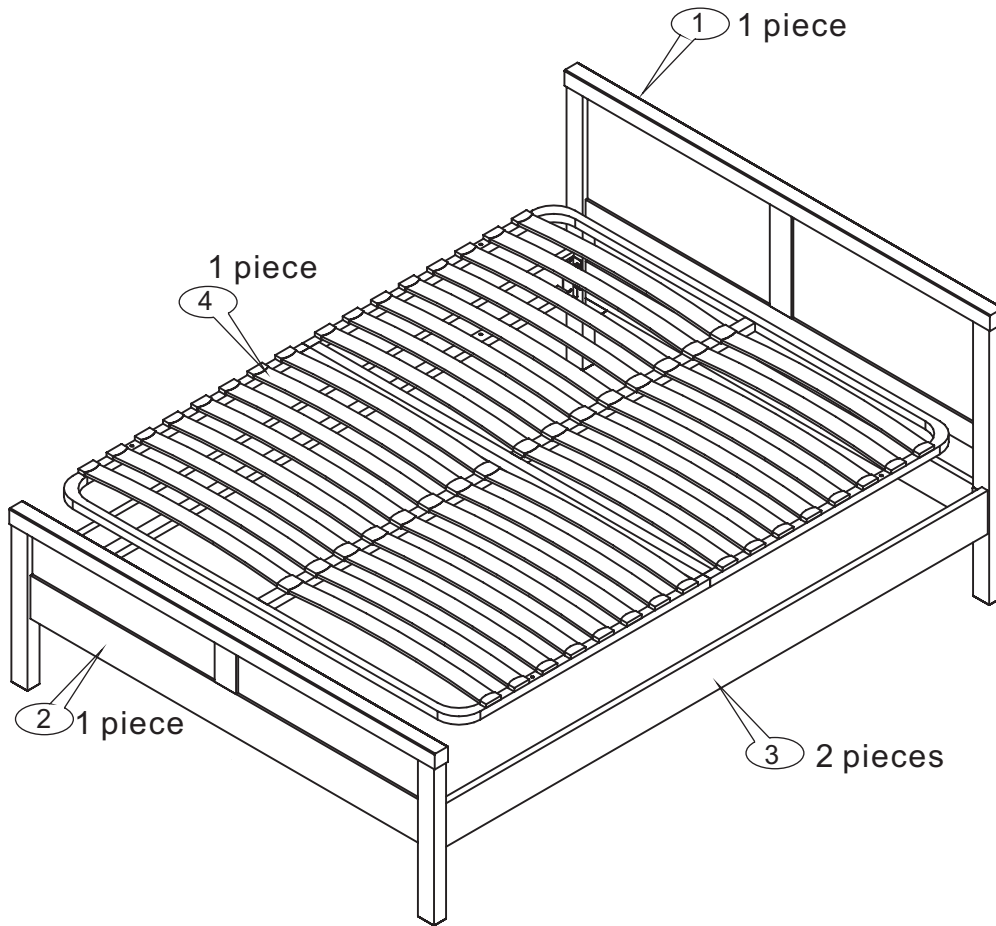
Before you Start, here is some helpful advice

1. We suggest you spend a short time reading through this leaflet and then follow the simple step by step instructions.
2. If you follow the instructions carefully the end result should be worth the effort.
3. Do not discard any of the packaging until you have checked that you have all the parts and the pack of fittings.
4. Assemble this product on a carpet.
5. To ensure an easier assembly, we strongly advise that all fittings are only finger tightened during initial assembly. Only upon completion of the assembly should all fixing points be fully tightened.
6. We recommend a periodic check of all fixing points to make sure they remain fully tightened.
7. Keep glue and fittings out of children's reach.

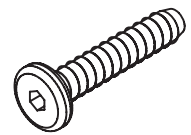
In the unlikely event that this product has missing or damaged parts, please call 0844 8118221 to obtain spares

PARTS

Fittings

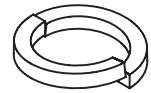


A



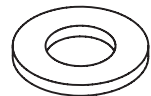
M6 x 30mm x 12PCS

B



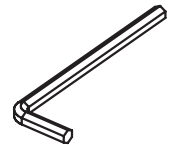
(M6) x 12PCS

C



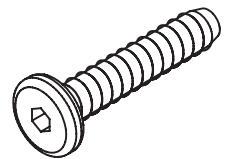
M6 x 16mm x 22PCS

D



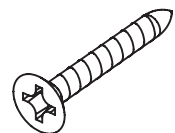
(M4) Allen Key x 2PCS

E



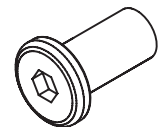
M6 x 45mm x 4PCS

F



M4 x 40mm x 6PCS

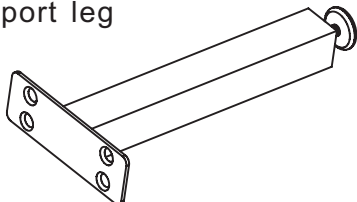
G



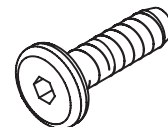
(M6) Nut x 4PCS

Note: The following fittings will be found in the box which contains the Sprung Frame, NOT with the bed frames Assembly Kit.

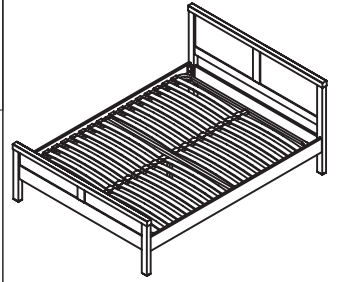
H 1PC-Support leg



I 4PCS-Bolt M6 x12mm



ASSEMBLY

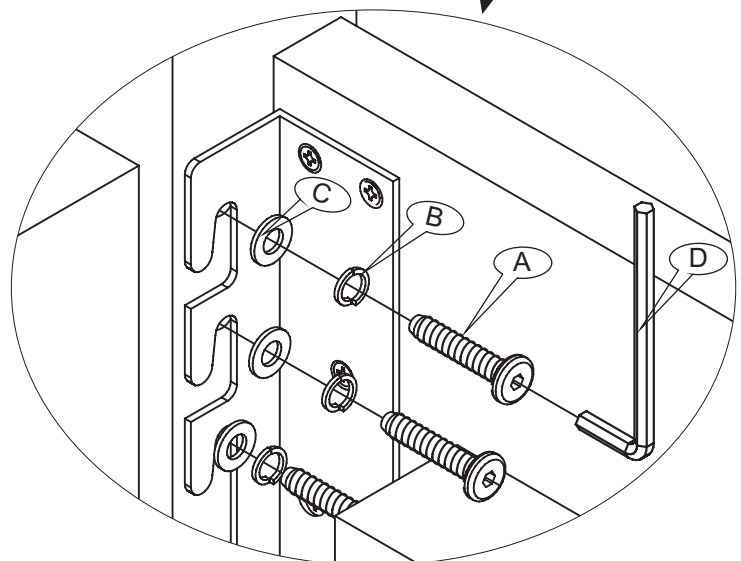
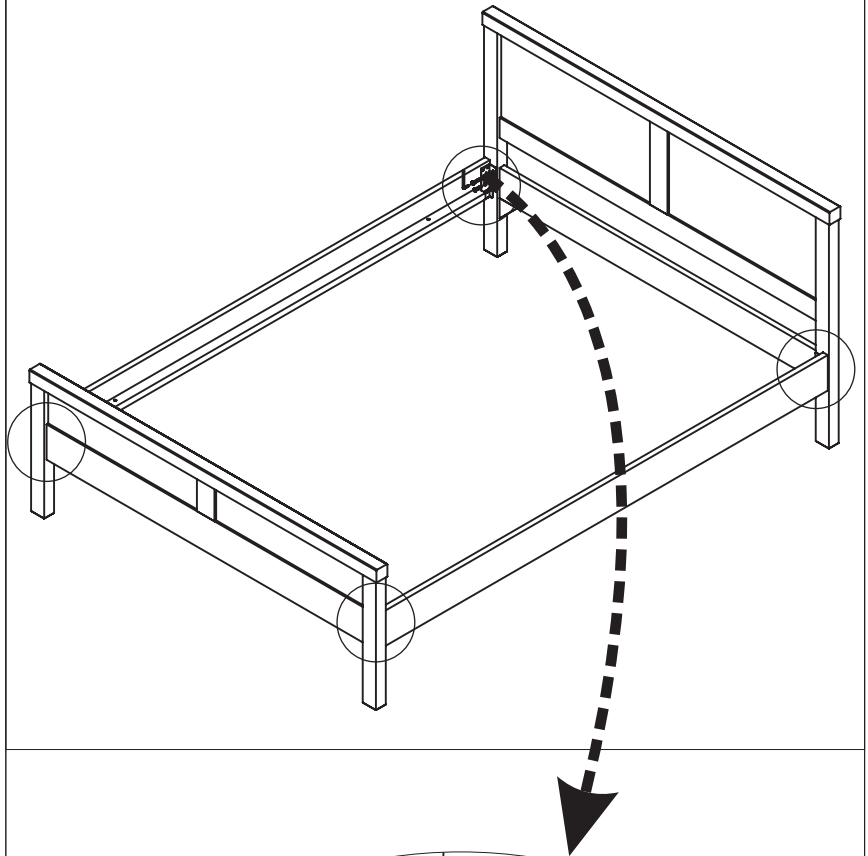


Important Note : Your Bedstead comes supplied as standard with Solid Wood Slats, or upgrade available to Sprung Slat System at point of purchase at an additional cost.
Please carefully follow the correct assembly instructions for the slat system that you have purchased.

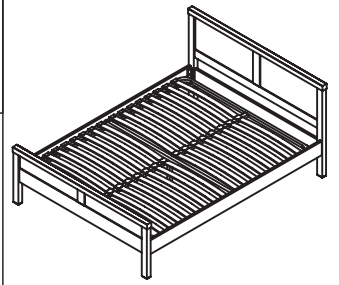
1) DREAMS WOOD AND SPRUNG SLAT SYSTEMS

Assemble side rails part 3 to the headboard part 1 and footboard part 2 as shown. Secure using fittings A, B, C, and Allen Key D.

STEP 1



ASSEMBLY

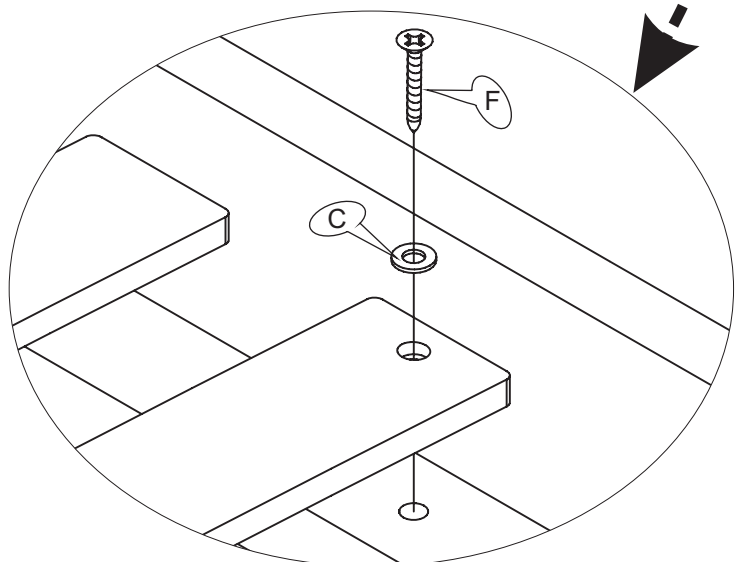
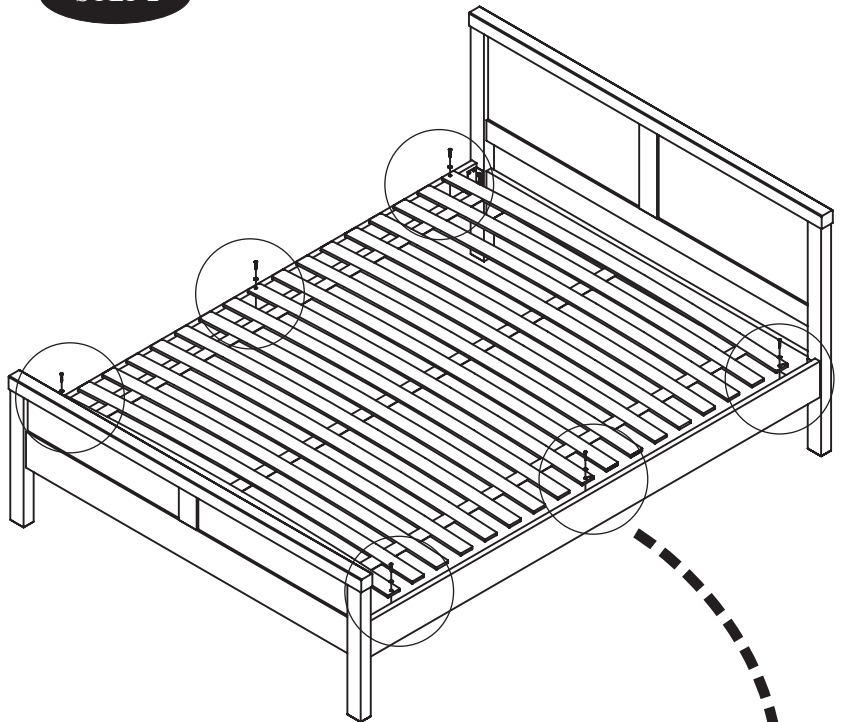


Important Note : Your Bedstead comes supplied as standard with Solid Wood Slats, or upgrade available to Sprung Slat System at point of purchase at an additional cost.
Please carefully follow the correct assembly instructions for the slat system that you have purchased.

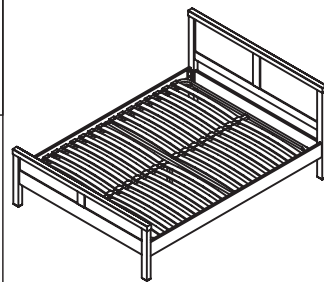
2) SOLID WOOD SLATS

Place the Fixed Wood Slats onto the slat supports on siderail.
Fix the slats at both ends and the middle using screws F and washer C
Total of six screws and washers.
(A Phillips Screwdriver is Required for this Assembly)

STEP 2



ASSEMBLY



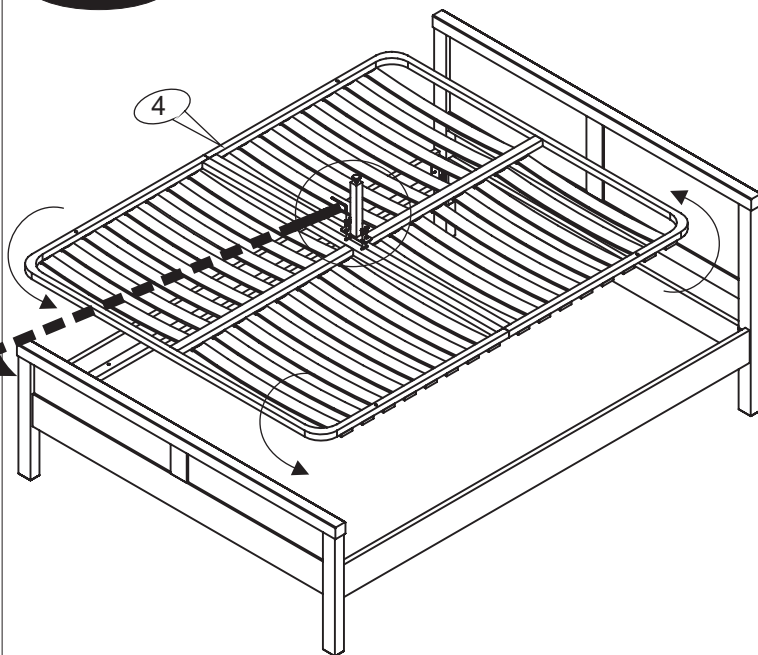
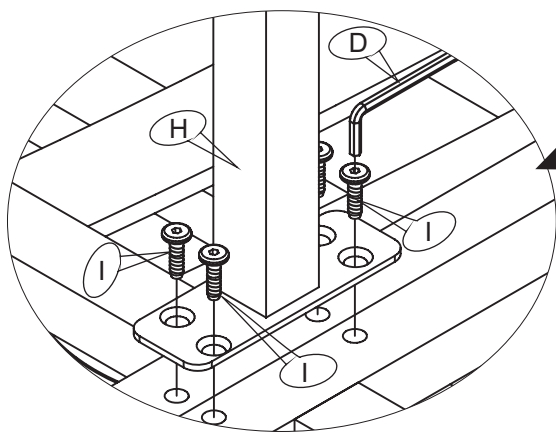
Important Note : Your Bedstead comes supplied as standard with Solid Wood Slats, or upgrade available to Sprung Slat System at point of purchase at an additional cost.

Please carefully follow the correct assembly instructions for the slat system that you have purchased.

3) DREAMS SPRUNG SLAT SYSTEM

Open the metal Slat Frame outwards Attach Support Legs H to the frame and secure using Bolts I. Tighten using Allen Key D. Carefully lower the Slat frame into the bed. With Slats facing upwards. Ensure that the frame sits on the guides located on the Side Rails 3

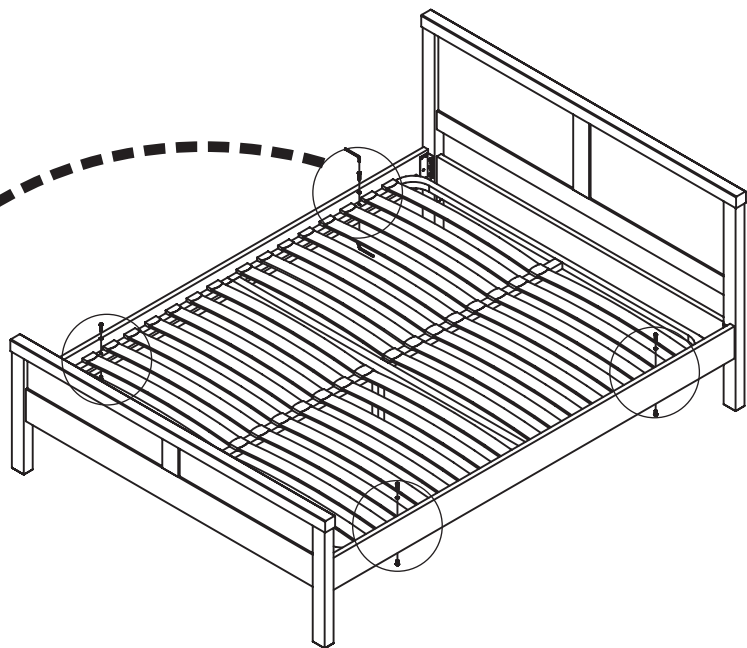
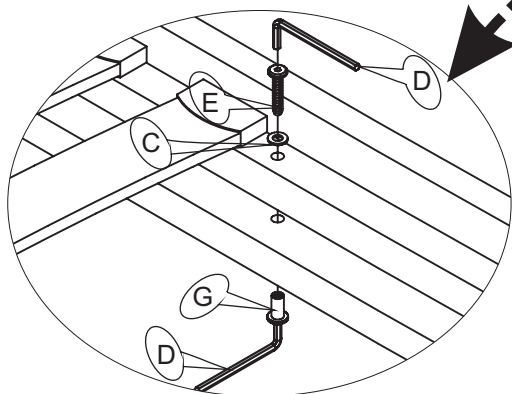
STEP 3



4) DREAMS SPRUNG SLAT SYSTEM

Position the Slat frame so that the holes in the frame align with those in the Side Rails 3. Secure the Frame to the Side Rails by inserting Bolt E through washers C, through the holes in the frame and the Side Rails. And installing Nut G. Finally, tighten bolts E after all are in place.

STEP 4



SAFETY WARNINGS

THIS PRODUCT COMPLIES WITH BS EN 1725 : 1998
PERIODICALLY ENSURE THAT ALL THE FIXING SCREWS ARE TIGHT.
DO NOT ALLOW HORSEPLAY ON THE BED AND PROHIBIT JUMPING
ON THE BED.