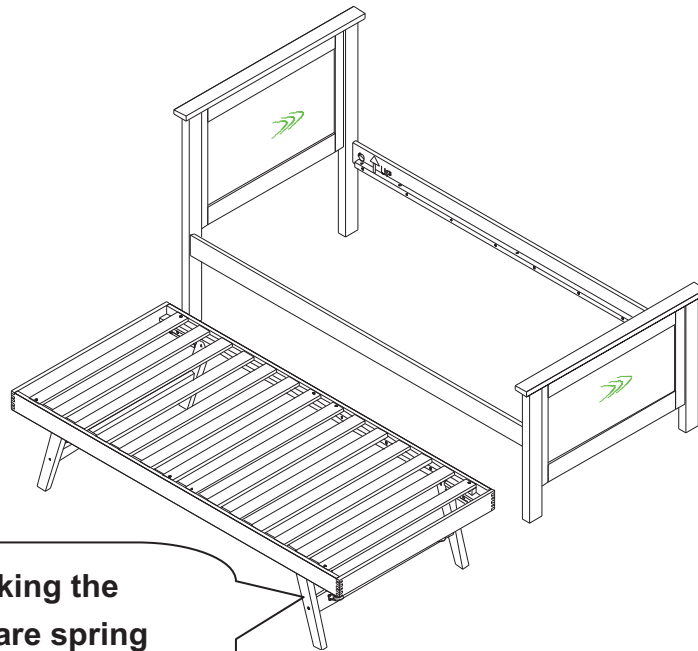




VALENCIA SINGLE BED (GUEST UNIT)

Assembly Instructions



Caution when unpacking the guest unit. The legs are spring loaded and if opened without due care can cause injury.

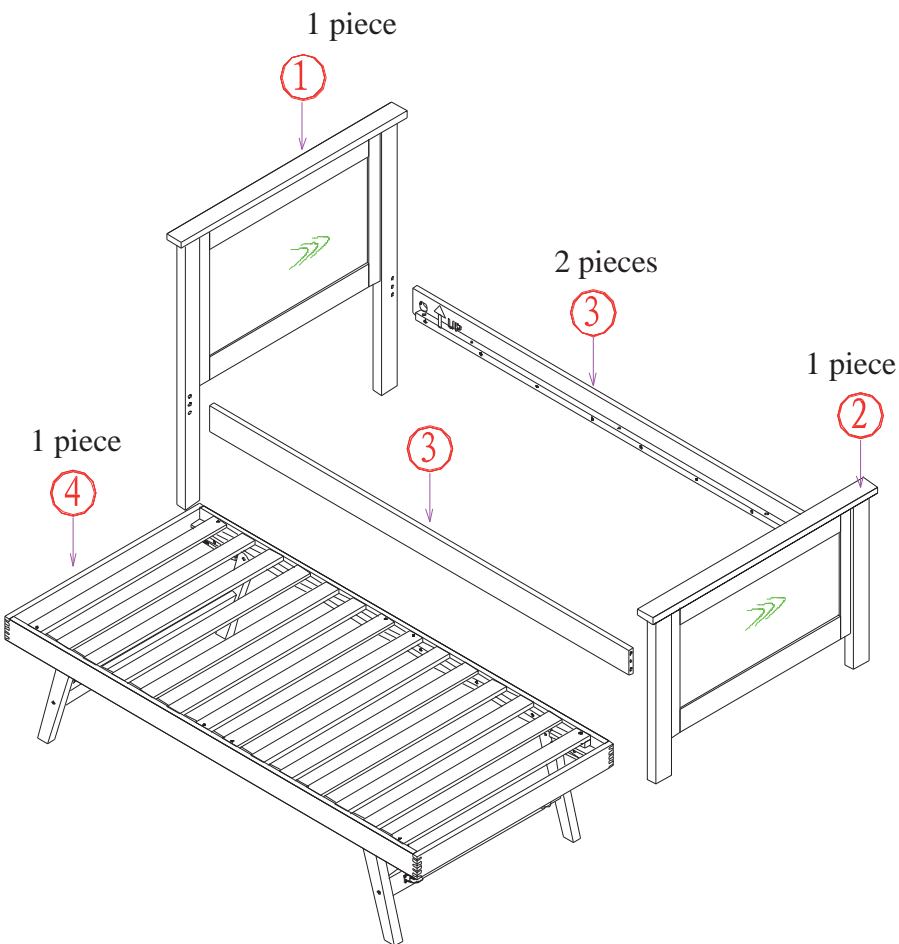
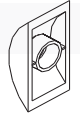


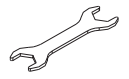
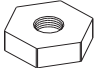

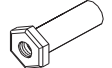
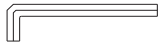
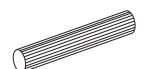
NOTE: It will require two people to assemble this bed. Assembly should be carried out in the room that the bed will be used in.

Before you start, here is some helpful advice

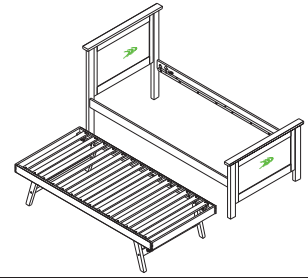
1. We suggest you spend a short time reading through this leaflet and then follow the simple step by step instructions.
2. If you follow the instructions carefully the end result should be worth the effort.
3. Do not discard any of the packaging until you have checked that you have all the parts and the pack of fittings.
4. Assemble this product on a carpet.
5. To ensure an easier assembly, we strongly advise that all fittings are only finger tightened during initial assembly. Only upon completion of the assembly should all fixing points be fully tightened.
6. We recommend a periodic check on all fixing points to make sure they remain fully tightened.
7. Keep glue and fittings out of children's reach.

In the unlikely event that this product has missing or damaged parts, please call 08442 920000 to obtain spares

Component parts and fittings contained in the box

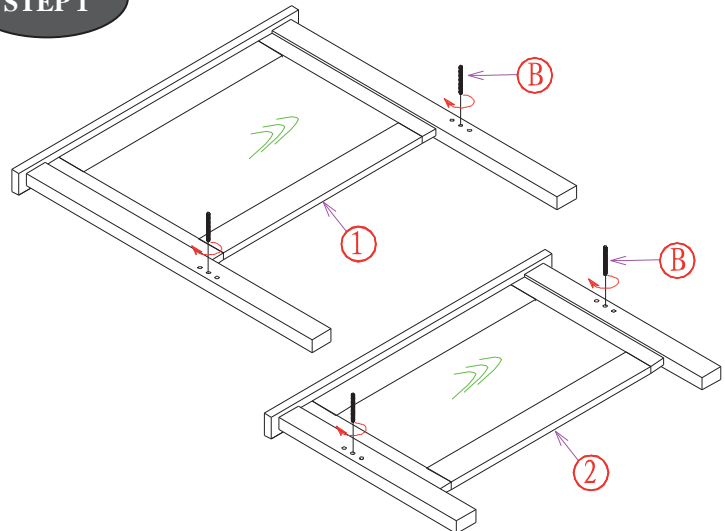
| PARTS | Fittings |
|-----------------------------------------------------------------------------------------------------------------------------------------------------------------|------------------------------------------------------------------------------------------------------------------------------------|
|  <p>1 piece</p> <p>1 piece</p> <p>2 pieces</p> <p>1 piece</p> <p>1 piece</p> | <p>A</p>  <p>Connector 4pcs</p> |
| | <p>B</p>  <p>Connecting bolt 4pcs</p> |
| | <p>C</p>  <p>M6 x35mm 6pcs</p> |
| | <p>D</p>  <p>Spanner 1pc</p> |
| | <p>E</p>  <p>M8 Nut 4pcs</p> |
| | <p>F</p>  <p>Φ8 Spring Washer 4pcs</p> |
| | <p>G</p>  <p>JCN Nut 6pcs</p> |
| | <p>H</p>  <p>4MM Allen key 1pc</p> |
| | <p>I</p>  <p>Φ10x40 Dowel 8pcs</p> |

ASSEMBLY



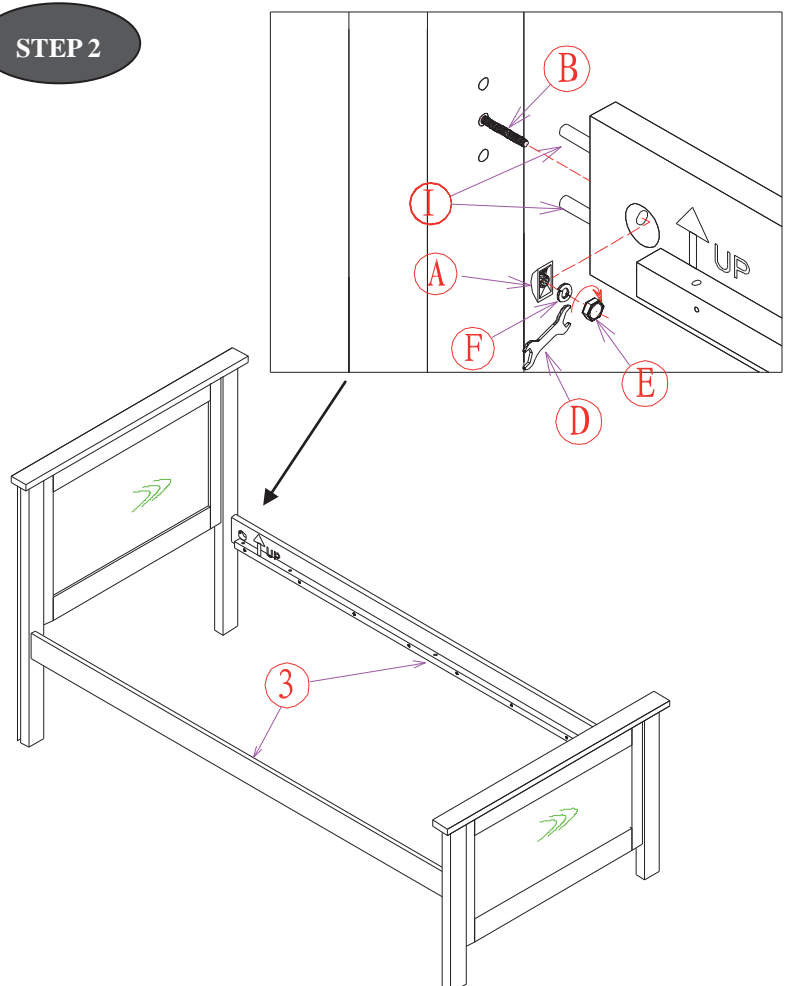
1) Screw the connecting bolt "B" into the headboard "1" and footboard "2".

STEP 1

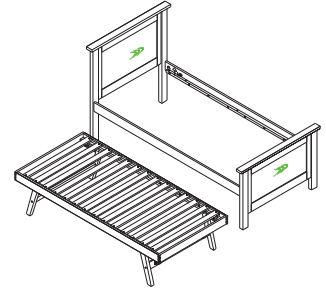


1) Knock the dowels "I" into the holes indicated on the side rail "3".
2) Carefully fit the side rail to the head & footboard.
Use connectors "A", spring washer "F" and Nuts "E" to fix the unit (see inset).

STEP 2

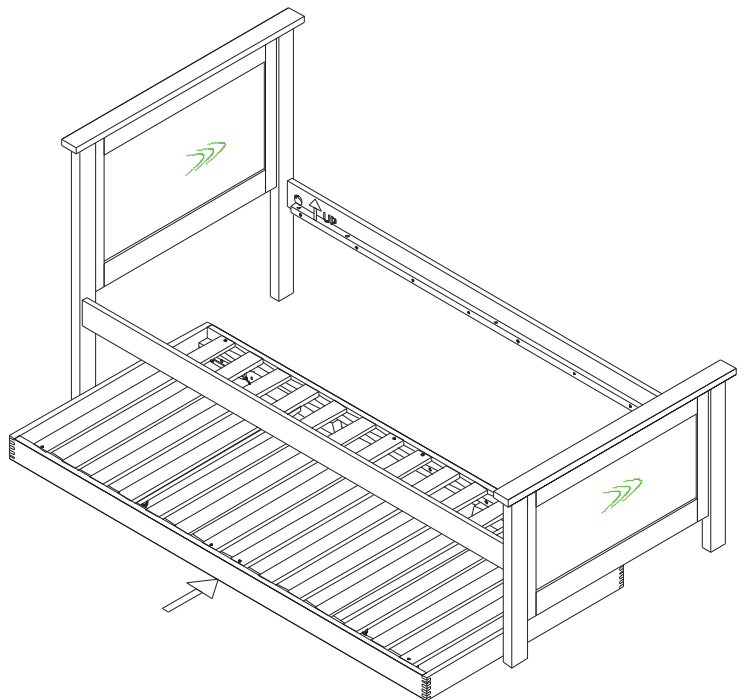
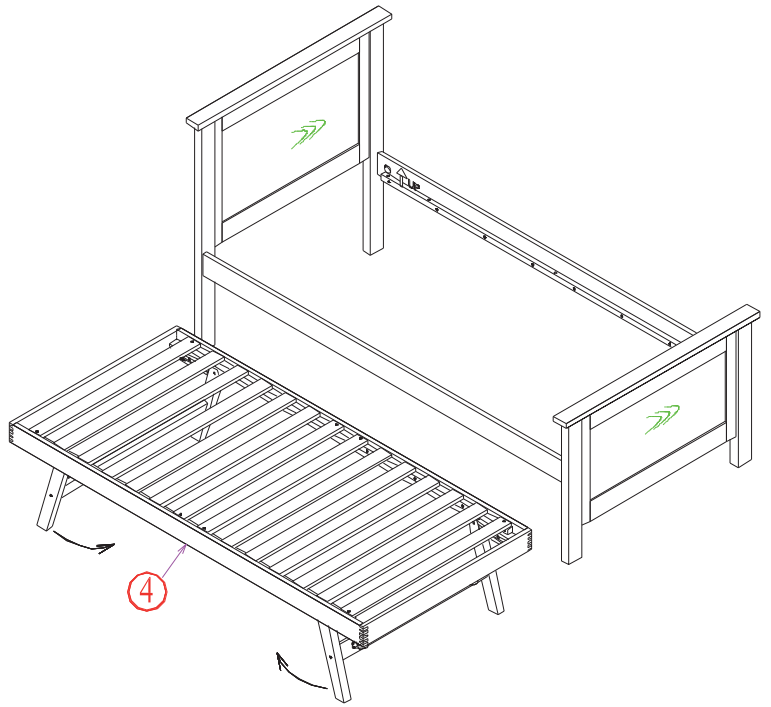


ASSEMBLY

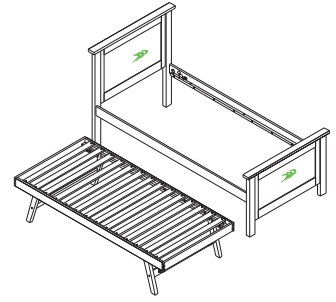


To store the Guest bed under the single bed, first ensure that the legs are retracted, before sliding the Guest bed under the single bed. (see inset)

STEP 3



ASSEMBLY

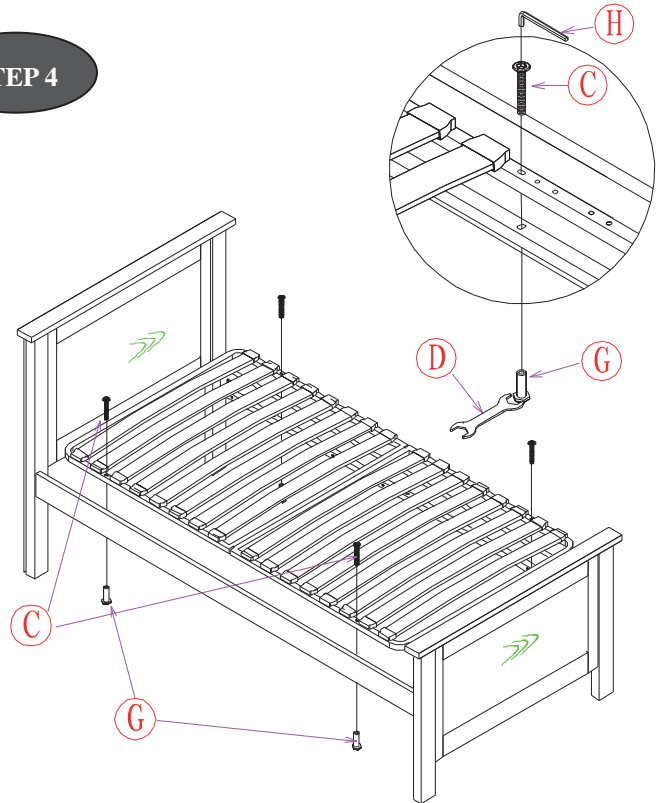


NOTE: Slats not supplied shown for reference only.

Both slats on “step4-5” can be assembled to the bedstead.you can make a choice between the two slats.

- 1) Carefully locate the slats frame onto the bed.
- 2) Use bolt “C” and Jcn nut “G” to fix the slats frame onto the bed.

STEP 4



- 1) Carefully locate the slats frame onto the bed.

- 2) Use bolt “C” and Jcn nut “G” to fix the slats frame onto the bed.

STEP 5

