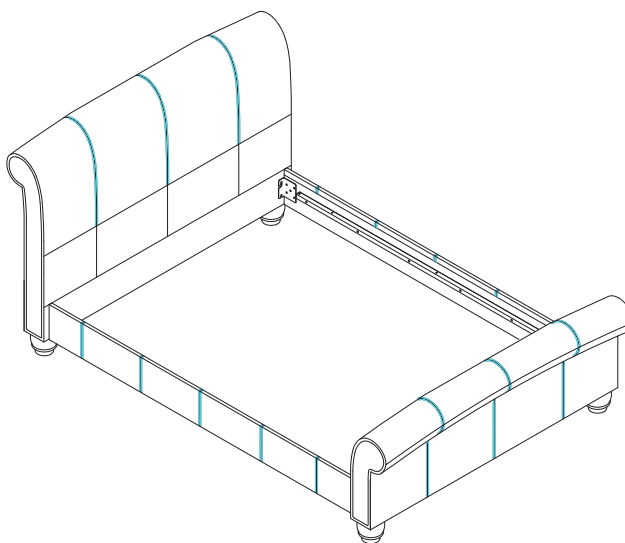




## TREVISO B/S BROWN

# Assembly Instructions



Minimum No. of people recommended to assemble this product.  
Approx assembly time:

2

3/4 hour

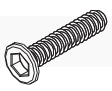
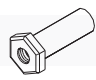



NOTE: It will require two people to assemble this bed. Assembly should be carried out in the room that the bed will be used in.

Before you start, here is some helpful advice

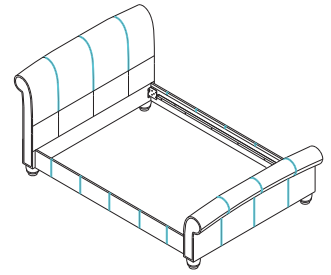
1. We suggest you spend a short time reading through this leaflet and then follow the simple step by step instructions.
2. If you follow the instructions carefully the end result should be worth the effort.
3. Do not discard any of the packaging until you have checked that you have all the parts and the pack of fittings.
4. Assemble this product on a carpet.
5. To ensure an easier assembly, we strongly advise that all fittings are only finger tightened during initial assembly. Only upon completion of the assembly should all fixing points be fully tightened.
6. We recommend a periodic check on all fixing points to make sure they remain fully tightened.
7. Keep glue and fittings out of children's reach.

In the unlikely event that this product has missing or damaged parts, please call 08442 920000 to obtain spares

# Component parts and fittings contained in the box

PARTS	Fittings
<p>1 piece</p> <p>①</p> <p>③ 2pieces</p> <p>③</p> <p>② 1piece</p>	<p><b>A</b></p>  <p>M6 x 35 Bolt    6pcs</p>
	<p><b>B</b></p>  <p>M6 x 22 Jcn Nut    6pcs</p>
	<p><b>C</b></p>  <p>4MM Allen key    1pc</p>
	<p><b>D</b></p>  <p>Spanner    1pc</p>
	<p><b>E</b></p>  <p>5MM Allen key    1pc</p>

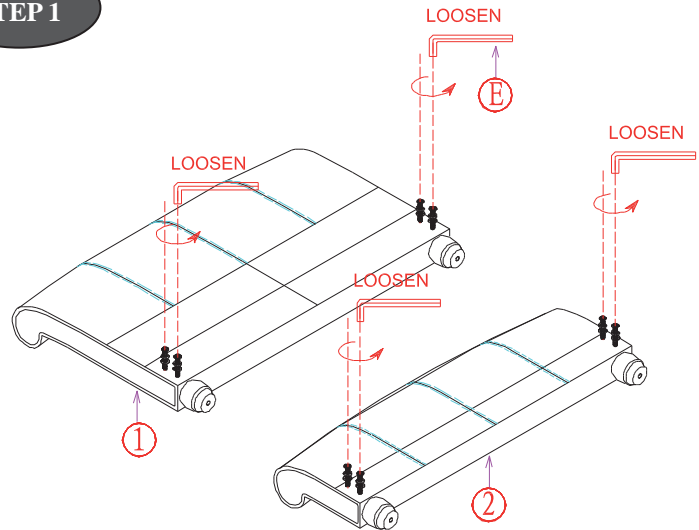
# ASSEMBLY



1) Loosen the bolts from the headboard (1) and footboard (2).

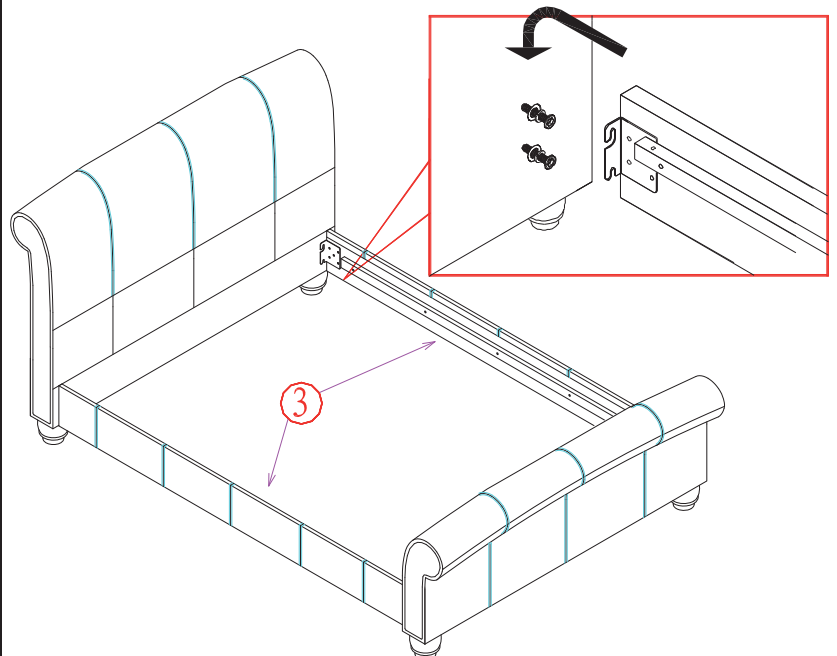
NOTE: Merely loosen the bolts, do not take out.

## STEP 1

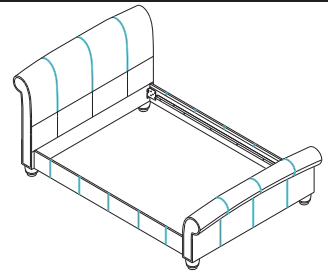


1) Fit the side rail (3) to the head & Footboard (1&2) slotting the pre-fitted brackets together as shown.

## STEP 2



# ASSEMBLY

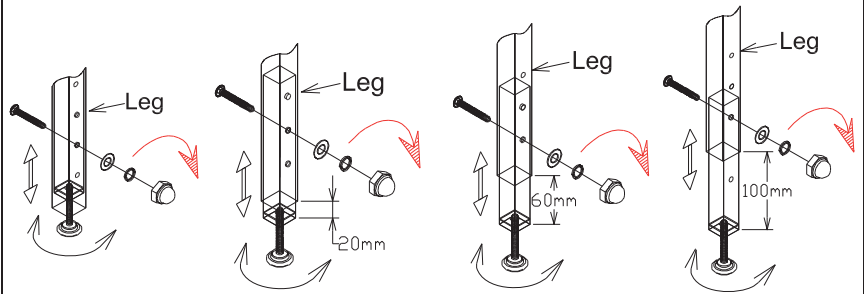


**NOTE: Slats not supplied shown for reference only.**

**Both slats on “step 3---step 6” can be assembled to the bedstead. You can make a choice between the two slats.**

- 1) Support leg height have the four position, you can adjust according to the bed height to choose the right position to fix in the “STEP 3”.
- 2) If need, you can adjust by screwing in or out the support leg leveler at the bottom.

## STEP 3



①

②

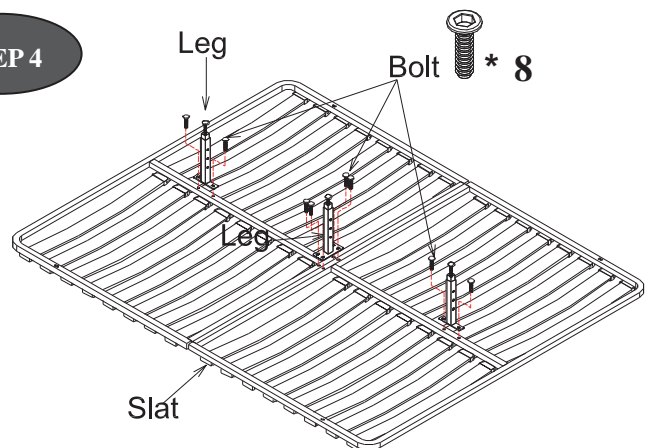
③

④

Select correct height for your bedstead

- 1) Use the bolt (F) to fix the leg (5&6) onto the slats frame (4).

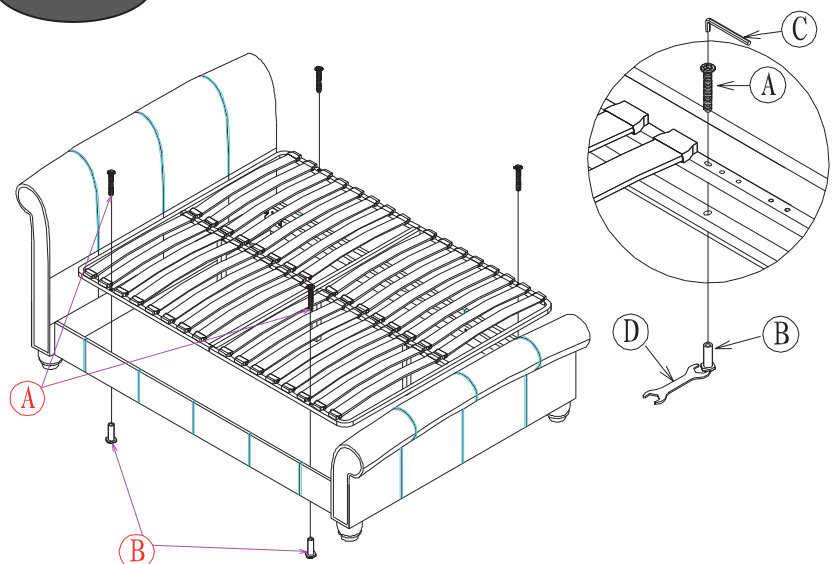
## STEP 4



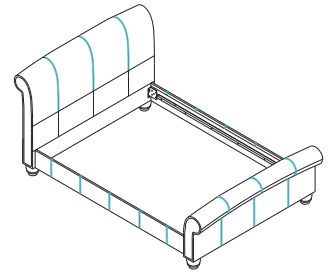
- 1) Carefully locate the slats frame onto the bed.

## STEP 5

- 1) Use bolt (A) and Jcn nut (B) to fix the Slats frame onto the bed.



# ASSEMBLY



1) Carefully locate the slats frame onto the bed.

2) Use bolt (A) and Jcn nut (B) to fix the Slats frame onto the bed.

## STEP 6

