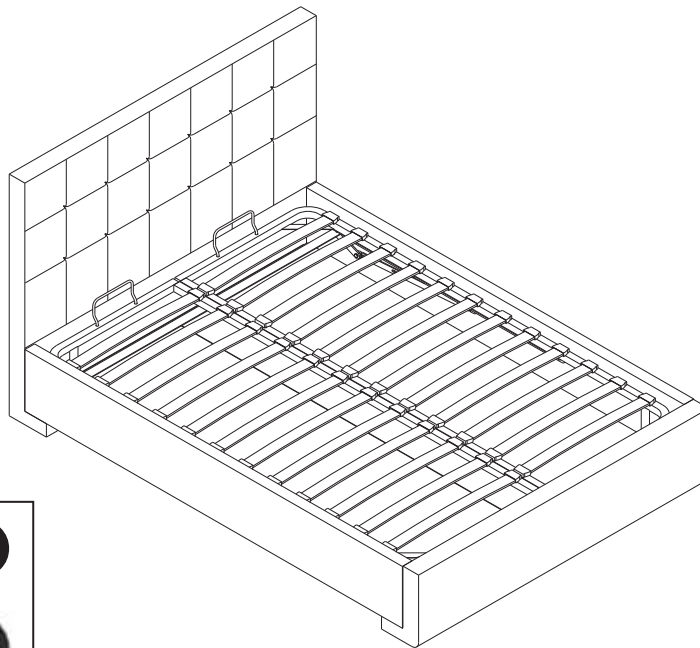




TORONTO BED

Assembly Instructions



Minimum No. of people
recommended to assemble
This product.
Approx assembly time:

2

1/2
hour

NOTE: It will require two people to assemble this bed. Assembly should be carried out in the room that the bed will be used in.

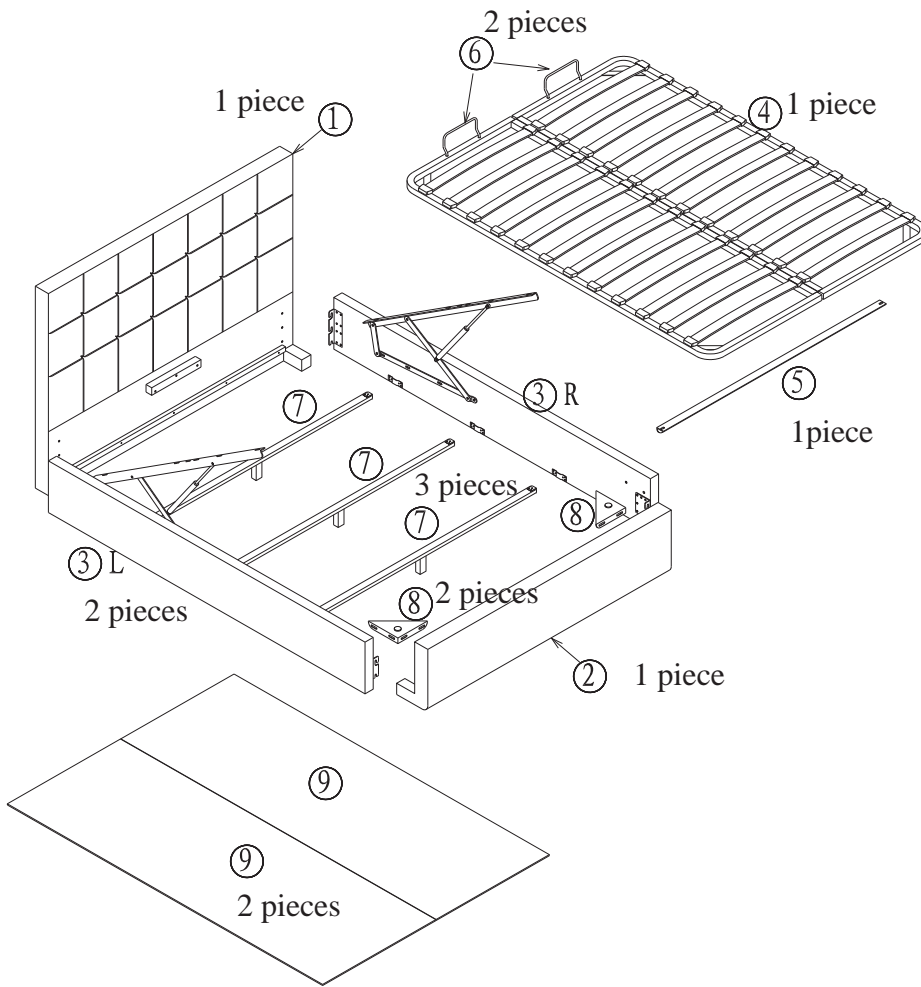
Before you
start, here
is some
helpful advice

1. We suggest you spend a short time reading through this leaflet and then follow the simple step by step instructions.
2. If you follow the instructions carefully the end result should be worth the effort.
3. Do not discard any of the packaging until you have checked that you have all the parts and the pack of fittings.
4. Assemble this product on a carpet.
5. To ensure an easier assembly, we strongly advise that all fittings are only finger tightened during initial assembly. Only upon completion of the assembly should all fixing points be fully tightened.
6. We recommend a periodic check on all fixing points to make sure they remain fully tightened.
7. Keep glue and fittings out of children's reach.

In the unlikely event that this product has missing or damaged parts, please call 08442 920000 to obtain spares

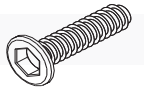
Component parts and fittings contained in the box

PARTS



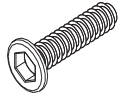
Fittings

A



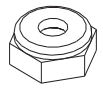
M8 x 35 8pcs

B



M8 x 20 10pcs

C



Nut 2pcs

D



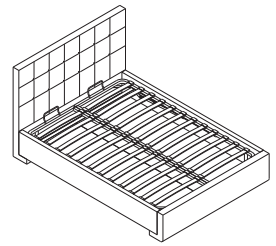
5MM Allen key 1pc

E



Spanner 1pc

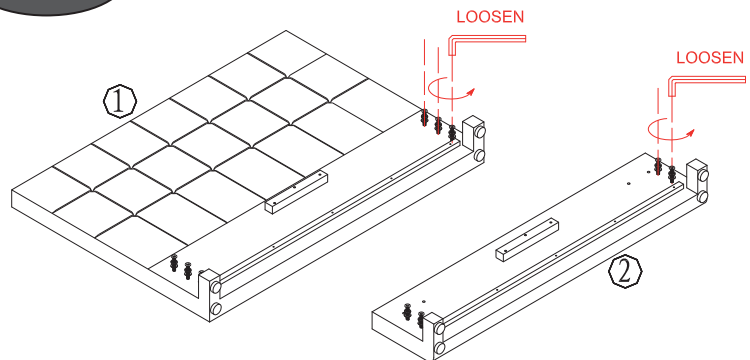
ASSEMBLY



1) Loosen the bolts from the head/foot board (1&2)

NOTE: Merely loosen the bolts, do not take out.

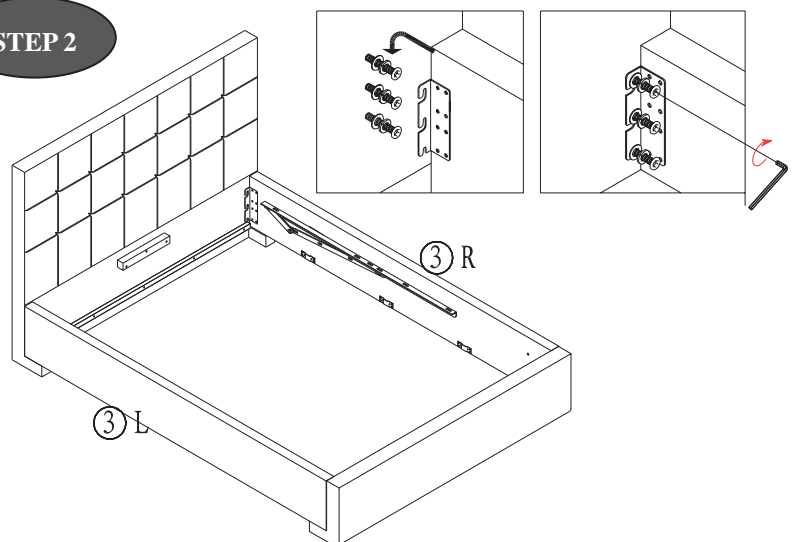
STEP 1



1) Carefully fit the side rails(3) to the headboard and footboard. (See inset).

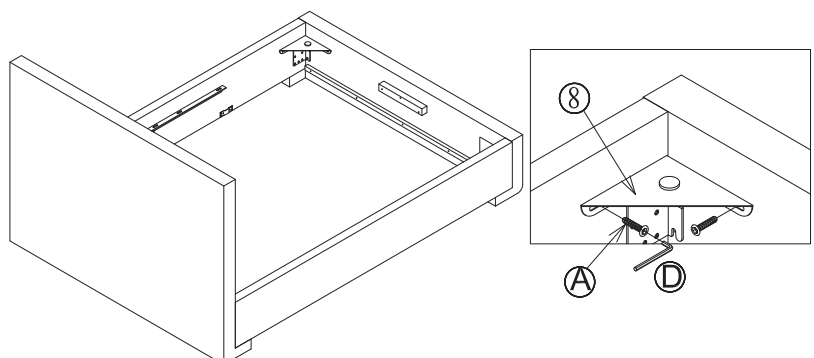
2) Then tighten all the bolts using the Allen key (D)

STEP 2

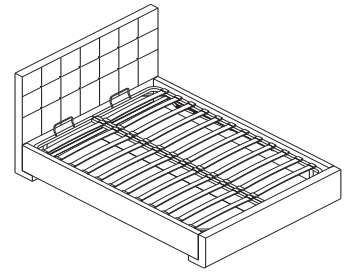


1) Use Bolts (A) fix the Plate (8) onto side rail and footboard.

STEP 3

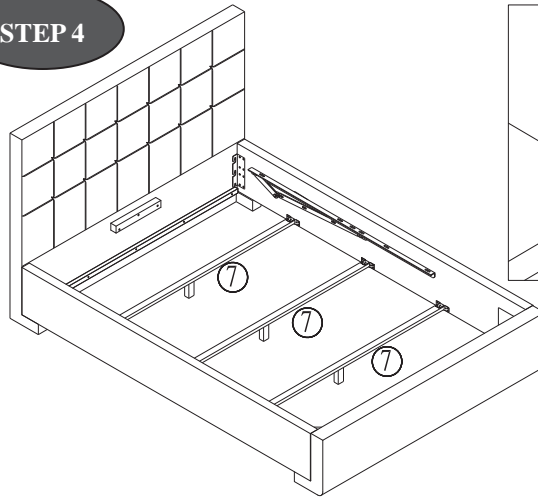


ASSEMBLY



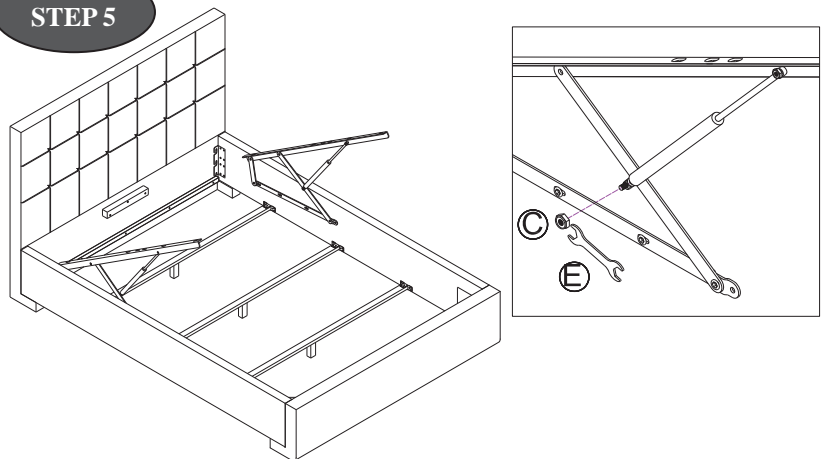
1) Carefully locate the Center rails(7) onto the unit.

STEP 4



1) Screw the Nut (C) onto the piston bracket .

STEP 5

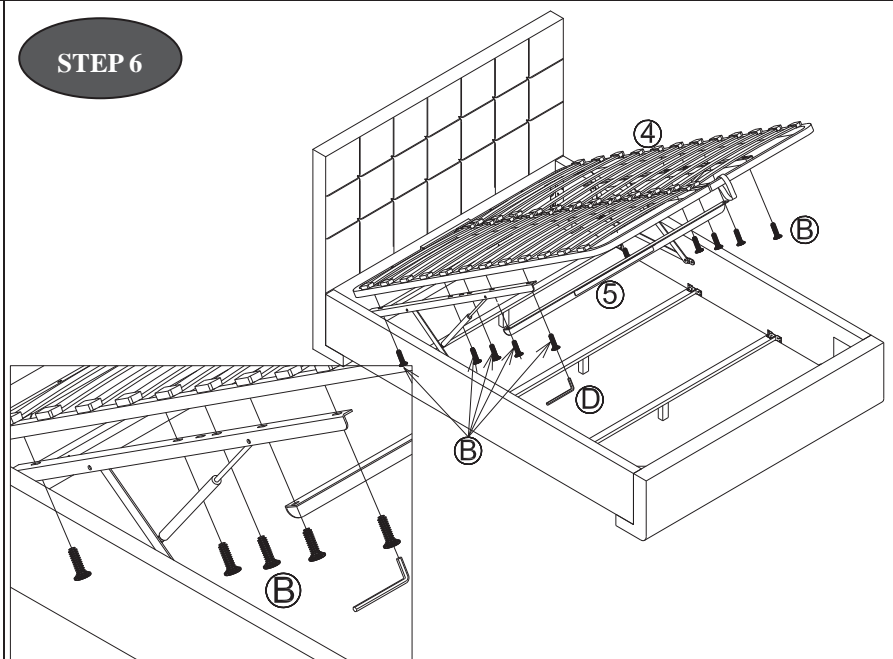


1) Use the bolts (B) to fix the slat frame and support rail onto the piston bracket .

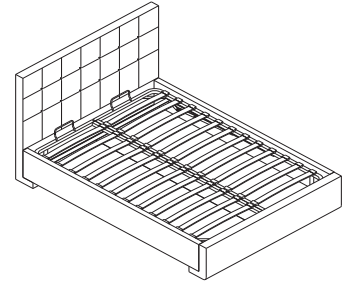
NOTE: It is very important that this support rail is fitted.

The bolt (B) must be fixed on center position of the piston bracket.

STEP 6

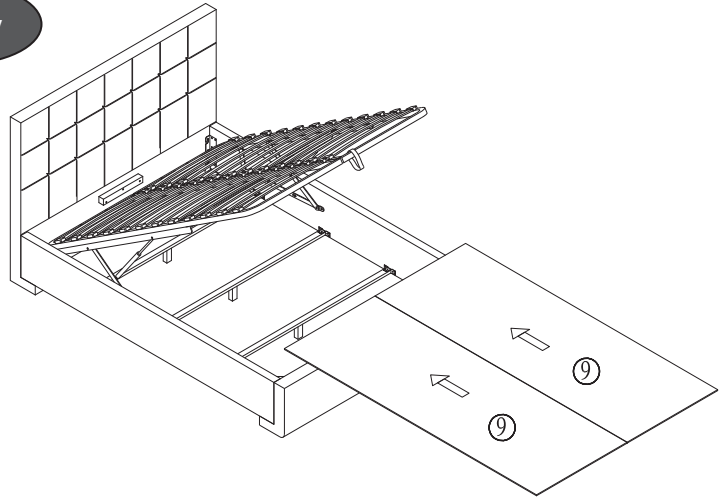


ASSEMBLY



1) Carefully locate the panel (9) into the unit.

STEP 7



1) Insert parts (6) into the holes indicated on the slat frame.

STEP 8

