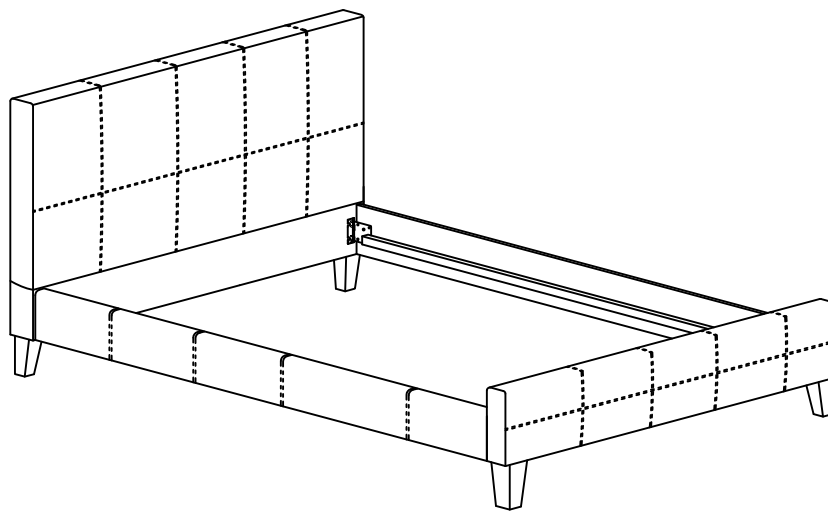




**TORINO**

**(KING AND SUPERKING)**

## Assembly Instructions



Minimum No. of people  
recommended to assemble  
this product :

2

Approx assembly time :

1/2  
hour

### **Before you Start, here is some helpful advice**

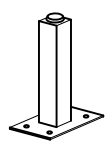
1. We suggest you spend a short time reading through this leaflet and then follow the simple step by step instructions.
2. If you follow the instructions carefully the end result should be worth the effort.
3. Do not discard any of the packaging until you have checked that you have all the parts and the pack of fittings.
4. Assemble this product on a carpet.
5. To ensure an easier assembly, we strongly advise that all fittings are only finger tightened during initial assembly. Only upon completion of the assembly should all fixing points be fully tightened.
6. We recommend a periodic check on all fixing points to make sure they remain fully tightened, so please SAVE YOUR ALLEN KEY.
7. Keep any glue and fittings out of children's reach.

In the unlikely event that this product has missing or damaged parts,  
please call 0870 3333 612 to obtain spares

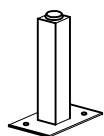
# Component parts and fittings contained in the box

|                     |                      |                     |                      |                |
|---------------------|----------------------|---------------------|----------------------|----------------|
|                     |                      |                     |                      |                |
| ① Headboard (1pc)   | ② Footboard (1pc)    | ③ Side Rails (2pcs) | ④ Feet (4pcs)        |                |
|                     |                      |                     |                      |                |
| ⑤ Bolts (4pcs) (m8) | ⑥ Washer (4pcs) (m8) | ⑦ Feet stopper      | ⑧ Bolts (m6)         |                |
|                     |                      |                     |                      |                |
| ⑨ Bolts (m6)        | ⑩ Washer (4pcs) (m6) | ⑪ Allen Key (2pcs)  | ⑫ Washer (4pcs) (m8) | ⑬ Screw (6pcs) |

Note : The following fittings will be found in the box which contains the Slat Frame, NOT with the rest of Assembly Kit



⑬ Central Support leg (1pc)



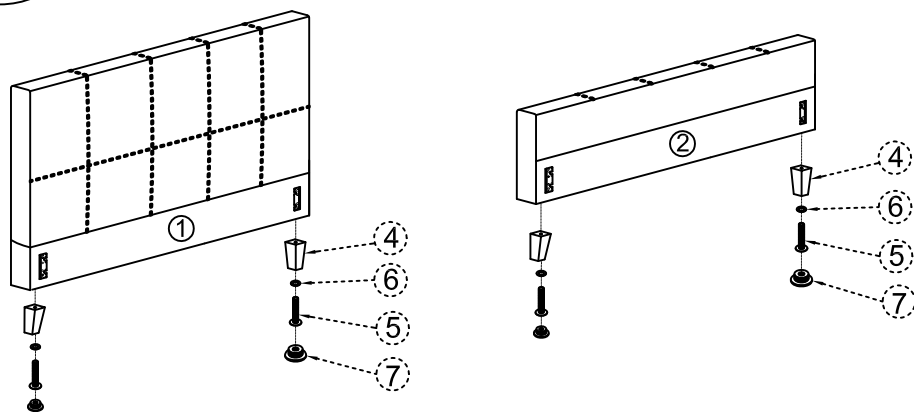
⑭ Side Support leg (2pcs)



⑮ Leg securing Bolts (8pcs)

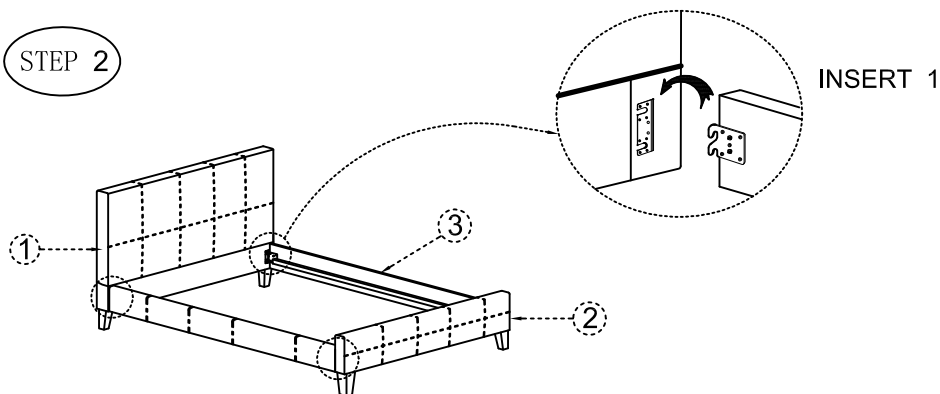
## ASSEMBLY

### STEP 1



Assemble the feet to the headboard (1) and footboard (2) with washer (6) and bolts (5), followed by the feet stopper (7).

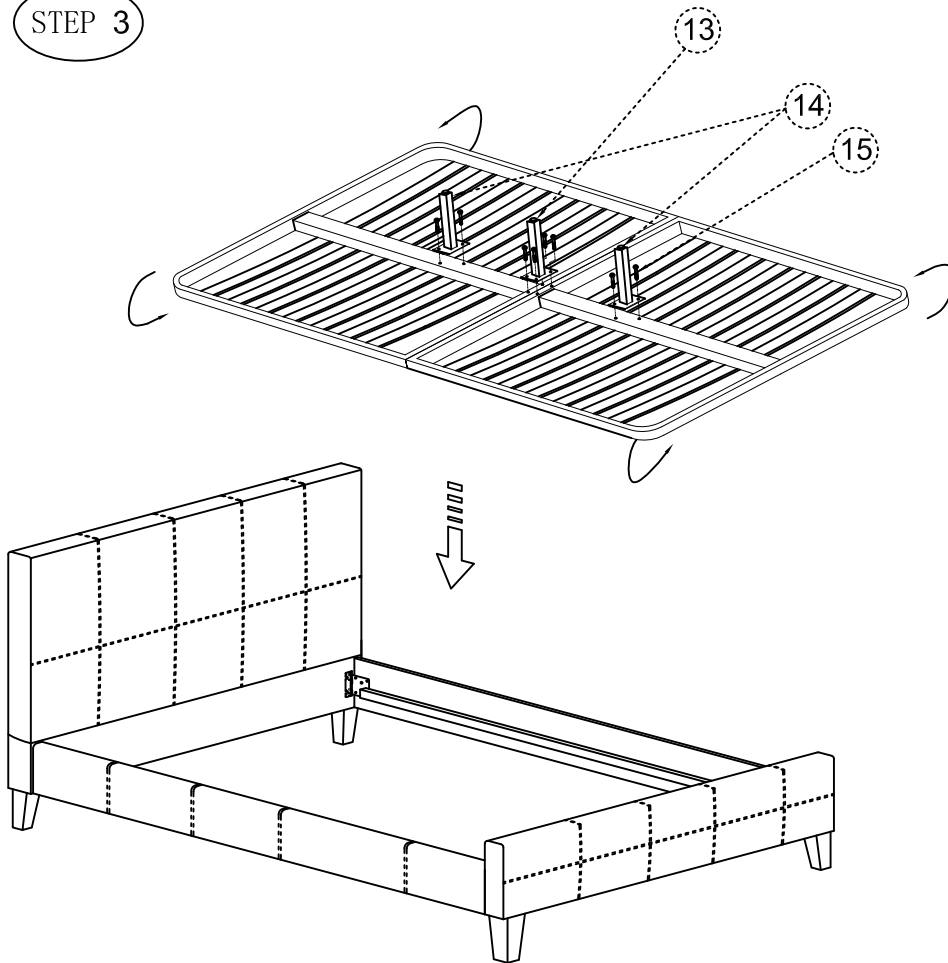
### STEP 2



Slide the hooks on the side rails (3) into the slots located on the headboard (1) and footboard (2). Press down until they click to secure (see insert 1).

# ASSEMBLY

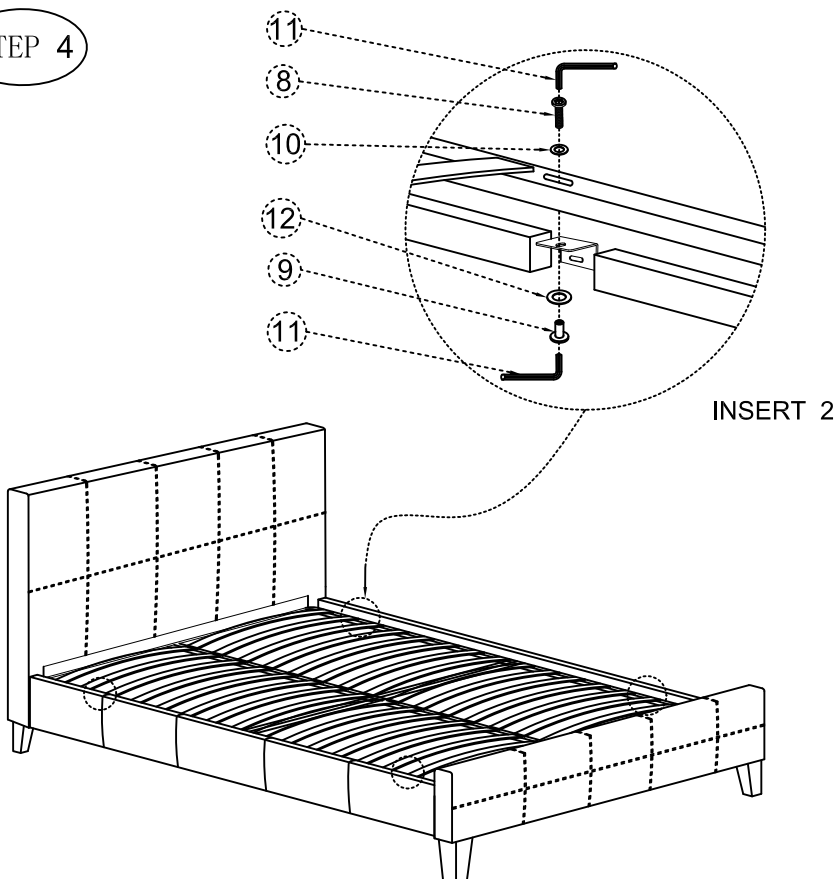
STEP 3



## DREAMS SPRUNG SLAT SYSTEM

Open the metal slat frame outwards. Attach central and side support legs (13 and 14) to the frame and secure using bolts (15). Tighten using Allen key (11). Carefully lower the slat frame into the bed, with slats facing upwards. Ensure that the frame sits on the guides located on the side rails (3).

STEP 4



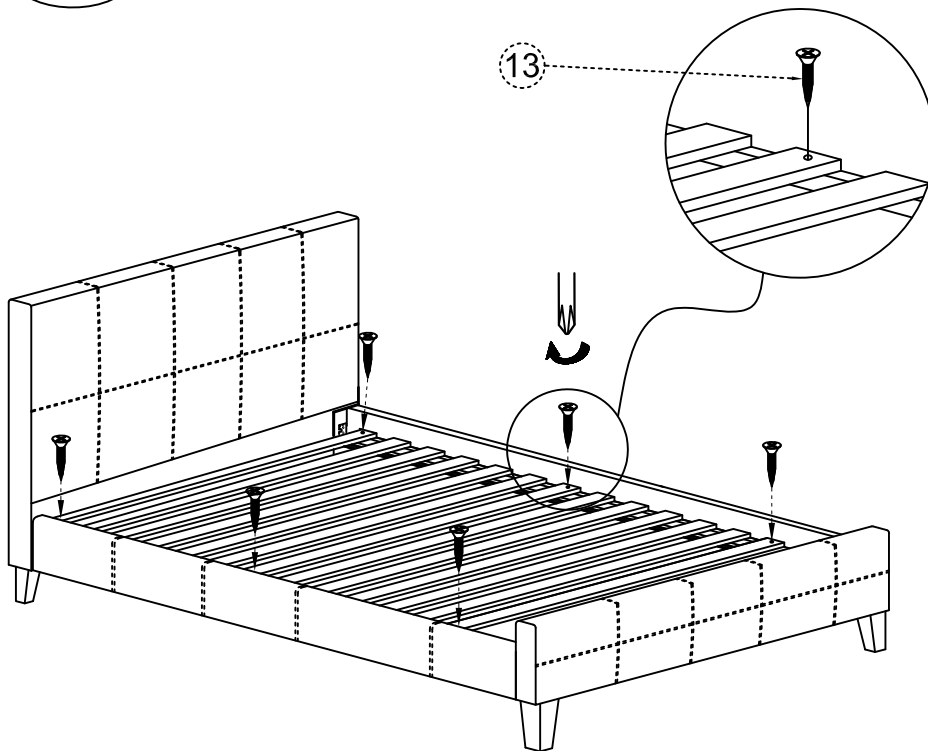
## DREAMS SPRUNG SLAT SYSTEM

Position the slat frame so that the holes in the frame align with those in the side rails (3). Secure the frame to the side rails (3) by threading bolt (8) through washer (10) and through the holes in the frame and the side rails (3). Finally, tighten bolt (9) with Allen Key (11). (See Insert 2)

# ASSEMBLY

STEP 3

INSERT 3



## DREAMS FIXED WOOD SLAT SYSTEM

Position the solid wood slat so that the holes in the slats align with those in the side rails (3). Secure the solid wood slats to the side rails (3) by threading screw (13). Finally, tighten screw (13) using a screwdriver into the side rails (3). (See Insert 3)

# AFTER CARE

1. To clean your bed, use a soft cloth moistened in lukewarm solution of soap and water
2. You will need to tighten the assembly screws, etc, periodically
3. Keep away from direct sunlight
4. Don't stand on wooden slats