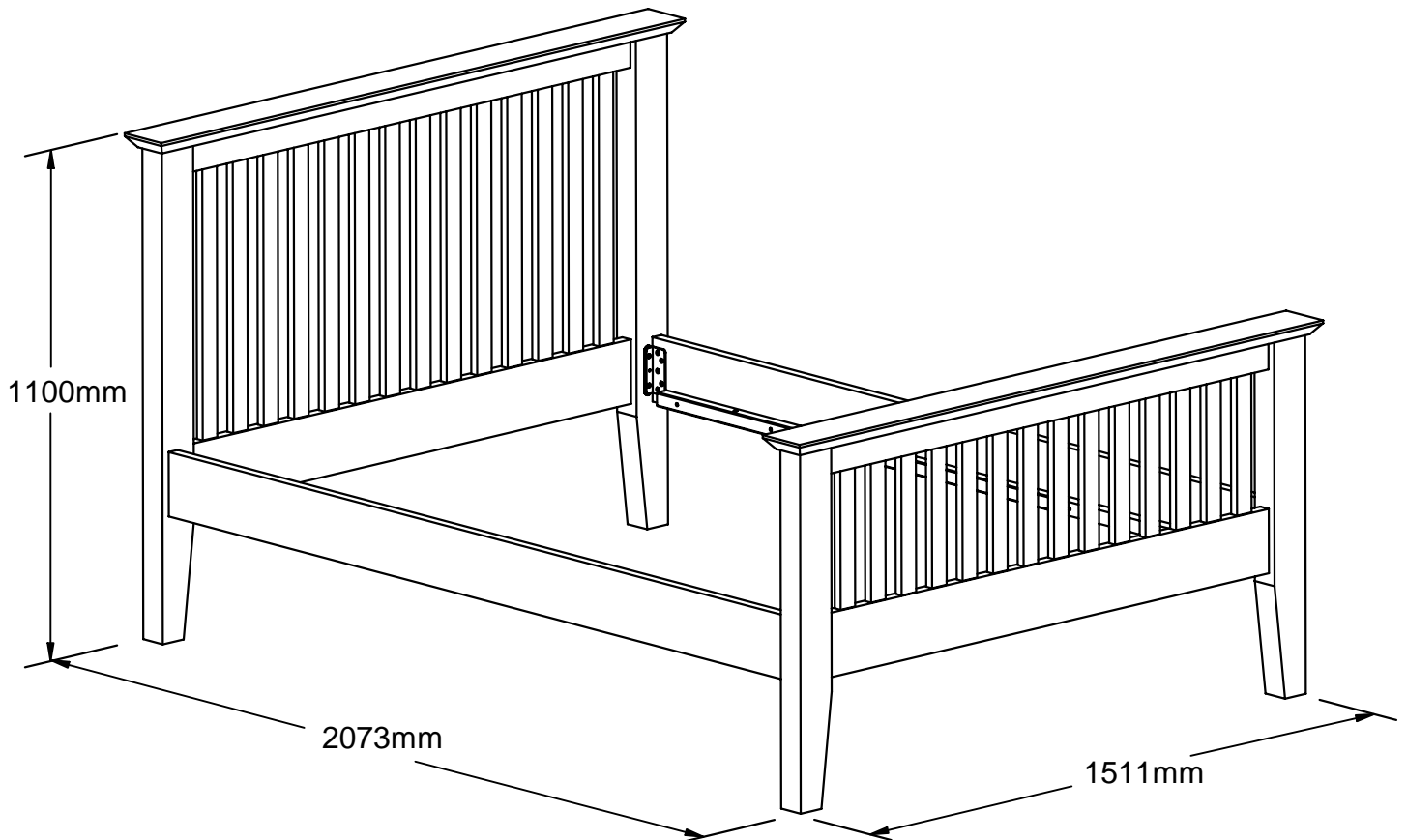




SUSANNAH 4'6

Assembly Instructions

Date: 27-03-2008



Do not throw away any of the packing or the instruction book until you have checked all the components and fittings and the furniture is fully assembled.

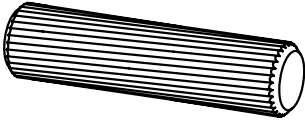
In the unlikely event that this product has missing or damaged parts, please call 0870 3333 612 to obtain spares.

Components parts and fittings contained in the box

Please sort out all parts before you begin to assemble the item. This to make sure you always use the correct part.

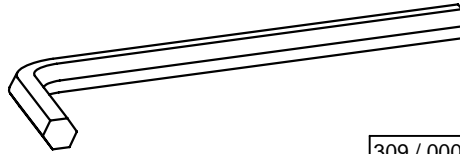
Fittings

A 8 pcs. Dowel - Ø10 x 40mm



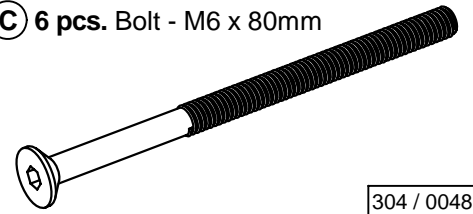
305 / 0003

B 1 pc. Allen key - 4mm



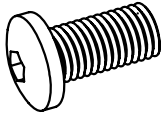
309 / 0002

C 6 pcs. Bolt - M6 x 80mm



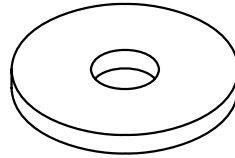
304 / 0048

D 8 pcs. - Bolt M8 x 15 mm



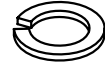
304 / 0047

E 6 pcs. - Flat Washer Ø6 x Ø20mm



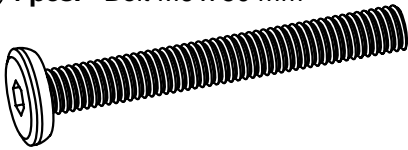
409 / 0005

F 4 pcs. - Lock Washer Ø8 x Ø12mm



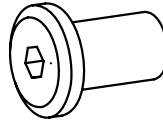
409 / 0006

G 4 pcs. - Bolt M6 x 50 mm



304 / 0055

H 4 pcs. - Sleeve Nut M6 x 15 mm



408 / 0003

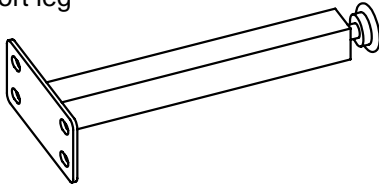
I 6 pcs. - Screw Ø4 x 40mm



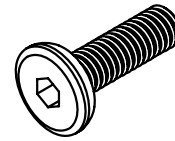
302 / 0014

Note: The following fittings will be found in the box which contains the Sprung Frame, NOT with the bed frames Assembly Kit.

J 1 pc. - Support leg



L 4 pcs. - Bolt M6 x 12mm



Hazard Warning !

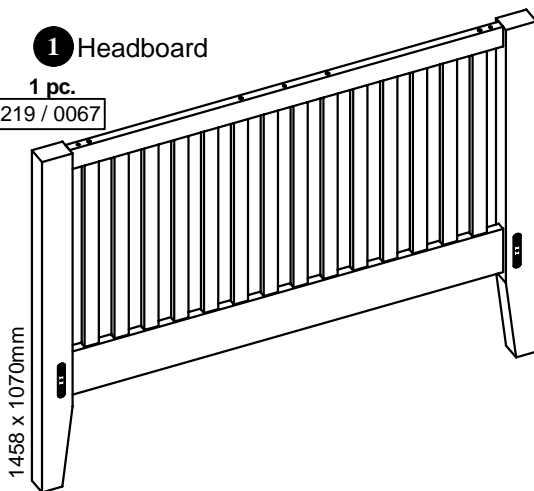
Keep small components out of the reach of children.

Parts

1 Headboard

1 pc.

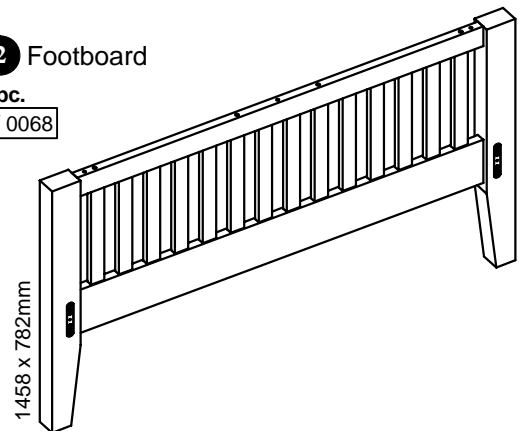
219 / 0067



2 Footboard

1 pc.

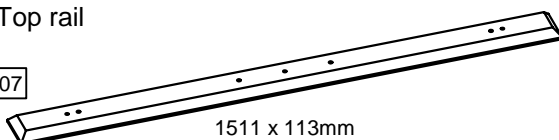
219 / 0068



3 Top rail

2 pcs.

114 / 0207

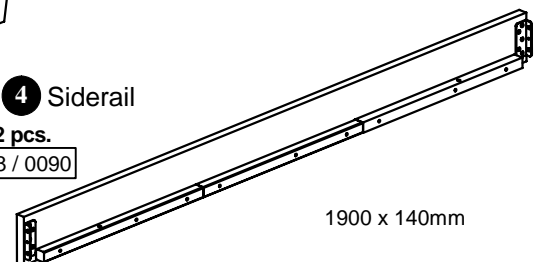


1511 x 113mm

4 Siderail

2 pcs.

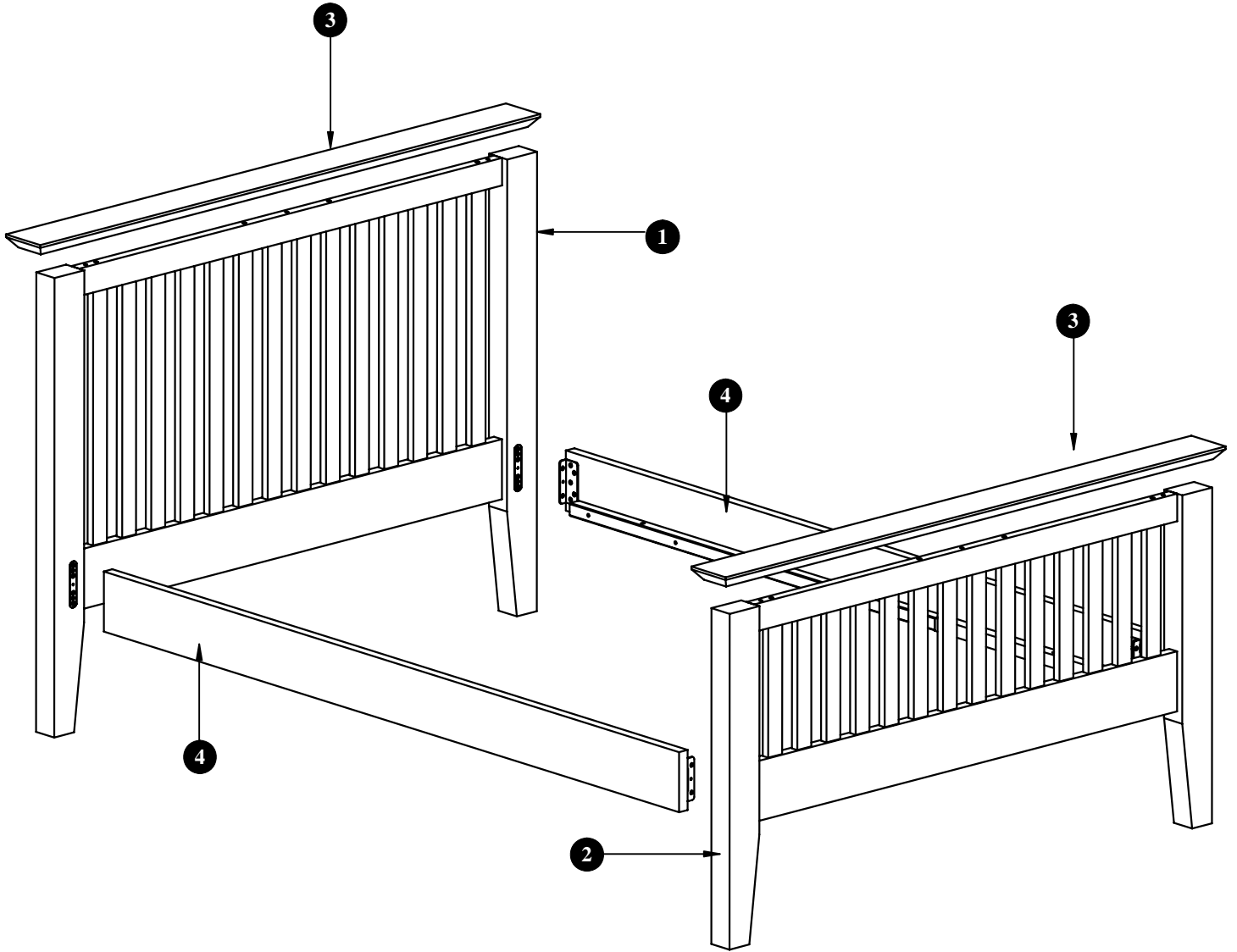
108 / 0090



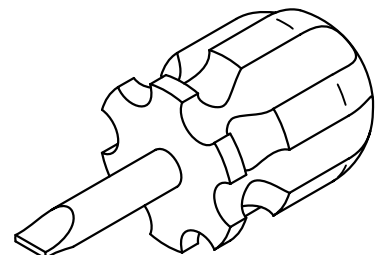
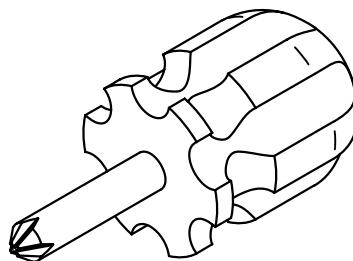
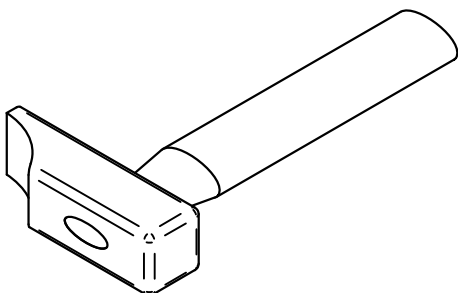
1900 x 140mm

Key diagram and tools needed.

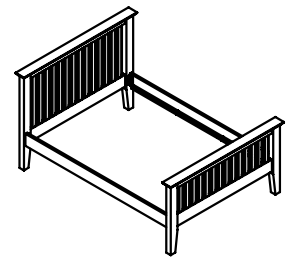
Key diagram.



Tools needed.



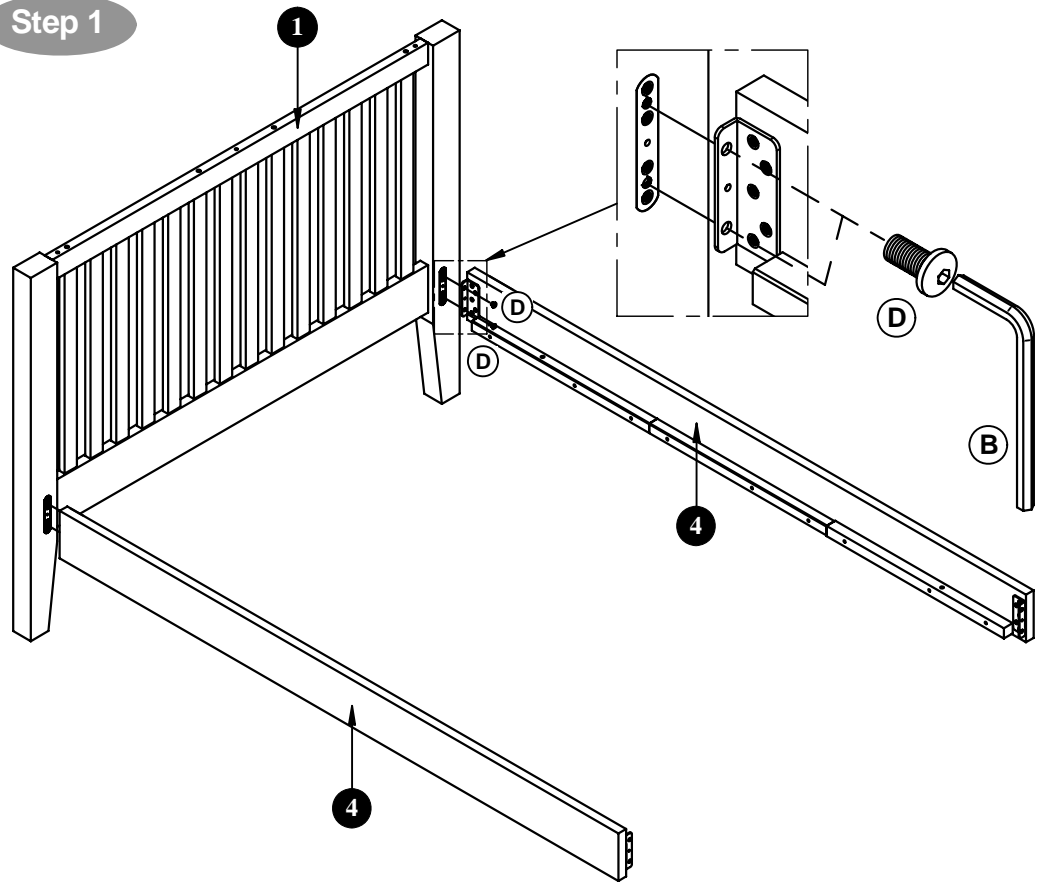
Assembly



Fix the siderails "4" to the headboard "1" using bolts "D" as shown.

Tighten the bolts using the allen key "B".

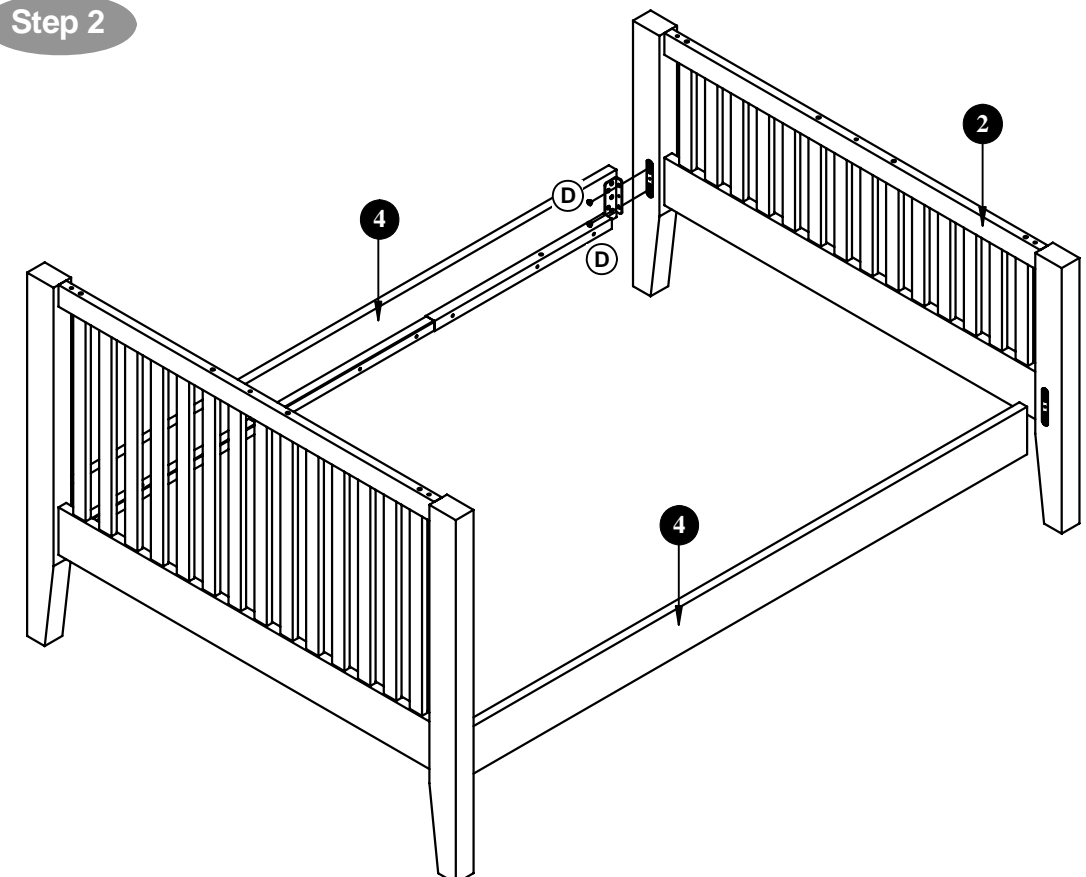
Step 1



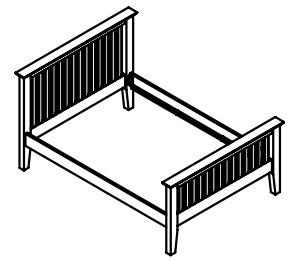
Fix the footboard "2" to the siderail using bolts "D" as shown.

Tighten the bolts using the allen key "B".

Step 2

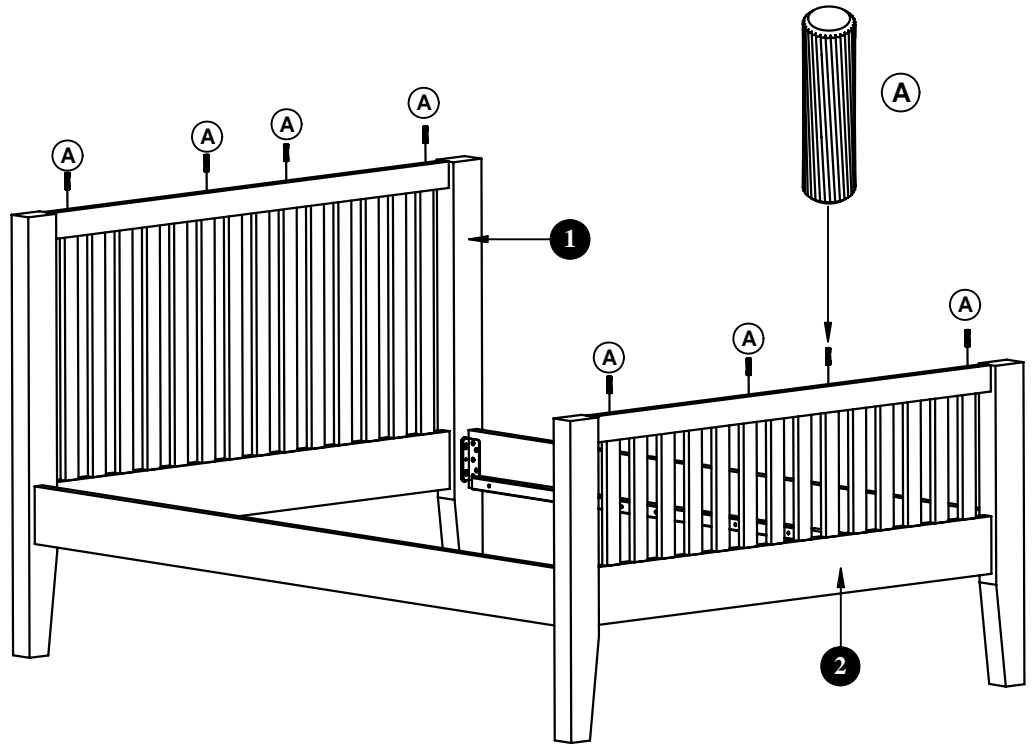


Assembly



Knock the dowels "A" into the headboard "1" and the footboard "2" as shown.

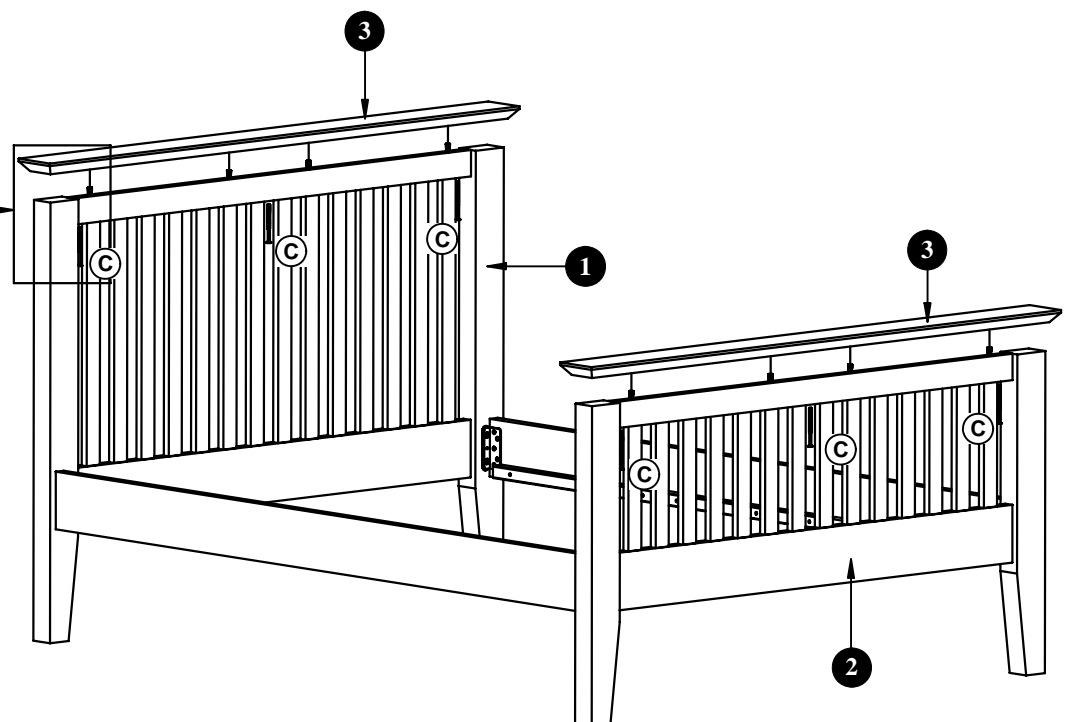
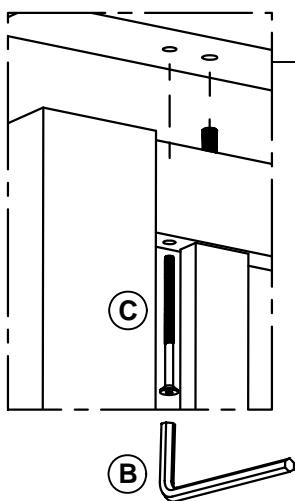
Step 3



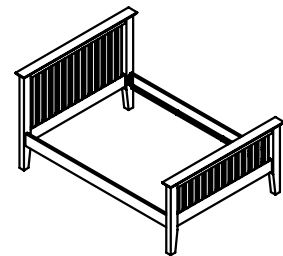
Press the top rails "3" onto the headboard "1" and the footboard "2".

Step 4

Fix them using the screws "C" and the allen key "B".



Assembly



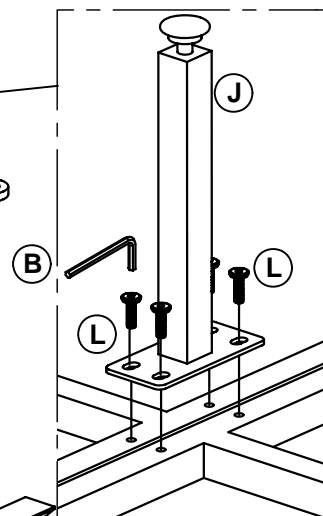
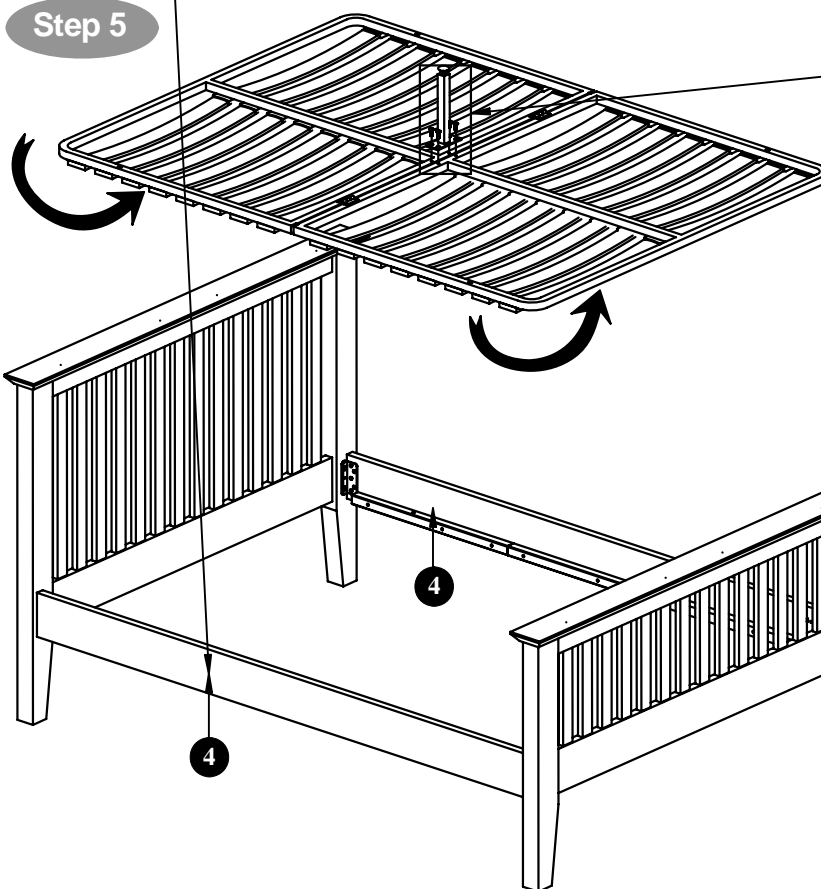
DREAMS SPRUNG SLAT SYSTEM

Step 5

Open the metal Slat Frame outwards. Attach Support Leg "J" to the frame and secure using bolts "L". Tighten using Allen Key "B".

Turn the metal Slat Frame falling upward and carefully lower the Slat frame into the bed.

Ensure that the frame sits on the guides located on the Side Rails "4".

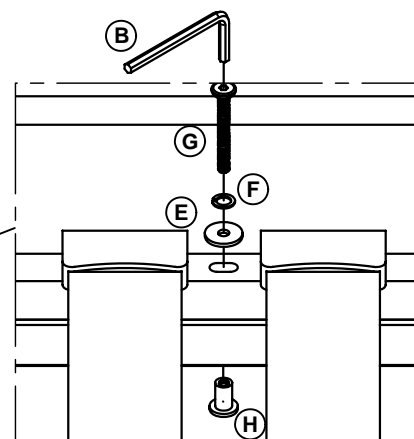
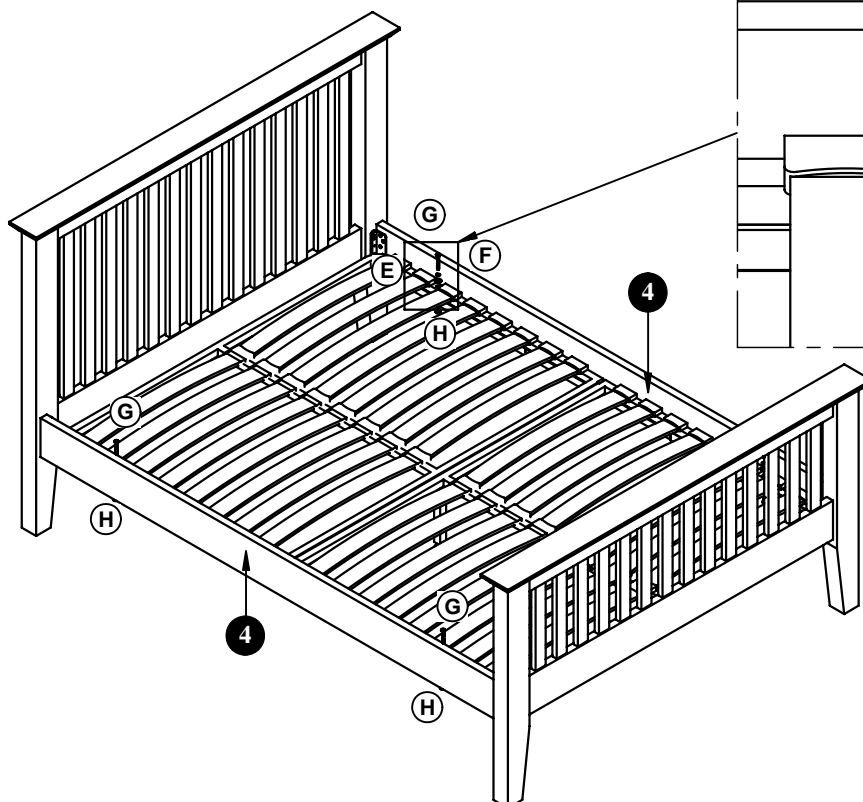


DREAMS SPRUNG SLAT SYSTEM

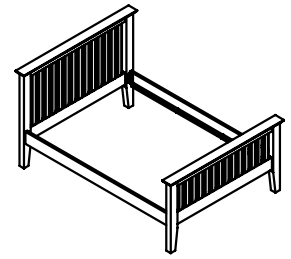
Step 6

Position the Slat Frame so that the holes in the Frame align with those in the Side Rails "4". Secure the Frame to the Side Rails "4" by threading Bolt "G" through Lock Washer "F" and Washer "E" and through the holes in the frame and the Side Rails "4".

Finally, tighten the Bolt "G" into the sleeve nut "H" from the top of slat frame.



Assembly

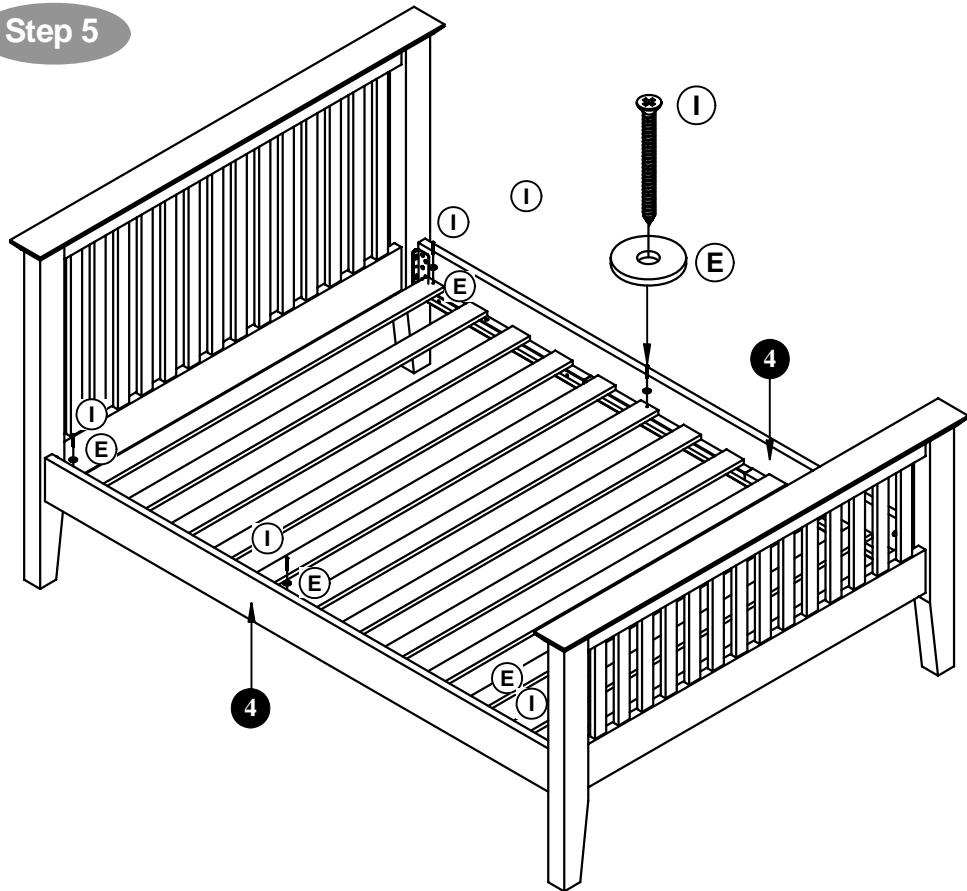


FIXED WOOD SLATS

Place the Fixed Wood Slats onto the slatholders on siderail "4".

Fix the slats at both ends and the middle using screws "I" and washer "E". Total of six screws and washers.

Step 5



Dear customer.

Please note that the product you have purchased is a natural living timber.

Just like nature itself, wood varies in shape and colour. Knots, vein patterns, resin pockets and colour differences contribute to giving the piece of furniture its beauty and form a natural part of solid wood.

Although the tree has been cut down and dried, it is still alive and therefore will react to high and low temperatures, light, humidity, drought and time.

In cold and dry periods, the wood contracts which may lead to small cracks in the piece of furniture. The reverse happens in warm and humid periods where the wood expands and this may result in slight unevenness.

The colour of the wood also changes with time, particularly if the furniture is placed in a light place. This is a natural process and part of owning a piece of furniture made of solid wood.

Any flexing that has occurred during transport will re-correct itself once this product is correctly assembled.

Tighten all joints of furniture after six months. Please keep these instructions in a safe place for future use.