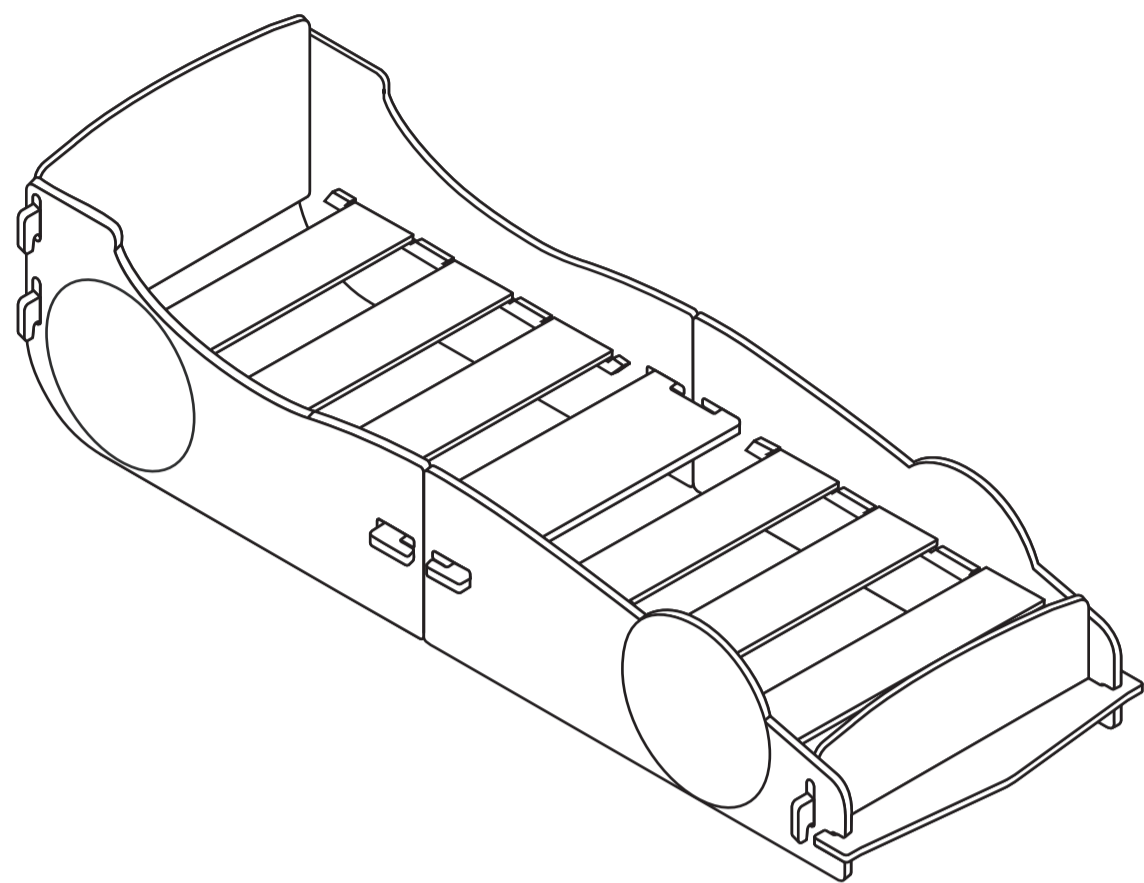




Follow us on
facebook
www.facebook.com/kidsaw



SPEED RACER SINGLE BED ASSEMBLY INSTRUCTION

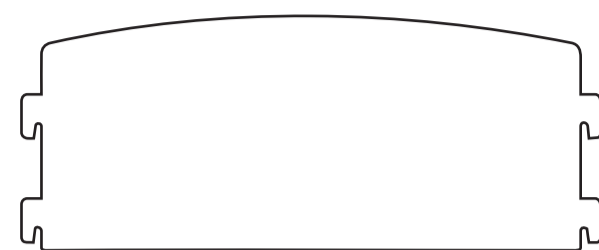
WWW.KIDSAW.CO.UK

A MEMBER OF
ACID
ANTI COPYING IN DESIGN

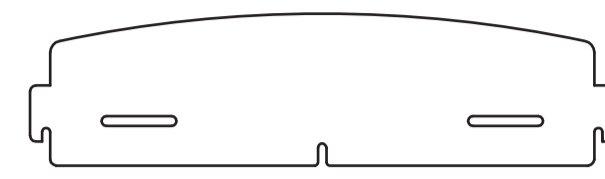
All copyright, design rights and intellectual property rights existing in our designs and products and in the images, text and design of our website / marketing material are and will remain the property of Kidsaw Limited. We will treat any infringement of these rights seriously.

Single bed-ASSEMBLY INSTRUCTIONS-1

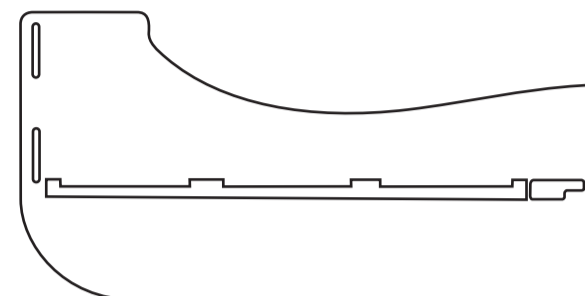
A) List of parts



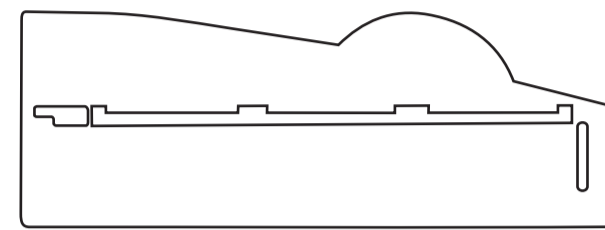
A) Headboard



B) Footboard



C) Front Side Rails x2



D) Back Side Rails x2



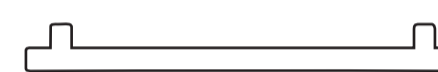
E) Central Support



F) Slats x6



G) Front Shelf



H) T-Lock



J) Dowels x4



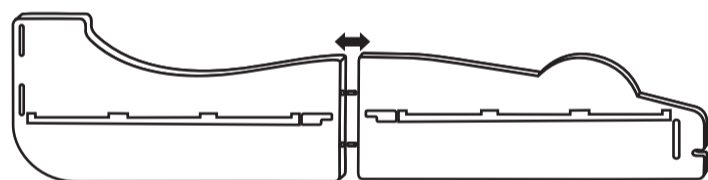
K) Screws x12



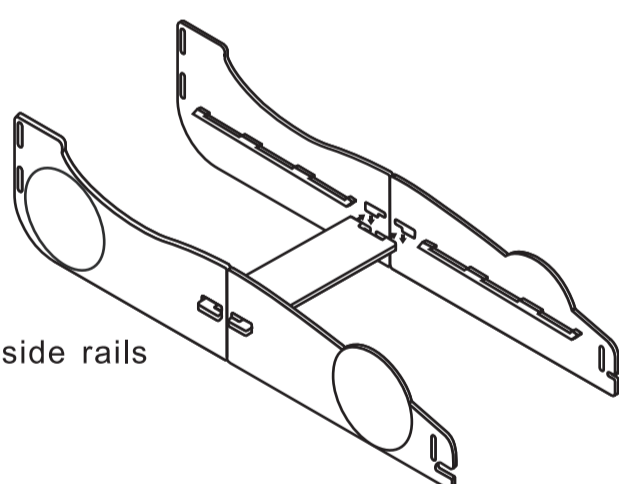
L) Support To Footboard

Single bed-ASSEMBLY INSTRUCTIONS-1

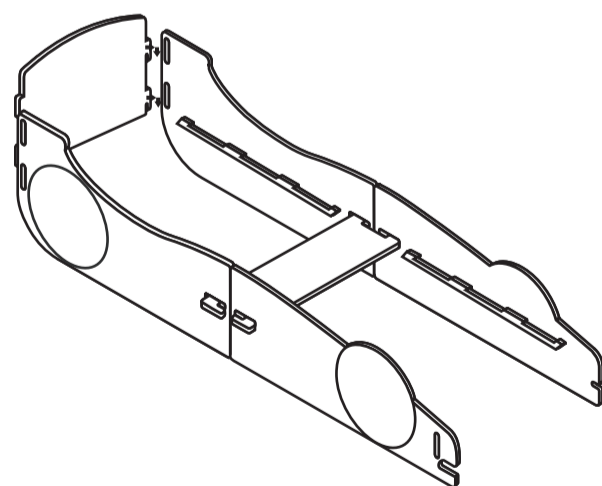
B) Steps to Assembly ADULT ASSEMBLY REQUIRED



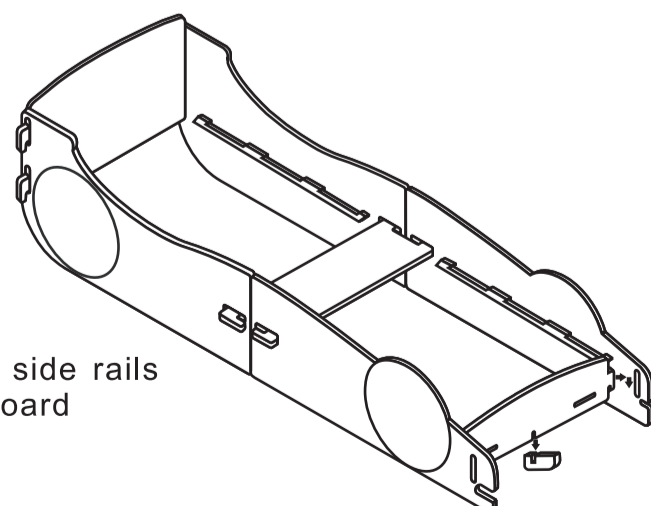
Step 1-Place dowels onto front and back side rails



Step 2-Insert central support onto side rails

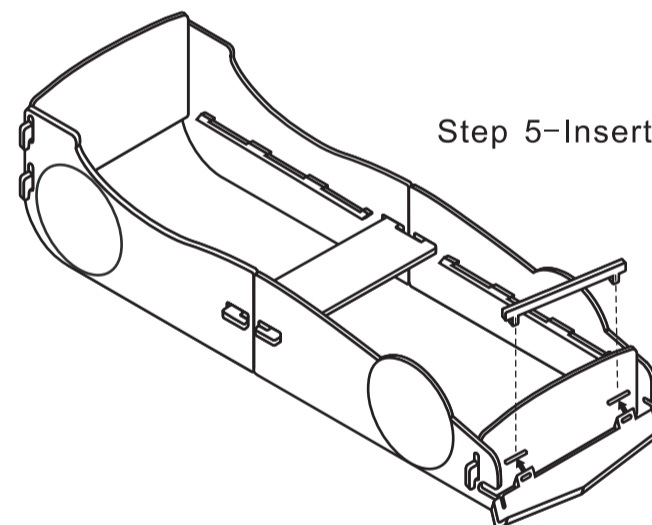


Step 3-Slot headboard onto front side rails

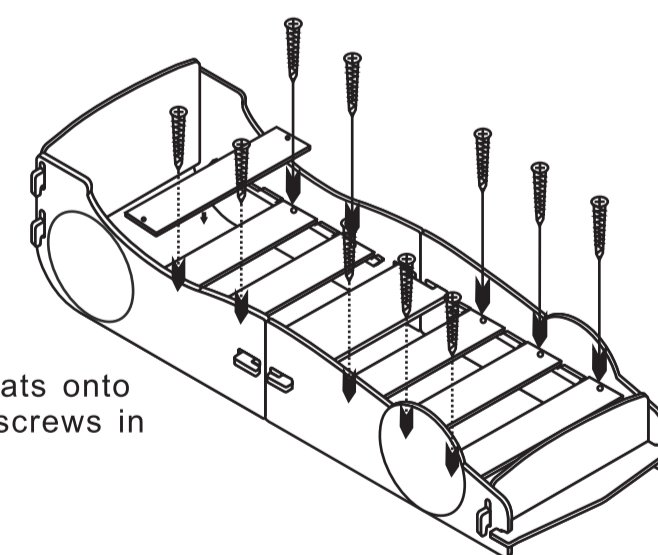


Step 4-slot footboard onto side rails and put support onto footboard

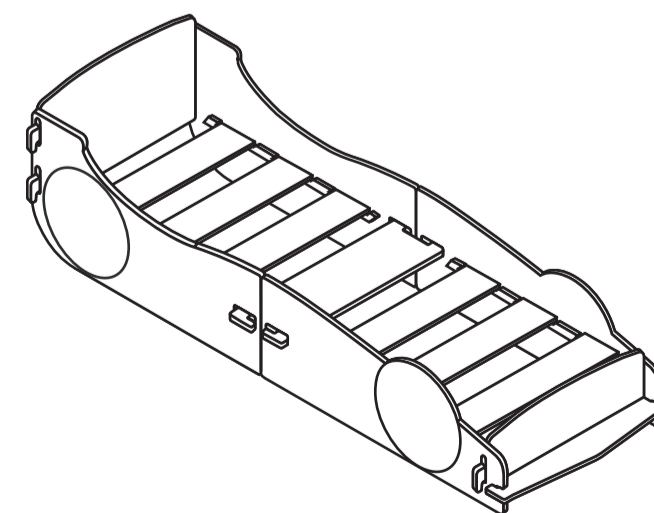
B) Steps to Assembly ADULT ASSEMBLY REQUIRED



Step 5-Insert front shelf and T-Lock onto footboard



Step 6-Place all slats onto slat supports with screws in



Assembly Complete

ANY QUESTIONS?GIVE US A CALL DIRECT

KIDSAW PUZZLE FURNITURE is designed and distributed by kidsaw limited, UK.
For any queries, missing parts, comments or suggestions on the product, please call our customer support at +44 (0) 116 2519551 during Monday-Friday 9:00 a.m. to 4:00 p.m.
Or, mail to 47-55 Northgate Street, Leicester, LE3 5BZ, Or, email to support@kidsaw.co.uk.
Thank you for purchasing KIDSAW PUZZLE FURNITURE

Single bed-ASSEMBLY INSTRUCTIONS-3

Single bed-ASSEMBLY INSTRUCTIONS-4