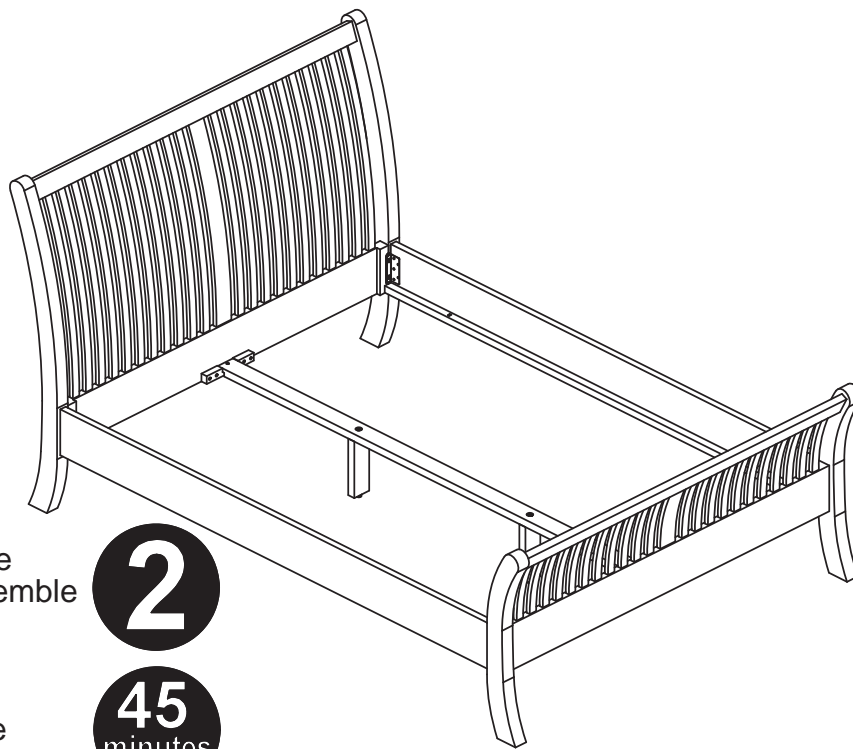




SHERBROOKE BED

DOUBLE 231-00031 (Solid slats)
231-00032 (Sprung slats)
KING 235-00031 (Solid slats)
235-00032 (Sprung slats)

Assembly Instruction



Minimum No. of people recommended to assemble this product





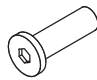



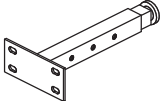
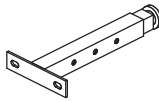


2

Approx assembly time

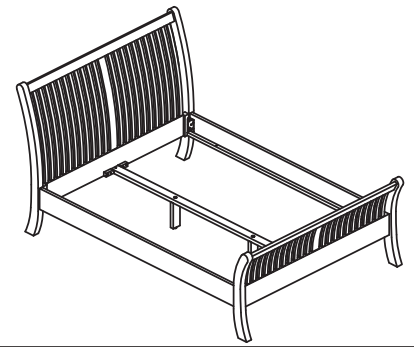
45
minutes

Before you start, here is some helpful advice

1. We suggest you spend a short time reading through this leaflet and then follow the simple step by step instructions.
2. If you follow the instructions carefully the end result should be worth the effort.
3. Do not discard any of the packaging until you have checked that you have all the parts and the pack of fittings.
4. To ensure an easier assembly, we strongly advise that all fittings are only finger tightened during initial assembly. Only upon completion of the. Assembly should all fixing points be fully tightened.
5. We recommend a periodic check on all fixing points to make sure they remain fully tightened.
6. Keep glue and fittings out of children's reach.
7. In the unlikely event that this product has missing or damaged parts, please call 0844 292 0000 to obtain spares

PARTS		Fittings
		A  M8 x 20mm x 8pcs.
		B  Ø3.5 x 25mm x 2pcs.
		C  Allen key 4mm x 2pcs.
		D  M6 x 38mm x 6pcs.
		E  M6 x 22mm x 4pcs.
		F  Ø4 x 40mm x 6pcs.
G  M6 x 6pcs.	H  M8 x 4pcs.	
<p>Note:The following fittings will be found in the box which contains the Sprung Frame, NOT with the bed frames Assembly Kit. PLEASE DO NOT USE THE FOLLOWING HARDWARE FOR THIS BED!</p>		
I  Center leg x 1pc.	G  Center leg x 2pcs.	K  M6 x 12mm x 8pcs.
C  Allen key 4mm x 1pc.		

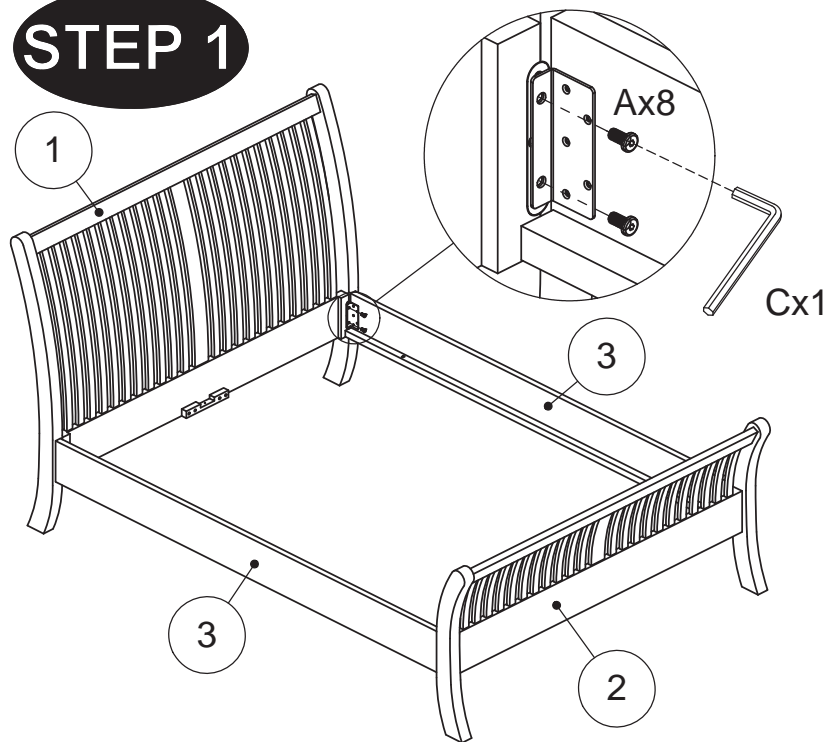
Assembly



Fix the side rails "3" to the headboard "1" and footboard "2".

Use bolts "A", tighten using allen key "C".

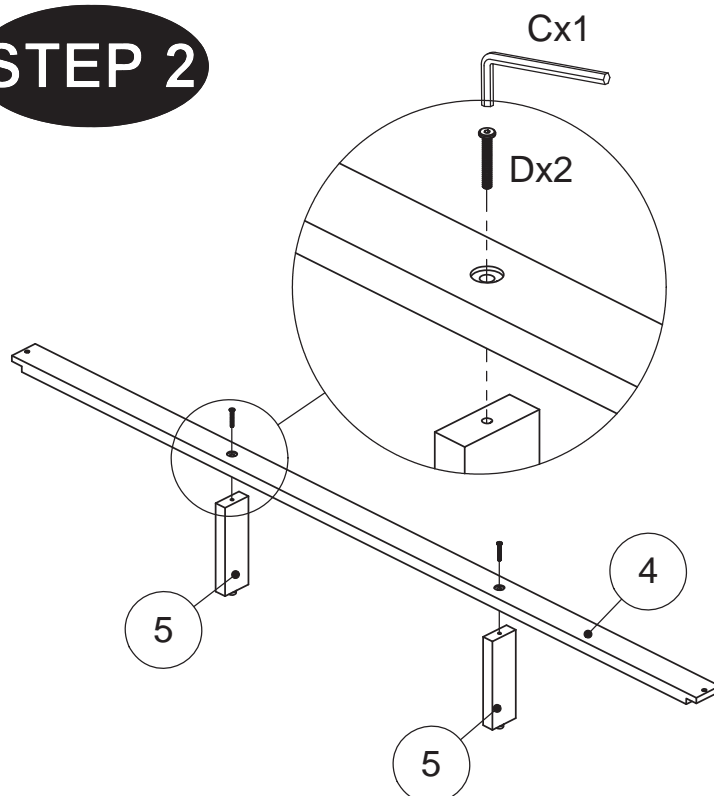
STEP 1



Attach central support "4" to support feet "5".

Use bolts "D", tighten using allen key "C".

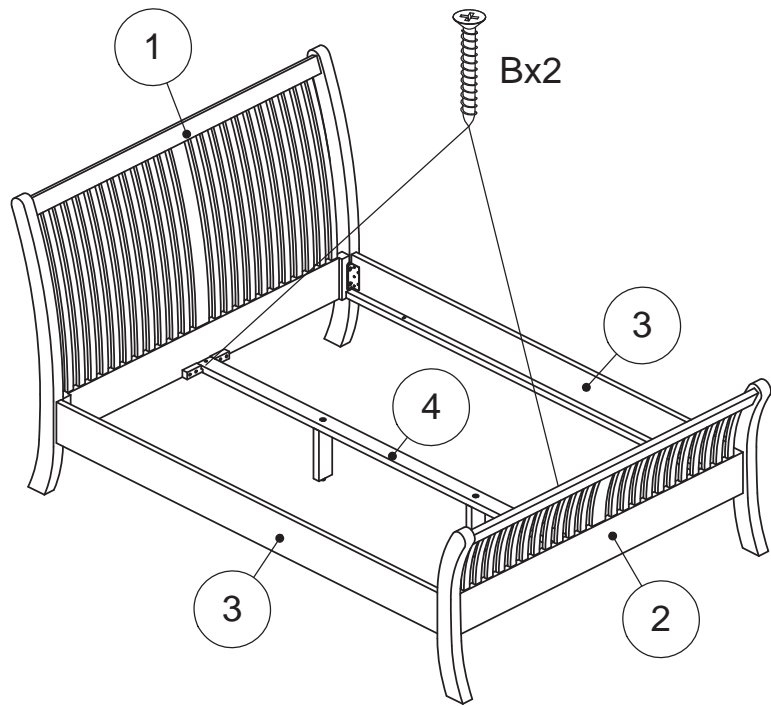
STEP 2



Place the fixed central support "4" onto the support block on headboard "1" and footboard "2".

Fix the central support "4" at both ends using screws "B", tighten with a screwdriver.

STEP 3



IMPORTANT

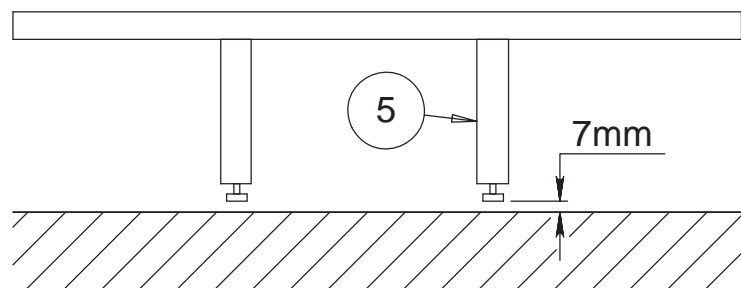
Once the feet have been assembled and attached, they should be adjusted to ensure they do not touch the floor, (7mm above the floor) to allow for movement once the mattress is placed on the bed frame.

It is important to note that when moving the bed that it is not dragged into its new position to prevent the possibility of these feet being twisted or angled to one side, which could lead to the collapse of the centre of the bed.

To move the bed, remove the mattress and lift the bed into its new position to avoid damage.

Ensure the feet are at 90° to the floor before replacing the mattress.

STEP 4



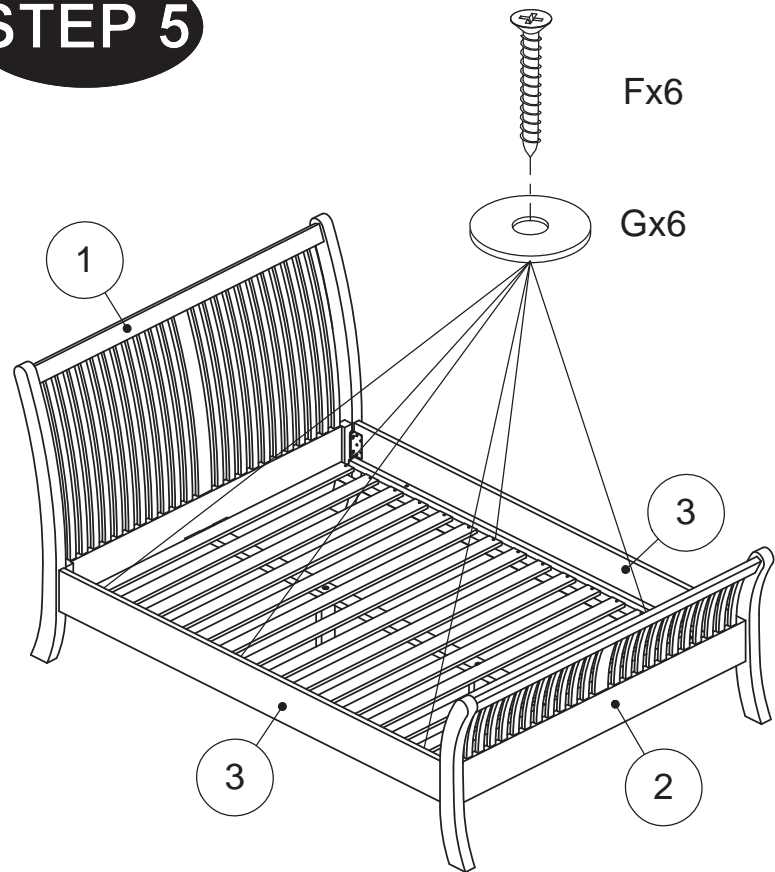
Important Note: Your Bedstead comes supplied as standard with Solid Wood Slats, or upgrade available to Sprung Slat System at point of purchase at an additional cost. Please carefully follow the correct assembly instructions for the slat system that you have purchased.

**Option 1:
Dreams solid slats**

Place the fixed wood slats onto the slat holders on side rails "3".

Fix the slats at both ends and the middle using screws "F" and washers "G", tighten with a screwdriver. total of six screws and washers.

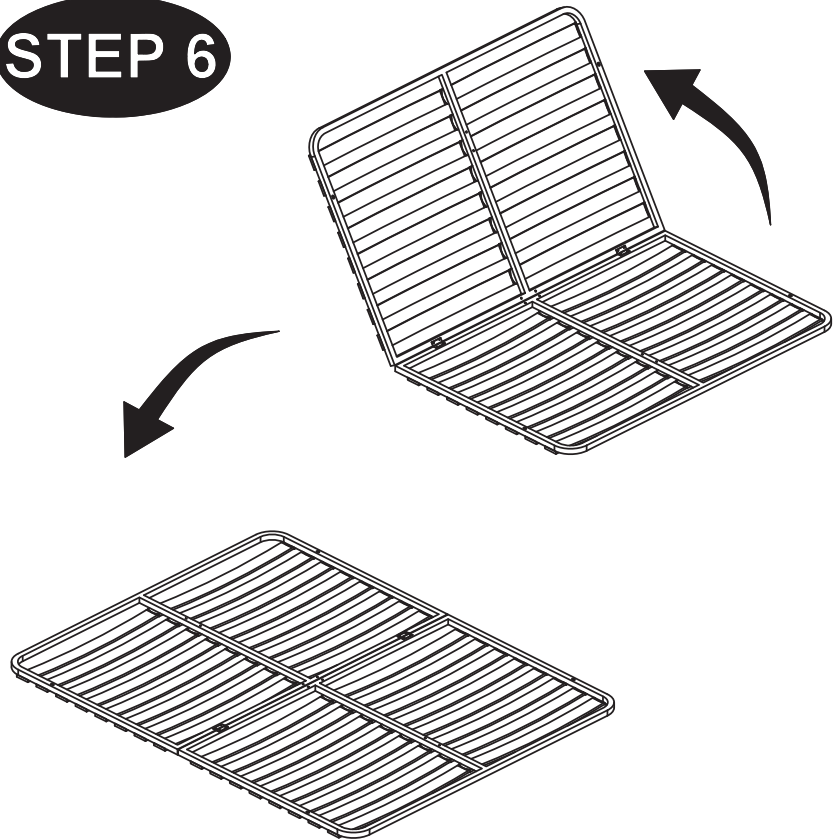
STEP 5



**Option 2:
Dreams sprung slat frame**

Open the metal slat frame outwards.

STEP 6



Turn the metal slat frame falling upward and carefully lower the slat frame into the bed.

Ensure that the frame sits on the guides located on the side rails "3".

Position the slat frame so that the holes in the frame align with those in the side rails "3".

Secure the frame to the side rails "3" by threading bolt "D", washers "G" and through the holes in the frame and the side rails "3".

Finally, tighten the bolt "D" and washers "G" into the sleeve nuts "E" and washers "H" from the top of slat frame with allen keys "C".

STEP 7

