

## Fitting of Knobs and Collars if applicable to style of Bedstead or Headboard

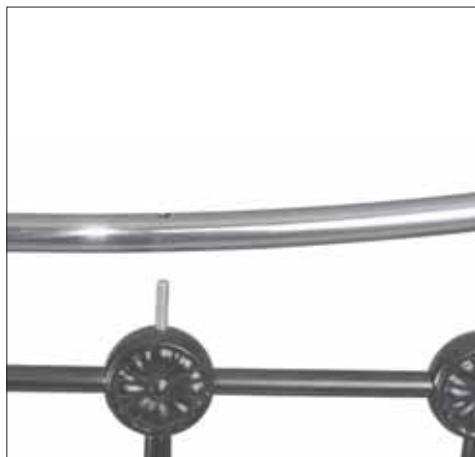
### FITTINGS CHECK LIST FOR BEDS WITH BRASS

#### TOP RAILS

|    |                      |   |
|----|----------------------|---|
| 21 | knob                 | 4 |
| 22 | collar               | 4 |
| 23 | brass tube           | 2 |
| 24 | stud with ball screw | 2 |
| 25 | long treaded stud    | 2 |

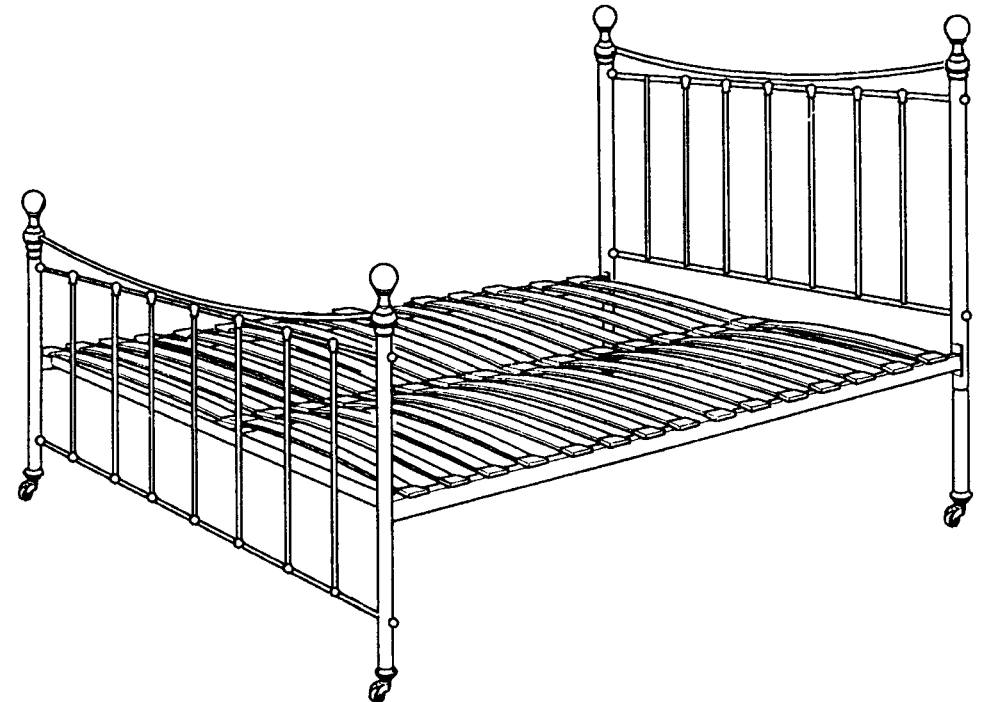


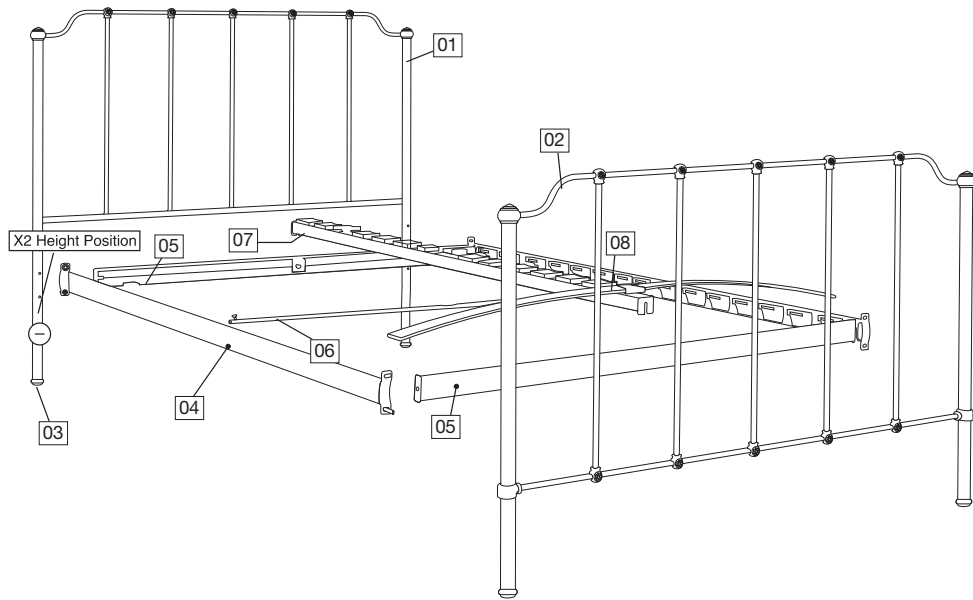
This stage is for beds with brass rails. Fit long threaded stud into threads provided in the legs. Screw threaded stud into hole in the middle of the frame. Next fit brass tube into holes in the collar and lower into legs of the frame, making sure that the stud is passing through the center of the tube. Finally screw both knobs and the center ball onto the stud.



### Product Information

## Brass & Cast Bedsteads





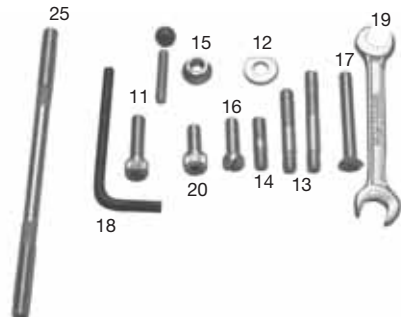
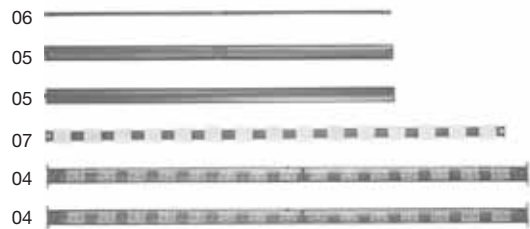
**PARTS CHECK LIST - SLATTED FRAME**

**QTY**

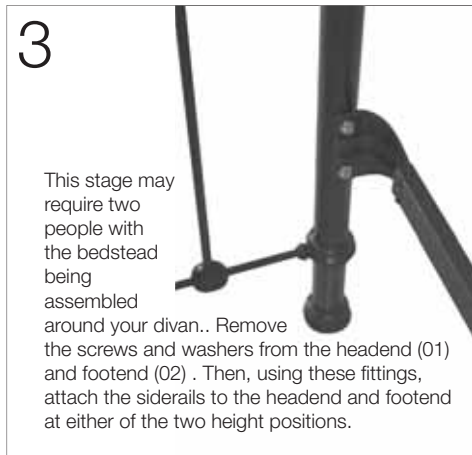
|    |                               |    |
|----|-------------------------------|----|
| 01 | Headend                       | 1  |
| 02 | Footend                       | 1  |
| 03 | Head end extension legs       | 2  |
| 04 | Side rails                    | 2  |
| 05 | End cross bar                 | 2  |
| 06 | Center cross bar              | 1  |
| 07 | Center rail ( not for 3' bed) | 1  |
| 08 | Slats                         | 30 |

**FITTINGS CHECK LIST SLATTED FRAME**

|    |  |   |
|----|--|---|
| 11 | Bolt (pre fitted in headend and footend)   | 8 |
| 12 | Washer (pre fitted in headend and footend) | 8 |
| 13 | Threaded stud (50 mm)                      | 4 |
| 14 | Threaded stud (30 mm) <i>not in 3' bed</i> | 2 |
| 15 | Nut  | 9 |
| 16 | Flat Head Screw (25mm)                     | 2 |
| 17 | CS Screw (60 mm)                           | 1 |
| 18 | Allen Key                                  | 1 |
| 19 | Spanner                                    | 1 |

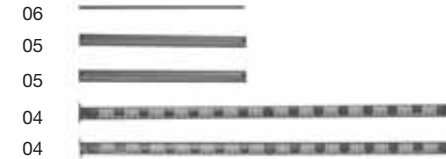


# Surround Frame



## PARTS CHECK LIST 2'6" & 3' FRAME

|    |                         |    |
|----|-------------------------|----|
| 01 | Headend                 | 1  |
| 02 | Footend                 | 1  |
| 03 | Head end extension legs | 2  |
| 04 | Side rails              | 2  |
| 05 | End cross bar           | 2  |
| 06 | Center cross bar        | 1  |
| 07 | Center rail             | 0  |
| 08 | Slats                   | 14 |

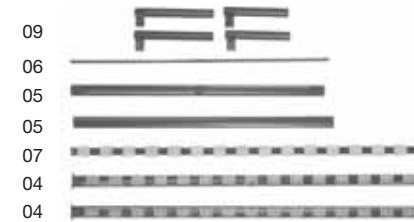


## FITTINGS CHECK LIST 2'6" & 3' FRAME

|    |  |   |
|----|--|---|
| 11 | Bolt (pre fitted in headend and footend)   | 8 |
| 12 | Washer (pre fitted in headend and footend) | 8 |
| 13 | Threaded stud (62 mm)                      | 4 |
| 14 | Threaded stud (30 mm)                      | 0 |
| 15 | Nut  | 6 |
| 16 | Flat Head Screw (25mm)                     | 2 |
| 17 | CS Screw (60 mm)                           | 0 |
| 18 | Allen Key                                  | 1 |
| 19 | Spanner                                    | 1 |

## PARTS CHECK LIST UNIVERSL FRAME

|    |                         |    |
|----|-------------------------|----|
| 01 | Headend                 | 1  |
| 02 | Footend                 | 1  |
| 03 | Head end extension legs | 2  |
| 04 | Side rails              | 2  |
| 05 | End cross bar           | 2  |
| 06 | Center cross bar        | 1  |
| 07 | Center rail             | 1  |
| 08 | Slats                   | 30 |
| 09 | Leg posts               | 2  |



## FITTINGS CHECK LIST UNIVERSAL FRAME

|    |  |    |
|----|--|----|
| 11 | Bolt (pre fitted in headend and footend)   | 8  |
| 12 | Washer (pre fitted in headend and footend) | 8  |
| 13 | Threaded stud (50 mm)                      | 4  |
| 14 | Threaded stud (30 mm) <i>not in 3' bed</i> | 2  |
| 15 | Nut  | 9  |
| 16 | Flat Head Screw (25mm)                     | 2  |
| 17 | CS Screw (60 mm)                           | 1  |
| 18 | Allen Key                                  | 1  |
| 19 | Spanner                                    | 1  |
| 20 | Bolt (pre fitted in leg posts)             | 12 |

## PARTS CHECK LIST SURROUND FRAME

|    |                         |   |
|----|-------------------------|---|
| 01 | Headend                 | 1 |
| 02 | Footend                 | 1 |
| 03 | Head end extension legs | 2 |
| 04 | Side rails              | 2 |
| 05 | End cross bar           | 0 |
| 06 | Center cross bar        | 0 |
| 07 | Center rail             | 0 |
| 08 | Slats                   | 0 |



## FITTINGS CHECK LIST SURROUND FRAME

|    |  |   |
|----|--|---|
| 11 | Bolt (pre fitted in headend and footend)   | 8 |
| 12 | Washer (pre fitted in headend and footend) | 8 |
| 13 | Threaded stud (50 mm)                      | 0 |
| 14 | Threaded stud (30 mm) <i>not in 3' bed</i> | 0 |
| 15 | Nut  | 0 |
| 16 | Flat Head Screw (25mm)                     | 0 |
| 17 | CS Screw (60 mm)                           | 0 |
| 18 | Allen Key                                  | 1 |
| 19 | Spanner                                    | 1 |

# Slatted Frame

1

Fit the extension legs to the ends of the headend 01 as shown



2

This stage is for beds with castors. Castors are optional and are not supplied if not ordered as options. Remove plastic cap from the end of the legs. Insert the the castors.



7

Fit the leg posts (09) at each corner of the footend using 6 allen head bolts (20).



8

Fit the center rail(07) by sliding it over the the threaded stud (14) located in the center of the end cross bar (05) . Repeat for the other end of the center rail.



3

Fit four threaded studs (13) ( the short thread in the side rail) to each end of the two side rails (4)



4

Fit the two threaded studs (14)to center of the two end cross bars (05) Screw on the nut (15) to the stud but do not tighten leaving lots of space between the rail and the nut



9

Remove center slat cap of center rail (07). Align the center rail (07) over center cross bar (06) and fit with CS screw (17) and nut (15)



10

Fit slats as for slatted frame page ---, steps 9 & 10



5

Slide the side rail (04) and threaded stud (13) into the locating tube on the cross rail (05). Fit the nut (15) and finger tighten the nut at this stage. Repeat for other 3 corners



6

Fit the centre cross bar (06) with flat head screw (16) and nut (15) to center of one side rail (04). Repeat for the other end of center cross bar.



11

This stage may require two people. Remove the screws and washers from the headend (01) and footend (02) . Then, using these fittings, attach the frame to the headend and footend at either of the two height positions.



12

Screw knobs to top of headend and footend.



# Universal Frame

1

Fit the extension legs to the ends of the headend 01 as shown



2

This stage is for beds with castors. Castors are optional and do not have to be fitted. Remove plastic cap from the end of the legs. Insert the the castors.



7

Fit the center rail(07) by sliding the U groove over the the threaded stud (14) located in the center of the end cross bar (05). Repeat for the other end of the center rail .



8

Remove center slat cap of center rail (07). Align the center rail (07) over center cross bar (06) and fit with CS screw (17) and nut (15)



3

Fit four threaded studs (13) ( the short thread in the side rail) to each end of the two side rails (4)



4

Fit the two threaded studs (14)to center of the two end cross bars (05) Screw on the nut (15) to the stud but do not tighten



9

Tighten all the fittings in the slatted frame. Fit the slats. With the bow of the slat facing upwards slide one end of the slat (08) into the slat holder located in the side rail (04).



10

Remove slat cap from the center rail and slide other end of slat into it Repeat this for the opposite slat in the opposite rail. Then position the center slat cap over the center rail (07) and push down firmly in place. Repeat for all the slats.



5

Slide the side rail (04) and threaded stud (13) into the locating tube on the cross rail (05). Fit the nut (15) and finger tighten the nut at this stage. Repeat for other 3 corners



6

Fit the centre cross bar (06) with flat head screw (16) and nut (15) to center of one side rail (04) . Repeat for the other end of center cross bar.



11

This stage may require two people. Remove the screws and washers from the headend (01) and footend (02) . Then, using these fittings, attach the frame to the headend and footend at either of the two height positions.



12

If the style of Bedstead or Headboard has knobs, Screw knobs to top of headend and footend. using the stud provided



# 2'6" & 3' Frame

1

Fit the extension legs to the ends of the headend 01 as shown



2

This stage is for beds with castors. Castors are optional and are not supplied if not ordered as options. Remove plastic cap from the end of the legs. Insert the the castors.



7

Fit the centre cross bar (06) with flat head screw (16) and nut (15) to center of one side rail (04) . Repeat for the other end of center cross bar.



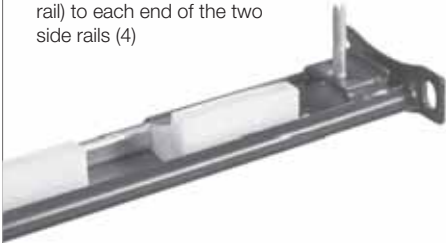
8

This stage may require two people. Remove the screws and washers from the headend (01) and footend (02) . Then, using these fittings, attach the frame to the headend and footend at either of the two height positions.



3

Fit four threaded studs (13) ( the short thread in the side rail) to each end of the two side rails (4)



4

Slide the side rail (04) and threaded stud (13) into the locating tube on the cross rail (05). Fit the nut (15) and finger tighten the nut at this stage. Repeat for other 3 corners



9

If the style of Bedstead or Headboard has knobs, Screw knobs to top of headend and footend. using the stud provided



5

Fit the slats. With the bow of the slat facing upwards slide one end of the slat (08) into the slat holder located in the side rail.



6

Then slip the other end of the slat into slat holder in the opposite side rail.

