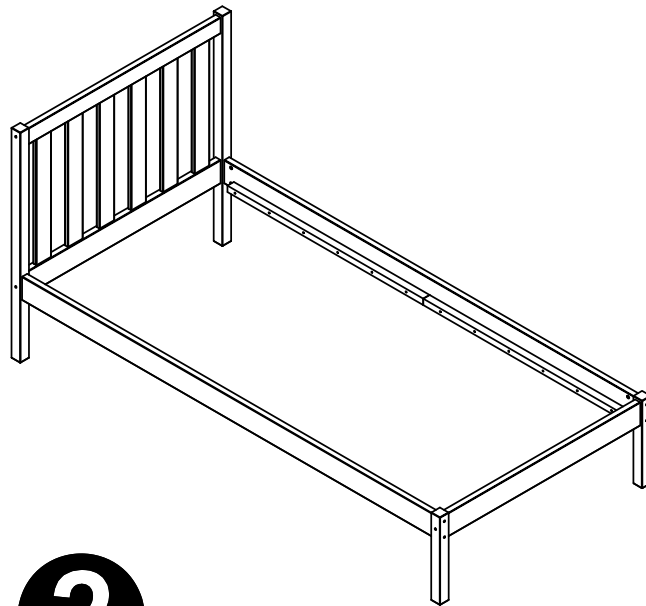


## SANDHURST SINGLE: 223-00040

### Assembly Instruction



Minimum No. of people recommended to assemble this product

**2**

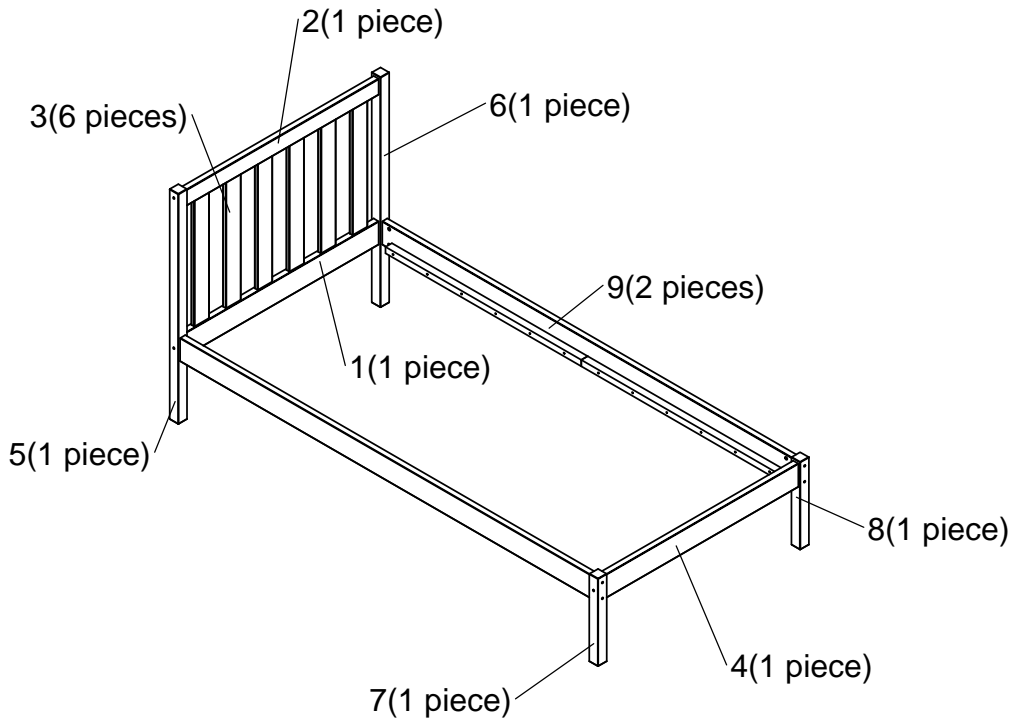
Approx assembly time

**45**  
minutes

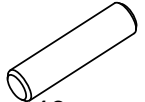
#### **Before you start, here is some helpful advice**

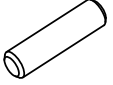
1. We suggest you spend a short time reading through this leaflet and then follow the simple step by step instructions.
2. If you follow the instructions carefully the end result should be worth the effort.
3. Do not discard any of the packaging until you have checked that you have all the parts and the pack of fittings.
4. To ensure an easier assembly, we strongly advise that all fittings are only finger tightened during initial assembly. Only upon completion of the assembly should all fixing points be fully tightened.
5. We recommend a periodic check on all fixing points to make sure they remain fully tightened.
6. Keep glue and fittings out of children's reach.
7. In the unlikely event that this product has missing or damaged parts, please call 0844 292 0000 to obtain spares


# PARTS

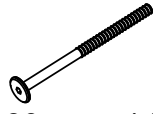


# Fittings

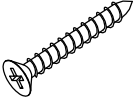
**A**   
 Ø10 x 40mm x 14pcs.

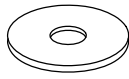
**B**   
 Ø8 x 30mm x 24pcs.

**C**   
 Ø10 x 14mm x 14pcs.

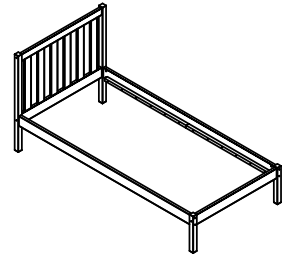
**D**   
 M6 x 90mm x 14pcs.

**E**   
 Allen key 4mm x 1pc.

**F**   
 Ø4 x 40mm x 6pcs.

**G**   
 M6 x 6pcs.

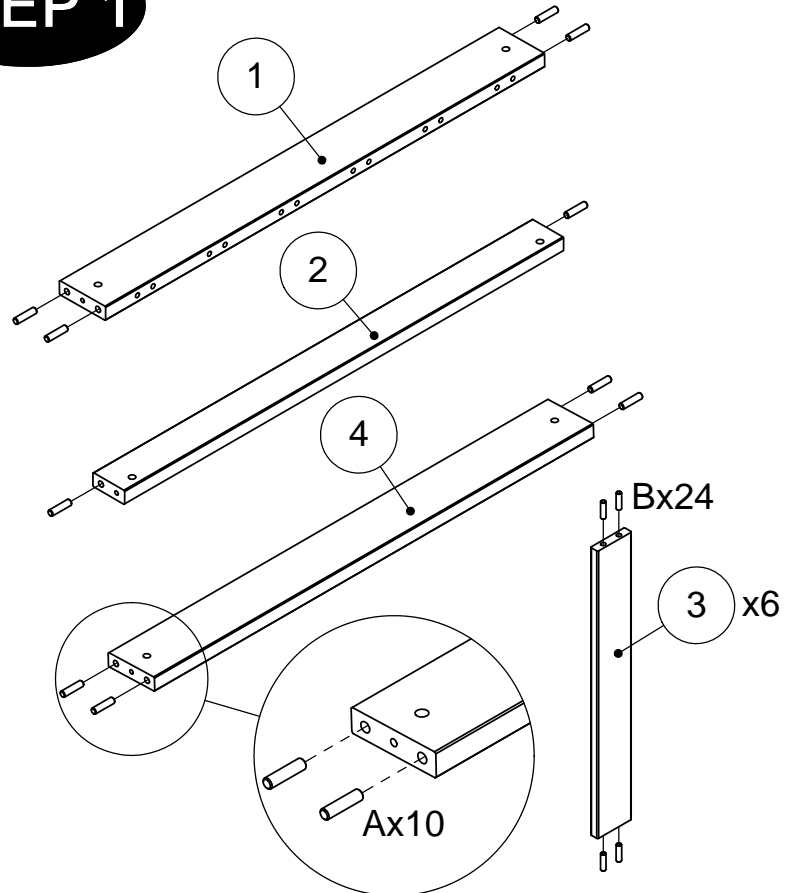
# Assembly



Knock dowels "A" into head board-bottom rail "1", head board-top rail "2" and footboard "4" by a hammer.

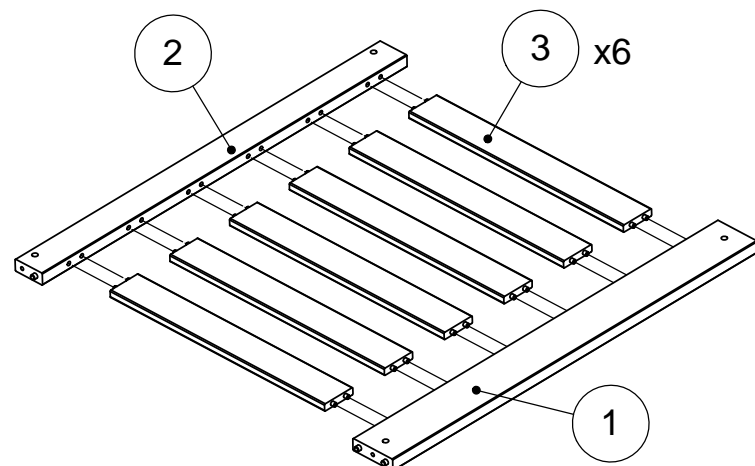
Knock dowels "B" into head board-vertical rails "3" by a hammer.

## STEP 1



Attach headboard-bottom rail "1", headboard-top rail "2" and headboard-vertical rails "3" together.

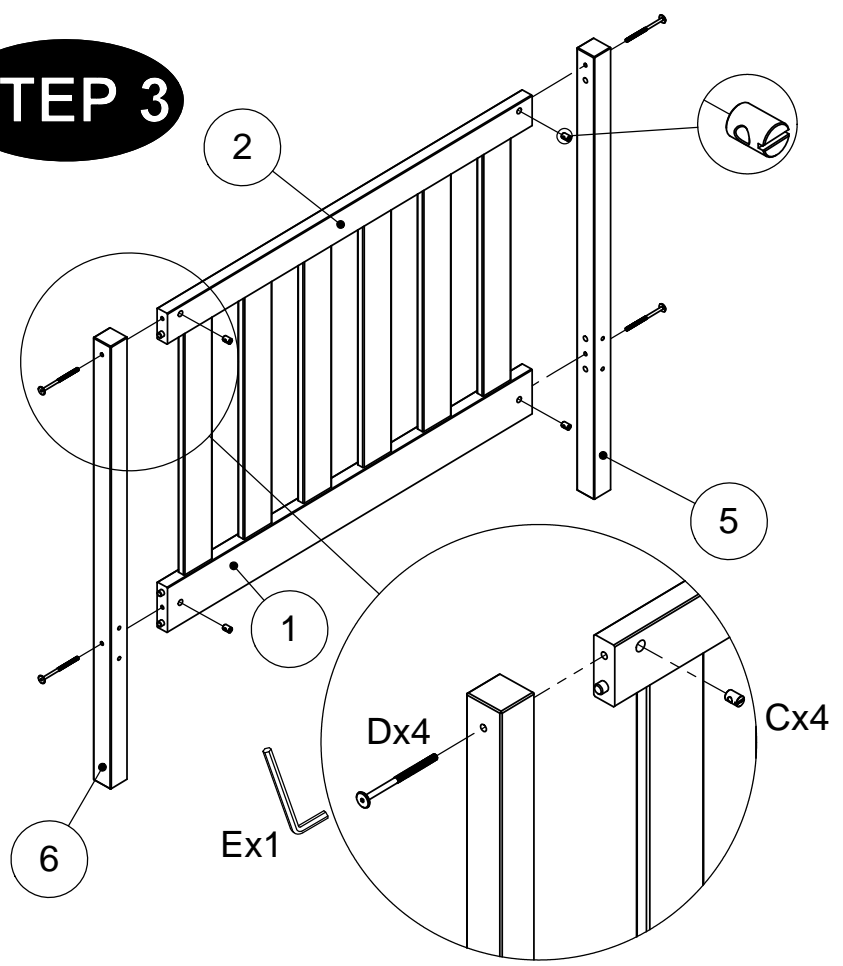
## STEP 2



Insert nuts "C" into panels "1" and "2".

Connect bed legs "5", "6" onto parts "1", "2" with bolts "D" and allen key "E".

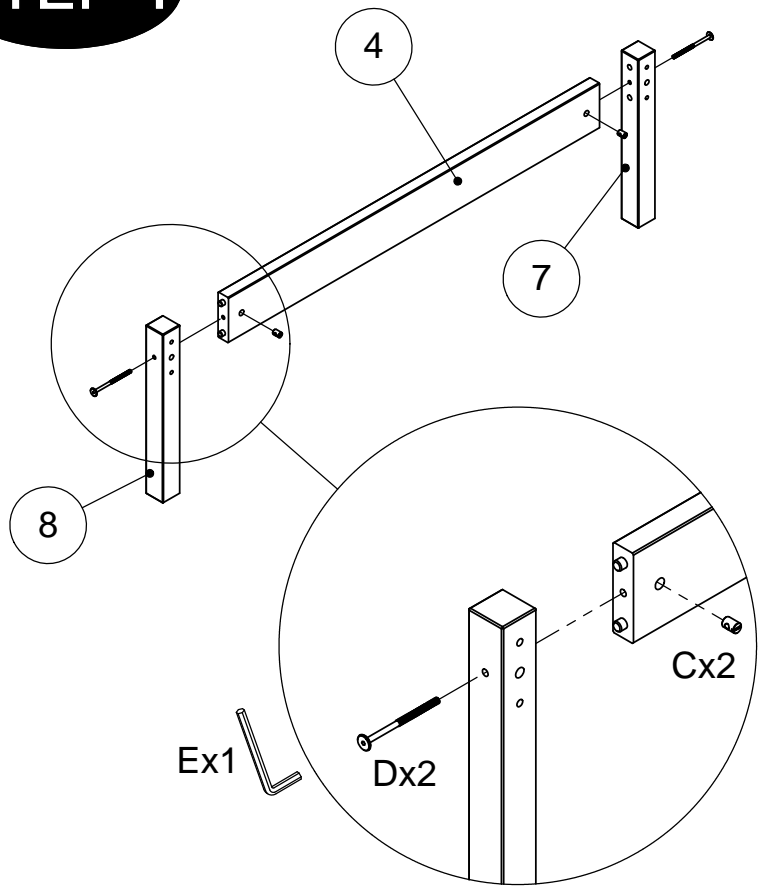
### STEP 3



Insert nuts "C" into panel "4".

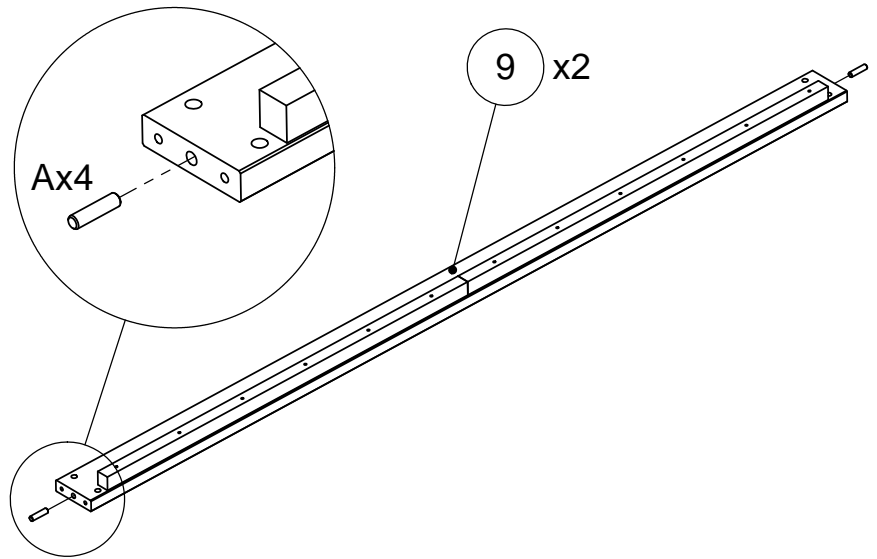
Connect bed legs "7", "8" onto part "4" with bolts "D" and allen key "E".

### STEP 4



Knock dowels "A" into bed-sidepanels "9" by a hammer.

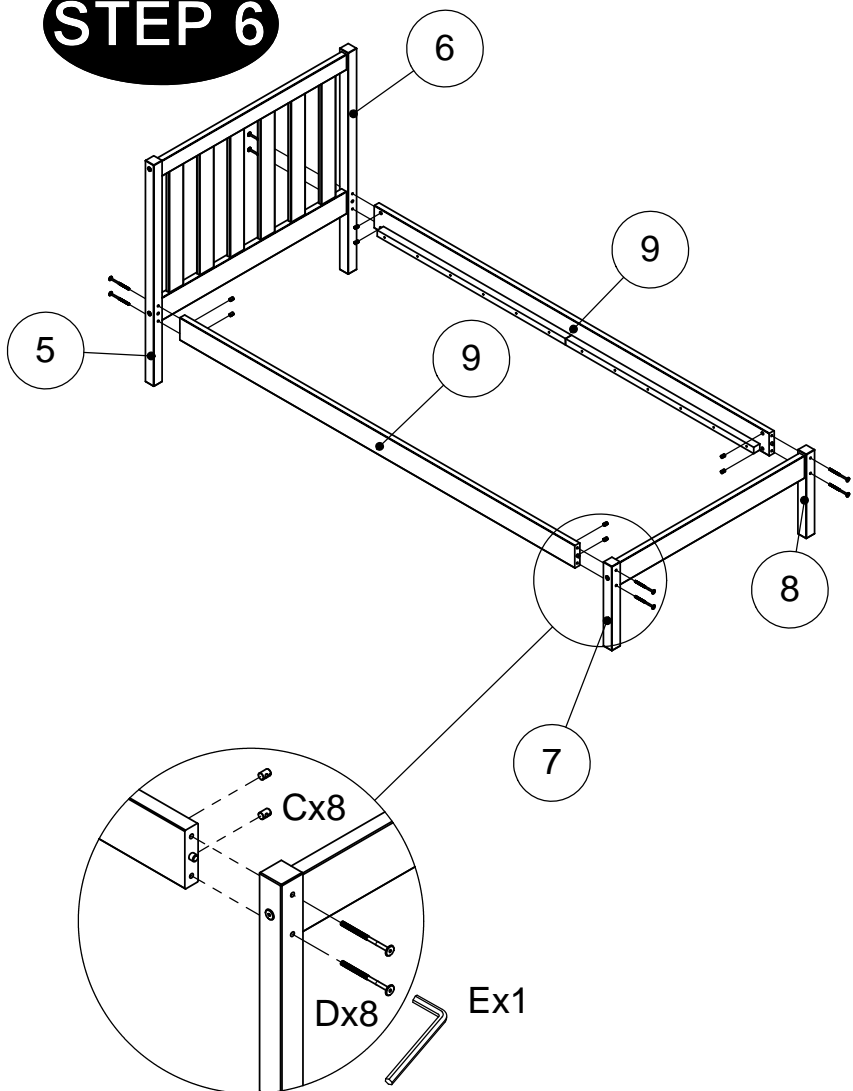
## STEP 5



Insert nuts "C" into panels "9".

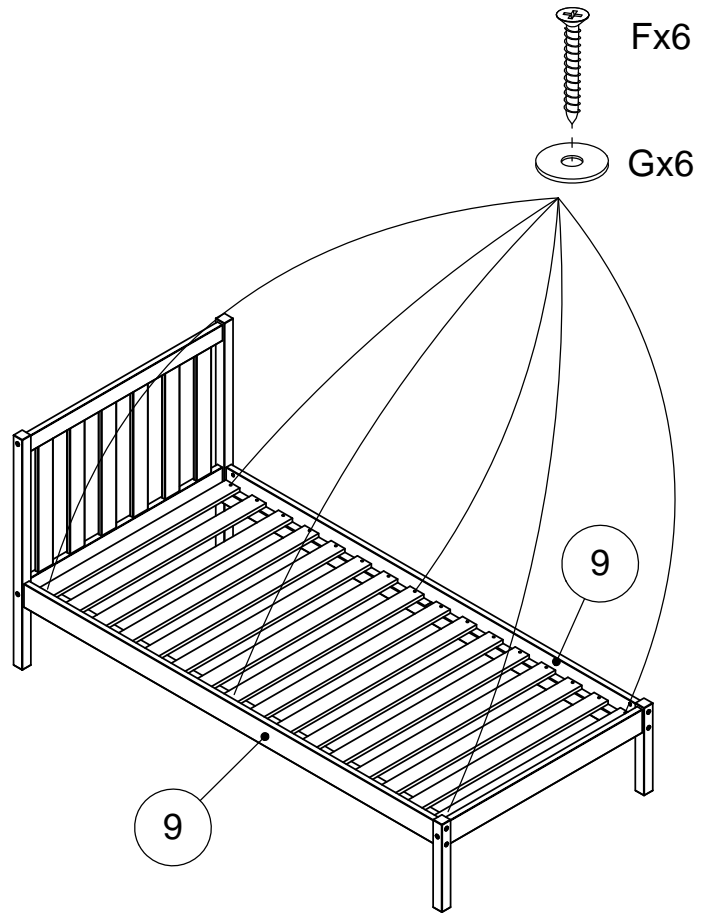
Connect bed legs "5", "6", "7" and "8" onto parts "9" with bolts "D" and allen key "E".

## STEP 6



Place the fixed wood slats onto the slat holders on side rails "9".  
Fix the slats at both ends and the middle using screws "F" and washer "G", tighten with a screwdriver. total of six screws and washers.

## STEP 7



## Care of your Dreams Furniture

Your new bed from Dreams is more than a beautiful piece of furniture. It's an investment in your health and wellbeing. Care for it well and you'll enjoy a great night's sleep for many years to come.

Should you have any issues with your product please contact our customer service team on 0344 292 0000

### On Delivery

Once your new bed is in place and all the packaging is removed, let it air for approximately 1 hour before putting on your mattress, mattress protector and bed linen.

Don't worry if your bed feels a little strange at first. It takes time for your body to adjust to a new level of support and comfort. You'll soon be enjoying a more relaxed sleep.

Please consider the surface your bed will be stood on. If your bed frame is to be stood on an uncarpeted surface please ensure that you use rubber backed mat under the legs to avoid slipping.

### Day to day Care

Please use only 5% soap, 95% water solution, wiping with a damp cloth. Finally dry with a soft clean cloth. Dust with a soft clean cloth only.

Check all bolts, screws and legs regularly to make sure they haven't loosened and tighten all joins of your furniture or bedstead after 6 months. Please keep these instructions in a safe place for further use.

Storage Drawers in Bedsteads are designed to carry lightweight items such as Pillows, duvets and linen. Please try to avoid storing heavier items such as books or toys.

### Returns

If you have bought a large item such as a bed or mattress which is damaged or faulty and would like to return it, we will be able to arrive at your home and take your item away. All we ask is that your item is in perfect condition and in its original packaging (you can open the packaging to inspect your item). Items will not be able to be returned if they are not in their original packaging. For online and telesales orders, you can only return an item within 7 days from the date of your delivery.



[www.dreams.co.uk](http://www.dreams.co.uk)

Thank you for purchasing from

**Dreams**

