

**PLEASE READ** this sheet prior to assembly to familiarise yourself with the various stages of construction. Carefully open the pack supplied and check the contents against the parts and fittings check list.

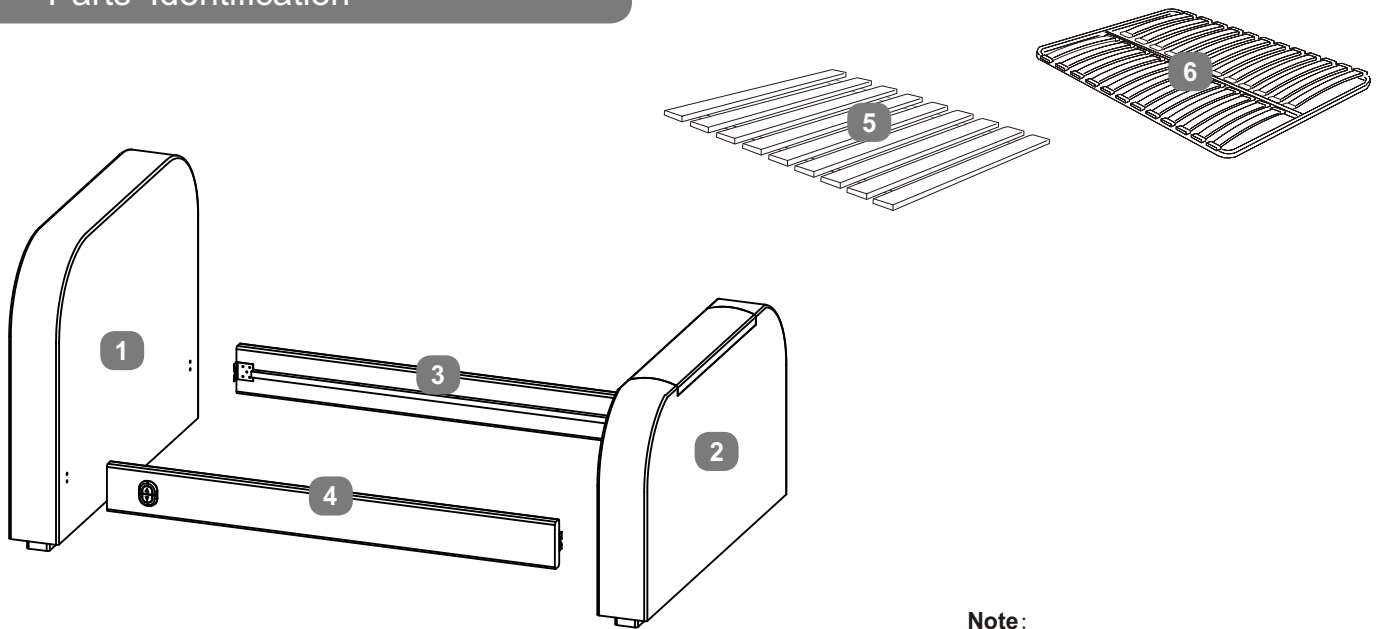
Do not destroy any of the packaging until you are certain that you have all the necessary parts for the assembly.

**Please ensure that the packaging is disposed of in a safe environmentally friendly way.**

**CAUTION:** There are small components used in the construction of this unit. These loose items should be kept away from young children whilst assembling your unit to avoid the danger of choking hazards.

**IMPORTANT: BEFORE STARTING TO ASSEMBLE THE BED - PLEASE READ THE HELP GUIDE PAGE**

### Parts Identification



**Note:**  
 Standard wooden slat frame (part 5)  
 Upgraded sprung slat frame (part 6)

### Parts Checklist

Ref.	Description	Qty
1	Headboard	1
2	Footboard	1
3	Right Side Rail	1
4	Left Side Rail	1
5	Wooden Slats	1 Set
6	Metal Sprung Slat System*	1 Frame

\*Only supplied if upgraded sprung system chosen

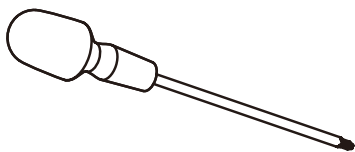
## Fittings Checklist

Code	Description	Qty	Code	Description	Qty
A	Bolt (M8x30mm)	x8	F	Sleeve Nut (M6x16mm)	x6
B	Bolt (M6x40mm)	x6	G	Allen Key (4mm)	x1
C	Spring Washer	x8	H	Flat Washer (6mm)	x6
D	Flat Washer (8mm)	x8	I	Screw (3x20mm)	x2
E	Allen Key (5mm)	x1	J	TV Lift Switch (Battery - A23-12Volt)	x1

**Note:** The following fittings will be found in the box which contains the sprung slat frame, not with the bed frame assembly hardware pack.

O	Bolt (M6x15mm)	x8	P	Slat Centre Leg	x1
Q	Slat Support Leg	x2			

## Additional Tools Required



Crosshead Screwdriver

## Care & Maintenance

In the unlikely event of missing or damaged parts, please contact the customer service team on 08442 920000. When calling this number, please quote the part code reference numbers shown in this leaflet when requesting spare or replacement parts.

## General Hints & Tips



Please retain your Assembly Instruction and tools provided, for future use. Periodically check that all bolts are still tight.

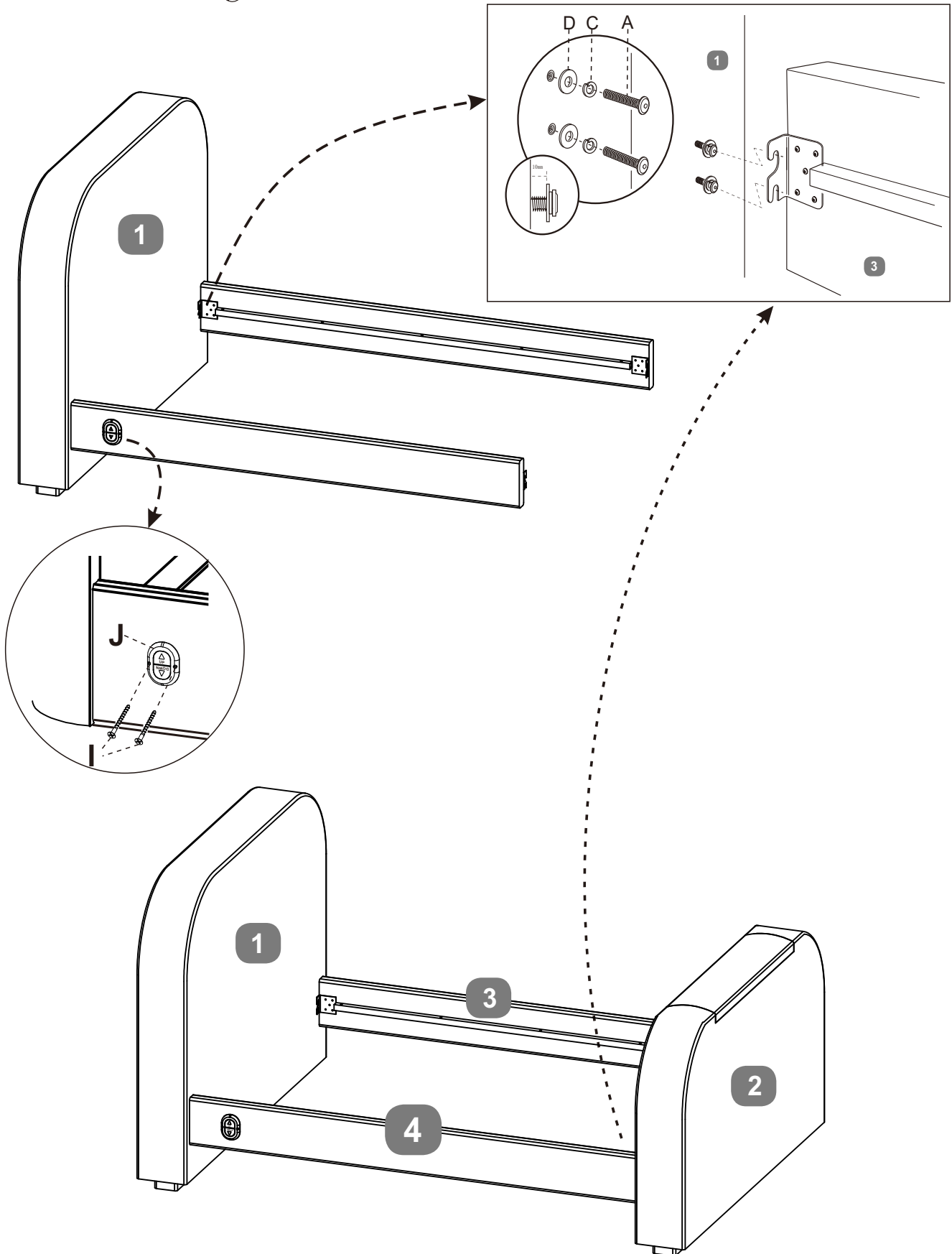


This assembly requires two people.

# Bed Assembly

Stage

1



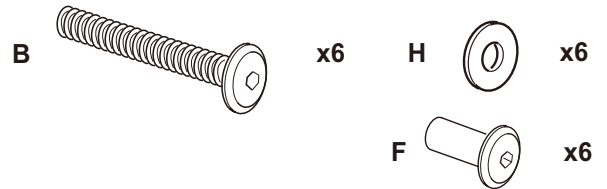
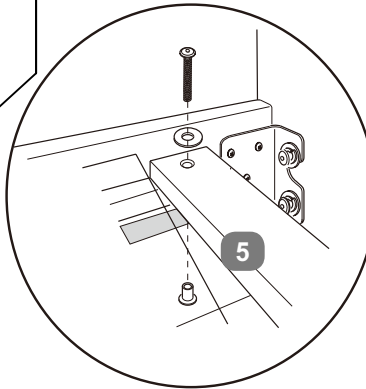
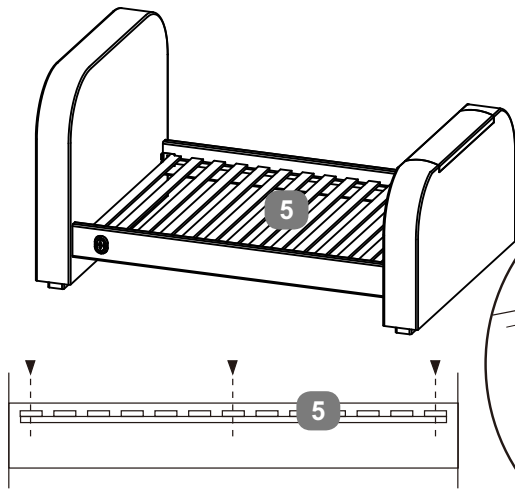
Fit the bolts (A), spring washers (C), and flat washers (D) to the holes in the headboard (1) and footboard (2) as shown. **Note:** Do not fully locate the bolts, but leave 10mm protruding. Fit the side rail (3 & 4) to the headboard and footboard locating the brackets behind the flat washers. Once all four corners are located, fully tighten the bolts using the allen key (E).

# Bed Assembly

Stage

2

## BED SLAT FIXING



Lay the set of slats (5) onto the slat support rails on the side rails.

Align the first and last slat with the end of the rails, and secure in place using the bolts (B), washers (H) and sleeve nuts (F). Fully tighten using the allen key (G).

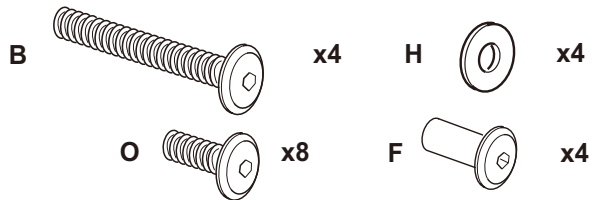
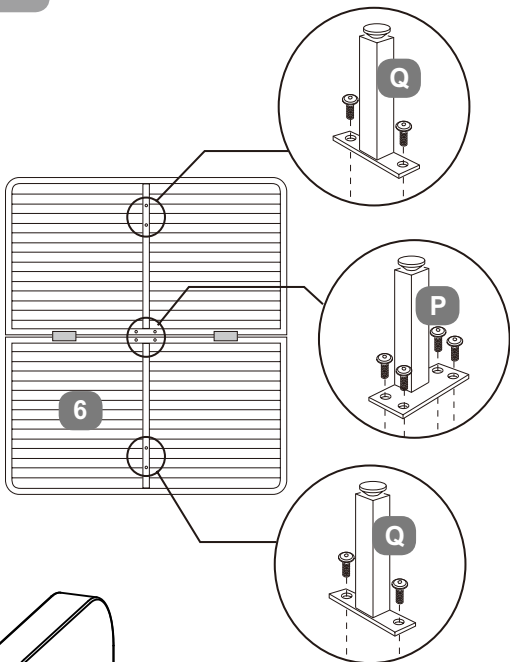
Use all of the x6 bolt sets provided (B, H & F).

Once secure fix the centre slat using the bolts as before.

Stage

2a

## UPGRADE SPRUNG SLAT SYSTEM



Open the metal frame and lay face down on the working surface.

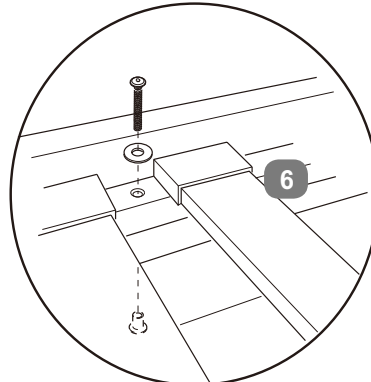
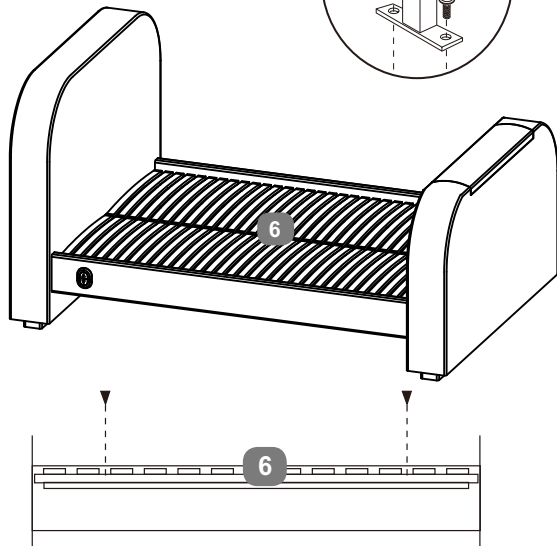
Fit the support legs (P & Q) to the positions shown, securing with the bolts (O). Fully tighten using the allen key (G).

Carefully turn the slat frame over, and position onto the slat support rails. Align the frame with the fixing holes at each end and secure using the bolts (B), washers (H) and sleeve nuts (F). Fully tighten using the allen key (G).

Use x4 of the x6 bolt sets provided (B, H & F).

Finally, please ensure that all bolts are fully tightened before the bed is used.

**EITHER 5 OR 6 WILL BE SUPPLIED - BOXED SEPARATELY**



We hope you will be very happy with your TV Bedstead but please read these points carefully; they will help you assemble the bed and media successfully:

**IMPORTANT: BEFORE FITTING THE MATTRESS...** Please do the following

- 1) In the compartment of the footboard (with red label), open the lid and carefully remove the long accessory box and ALL transit material. Please dispose of this material in a safe environmentally friendly fashion.
- 2) The box contains the following:
  - a. HARDWARE KIT TO ASSEMBLE THE BED
  - b. MAINS POWER LEAD – 3 MT LONG
  - c. AERIAL LEAD – 3 MT LONG
  - d. TV REMOTE CONTROL
  - e. TV OPERATION GUIDE
  - f. TV LIFT REMOTE SWITCH
- 3) If you want to keep the accessory box, do NOT return it to the transit position as it could damage working parts.
- 4) Keep children & other adults well clear of the foot end of the bed, when operating the TV Lift Switch.
- 5) In the centre of the footboard, under the bed, is a compartment containing a connection box for mains power input plug which is on the end of the 3Mt lead, aerial connection and x2 HDMI connections.
  - a. Plug the power and aerial cables into the sockets and other end into the wall sockets.
  - b. Plug your media into one or both of the HDMI sockets as appropriate.
- 6) Check that power is available and test the TV Lift – just press UP button.
- 7) Check TV works and is switched ON – switch is underneath TV, on right hand side.
- 8) Switch on TV and refer to TV Operation Guide to set up TV.
- 9) To lower TV, press DOWN button on TV Lift Switch – power to the TV will shut off when the TV reaches the bottom of the stroke - lid will close automatically..
- 10) To raise TV, press UP switch and TV will rise to the TOP and power will be restored then TV Lift will stop automatically at the top of it's travel.

Now it is time to fit the mattress...

**IMPORTANT: SOMETIMES YOU NEED TO PRESS THE SWITCH TWICE IF YOU GO UP/DOWN or DOWN/UP QUICKLY, THIS IS NORMAL AND IS NOTHING TO BE CONCERNED ABOUT. IN NORMAL OPERATION WHEN LIFT IS UP or DOWN FOR MORE THAN 5 MINS, PRESSING ONCE IS SUFFICIENT.**

**If you have any problems, refer to troubleshooting guide on the next page..**

**TROUBLE - SHOOTING**

- 1) If TV fails to work , check power connections and that TV is UP as power will be off when it is down. Check TV Guide for trouble-shooting help if necessary.
- 2) If your TV Lift does not operate, please check all power connections at the wall socket and into the base of the footboard.
- 3) If your TV Lift still does not operate - change the battery in the remote switch on the side-rail of the bed - refer to TV Lift Guide help-page to show how to change battery.
- 4) If you are sure there is a real problem, please contact customer service on 08442 920000.

**TV LIFT GUIDE**

IF FOR ANY REASON THE TV LIFT DOES NOT WORK, PLEASE CHECK THE FOLLOWING.

**Check Power**

Open the lid; one can easily see the controller on left hand side of the TV Lift. When power is feeding through to the TV Lift - the light (1) is glowing.

If it is NOT glowing - power is not reaching the system. Check mains power is switched on and the plug is pushed firmly into the power socket on bottom of footboard.

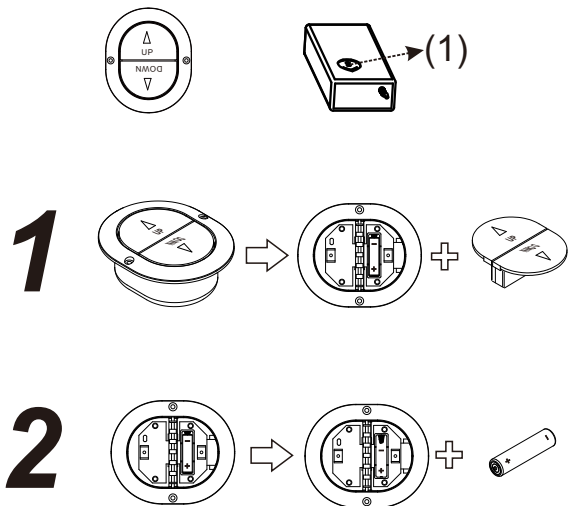
**Check Battery in the Switch**

**Battery Replacement**

Battery Specification: A23 - 12Volt  
Tool Requirement: Crosshead screwdriver.

Remove switch from side-rail of bed - follow the Steps:

Step 1: Take off the front buttons of the switch.  
(Push the lock bars at back if switch inwards to release front buttons).



Step 2: Change the battery making sure you fit it the correct way as shown....

Re-assemble switch.

Test the switch - then re-place in the side-rail correct way up-front of switch is marked.