

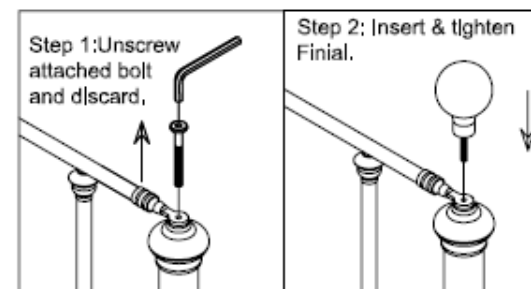
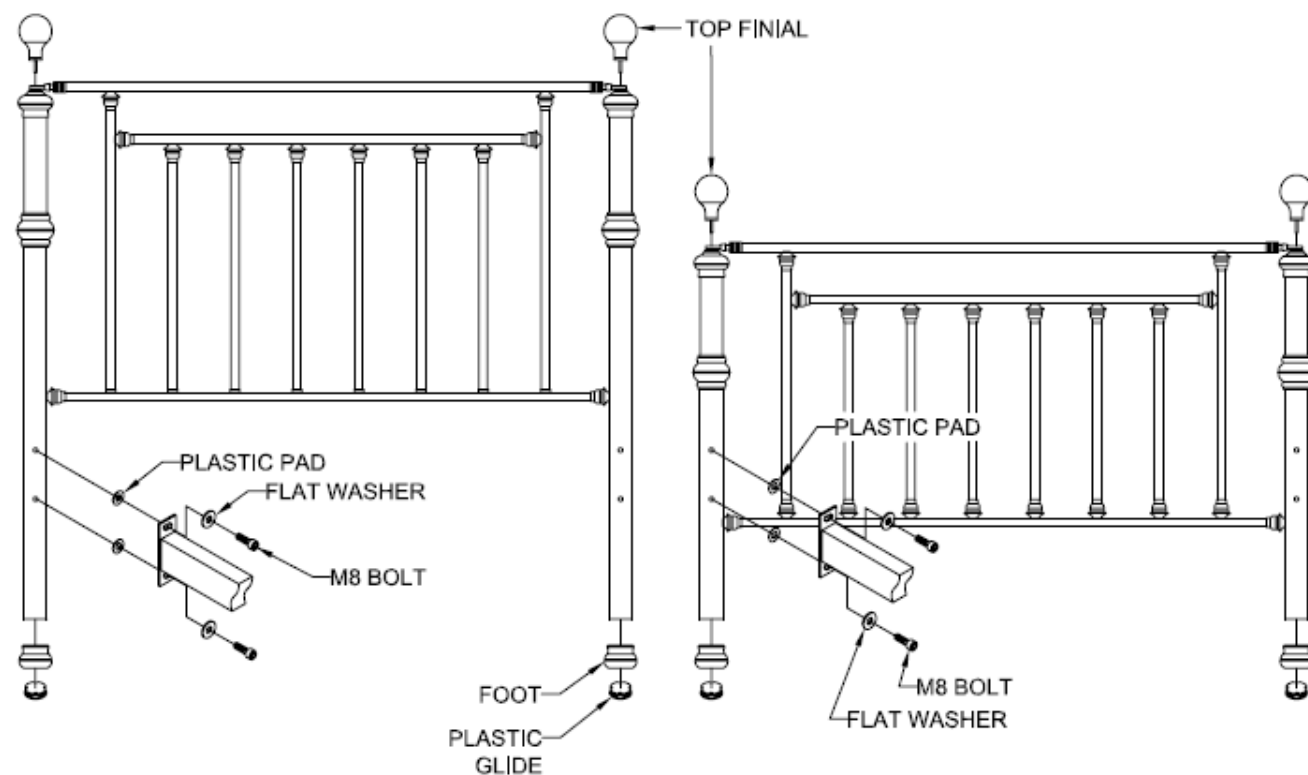


BENTLEY DESIGNS

CODE NO:M1122B-135 ROSALIND 135 CM BEDSTEAD MATT BLACK / SHINY NICKEL

CODE NO:M1122B-150 ROSALIND 150 CM BEDSTEAD MATT BLACK / SHINY NICKEL

NOTE: Please see separate instructions for base assembly



CARE OF YOUR BEDSTEAD

- Use a soft dry duster to clean your plated bedstead
- For stubborn stains, use a soft damp cloth and then revert to the soft dry duster
- PLEASE NOTE : Polishing materials and solvents should not be used, as they dissolve the protecting lacquer and allow oxidation of the genuine base material

We cannot accept responsibility for damage caused due to misuse of this product.

HARDWARE PACK

⊙ PLASTIC PAD 8 PCS

⊙ FINIAL 4PCS

⊙ FLAT WASHER 8 PCS

⊙ FOOT 4PCS

⊙ M8 BOLT 8 PCS

⊙ PLASTIC GLIDE 4PCS

⊙ 6 m/m ALLEN WRENCH 1PC

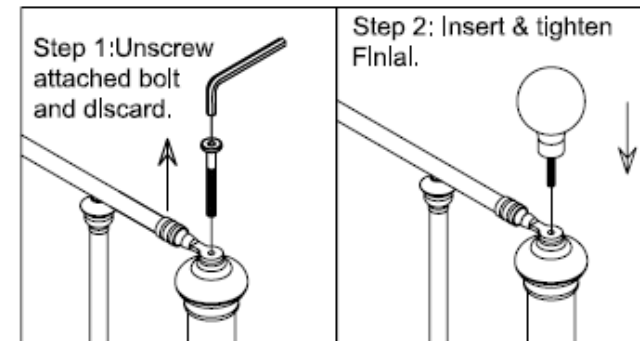
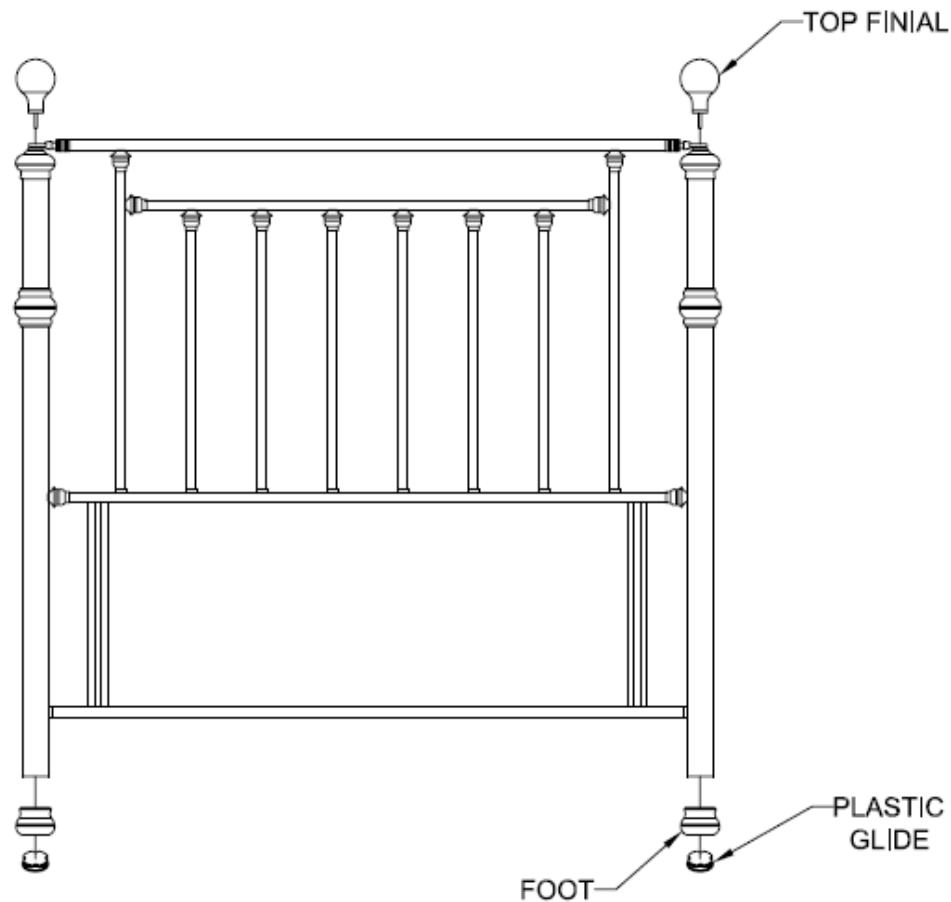
⊙ 4 m/m ALLEN WRENCH 1PC



BENTLEY DESIGNS

CODE NO:M1122H-135 ROSALIND 135 CM HEADBOARD MATT BLACK / SHINY NICKEL

CODE NO:M1122H-150 ROSALIND 150 CM HEADBOARD MATT BLACK / SHINY NICKEL



CARE OF YOUR BEDSTEAD

- Use a soft dry duster to clean your plated headboard
- For stubborn stains, use a soft damp cloth and then revert to the soft dry duster
- PLEASE NOTE : Polishing materials and solvents should not be used, as they dissolve the protecting lacquer and allow oxidation of the genuine base material

We cannot accept responsibility for damage caused due to misuse of this product.

HARDWARE PACK



FINIAL 2PCS



FOOT 2PCS

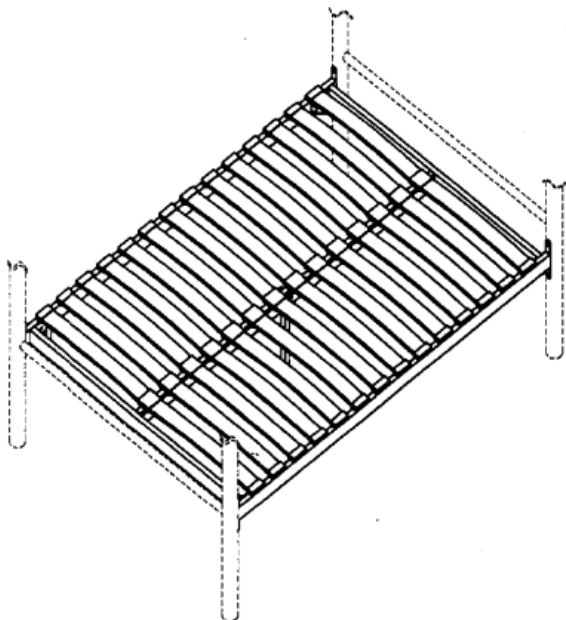


PLASTIC GLIDE 2PCS



4 m/m ALLEN WRENCH 1PC

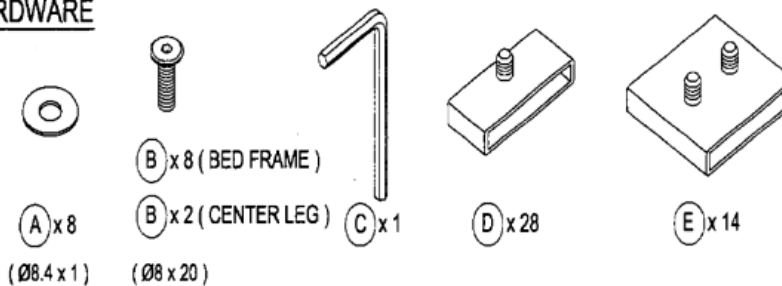
ASSEMBLY INSTRUCTION METAL SPRUNG SLAT BASE



135 CM : W 1341 x D 1920 x H 140
 150 CM : W 1511 x D 2020 x H 140
 180 CM : W 1817 x D 2020 x H 140

- Keep hardware and small parts out of children's reach.
- Wipe clean with a damp cloth only.
- Keep these instructions for future reference.
- Periodically check and re-tighten fixings if necessary.

HARDWARE



PARTS

