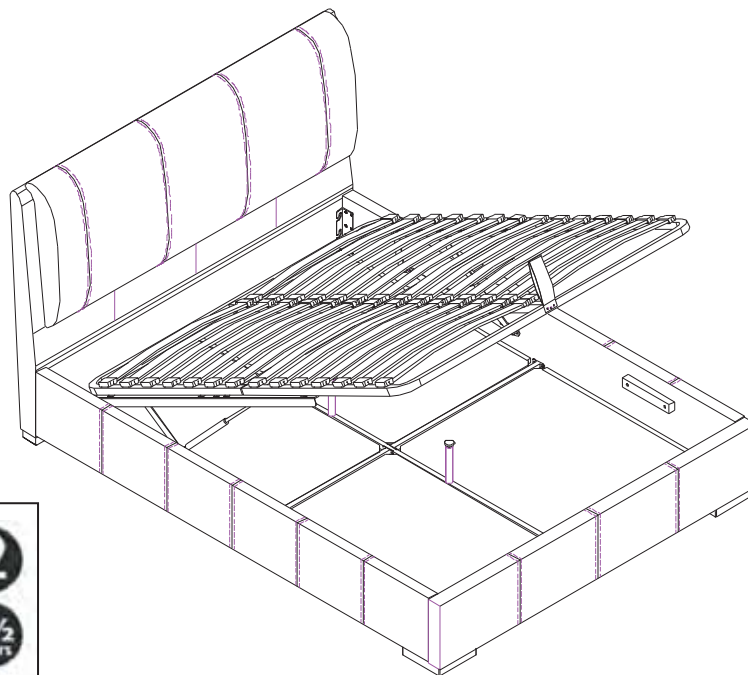




RIMINI BED

Assembly Instructions



Minimum No. of people recommended to assemble this product.
Approx assembly time:



NOTE: It will require two people to assemble this bed. Assembly should be carried out in the room that the bed will be used in.

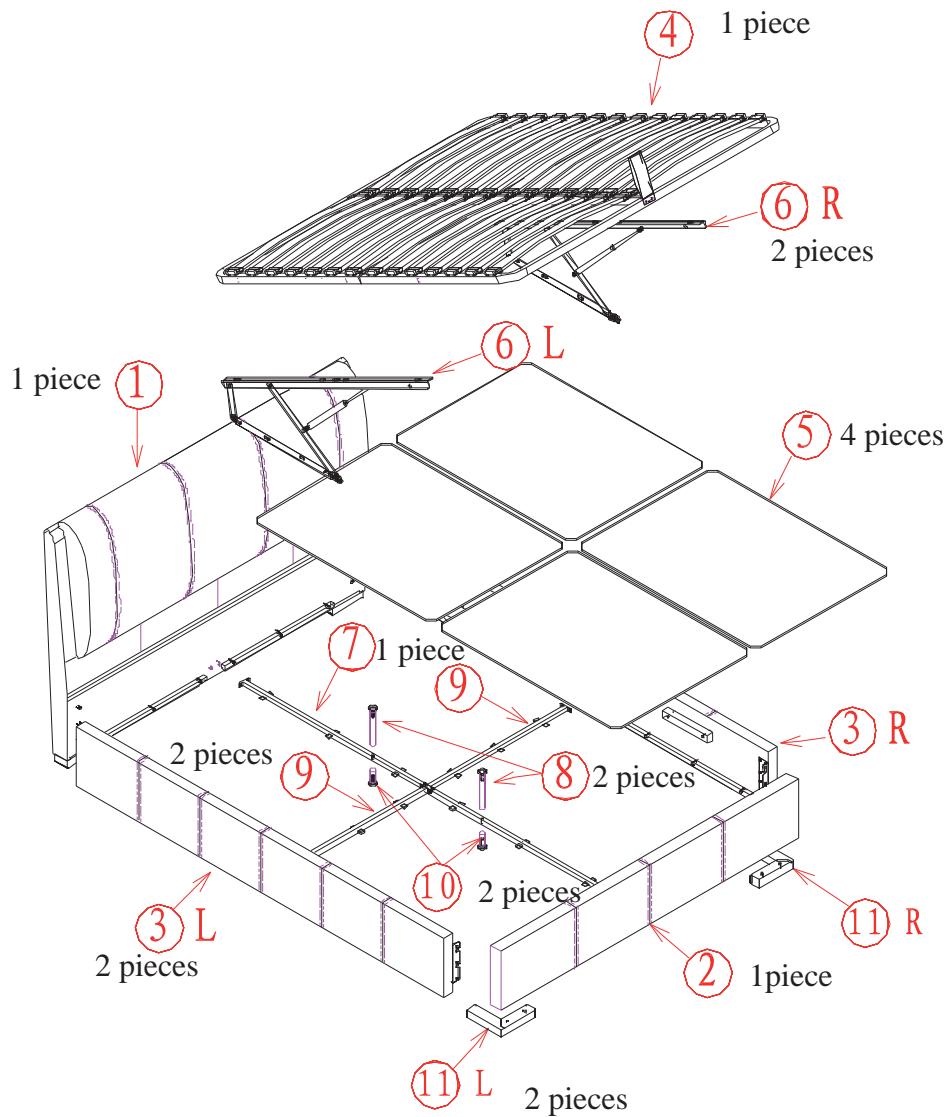
Before you start, here is some helpful advice

1. We suggest you spend a short time reading through this leaflet and then follow the simple step by step instructions.
2. If you follow the instructions carefully the end result should be worth the effort.
3. Do not discard any of the packaging until you have checked that you have all the parts and the pack of fittings.
4. Assemble this product on a carpet.
5. To ensure an easier assembly, we strongly advise that all fittings are only finger tightened during initial assembly. Only upon completion of the assembly should all fixing points be fully tightened.
6. We recommend a periodic check on all fixing points to make sure they remain fully tightened.
7. Keep glue and fittings out of children's reach.

In the unlikely event that this product has missing or damaged parts, please call 08442 920000 to obtain spares

Component parts and fittings contained in the box

PARTS

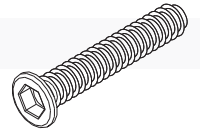


Fittings

A

M8 x 40

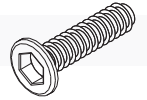
4pcs



B

M8 x25

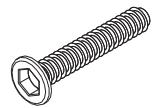
16pcs



C

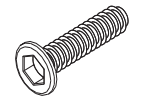
1/4" x 1"

8pcs



D

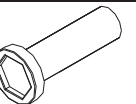
1/4" x 3/4" Bolt



2pcs

E

1/4" x 3/4" Jcn Nut



2pcs

F

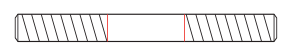
4MM Allen key



2pcs

G

M10 Connecting bolt



2pcs

H

5MM Allen key



1pc

I

Spanner



1pc

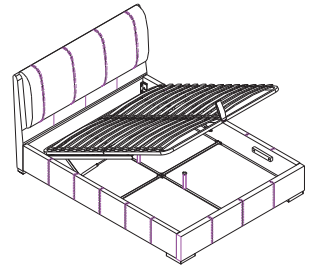
J

Nut

2pcs

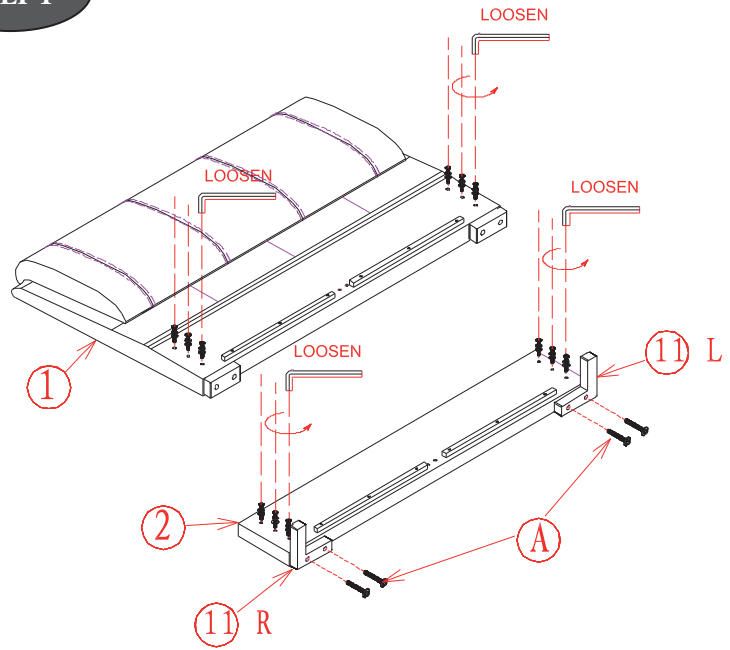


ASSEMBLY



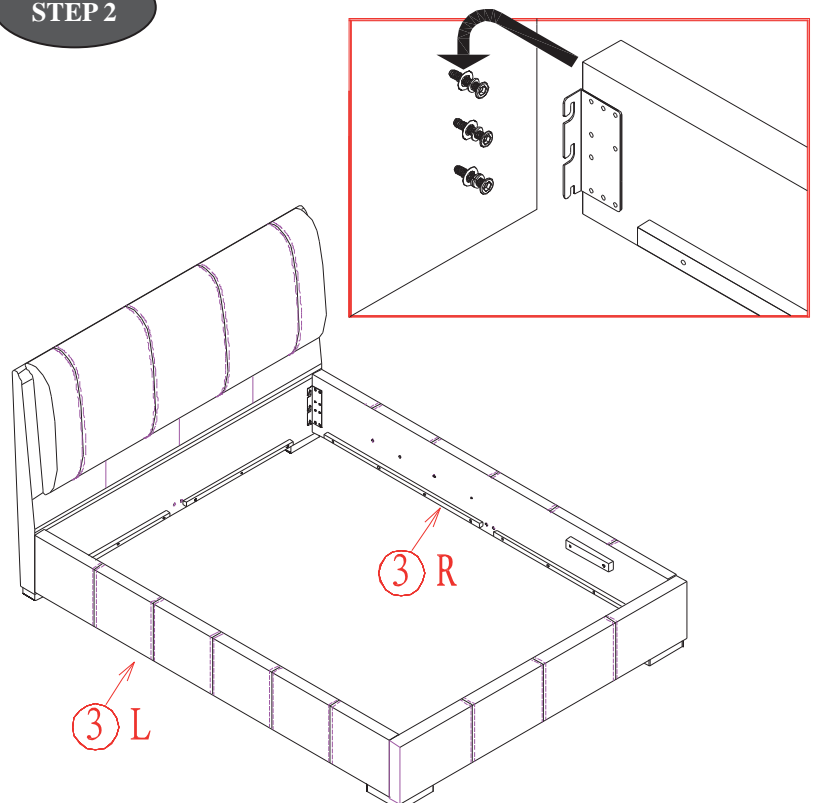
- 1) Loosen the bolt, washer and spring washer from the headboard "1" and footboard "2".
- 2) Use the bolts "A" to fix the legs "11" onto the footboard "2".

STEP 1

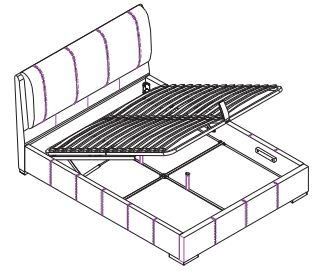


- 1) Carefully fit the side rails "3" to the headboard and footboard. (See inset).
- 2) Then tighten all the bolts using the Allen key "H".

STEP 2

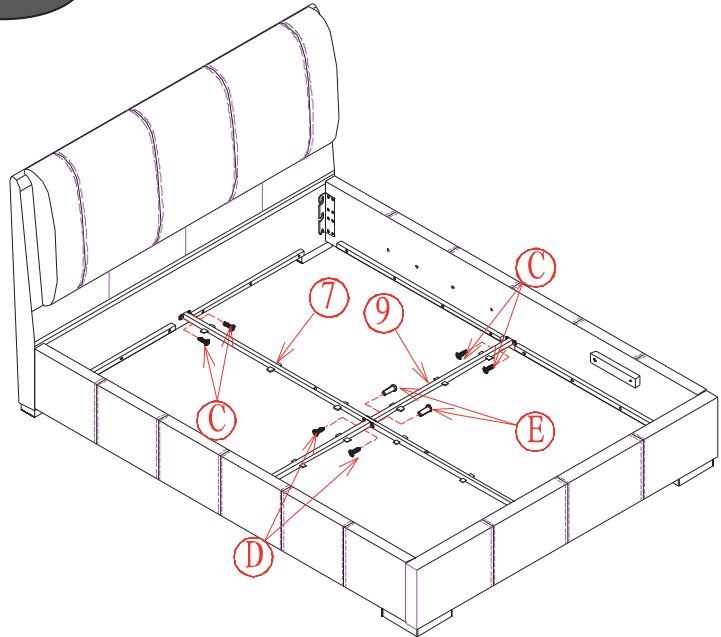


ASSEMBLY



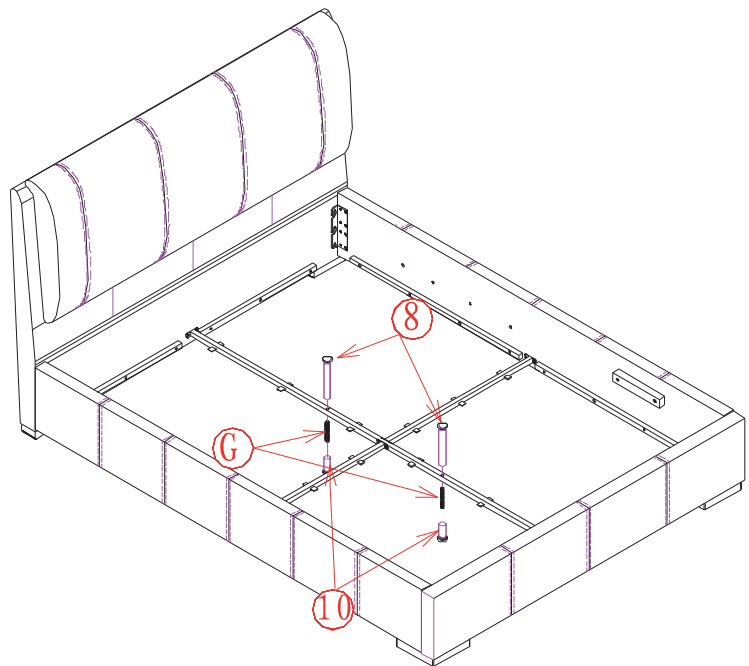
1) Use the bolts "C" to fix the long rail "7" onto the headboard and footboard, to fix the short rail "9" onto the side rail "3", then use the bolt "D" and Jcn Nut "E" to fix the short rail "9" onto the long rail "7".

STEP 3

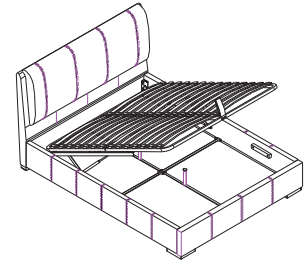


1) Use the Connecting bolts "G" to fix the legs "8" and "10" onto the long rail "7".

STEP 4

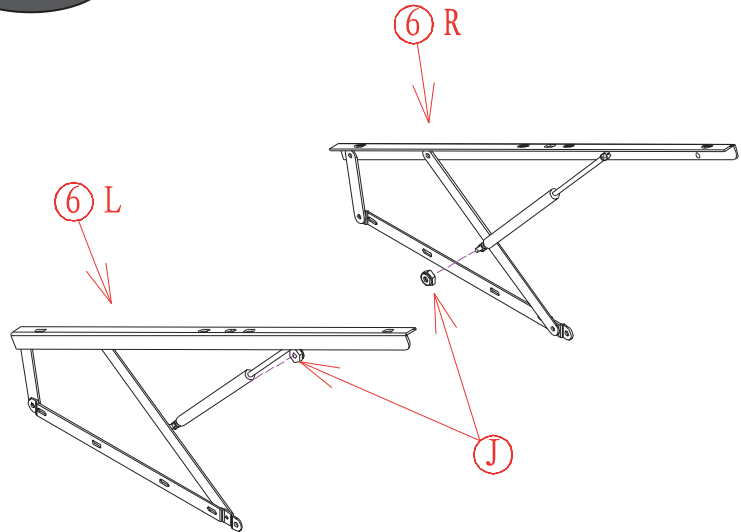


ASSEMBLY



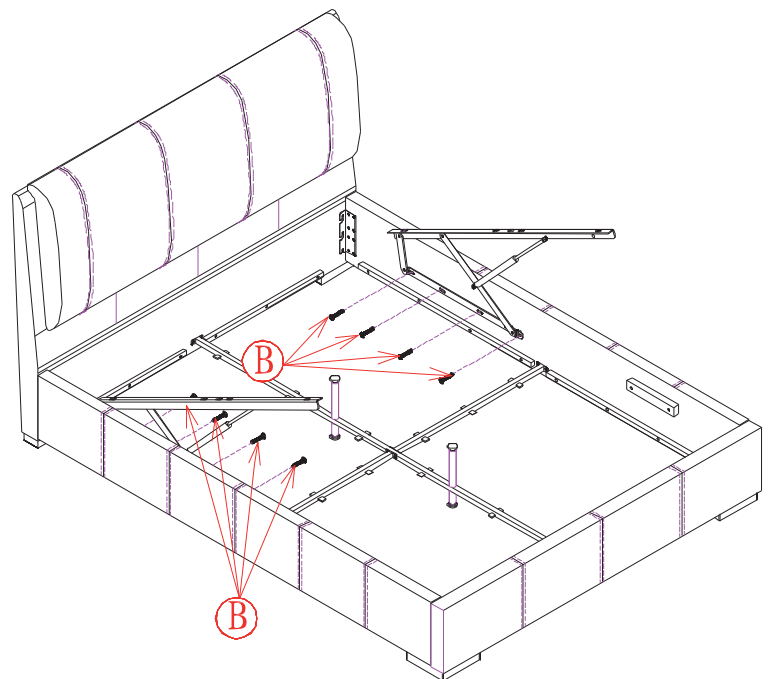
1) Screw the bolts "J" onto the piston bracket "6".

STEP 5

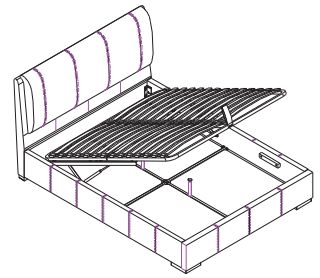


1) Use the bolts "B" to fix the piston bracket "6" onto the side rail "3".

STEP 6

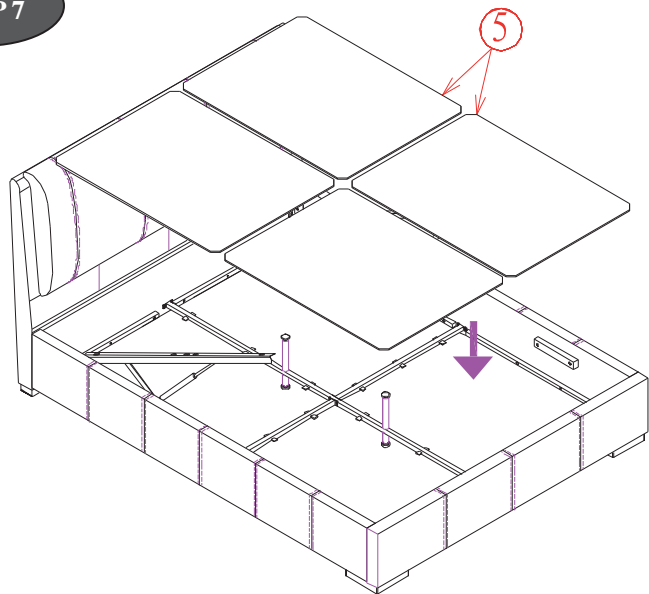


ASSEMBLY



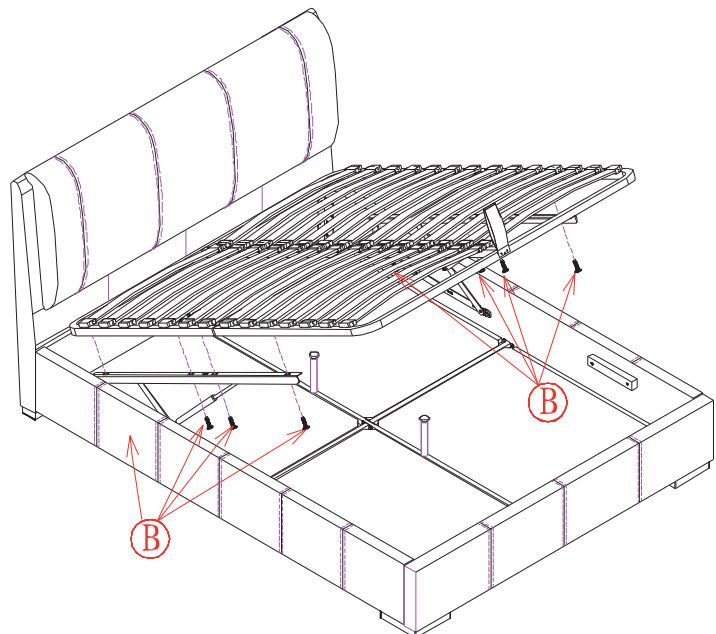
1) Carefully locate the panel "5" onto the unit.

STEP 7



1) Use the bolts "B" to fix the slat frame onto the piston bracket "6".

STEP 8



PLEASE NOTE

The pistons may appear a little 'stiff' when first fitted.

This is perfectly normal, but may make the slat frame difficult to lower and appear stuck in the 'up' position.

If this is the case, we advise the following actions:

- Try to fit the mattress onto the frame before lowering
- Try lowering the frame with two people.

Once moving, the pistons will loosen with use.