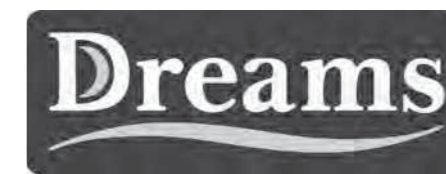


The Innovation Factory
 St. Columb Major
 Business Park,
 Cornwall
 TR9 6SX
 United Kingdom

CUSTOMER CARE
 FREEPHONE: 0800 389 8591 (UK only)
 www.worldsapart.com
 customercare@worldsapart.com

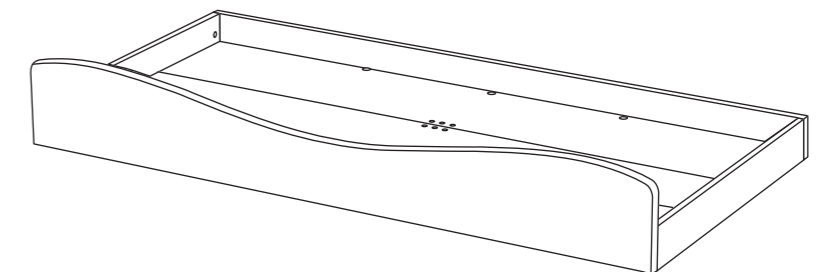
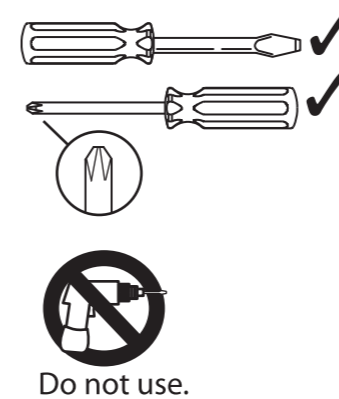
© 2012 Worlds Apart Limited, All Rights Reserved,
 Design Right Worlds Apart Limited
 INS.459 - DR 12/01/12

WARNING! Do not use if any part is missing, damaged or broken.
 DO NOT substitute parts. Use only additional or replacement parts supplied by Worlds Apart Ltd.
 Please call 0800 389 8591 to obtain spare parts or assembly assistance.



DISNEY PRINCESS TRUNDLE 453-00055

Assembly Instruction



Minimum No. of people recommended to assemble this product.




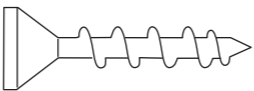
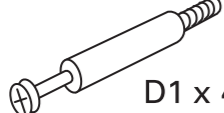

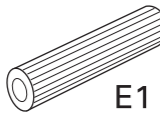

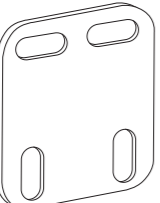
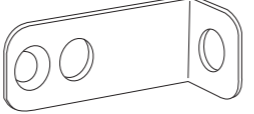
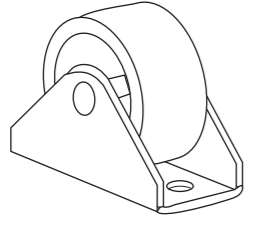
Approx assembly time.



Before you start, here is some helpful advice.

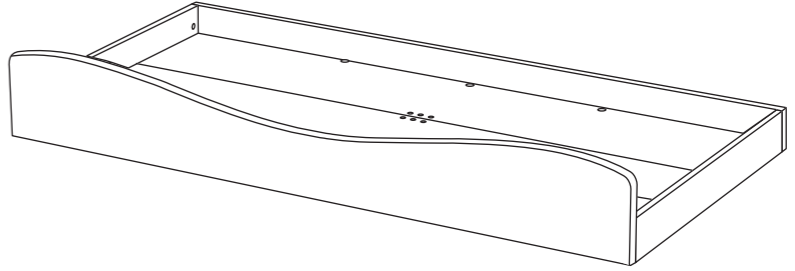
- Adult assembly required.
- This product is suitable for children from 3-12 years.
- Warning. Do not place this child's bed near heat sources, windows and other furniture
- WARNING. Do not use this child's bed if any part is broken, torn or missing.
- Children are likely to play, bounce and climb on beds, therefore the child's bed should not be placed too close to other furniture or windows. The bed should be placed either tight to any wall or have a gap of 30cm between the wall and the side of the bed.
- Check all fixings regularly, tighten if necessary, and check that the suspension system is secure.
- Do not use this item if any components are missing or damaged. Do not substitute parts. Use only additional or replacement parts supplied by Worlds Apart Ltd.
- Wipe clean using warm water.
- Size of mattress to be used: 190cm x 90cm
- Child's bed conforms to BS 8509 : 2008
- Made in China.

IMPORTANT! KEEP FOR FUTURE REFERENCE.

FITTINGS	
 A7 x 3	 A8 x 16
 D1 x 4	 D6 x 4
 E1 x 4	 E21 x 22
 E22 x 2	 E23 x 7
 E29 x 8	

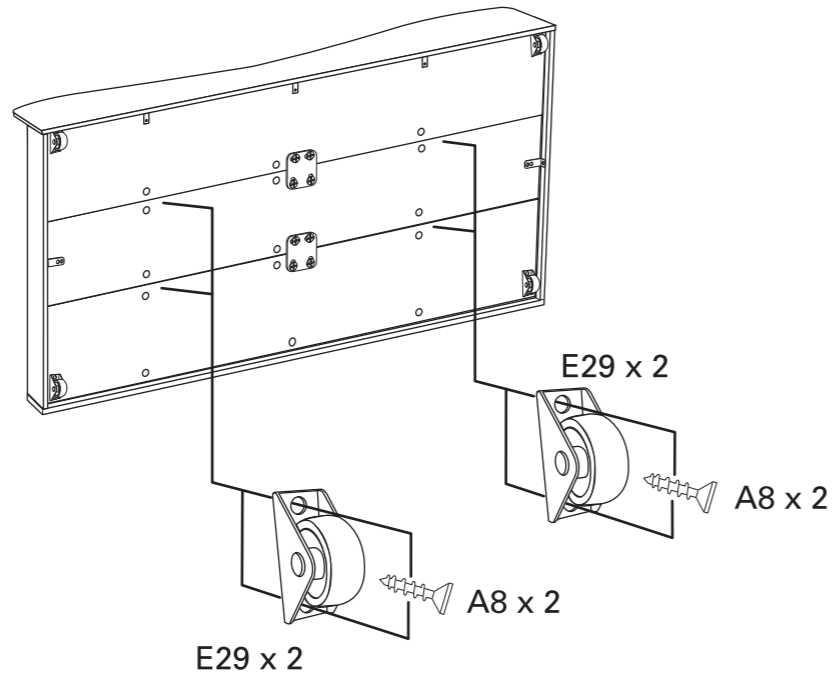
Complete trundle ready to use.

STEP 16



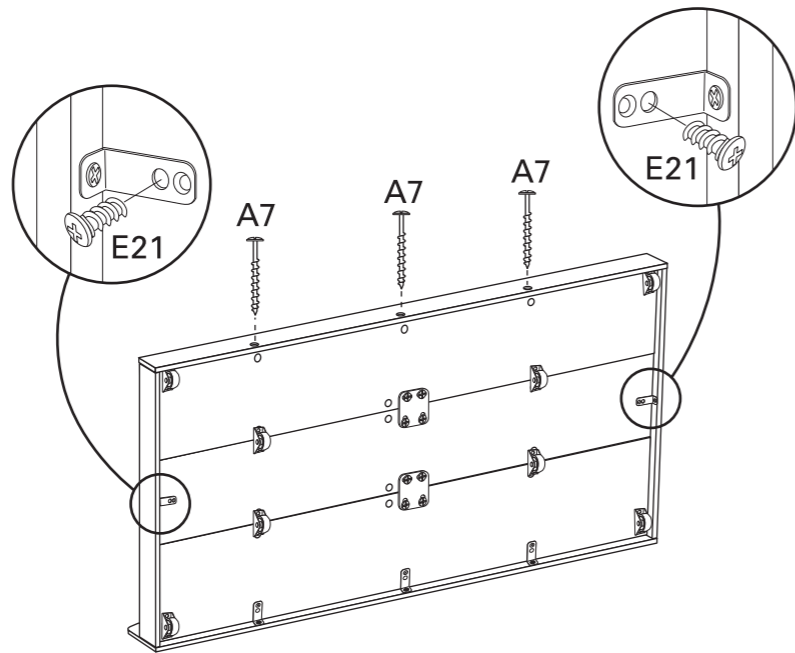
Attach casters "E29 x 4" to the underside of the trundle using screws "A8 x 8".

STEP 14

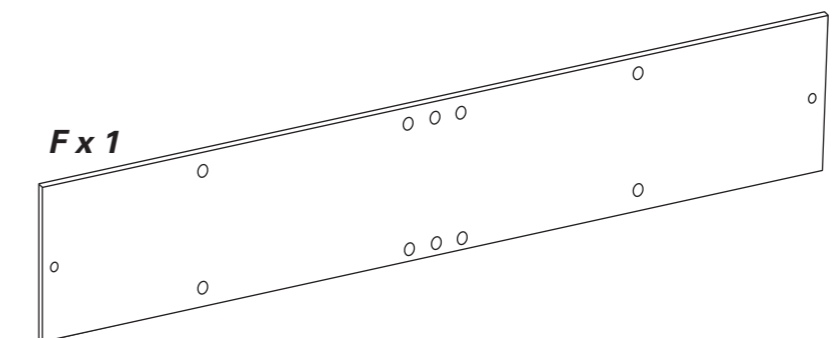
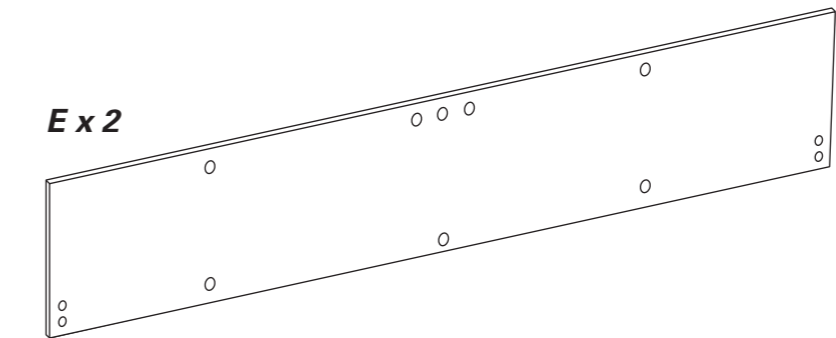
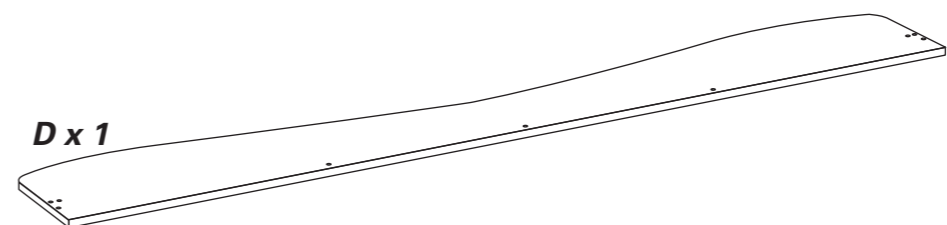
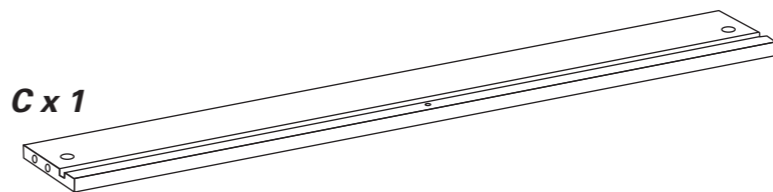
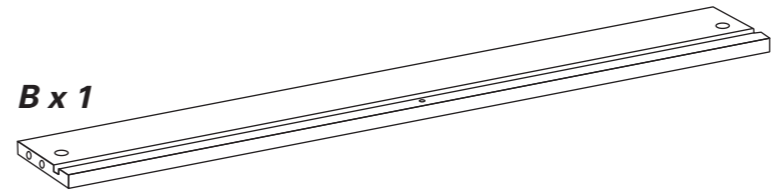
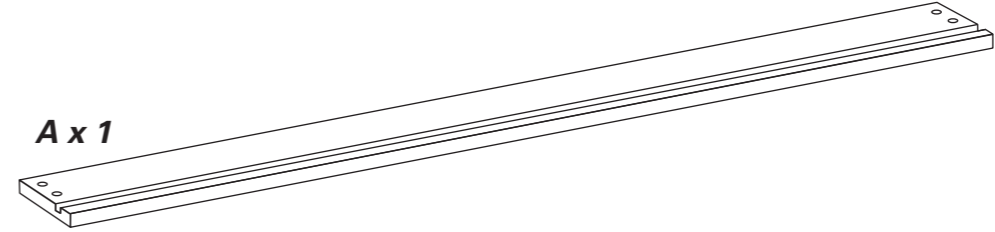


Secure panels "B & C" to panel "F" using screws "E21 x 2".

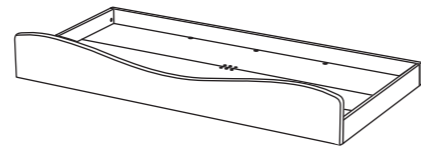
STEP 15



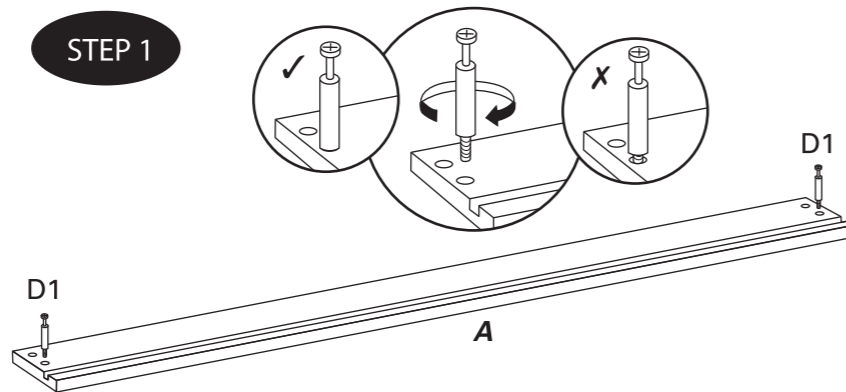
PARTS



Assembly

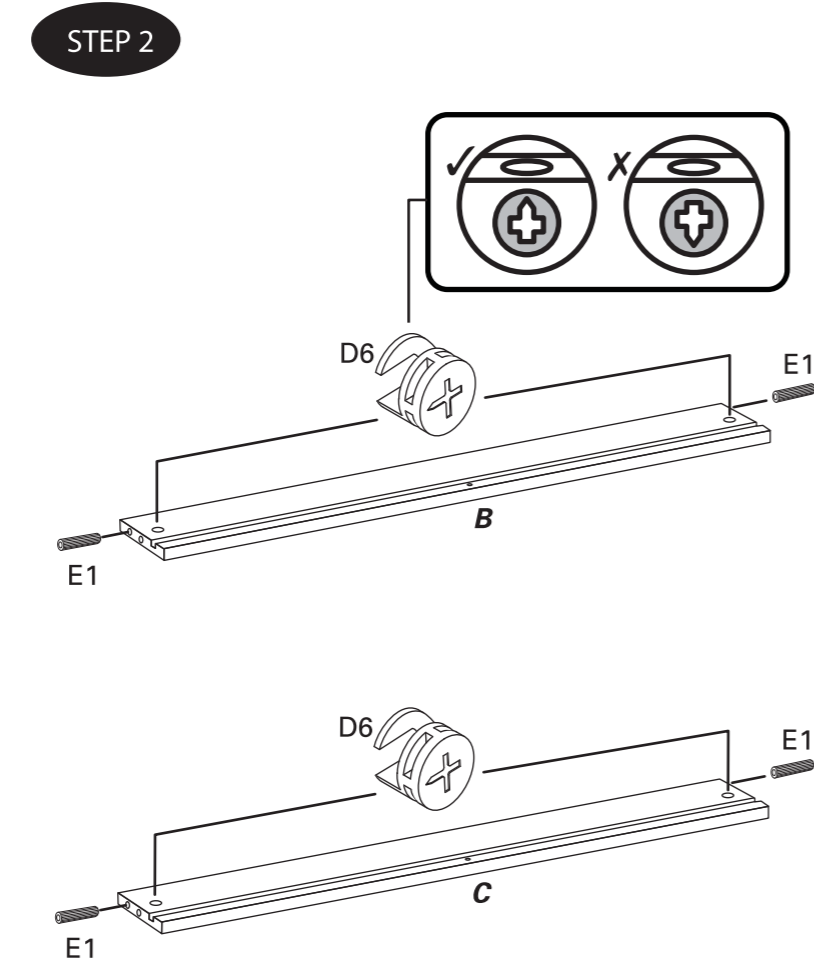


Screw cambolts "D1 x 2" into panel "A".



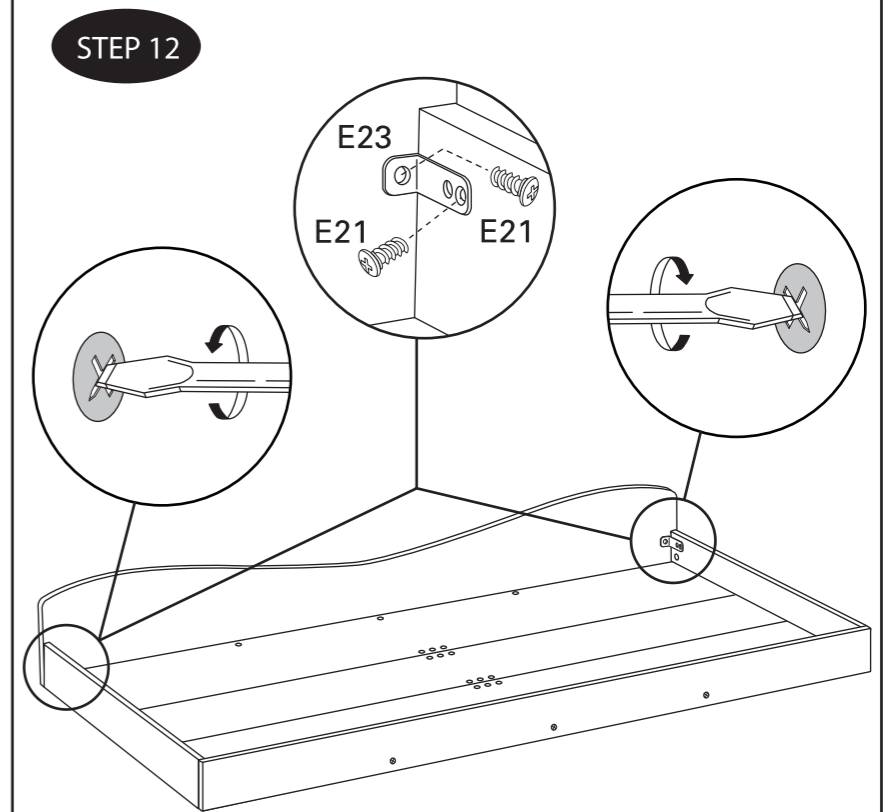
Insert camlocks "D6 x 4" into panels "B & C" by hand.

Insert dowels "E1 x 4" into panels "B & C" by hand.

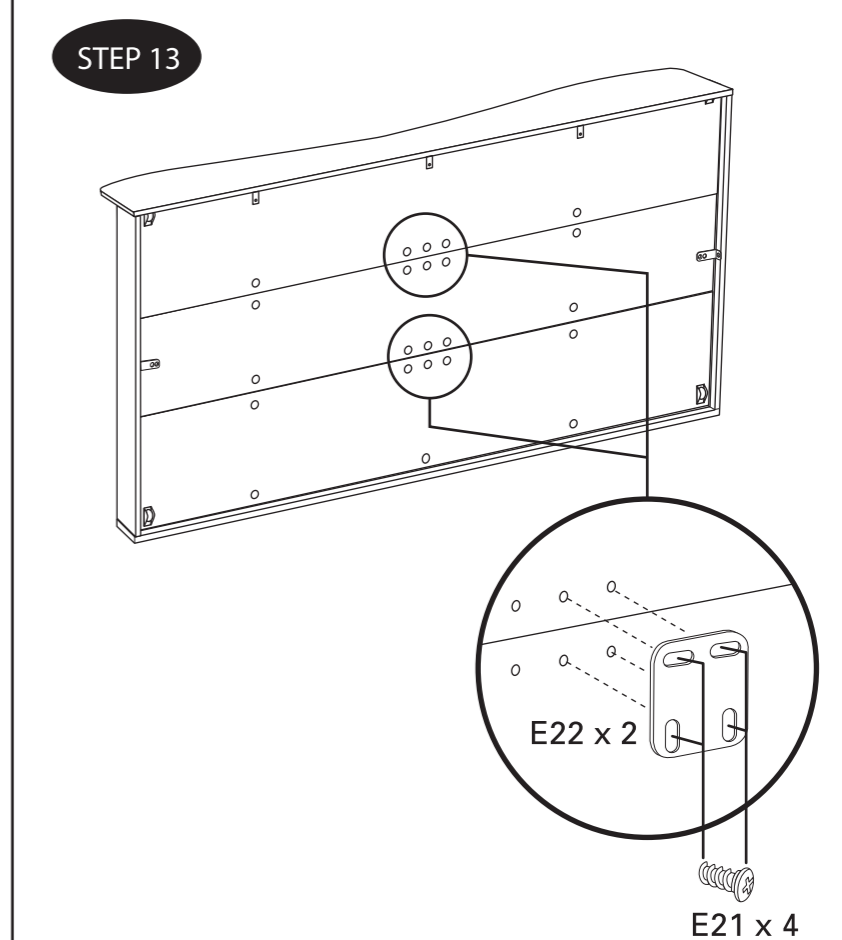


Attach bracket "E23 x 2" using screws "E21 x 4" to the inside of the trundle as shown.

Lock the camlocks "D6 x 2" on the inside of the trundle as shown.

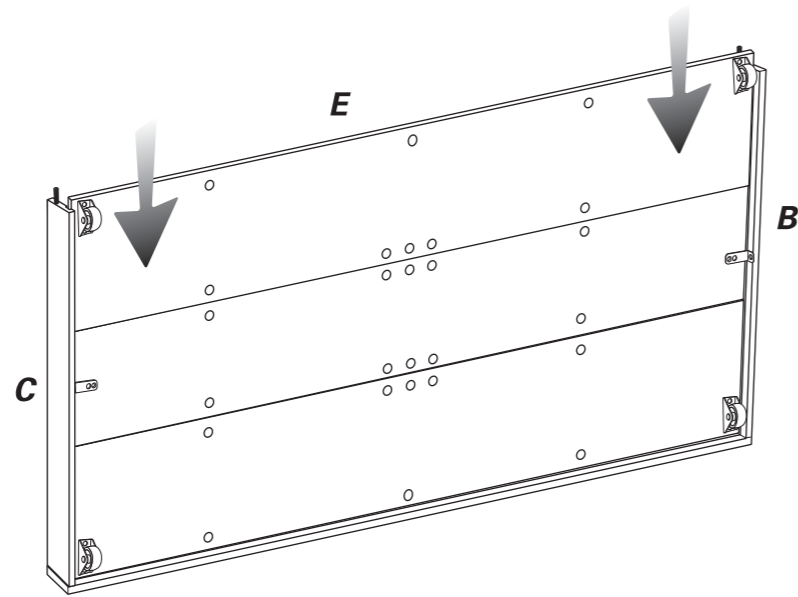


Attach plate "E22 x 2" to the underside of the trundle and screw into place using screws "E21 x 8".



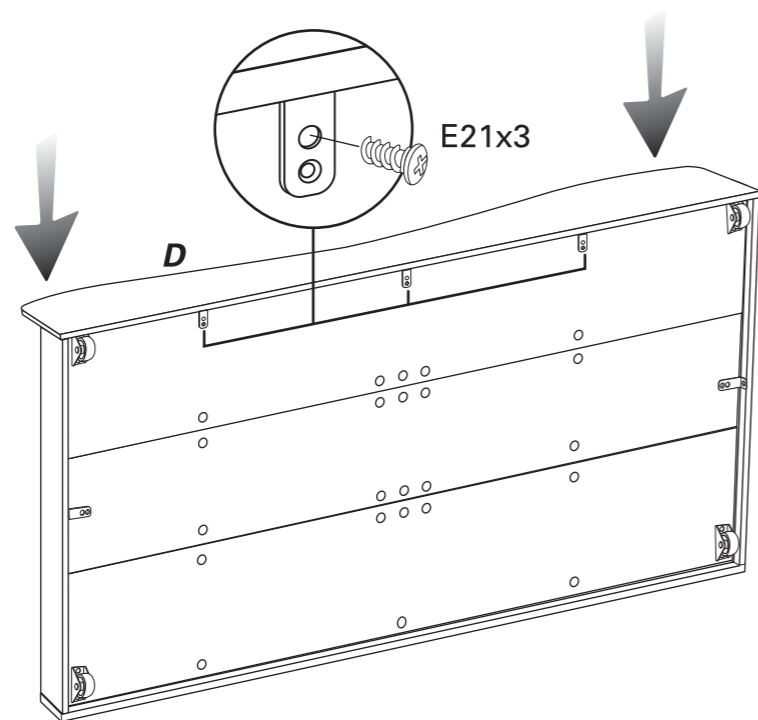
Slot panel "E x 1" into panels "A & B" as shown.

STEP 10



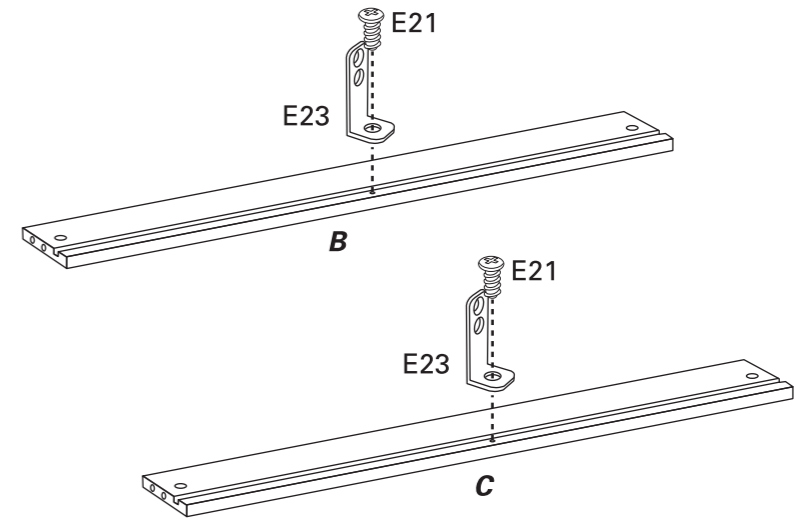
Attach panel "D" onto trundle frame and screw into place using screws "E21 x 3".

STEP 11



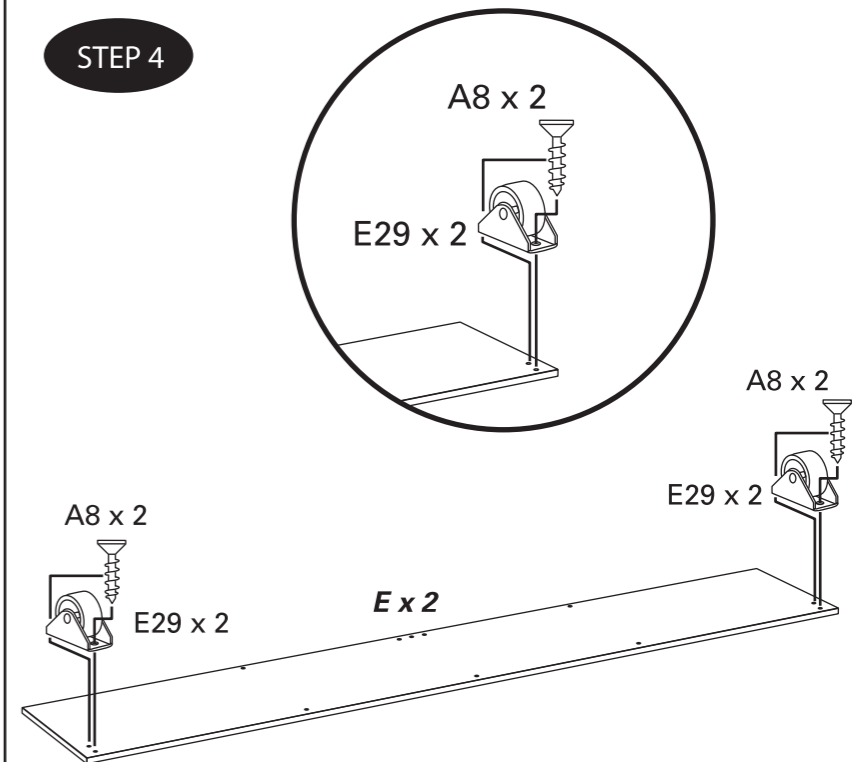
Attach bracket "E23 x 2" onto panels "B & C" using screws "E21 x 2".

STEP 3



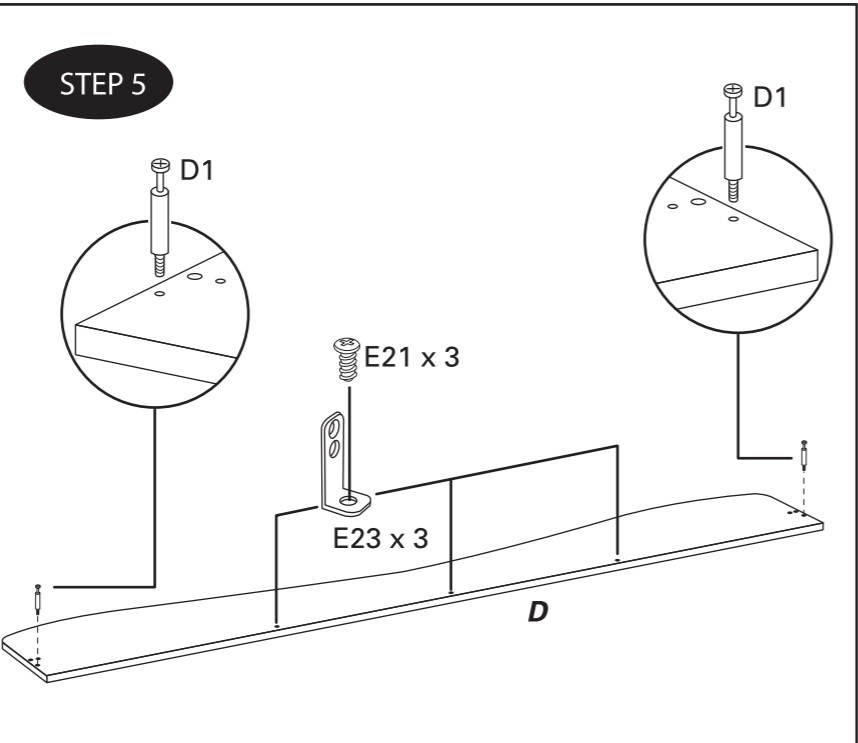
Attach casters "E29 x 4" onto panel "E x 2" using screws "A8 x 8".

STEP 4

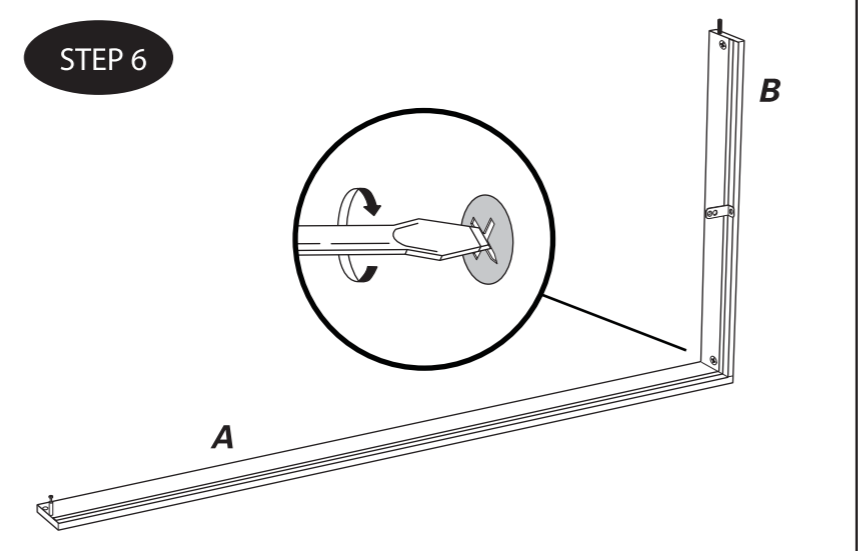


Screw cambolts "D1 x 2" into panel "D".

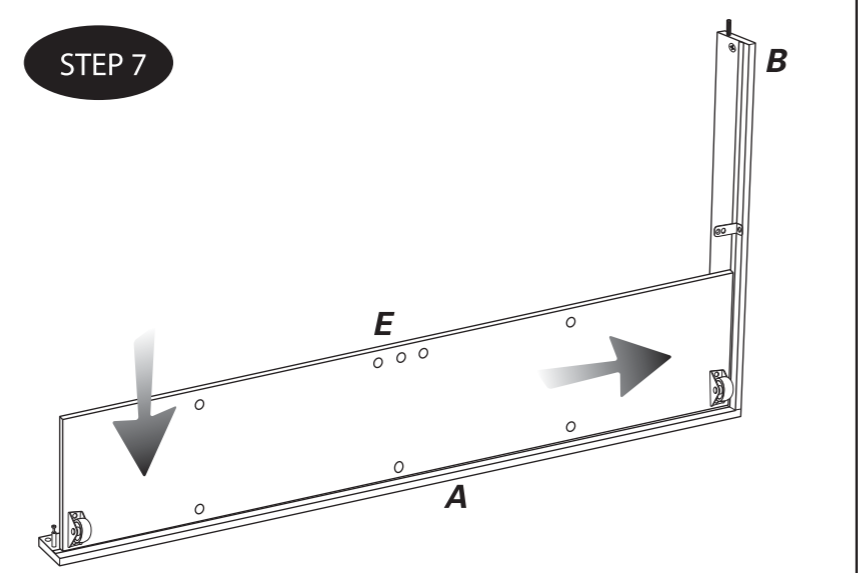
Attach bracket "E23 x 3" onto panel "D" using screws "E21 x 3".



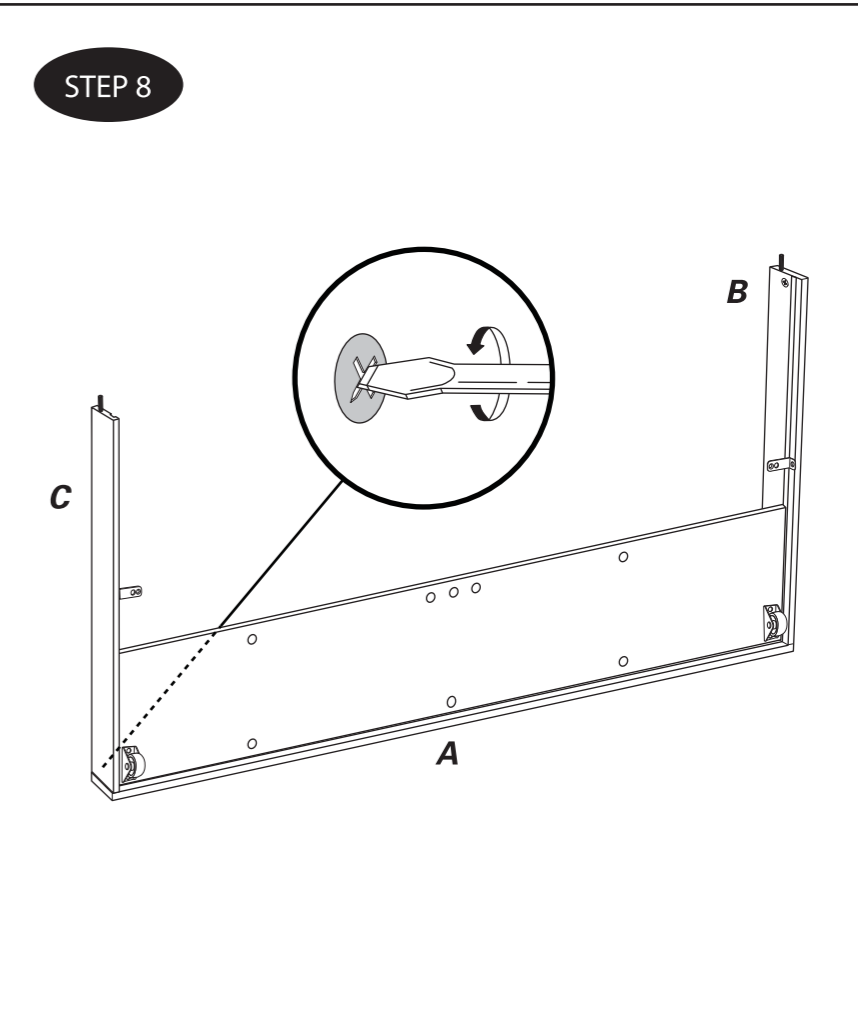
Attach panel "A" onto panel "B" and lock into place as shown.



Slot panel "E x 1" into panels "A & B" as shown.



Attach panel "C" onto panel "A" and lock into place as shown.



Slot panel "F" into panels "A & B" as shown.

