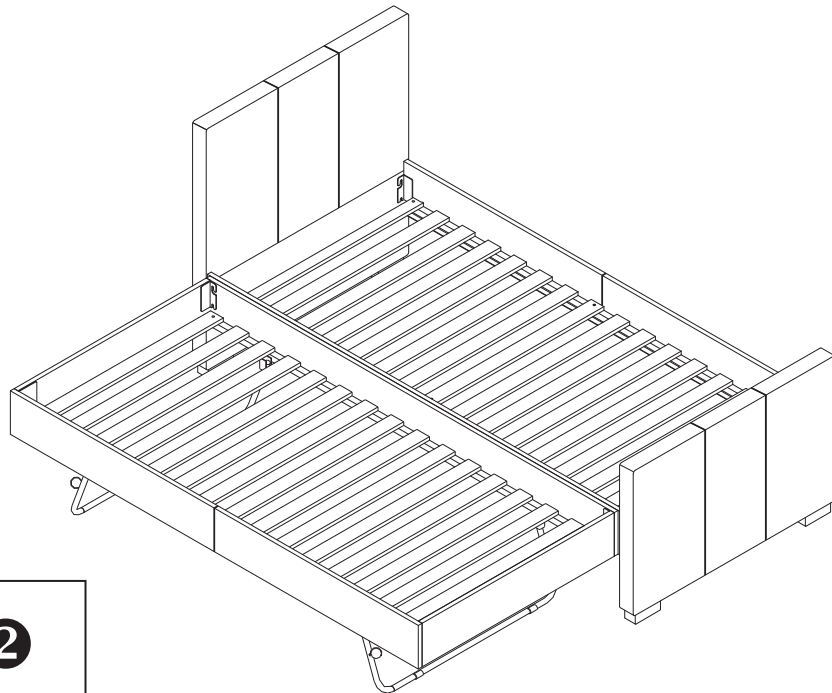


Dreams

PISA SINGLE GUEST BED

Assembly Instructions



Minimum No. of people
recommended to assemble
This product.

2

Approx assembly time:

1/2
hour

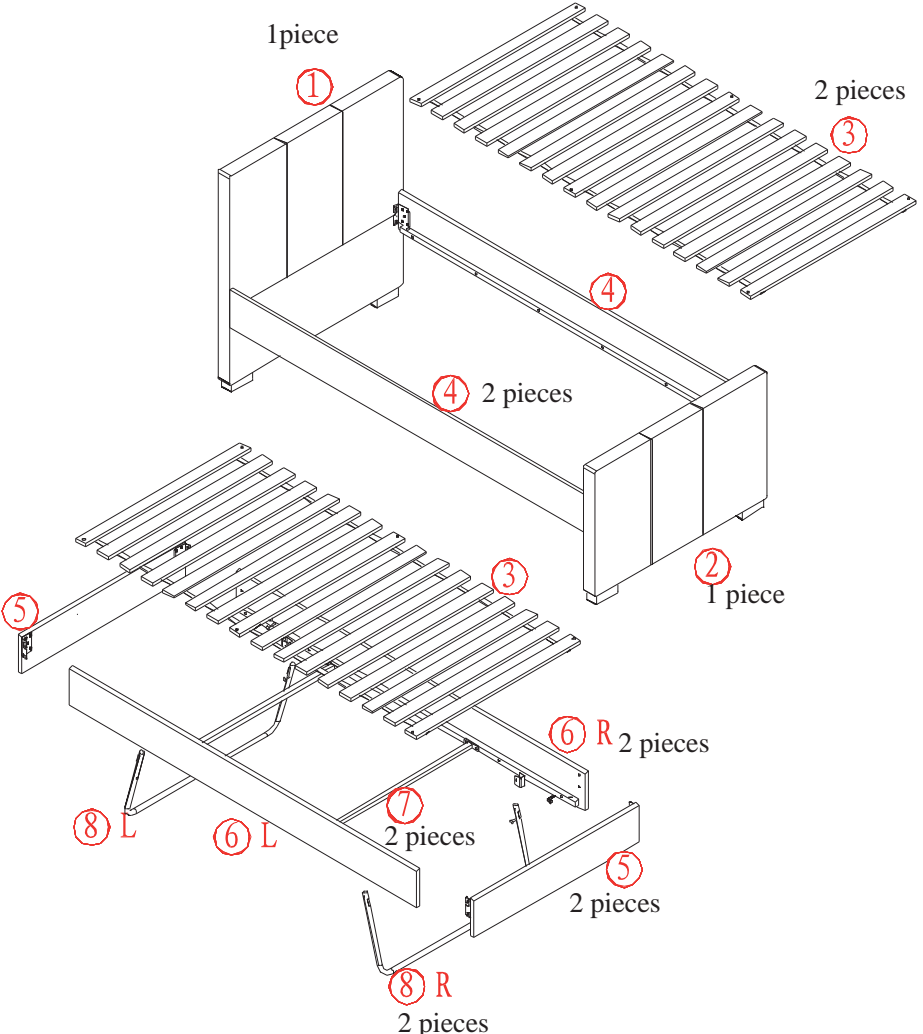
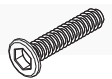


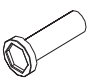
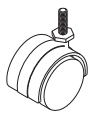


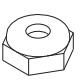



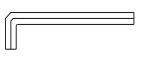

NOTE: It will require two people to assemble this bed. Assembly should be carried out in the room that the bed will be used in.

**Before you
start, here
is some
helpful advice**

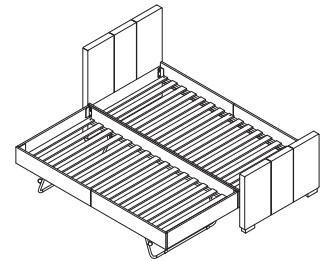
1. We suggest you spend a short time reading through this leaflet and then follow the simple step by step instructions.
2. If you follow the instructions carefully the end result should be worth the effort.
3. Do not discard any of the packaging until you have checked that you have all the parts and the pack of fittings.
4. Assemble this product on a carpet.
5. To ensure an easier assembly, we strongly advise that all fittings are only finger tightened during initial assembly. Only upon completion of the assembly should all fixing points be fully tightened.
6. We recommend a periodic check on all fixing points to make sure they remain fully tightened.
7. Keep glue and fittings out of children's reach.

In the unlikely event that this product has missing or damaged parts, please call 08442 920000 to obtain spares.

Component parts and fittings contained in the box

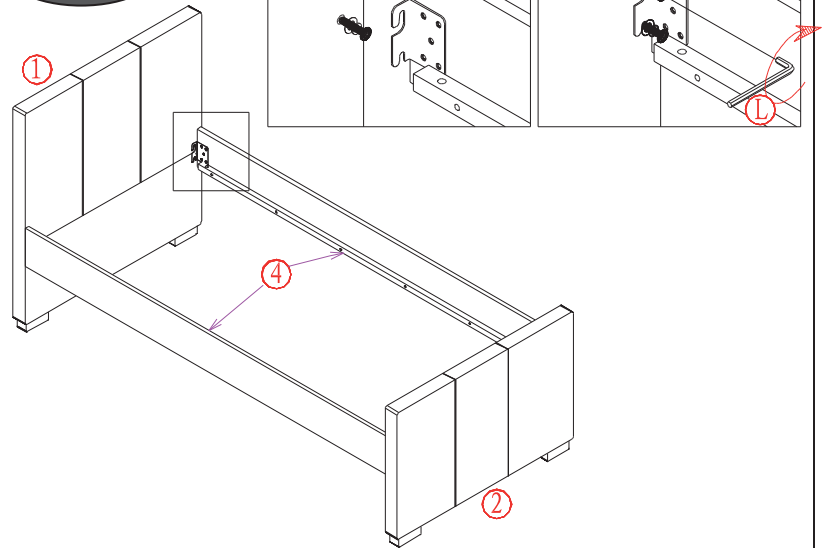
PARTS	Fittings (A)
	<p>A</p>  <p>M8*20mm 8pcs</p>
	<p>B</p>  <p>Φ6 Washer 8pcs</p>
	<p>C</p>  <p>1/4*1-3/8mm 8pcs</p>
	<p>D</p>  <p>1/4 JCN Nut 8pcs</p>
	<p>E</p>  <p>Wheel 4pcs</p>
	<p>F</p>  <p>30mm Screw 2pcs</p>
	<p>G</p>  <p>M6*35mm 4pcs</p>
	<p>H</p>  <p>M6 Nut 4pcs</p>
	<p>I</p>  <p>Mechanical spring 2pcs</p>
	<p>J</p>  <p>Haulage belt 1pc</p>
	<p>K</p>  <p>4MM Allen key 2pcs</p>
	<p>L</p>  <p>5MM Allen key 1pc</p>
	<p>M</p>  <p>Spannel 1pc</p>

ASSEMBLY



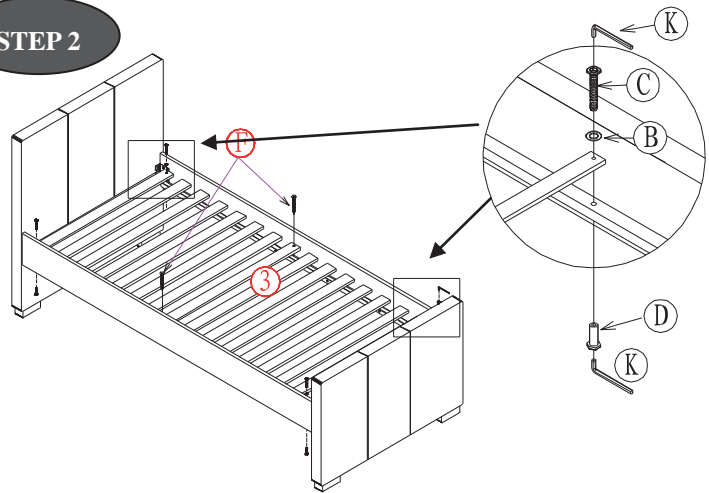
1) Attachment of side rail to head/footboard.

STEP 1



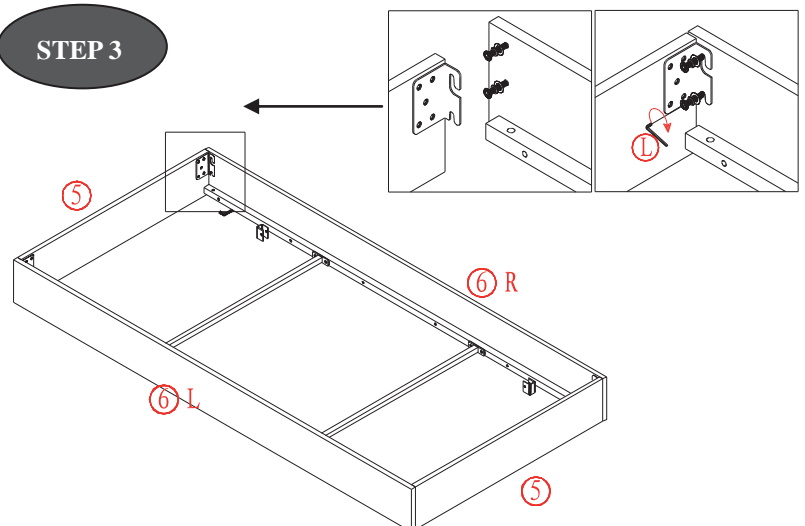
1) Carefully place the slat frame onto the bed.
2) Attachment of slat on unit.

STEP 2

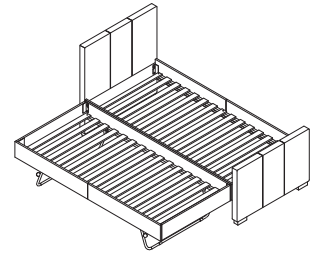


1) Attachment of Head/footboard to side rails.

STEP 3

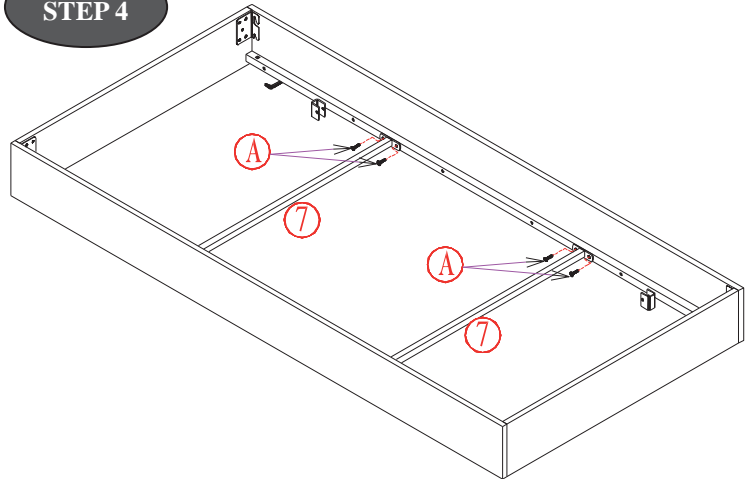


ASSEMBLY



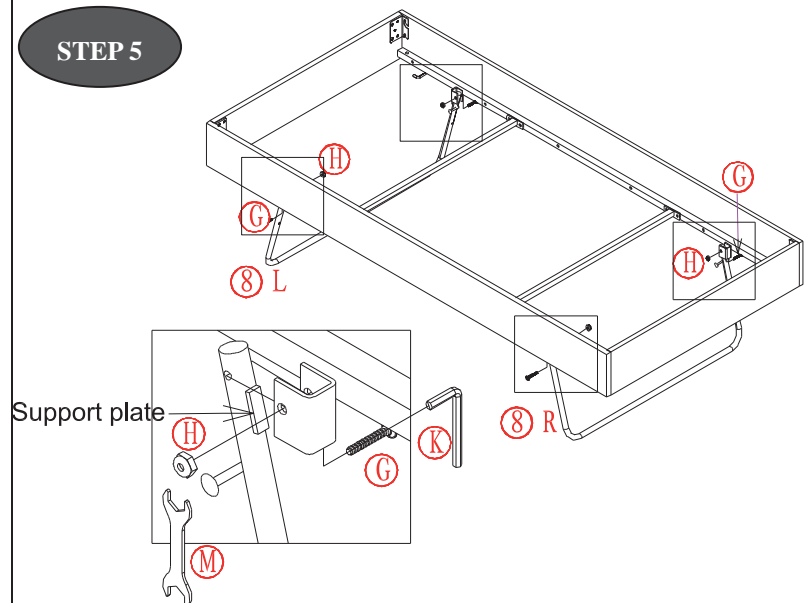
1) Attachment of center rail to side rail.

STEP 4



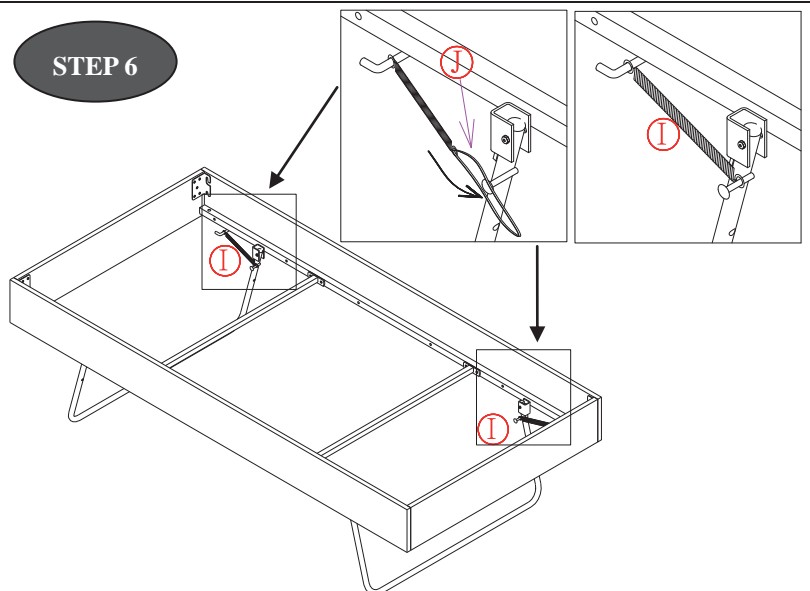
1) Attachment of support leg to side rail.

STEP 5

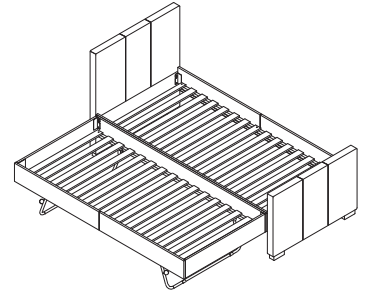


1) Attachment of the Mechanical spring on the unit.

STEP 6

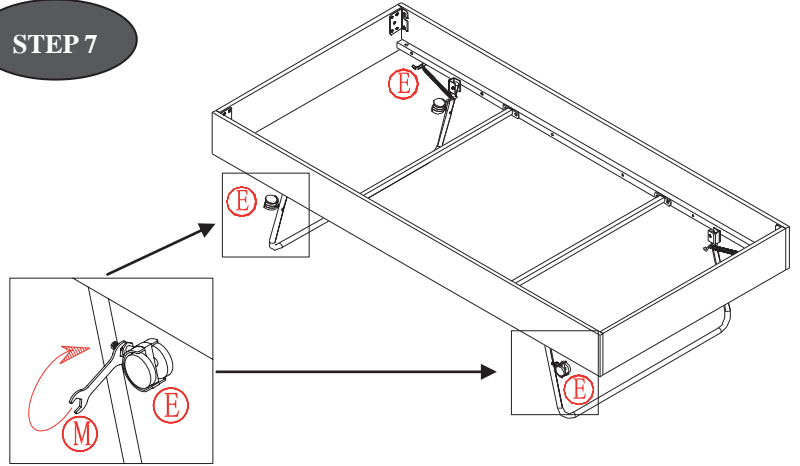


ASSEMBLY



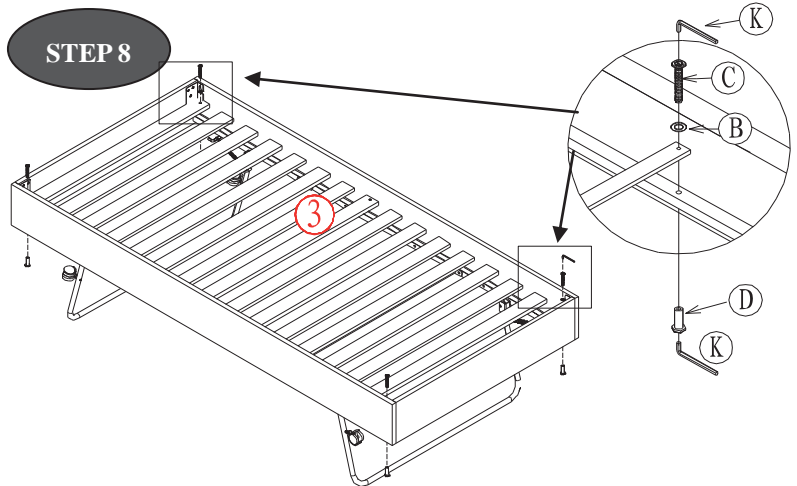
1) Attachment of the Wheels on the support leg.

STEP 7



1) Attachment of slat on unit.

STEP 8



1) Slot in the Trundle.

STEP 9

