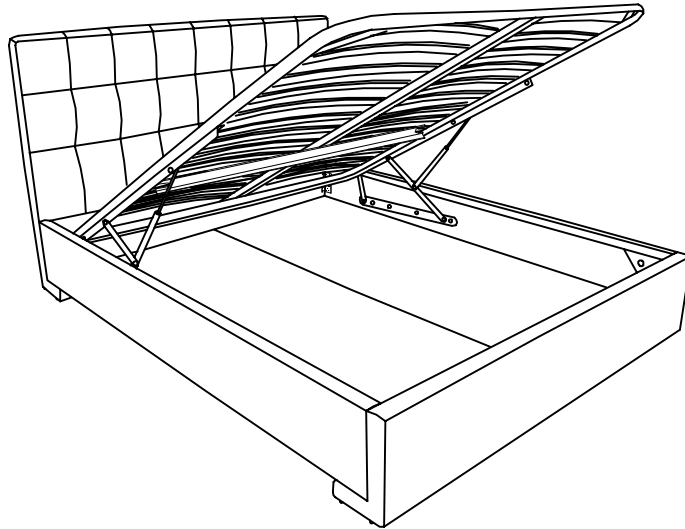




Assembly Instruction

Palermo Bed



Helpful Advice

Please do not discard any of the packaging or instruction book until you have checked the parts and fittings for the assembly.

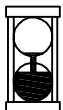
Assemble all parts loosely until advised to tighten. Depending on use, it may be necessary to tighten the fittings from time to time, so please save your allen key and spanner that has been provided.

Please ensure children do not play in the storage area or try to lift up the metal frame.

Please do not stand on the storage base boards at any time.

The lift up action maybe a little stiff at first, but will ease after use.

Only use the handle to lift and lower the bed frame to avoid trapping fingers!



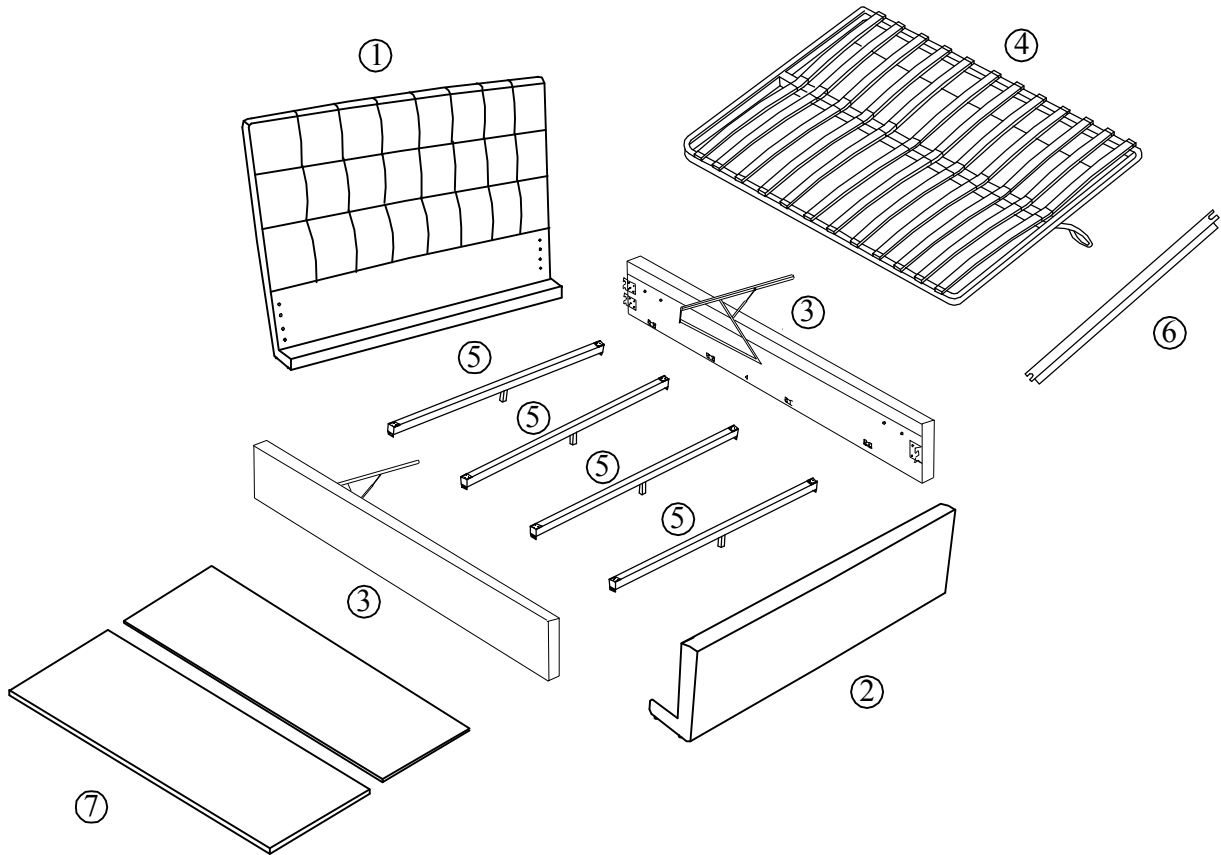
Approx assembly time: 90 min







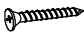


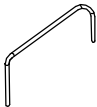




Min no. of people recommended to assemble this product.

In the unlikely event that this product has missing or damaged parts, please call customer service on 08442 920000 to request spare or replacement parts.

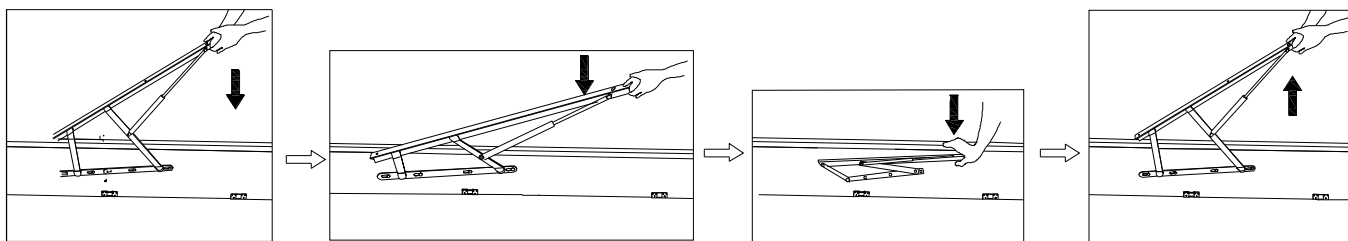
No	Quantity	Parts
1	1	Headboard
2	1	Footboard
3	2	Side Rails
4	1	Metal Frame Base and Bent Slats
5	4	Wooden Horizontal Support Bar
6	1	Metal Horizontal Support Bar
7	2	Storage Board



<p>A x 20</p>  <p>M8 * 30mm</p>	<p>B x 6</p>  <p>M8 * 50mm</p>	<p>C x 26</p> 	<p>D x 32</p> 
<p>E x 6</p>  <p>M8 * 13mm</p>	<p>F x 2</p> 	<p>G x 3</p>  <p>M5 * 50mm</p>	<p>H x 1</p> 
<p>I x 1</p> 	<p>J x 2</p> 	<p>K x 2</p> 	<p>L x 1</p> 

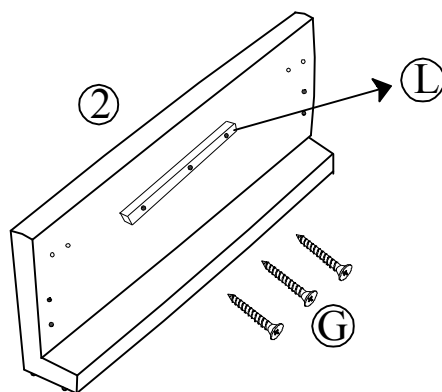
Assembly

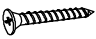
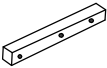
01



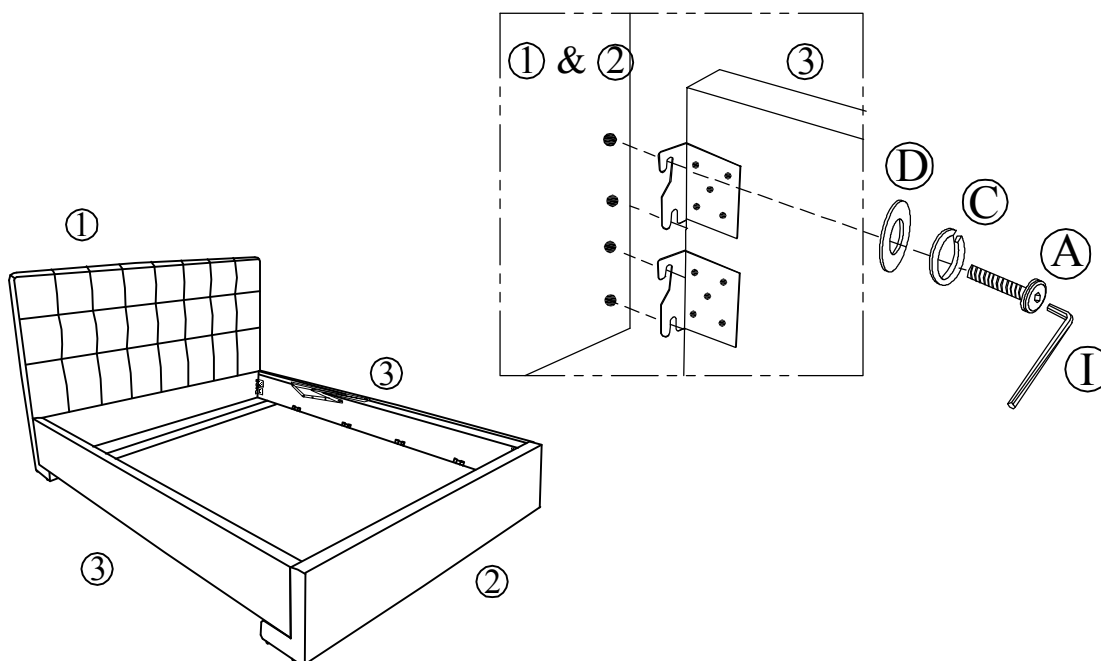
Please check hydraulic arms workable before assembling the bed.





02



G x 3

L x 1


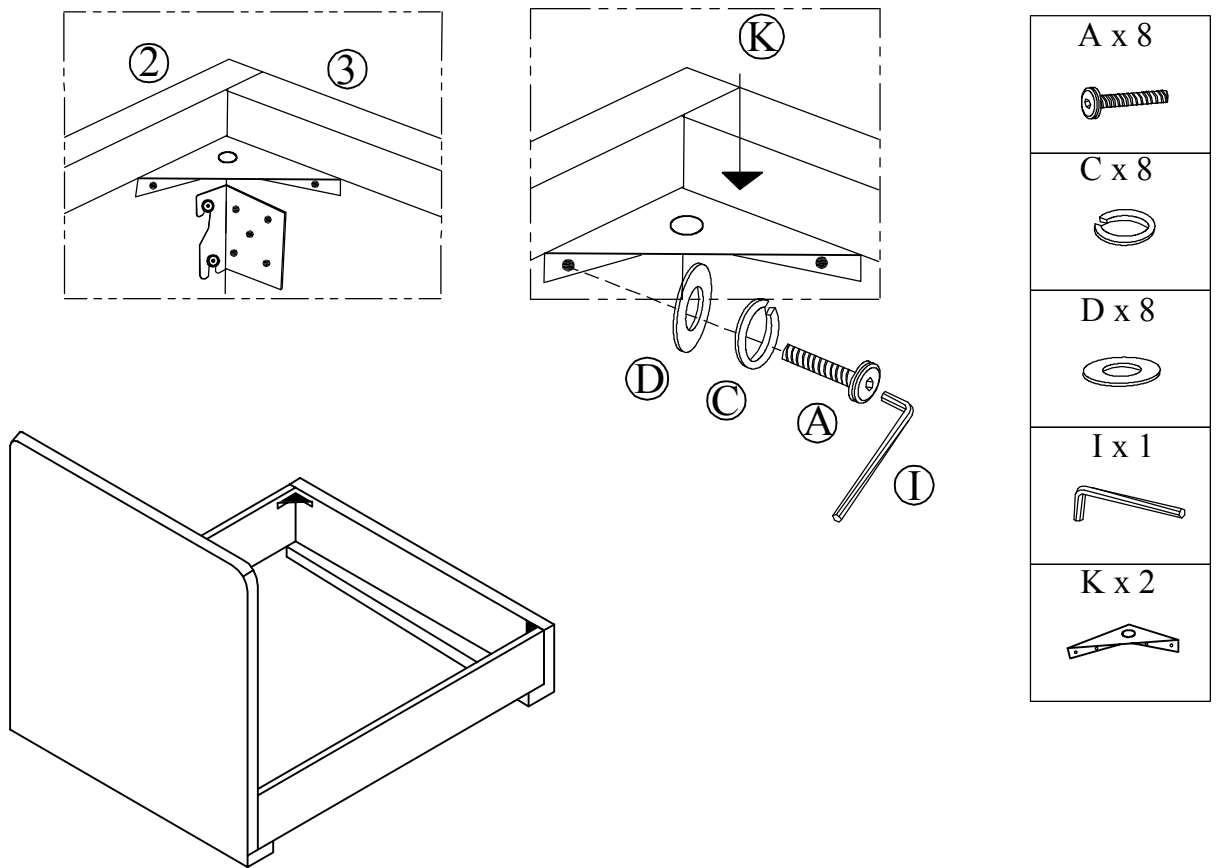
03



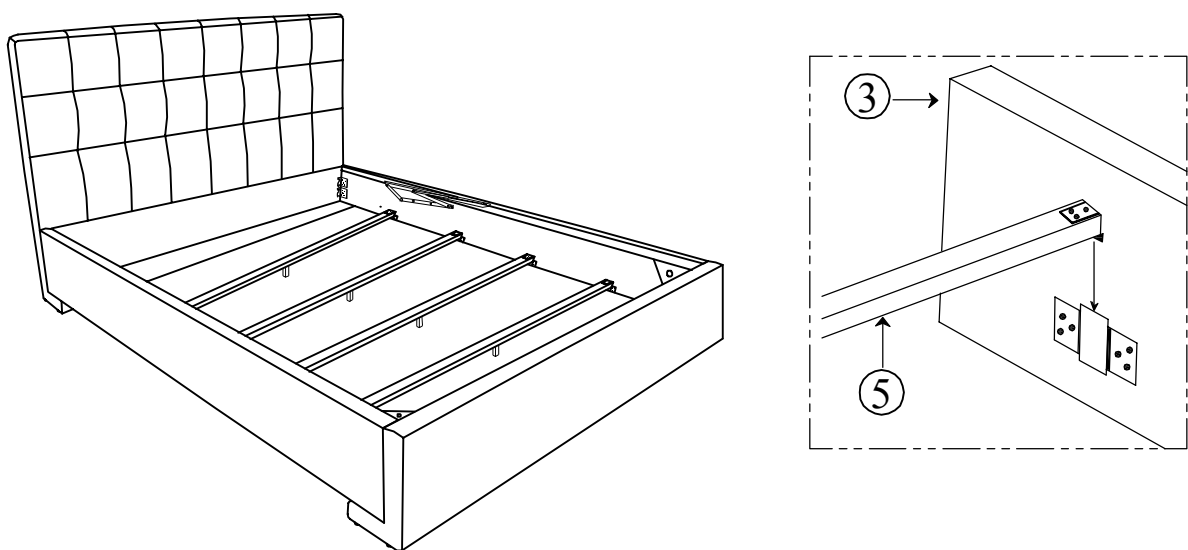
A x 12

C x 12

D x 12

I x 1


Assembly

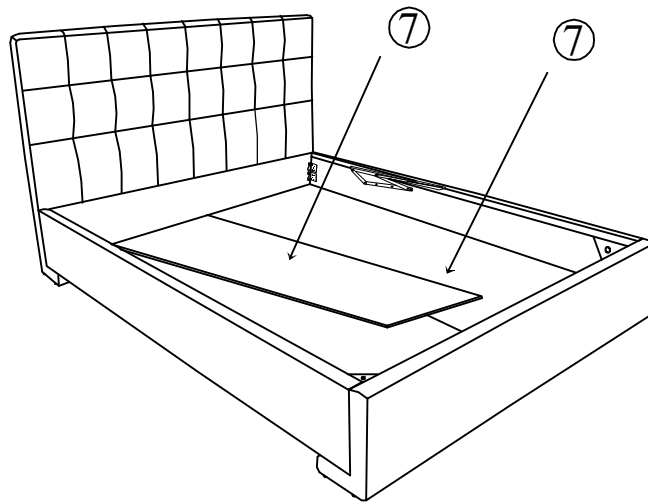
04



05

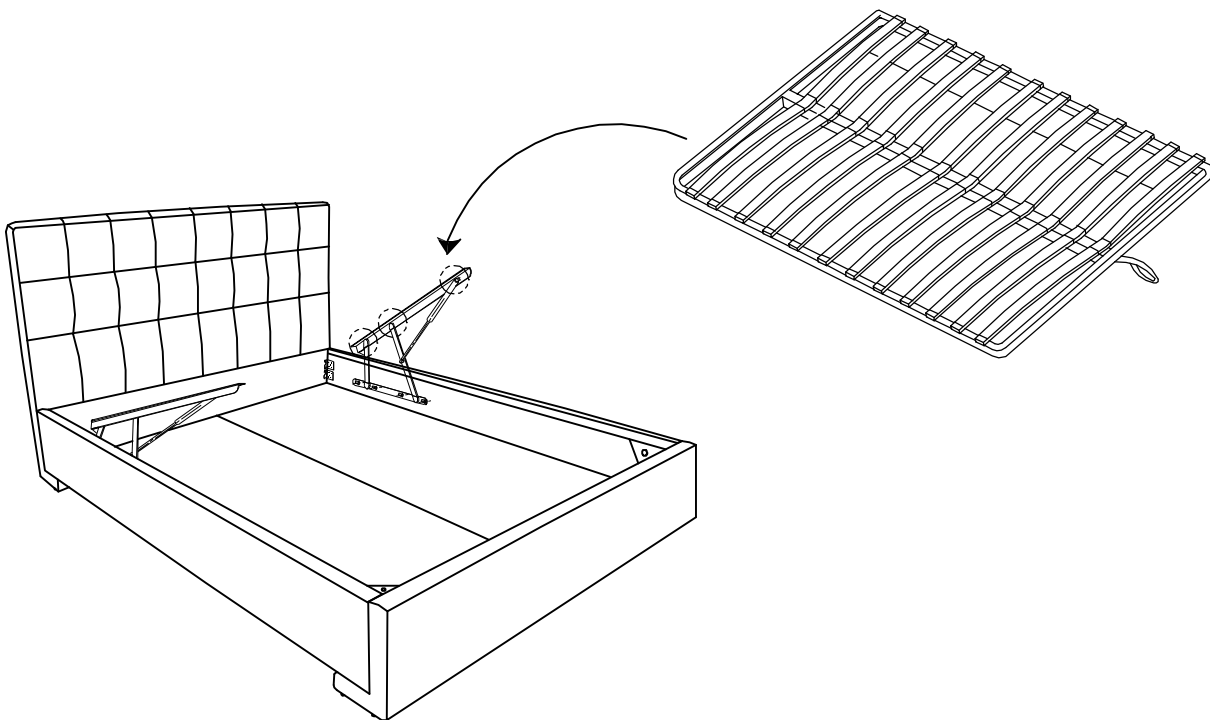


06

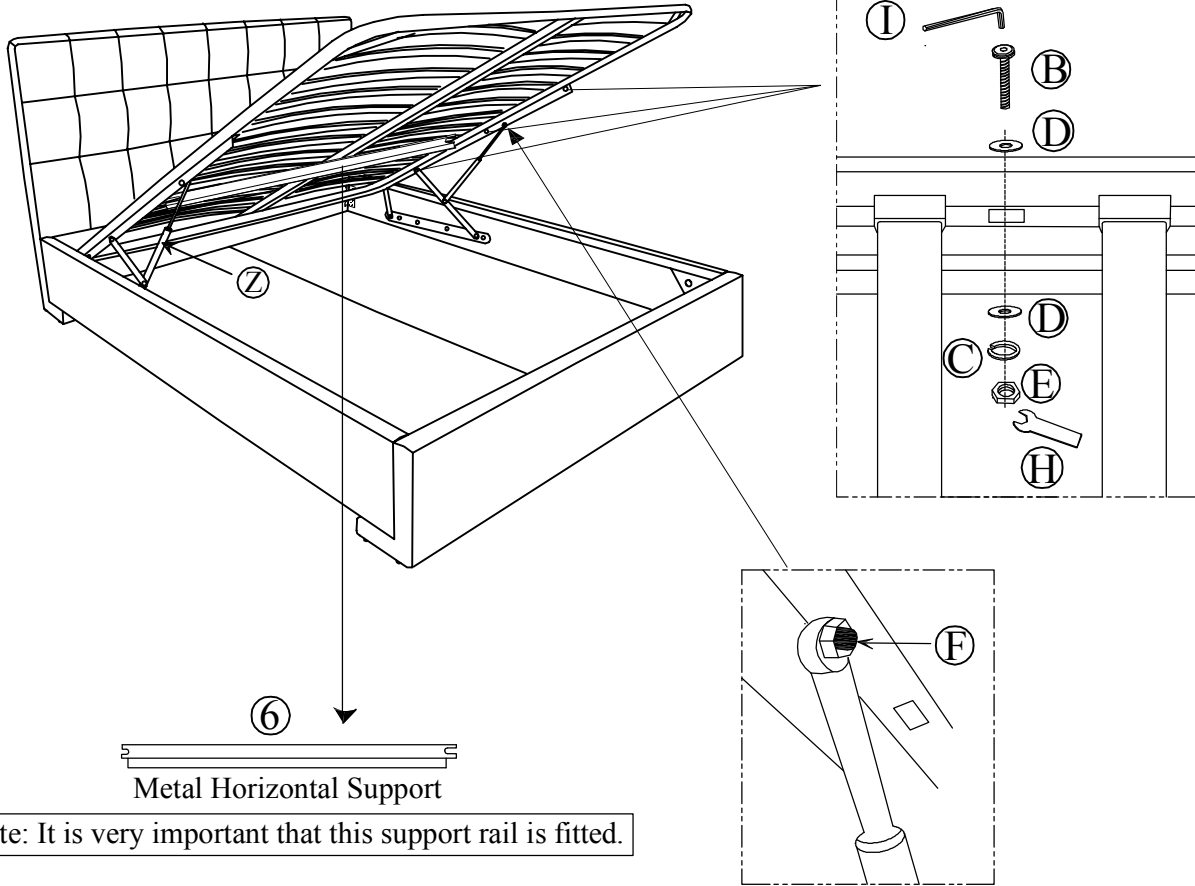









07

Each lift up mechanism has 3 holes for the fixing bolts **(B)**, **(D)** & **(E)**



- a) Lift up both mechanisms to upward position.
- b) Connect the metal frame base to the lift up mechanisms with the bent slats facing upwards.
- c) Do not fully tighten all the bolts before confirming the metal frame is in correct position.



B x 6 	C x 6 	D x 12 	E x 6 	F x 2 	H x 1 	I x 1 
--	--	---	--	--	--	--

- Fix the metal horizontal support ⑥ in the first hole of lift up mechanism using fixings ①, ②, ③ & ④. Then tighten the bolt by using ⑤ with ⑥.
- Connect hydraulic arm ⑦ to frame with ⑧ using ⑨.
- After the metal frame has been connected to lift up mechanism and metal horizontal bar has been fixed at correct place, then only tighten all the bolts.

