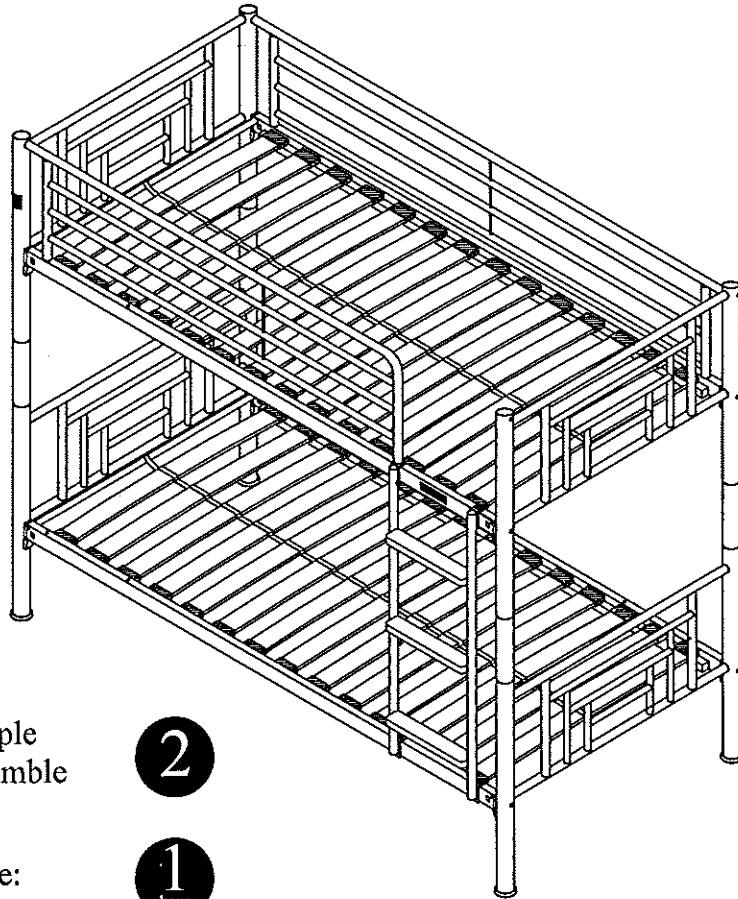




## NEWPORT BUNK BED

# Newport Bunk Bed - Assembly Instructions



Minimum No. of people  
recommended to assemble  
this product:

2

Approx assembly time:

1  
hour

### Before You Start

- Important: Retain these instructions for future reference.
- When you are ready to start, make sure that you have the right tools, plenty of space and a clean, dry area for assembly.
- Unwrap all packaging materials and place the components on top of the carton box or on a clean floor to prevent it from scratching.
- Check the pack and make sure you have all the parts listed.
- During assembly children should be kept away from the product due to possible risk of injury.
- Tools not included.
- Do not use power tools to construct this product.
- Due to the size of this product we recommend that it is assembled in the room intended for use.
- Ensure that this product is fully assembled as illustrated before use.

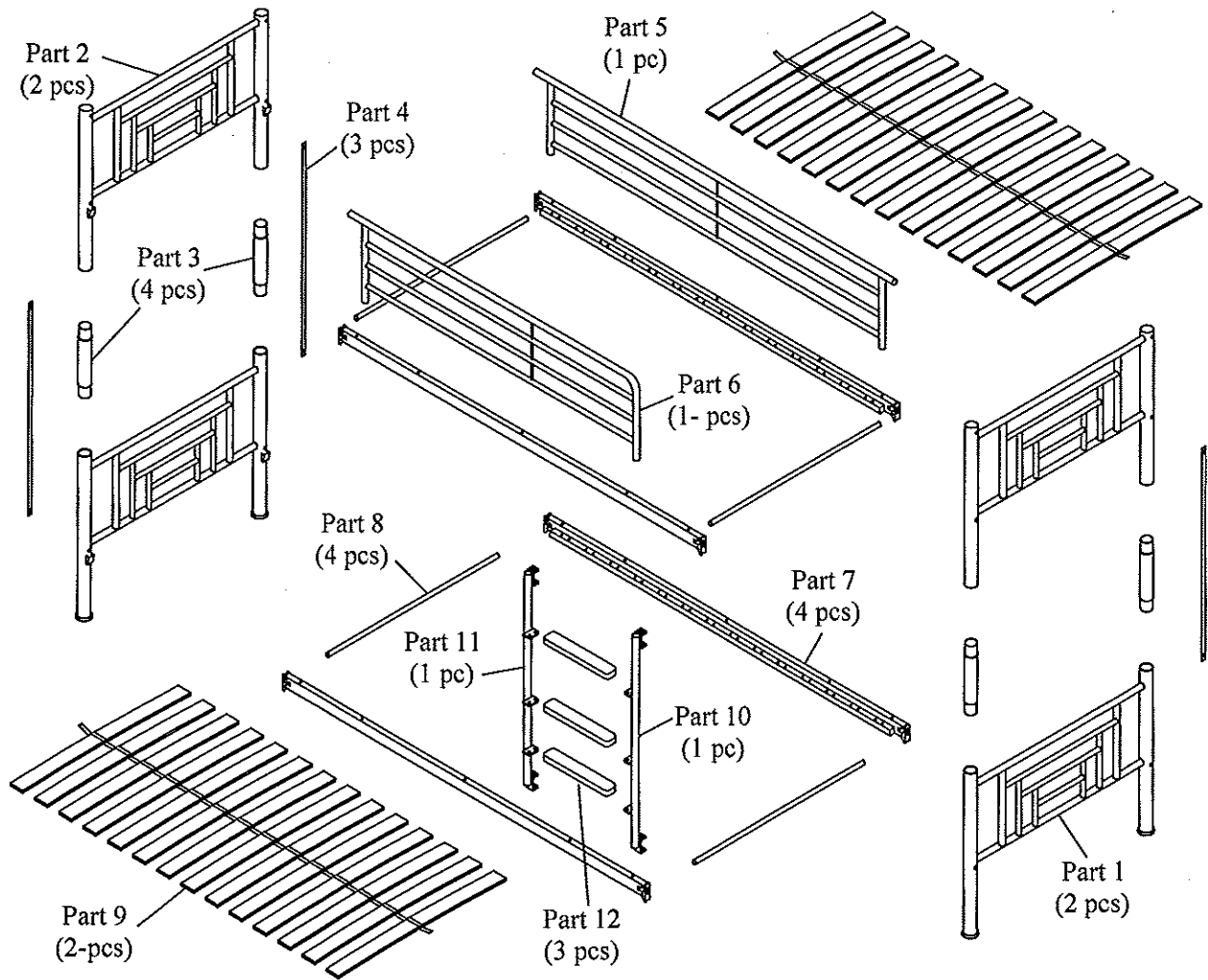
### Care Instructions

- To clean the paint work of your bunk bed you should wipe over with a soft damp cloth. Do not use solvent based cleaners or detergents as they can bleach or damage the product.

Do not throw away any of the packing or the instruction book until you have checked all the components and fittings and the furniture is fully assembled.

In the unlikely event that this product has missing or damaged parts, please call 0844 292 0000 and select option 4, to obtain the required spare parts.

# Newport Bunk Bed - Assembly Instruction



## Fittings

A. M8 x 95 - 8 pcs. 	B. M6 x 80 - 7 pcs. 	C. M6 x 50 - 11 pcs. 	D. M4 x 12 - 4 pcs. 	E. M6 x 12 - 12 pcs. 
F. - 8 pcs. 	G. - 3 pcs. 	H. - 56 pcs. 	I. Ø50 - 8 pcs. 	J. Ø 25 - 2 pcs. 
K. - 11 pcs. 	L. M4 - 1 pc. 	M. M5 - 1 pc. 	N. Ø 50 - 4 pcs. 	

## Tools for Assembly

Pozi driver (not provided)



Pliers (not provided)

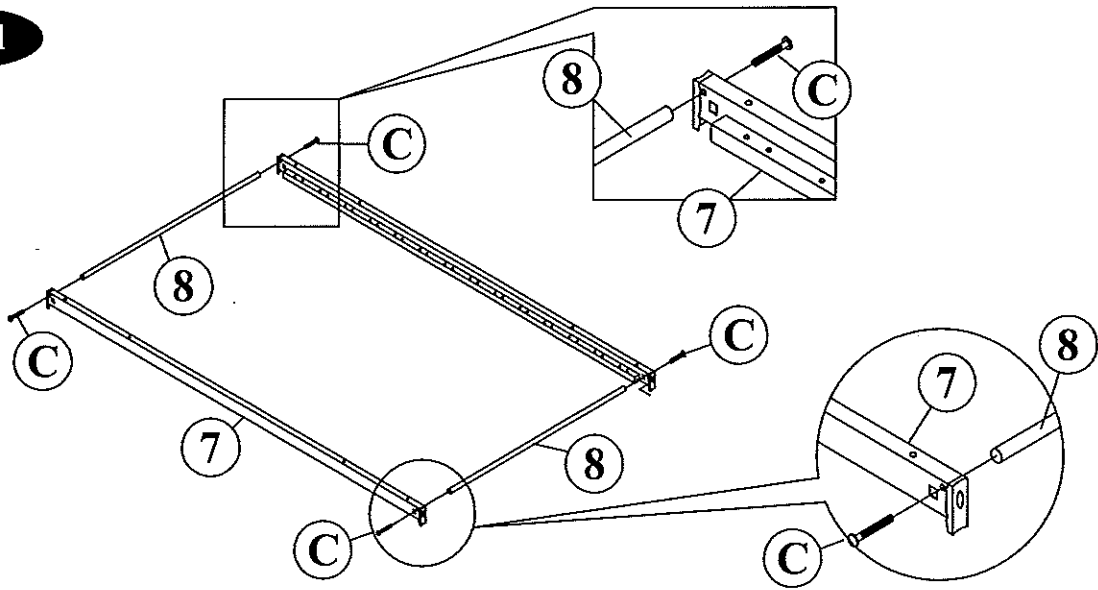


Allen key (provided)

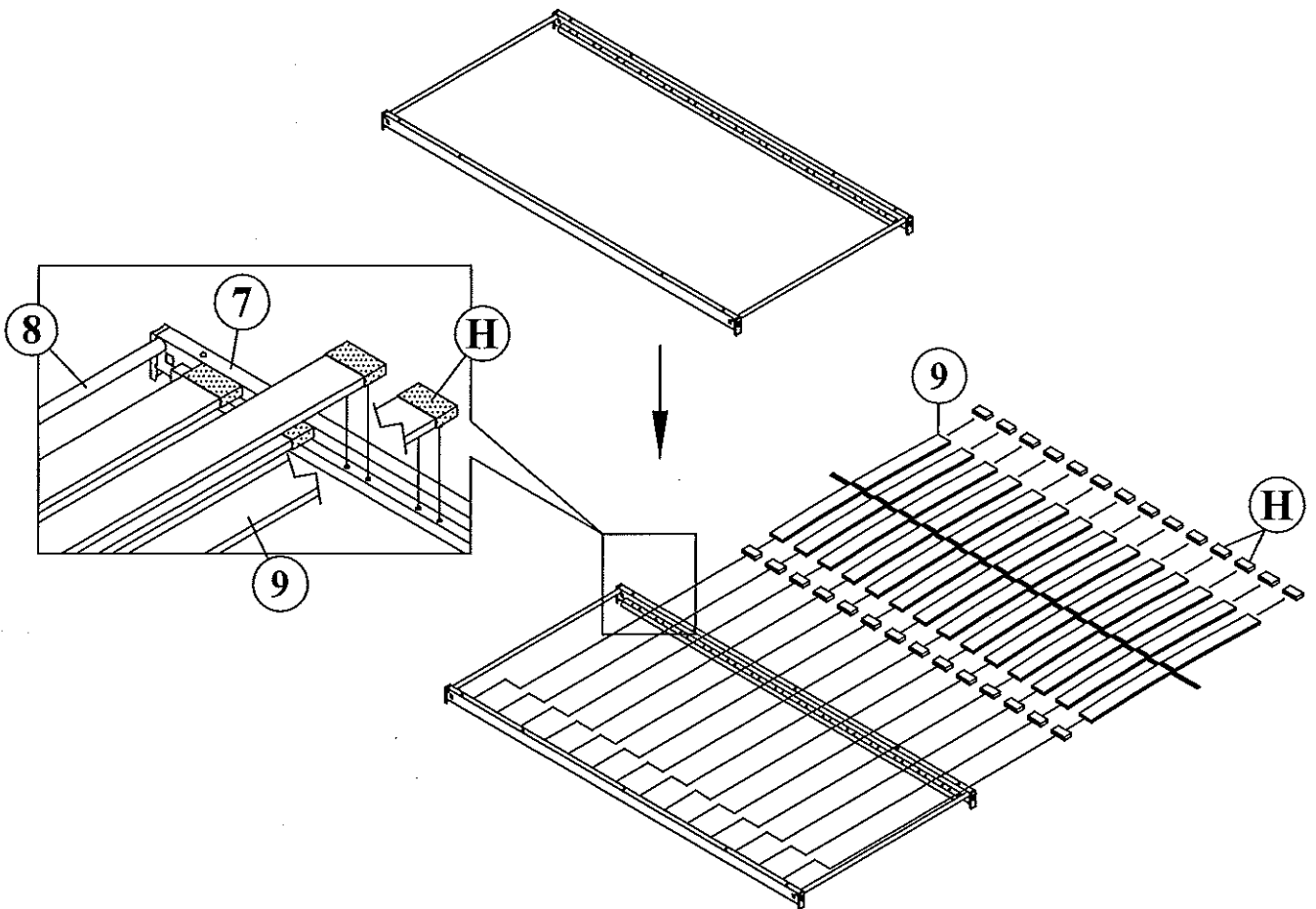


# Newport Bunk Bed - Assembly Instruction

## Step 1

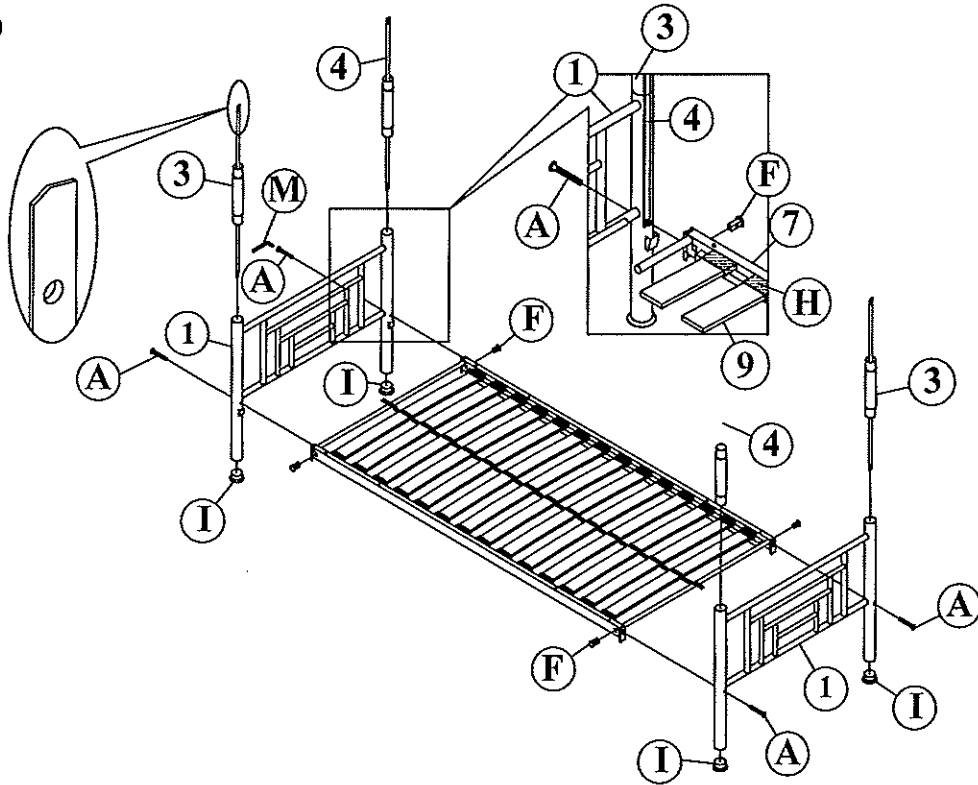


## Step 2

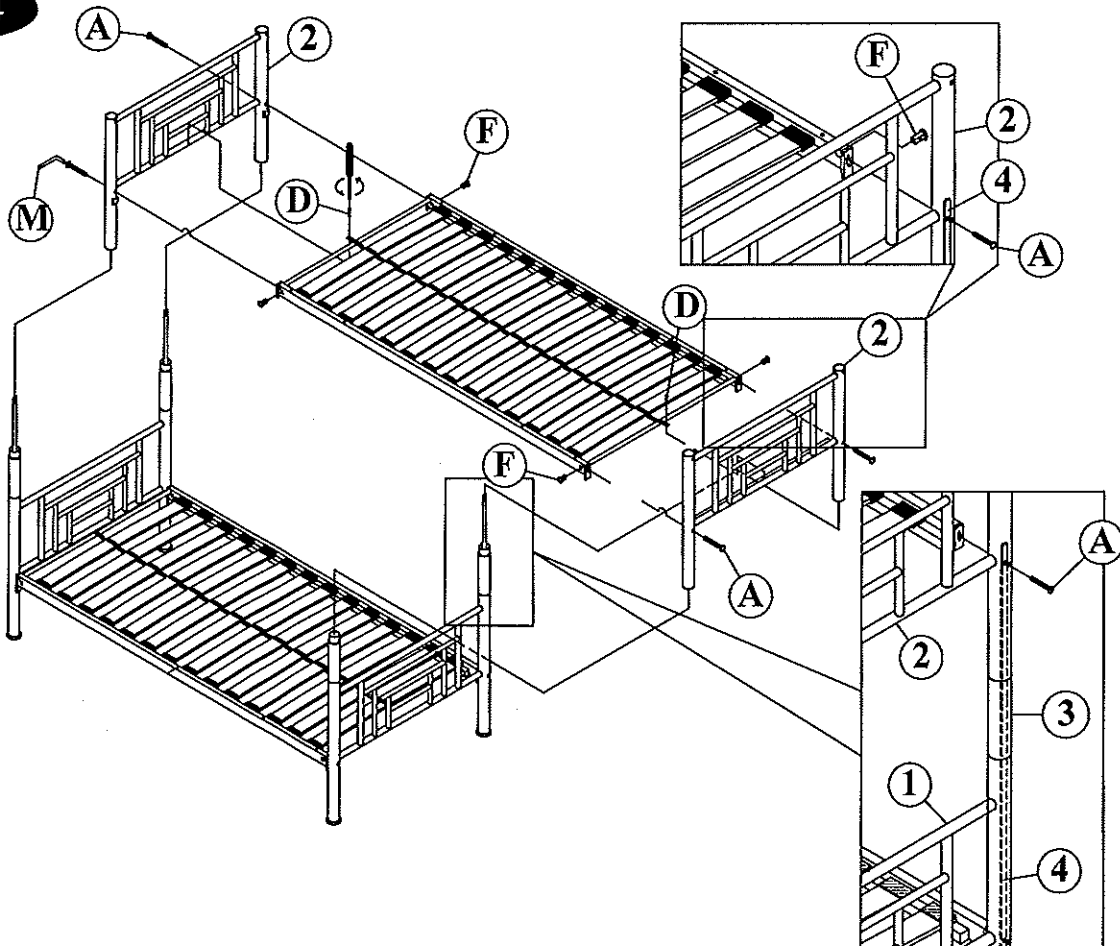


# Newport Bunk Bed - Assembly Instruction

## Step 3

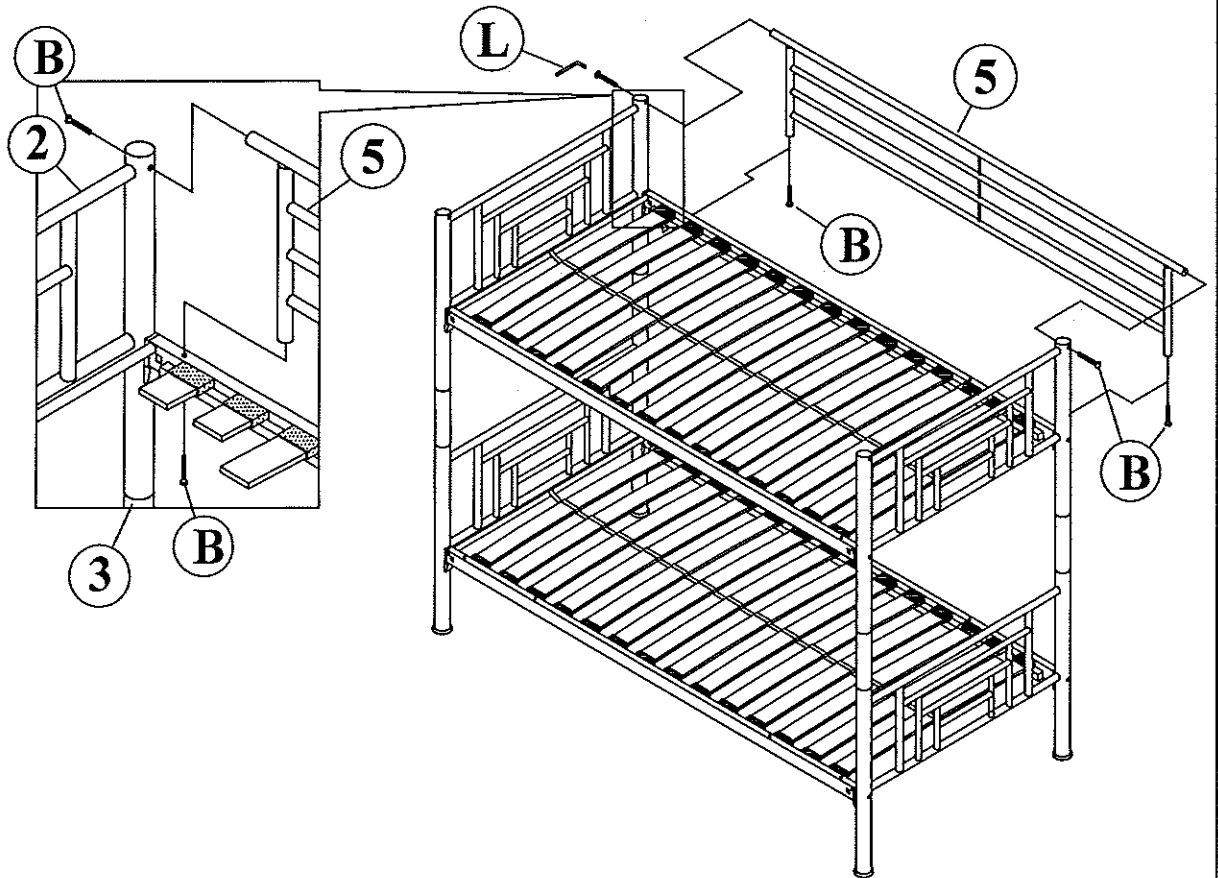


## Step 4

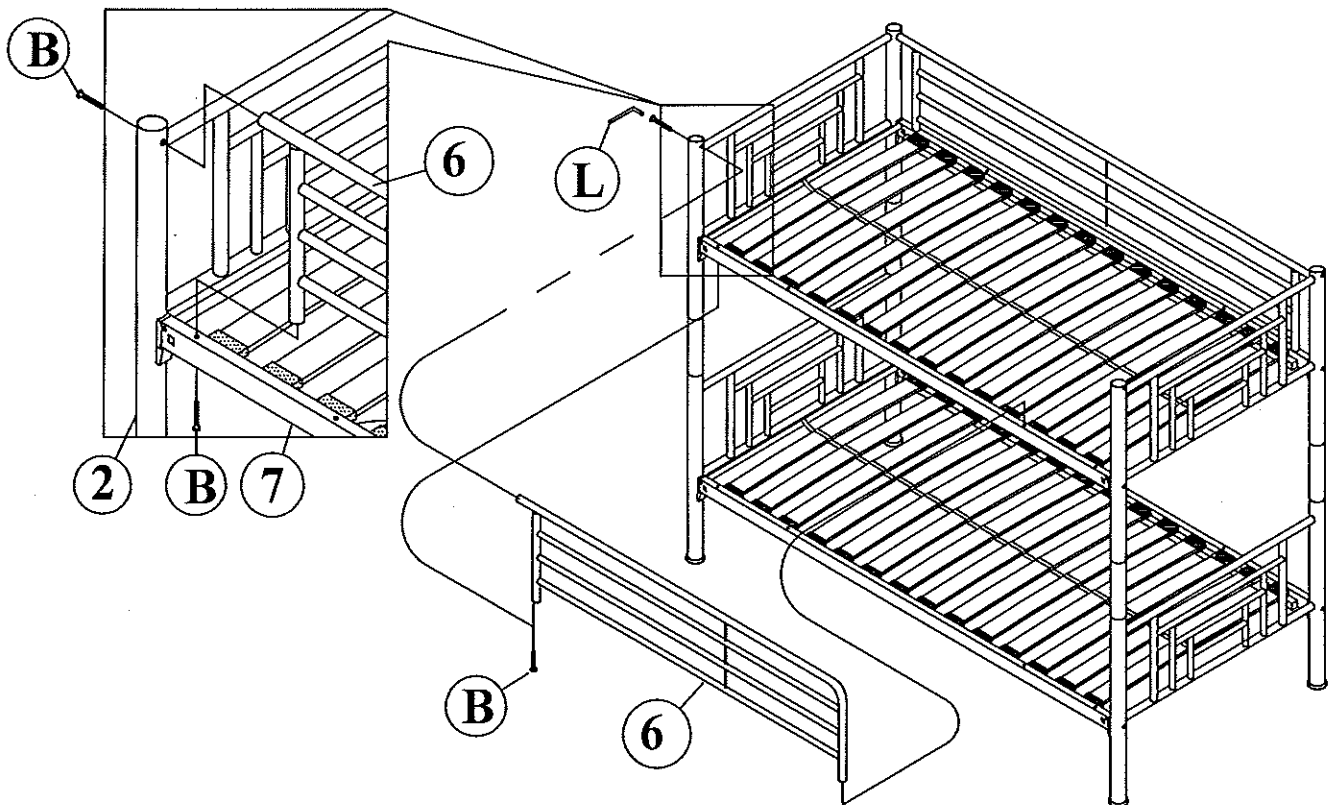


# Newport Bunk Bed - Assembly Instruction

Step 5

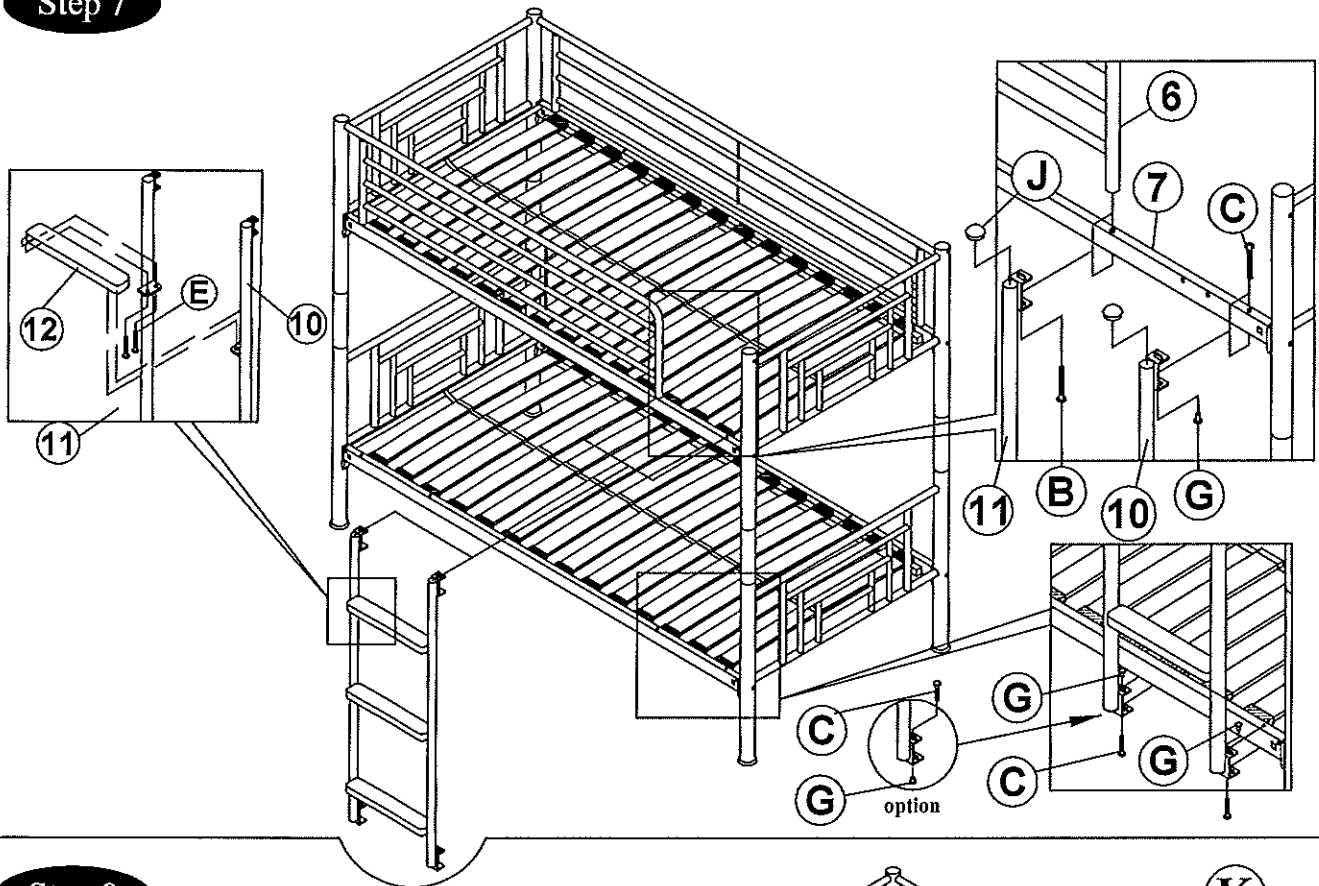


Step 6



# Newport Bunk Bed - Assembly Instruction

## Step 7

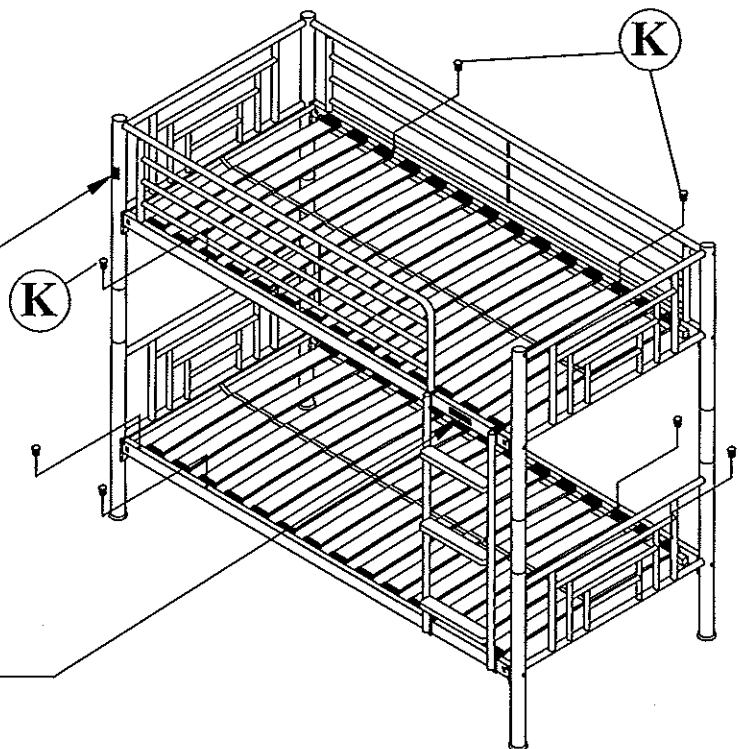


## Step 8

### Important note

The mattress should not be above this max. mattress height.

Be aware of the danger of young children (under 6) falling from the upper bunk.



IF this product is not received in satisfactory condition, please contact your retailer immediately and retain all packaging in case of return.

**All warranty will be void if packaging not retained.**

# Newport Bunk Bed -Assembly Instruction

## Safety Warnings

- This product is intended for a maximum weight of 100 kg. Do not exceed this weight.
- It is recommended that 2 people are required to assemble this product.
- This product should only be used on firm, level ground.
- Make sure the legs remain in contact with the ground.
- Keep small parts out of reach of children.
- Check all screws or bolts are tightened and inspect regularly.
- Do not tighten screws until fully assembled.
- Do not over tighten screws or bolts.
- Do not use this product if parts are missing, damaged or worn.
- Do not allow children to jump on the bed as this could cause damage to the frame.
- This product complies with the requirements of UK Bunk Beds Entrapments Hazards Safety Regulations 1987 and the European Standard EN 747-1 & 2 : 2007 & SI/1337.
- Top bunk not recommended for children under the age of 6 years. Be aware of the danger of young children (under 6) falling from the upper bunk.
- The top of the mattress must not come above the line marked on the bed.