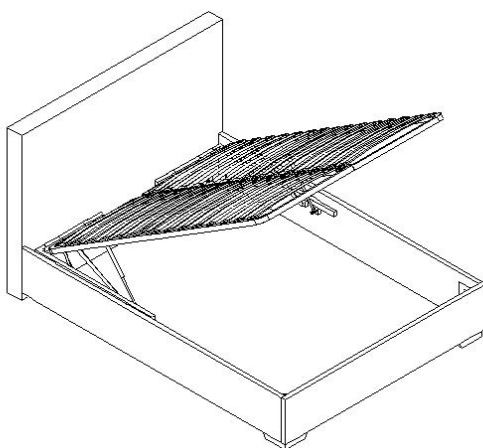




NATASHA BEDSTEAD

Assembly Instructions



Minimum No. of people recommended to assemble this product:

2

Approx assembly time:

1½ hours

Before you start, here is some helpful advice

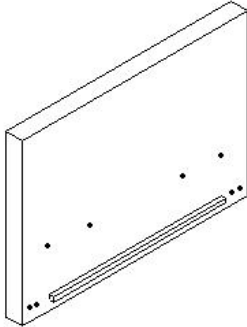
1. We suggest you spend a short time reading through this leaflet and then follow the simple step by step instructions.
2. If you follow the instructions carefully the end result should be worth the effort.
3. Do not discard any of the packaging until you have checked that you have all the parts and the pack of fittings.
4. Assemble this product on a carpet.
5. To ensure an easier assembly, we strongly advise that all fittings are only finger tightened during initial assembly. Only upon completion of the assembly of each section should all fixing points be fully tightened.
6. We recommend a periodic check on all fixing points to make sure they remain fully tightened. Please keep the tools supplied in a safe place in order to do this. Please also keep assembly instructions for reference.
7. Keep fittings out of children's reach.

In the unlikely event that this product has missing or damaged parts, please call 0870 3333 612 to obtain spares

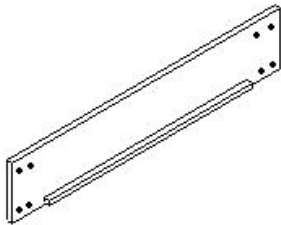
Component parts and fittings contained in the boxes

Parts

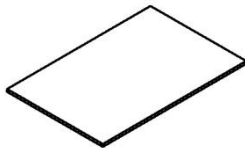
(A) Headend (1 pc)



(D) Footend (1 pc)



(G) Base Board (2 pcs)



(J) Mattress Support (2 pcs)



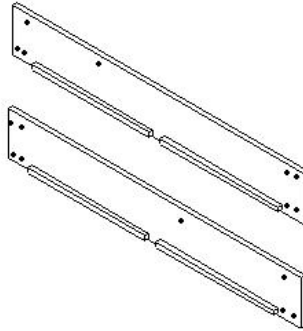
(M) Support Foot (1 pc)



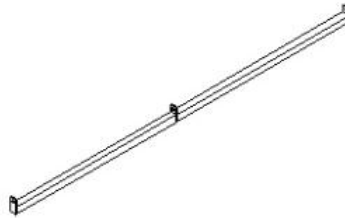
(P) Wooden Foot Screw (4 pcs)



(B) Siderails (2 pcs)



(E) Support bar (1 pc)



(H) Frame Bracket (1 pc)



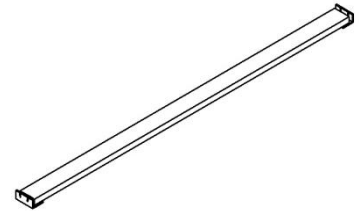
(K) Corner Bracket (6 pcs)



(C) Slat Unit (2 pcs)



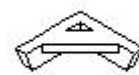
(F) Centre rail (1 pc)



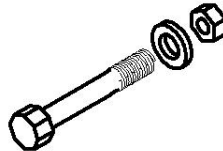
(I) Cloth Handle (1 pc)



(L) Wooden Feet (2 pcs)



(N) 8x50 mm Bolt, Nut, and Washer (3 pcs)



(Q) Support Foot Screw (1 pc)

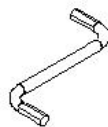


(O) 6x30mm Bolt Nut and Washer (4 pcs)



Tools Supplied

Allen Key



Spanner x 2



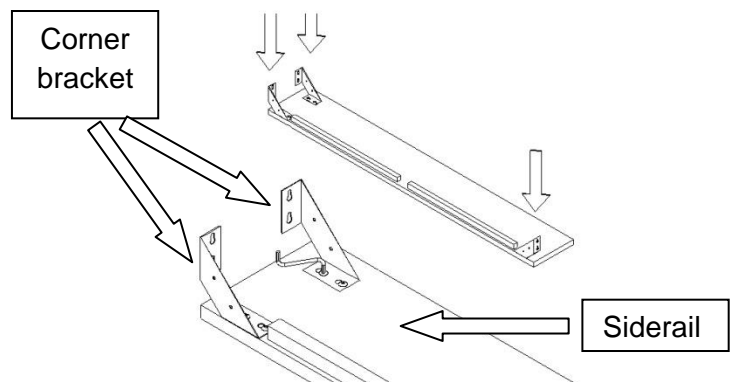
ASSEMBLY of BEDFRAME

PLEASE NOTE BEFORE ASSEMBLY - For your convenience, most of the fittings used to assemble the product are pre-inserted into the correct holes in the bedstead. To assemble the bedstead, most fittings only require loosening off in order to attach to brackets and then tightening up again to complete assembly.

THE TOOLS REQUIRED TO ASSEMBLE THE BED ARE PACKED WITH THE BOLTS REQUIRED TO ASSEMBLE THE SLAT UNIT IN THE BOX WITH THE SLAT UNIT

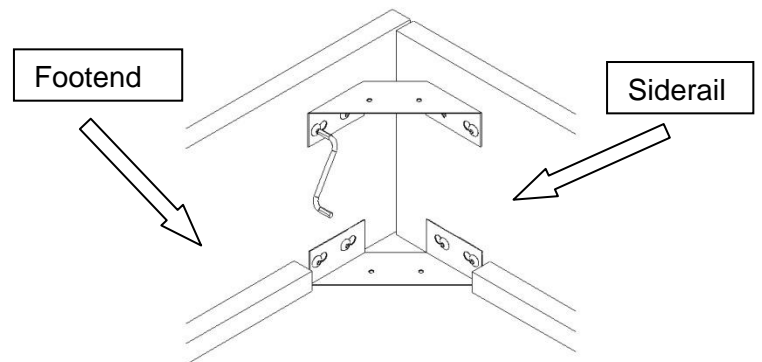
STEP 1

- Using the Allen key provided, loosen off the pre-inserted bolts on the siderails (B) by 3 or 4 full turns.
- Locate the corner brackets (K) over the loosened bolts as shown in the picture, right. Push the bracket firmly towards the end of the siderail (B) and re-tighten the bolts.



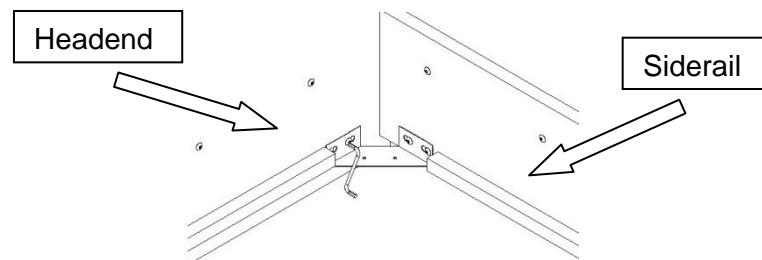
STEP 2

- Loosen off the pre-inserted bolts on the footend (D) by 3 or 4 full turns.
- Locate the corner brackets (K) previously attached to the siderails over the loosened bolts. Push the bracket firmly towards the outside of the footend (D) and re-tighten the bolts.



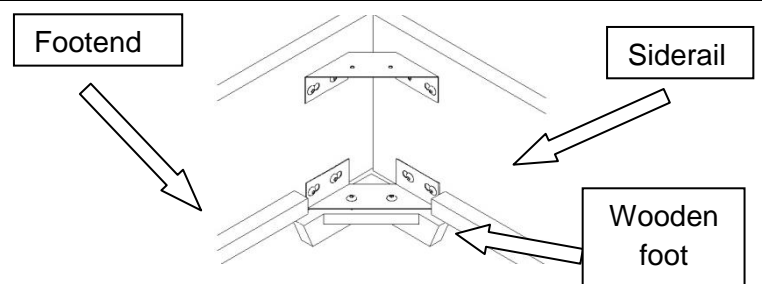
STEP 3

- Loosen off the pre-inserted bolts on the headend (A) by 3 or 4 full turns.
- Locate the corner brackets (K) previously attached to the siderails over the loosened bolts. Push the bracket firmly towards the outside of the headend (A) and re-tighten the bolts.



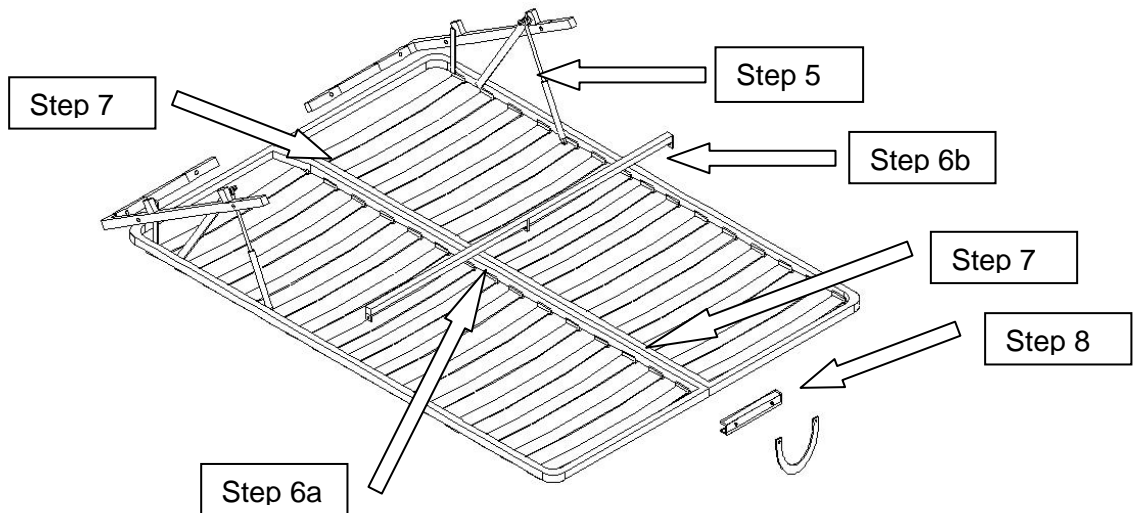
STEP 4

- Attach the wooden feet (L) to the corner brackets (K) on the footend corners of the bedstead using the four wooden foot screws (P).
- Fully tighten with a screwdriver (not supplied).



**The upholstered part of the bedframe is now assembled.
Now fully tighten all of the bolts inserted in steps 1 to 3.**

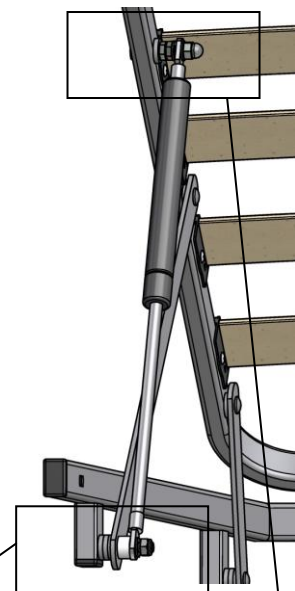
Location on Slat Unit of instruction steps 5 to 8



STEP 5

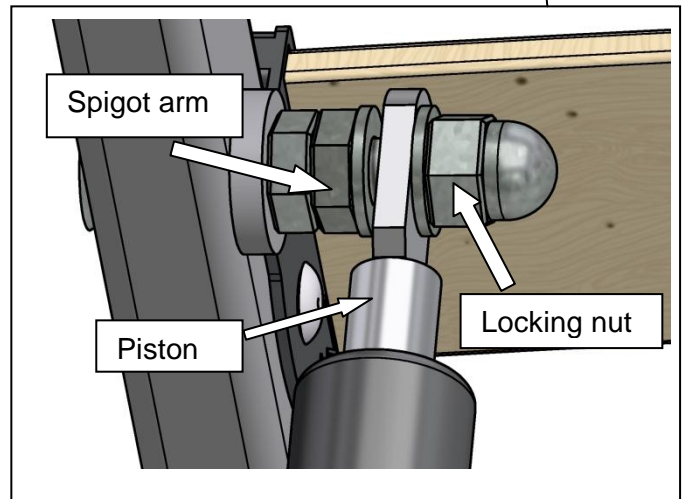
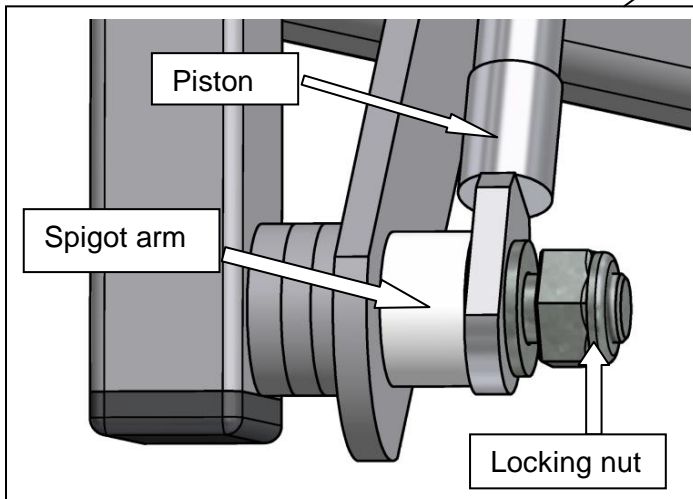
- Lay the 2 parts of the slat unit (C) upside down on a clear piece of carpeted floor. The pistons are attached to the slat unit at one end only. Remove the locking nut from the spigot arm on the slat frame at the end the piston is unattached. Locate the free end of the piston over the spigot arm and replace the locking nut. Tighten the locking nut using the spanner provided.

PLEASE NOTE – the piston should remain free to rotate on the spigot arm at all times when the slat unit (C) is in use.



BOTTOM END

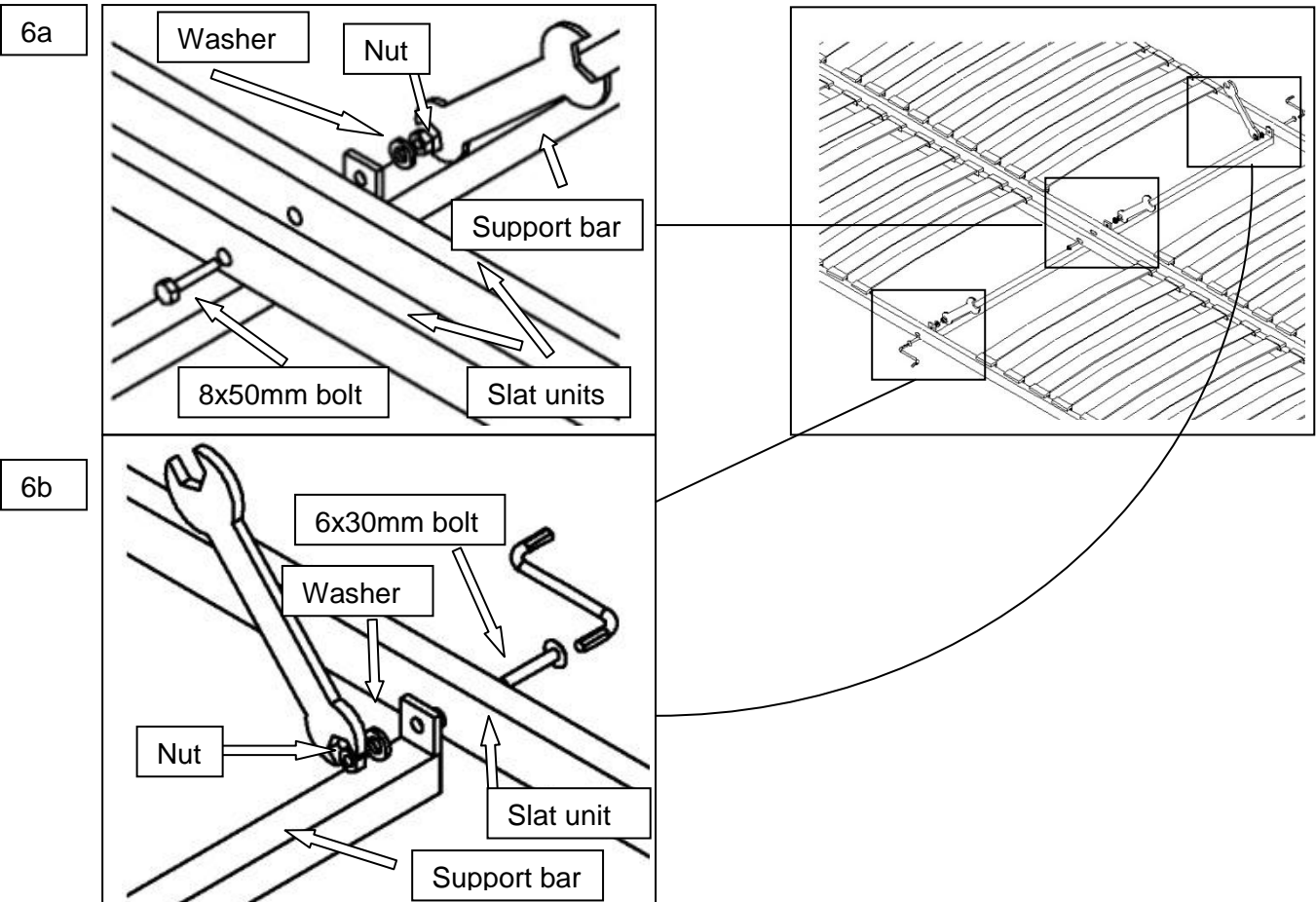
TOP END



STEP 6

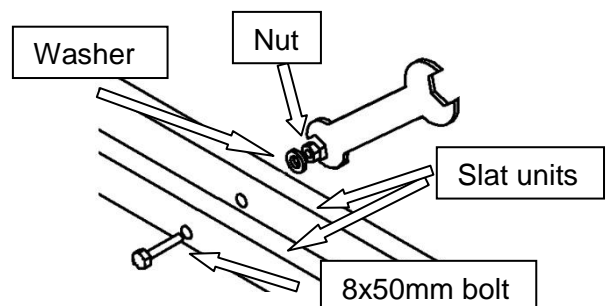
Connect the two slat units (C) together with the support bar (E) as follows;

- Pass an 8x50mm bolt (N) through the pre-drilled holes in the centre of the slat units (C) and then through the hole in the centre of the support bar (E).
- Loosely attach the washer and nut to the end of the bolt.
- FROM THE OUTSIDE EDGE, pass the 6x30mm bolt (O) through the pre-drilled hole in the side of the slat unit (C) and then through the hole in the end of the support bar (E).
- Loosely attach the washer and nut to the end of the bolt.
- Repeat for the other end of the support bar (E).



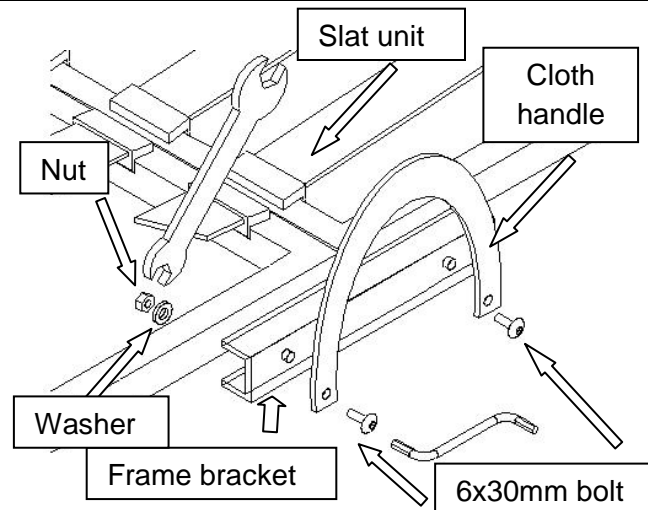
STEP 7

- Pass the 8 x 50mm bolt (N) through the pre-drilled holes towards the headend and footend of the centre of the slat units (C)
- Loosely attach the washer and nut to the end of the bolt.



STEP 8

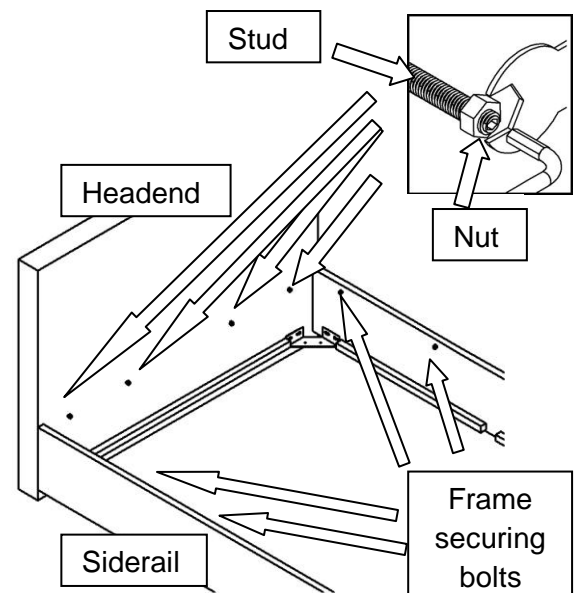
- Using the 6x30mm bolts (O), attach the cloth handle (I) and frame bracket (H) to the centre of the footend of the slat unit (C).
- **MAKE SURE THE LOOP OF THE CLOTH HANDLE WILL FACE UPWARDS ONCE THE SLAT UNIT IS ATTACHED TO THE BED,** attach the washers and nuts, and fully tighten using the spanner and Allen key.



**The slat unit part of the bedframe is now assembled.
Now fully tighten all of the bolts inserted in steps 6 to 8.**

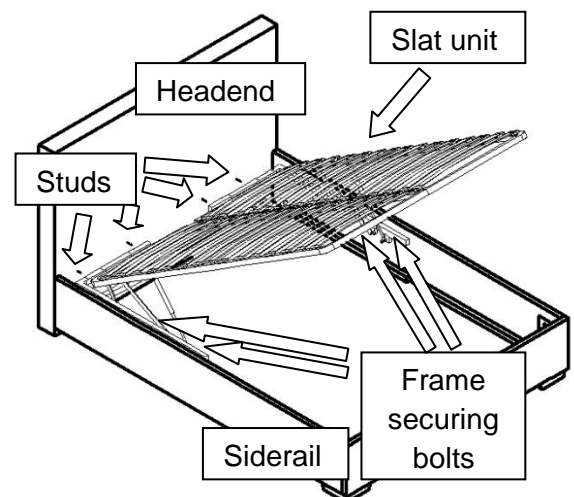
STEP 9

- Fully remove the four frame securing bolts from the siderails (B) as indicated in the picture.
- Remove the nuts from the four studs in the headend (A) of the bed.
- Using the Allen key provided, loosen the studs in the headend (A) of the bed so there is 3cm (1 ¼ inches) of thread showing.

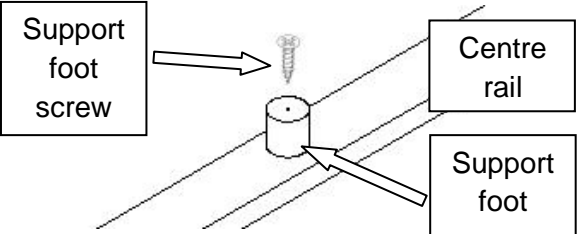
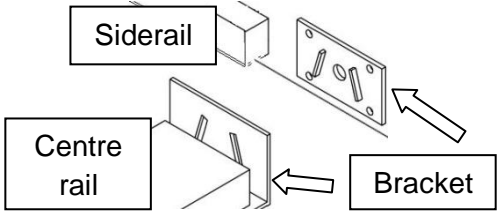
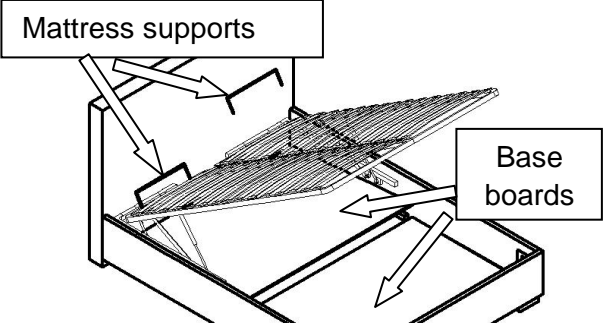


STEP 10

- Turn the assembled slat unit (C) the right way up.
- Locate the slat unit (C) over the studs in the headend of the bed and loosely replace the nuts to the ends of the studs. **KEEP THE SLAT UNIT SUPPORTED AT THE FOOTEND OF THE BED AT ALL TIMES WHILST REPLACING THE NUTS SO AS TO NOT BEND OR DAMAGE THE STUDS.**
- Attach the slat unit (C) to the siderails (B) using the four frame securing bolts previously removed in step 9. Keep the footend of the slat unit supported at all times and take care not to force or cross thread the bolts in the holes when replacing them in the siderails.



**The slat unit is now attached to the bedframe.
Now fully tighten all of the nuts and bolts used in steps 9 and 10.**

| | |
|---|--|
| <p>STEP 11</p> <ul style="list-style-type: none"> Using the support foot screw (Q) attach the support foot (M) to the underside of the centre rail (F) approximately half way along its length |  |
| <p>STEP 12</p> <ul style="list-style-type: none"> Attach the centre rail (F) to the siderails (B) of the bed by locating it to the pre fitted brackets and pushing down firmly |  |
| <p>STEP 13</p> <ul style="list-style-type: none"> Locate the base boards (G) inside the assembled bed frame so they sit on the centre rail (F) and the support strips on the siderails (B) and the finished (wood grain patterned) side is facing upwards. Locate the two mattress supports (J) into the pre-drilled holes at the headend of the slat frame |  |

OPERATING THE OTTOMAN

Your bed frame is now completely assembled but the slat unit will not operate correctly unless a mattress is placed on the slat unit and will not stay shut unless the mattress remains in position. To position the mattress on the slat unit, simply place the mattress on top of the slat unit whilst it is in the up (open) position.

Pull down on the cloth handle to close the ottoman. PLEASE NOTE - It takes a lot of force to make the initial movement of the ottoman – THIS IS A DESIGN FEATURE OF THE PRODUCT SO THAT IT DOES NOT FALL SHUT – and the nearer to being closed the ottoman is, the easier it is to move. When the ottoman is almost shut, it will close completely under its own weight.

When lowering the slat unit for the first time, take care to make sure it does not rub unevenly on the inside face of the siderails (B). If it does, the bed has been assembled slightly out of square. This can be rectified by moving the footend (D) of the bed slightly to the left or right whilst leaving the headend (A) of the bed frame stationary.

INFORMATION ABOUT PISTONS

The pistons used in the construction of this product are extremely strong and cannot be operated by hand when taken off the ottoman. All pistons are tested in our factory for correct pressure and operation before being attached to the slat unit.

INITIALLY, IT MIGHT APPEAR THAT THE PISTONS ARE VERY STIFF WHEN OPENING AND CLOSING THE OTTOMAN – THIS IS PERFECTLY NORMAL –

AFTER OPERATING THE OTTOMAN A FEW TIMES, THE MOVEMENT OF THE PISTONS AND THE OPENING AND CLOSING OF THE OTTOMAN WILL BECOME EASIER.

WARNING

For the safety of yourself and others, please ensure that:

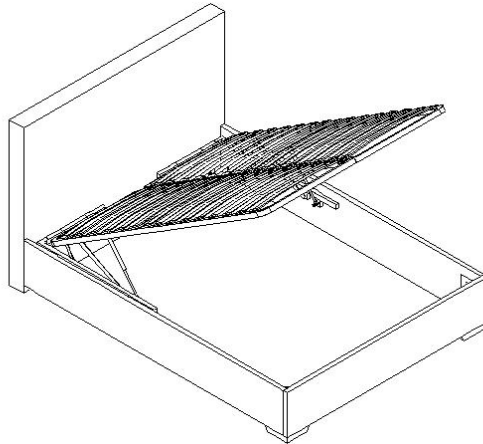
- ONLY THE HANDLE IS USED, WHEN LIFTING AND LOWERING THE FRAME. FAILURE TO COMPLY WITH THIS WARNING MAY RESULT IN INJURY AND FINGER ENTRAPMENT
- THE HANDLE IS ATTACHED AND ALWAYS LEFT IN THE UPWARDS POSITION AS SHOWN IN THESE INSTRUCTIONS.
- THE METAL FRAME IS FULLY RAISED AND LOCKED IN THE 'UP' POSITION, BEFORE USING THE OTTOMAN SPACE, OTHERWISE THE FRAME COULD FALL, INJURING ANYONE INSIDE.
- USING THE SPACE IS SUPERVISED/MONITORED BY SOMEONE ELSE SO THAT THERE WILL ALWAYS BE ASSISTANCE AVAILABLE IF YOU SHOULD BECOME TRAPPED
- CHILDREN AND PETS ARE NOT LEFT UNATTENDED WHEN THE FRAME IS IN THE LIFTED POSITION AS THEY COULD BECOME TRAPPED INSIDE THE OTTOMAN SPACE
- DO NOT STAND DIRECTLY ON THE WOODEN SLATS OR INSIDE THE OTTOMAN SPACE
- THIS PRODUCT COMPLIES TO THE FURNITURE AND FURNISHINGS (FIRE) (SAFETY) REGULATIONS 1988 (AS AMENDED)

AFTER CARE

1. To clean your bed, you should wipe over with a damp cloth or a stiff brush. Only use a brush on the upholstered parts.
2. You will need to tighten the assembly screws, etc, periodically
3. Keep away from direct sunlight

NATASHA SUPERKING BEDSTEAD

Supplementary Information



Please note:

For extra strength, the superking slat unit is fitted with two ribbon supports running from the headend to footend of the bed. These ribbons **MUST NOT** be removed from the slat unit as this will compromise the strength of the slats and may invalidate any guarantee or warranty.

