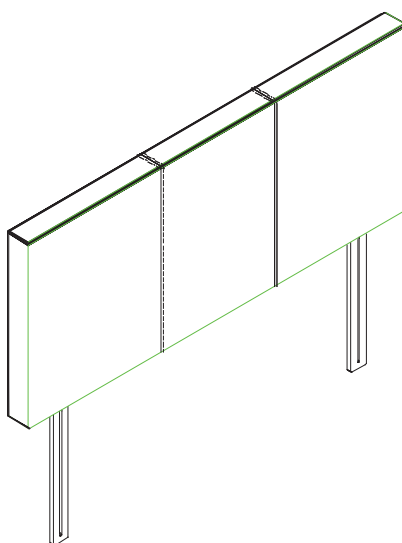




LINIUM HEADBOARD

Assembly Instructions



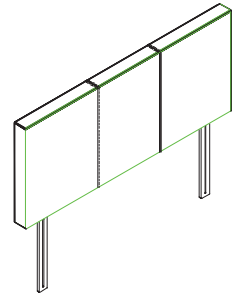
NOTE: It will require two people to assemble this bed. Assembly should be carried out in the room that the bed will be used in.

**Before you
start, here
is some
helpful advice**

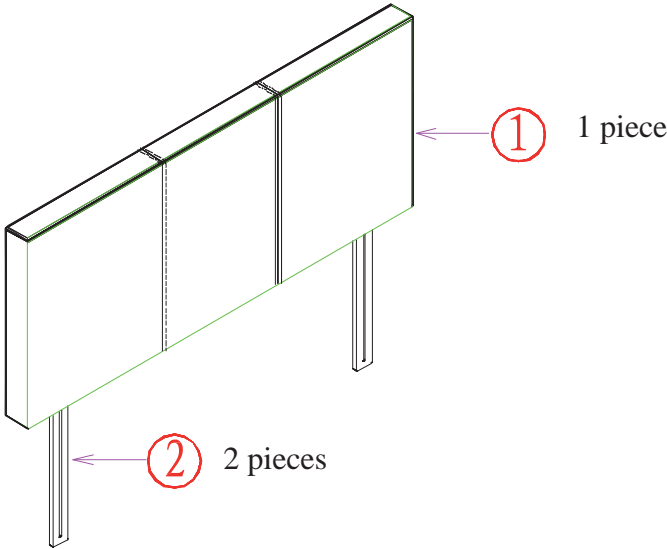

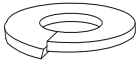
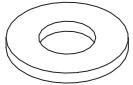
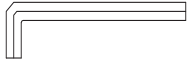
1. We suggest you spend a short time reading through this leaflet and then follow the simple step by step instructions.
2. If you follow the instructions carefully the end result should be worth the effort.
3. Do not discard any of the packaging until you have checked that you have all the parts and the pack of fittings.
4. Assemble this product on a carpet.
5. To ensure an easier assembly, we strongly advise that all fittings are only finger tightened during initial assembly. Only upon completion of the assembly should all fixing points be fully tightened.
6. We recommend a periodic check on all fixing points to make sure they remain fully tightened.
7. Keep glue and fittings out of children's reach.

In the unlikely event that this product has missing or damaged parts, please call 08442 920000 to obtain spares

ASSEMBLY



Component parts and fittings contained in the box

PARTS	Fittings
 <p>① 1 piece</p> <p>② 2 pieces</p>	<p>A</p>  <p>M8x50mm 4PCS</p> <p>B</p>  <p>Spring Washer 4pcs</p> <p>C</p>  <p>Washer 4pcs</p> <p>D</p>  <p>5MM Allen key 1pc</p>

Slot the **2** into the holes of the **1**, connect the **1** and the **2** using the bolt **A**, Washer **C** and spring washer **B**.

STEP 1

