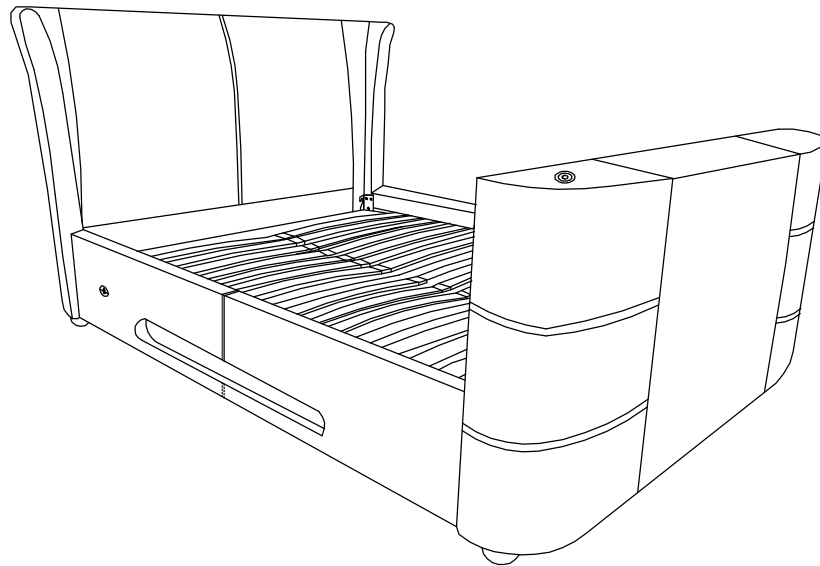




Assembly Instruction

Kyoto TV Bed



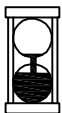
Helpful Advice

Owing to the size and weight of the Kyoto TV Bed, we recommend that it is assembled by two adults, on a flat surface, in the room that it is intended for.

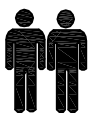
Please do not use any tools other than those provided or recommended in these instructions.

Please do not discard any of the packaging or instruction book until you have checked all the components and fittings and the furniture is fully assembled. Keep all fittings out of reach of children.

Assemble all parts loosely until advised to tighten. Depending on use, it may be necessary to tighten the fittings from time to time, so please save your allen key and spanner that has been provided.



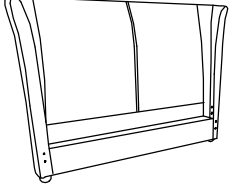
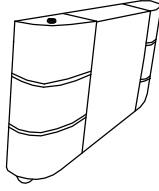
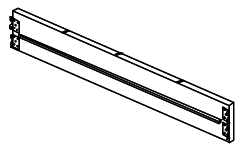
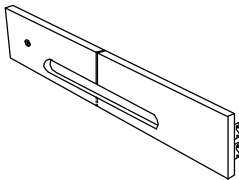
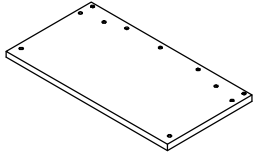
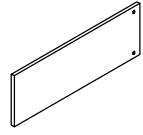
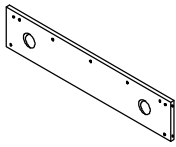
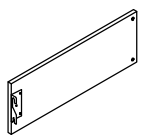

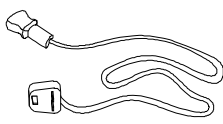
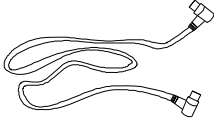
Approx assembly time: 90 min



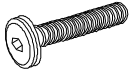







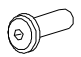
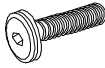

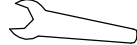

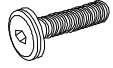
Min no. of people recommended to assemble this product.

In the unlikely event that this product has missing or damaged parts, please call customer service on 08442 920000 to request spare or replacement parts.

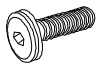
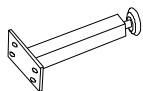
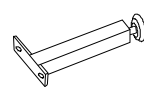
Parts

<p>1</p>  <p>Headboard x 1</p>	<p>2</p>  <p>Footboard x 1</p>	<p>3</p>  <p>Side Rail (Right) x 1</p>
<p>4</p>  <p>Side Rail (Left) x 1</p>	<p>5</p>  <p>Bottom Drawer Panel x 1</p>	<p>6</p>  <p>Side Drawer Panel (Left) x 1</p>
<p>7</p>  <p>Back Drawer Panel x 1</p>	<p>8</p>  <p>Side Drawer Panel (Right) x 1</p>	<p>9</p>  <p>Support Drawer Leg x 2</p>
<p>10</p>  <p>Power Lead x 1</p>	<p>11</p>  <p>Aerial Power x 1</p>	

Fittings

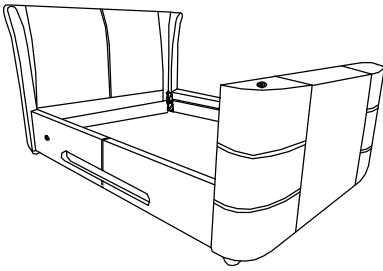
<p>A x 18</p>  <p>M8 * 30mm</p>	<p>B x 20</p> 	<p>C x 20</p>  <p>17 * 8mm</p>	<p>D x 4</p>  <p>M4 * 15mm</p>
<p>E x 13</p>  <p>M5 * 50mm</p>	<p>F x 1</p>  <p>M8</p>	<p>G x 10</p>  <p>16 * 6mm</p>	<p>H x 13</p> 
<p>I x 6</p>  <p>M6 * 16mm</p>	<p>J x 6</p>  <p>M6 * 45mm</p>	<p>K x 2</p> 	<p>L x 1</p> 
<p>M x 1</p>  <p>M6</p>	<p>N x 4</p>  <p>M8 * 25mm</p>		

Note: The following fittings will be found in the box which contains the Sprung Slat Frame. Not with the bed frames Assembly Kit.

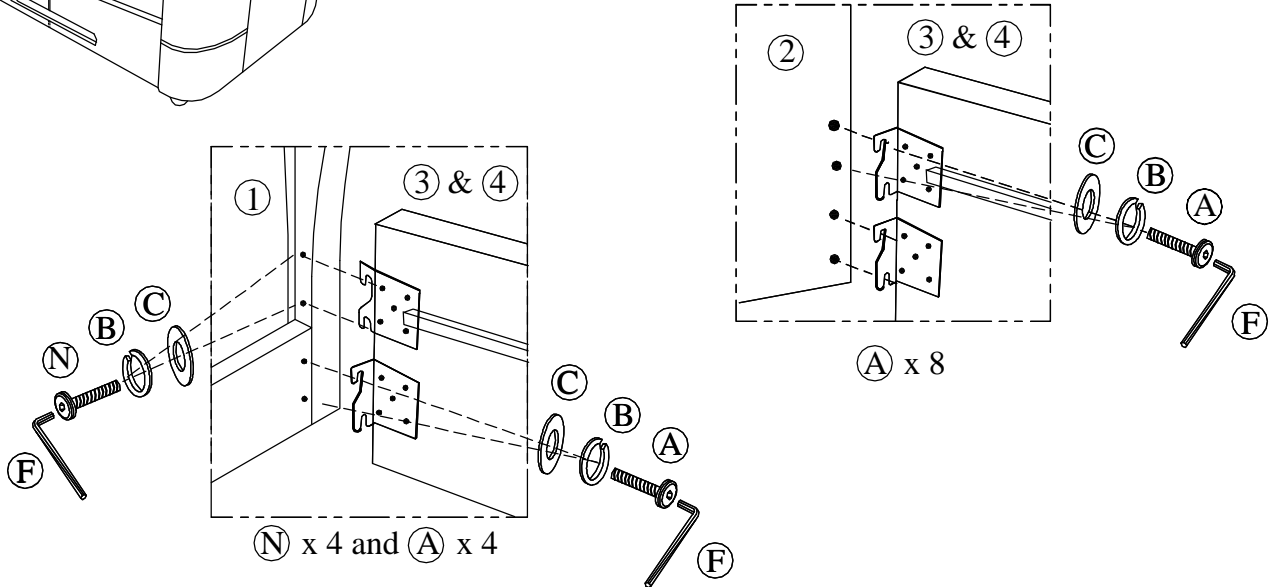
<p>O x 8</p>  <p>M6 * 15mm</p>	<p>P x 1</p> 	<p>Q x 2</p> 
---	--	--

Assembly

01

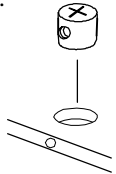


A x 12 	B x 16 	C x 16 	F x 1 	N x 4
------------	------------	------------	-----------	-----------

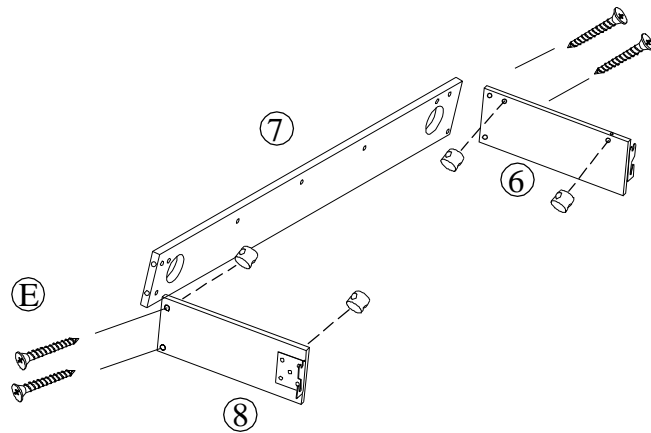
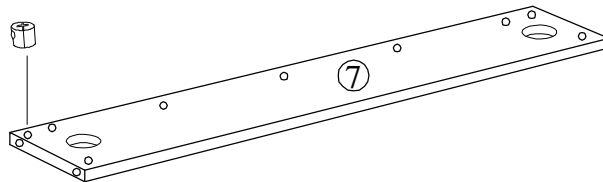


02

Important:
Make sure when you fit the nuts
that the hole is in the correct
alignment.



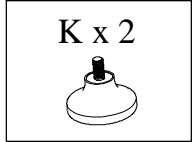
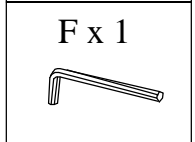
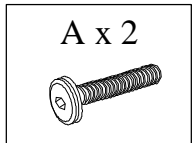
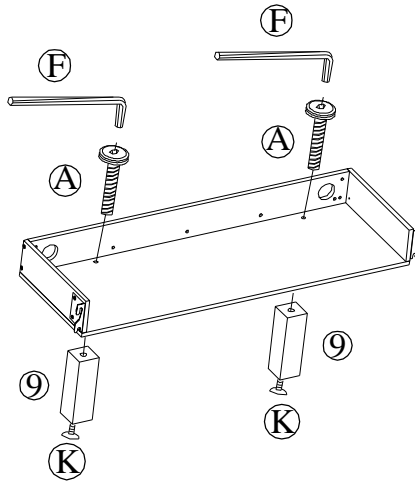
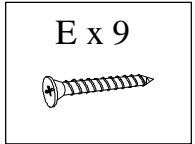
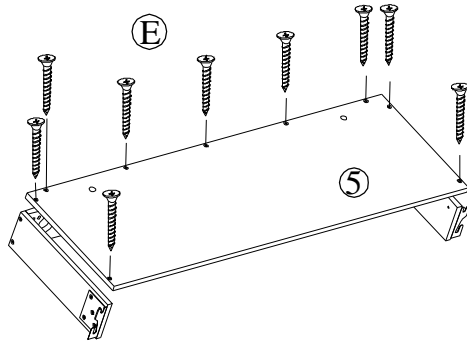
H x 9



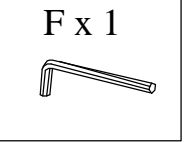
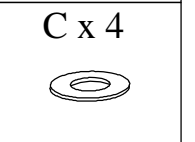
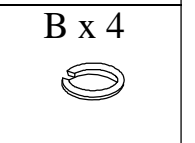
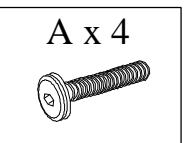
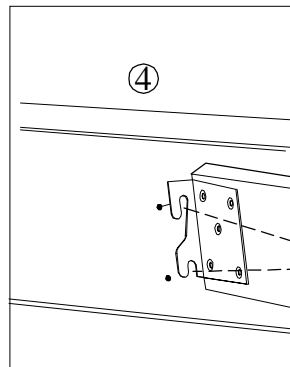
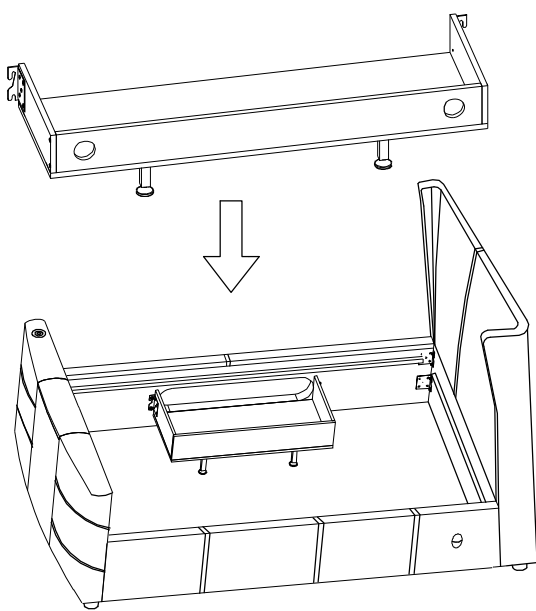
E x 4
H x 4

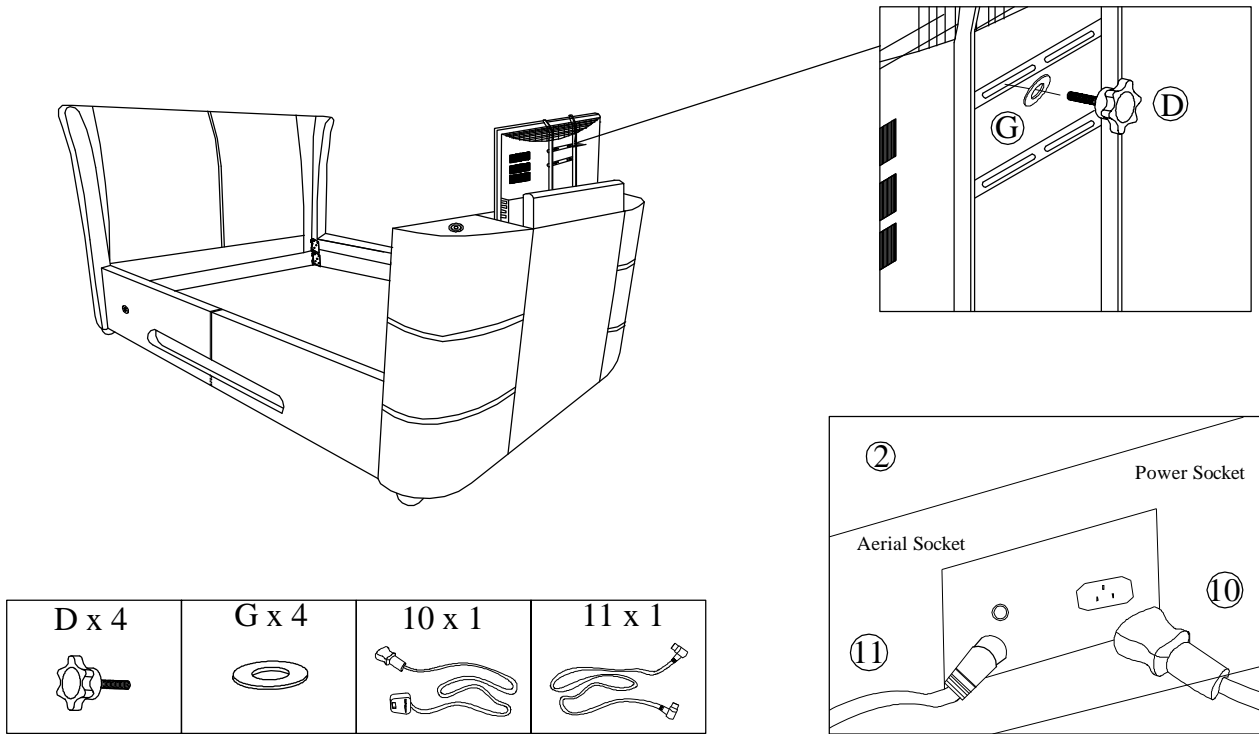
Assembly

03



04





COMPLETE THE INSTALLATION OF THE TV

1. Connect the power and aerial cables to the socket at the bottom of the footboard, and leads to the wall socket.
2. Manually open the lid on the top of the footboard and carefully remove any transit packaging.
3. Raise the TV lift bracket by pressing one of the lift buttons located on either of the bed side rails.
4. Carefully unpack your TV.
5. Carefully remove the 4 x "VESA" screws from the back of the TV.
VESA screws are used as standard screws to fit to other type of wall mountings.
6. Connect the TV to the lift mechanism by adjusting the TV bracket located at the top of the TV lift by using the screws (D) and washers (G) in your fixing back.
7. Connect the power, aerial and audio cables to the TV.
8. The TV can now be operated using the manufacturers instruction manual.
9. To lower your TV just press one of the TV lift buttons located on either of the side rails... your TV will automatically turn off as it disappears into the footboard.
10. When you want to watch TV again just press one of the TV lift buttons; your TV will rise from the footboard and automatically turn back on.

TROUBLESHOOTING

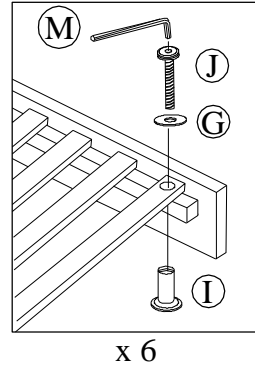
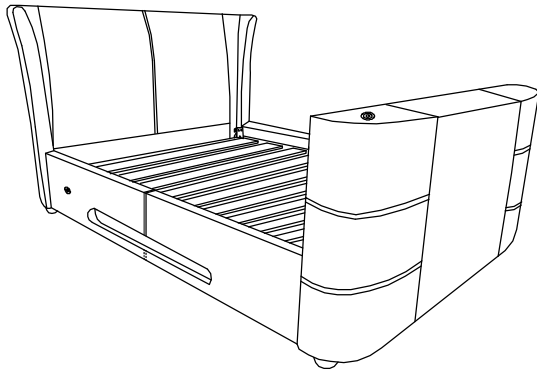
1. If your TV lift does not operate please check all power connections at the wall socket and into the base of the footboard.
2. If your TV lift still does not operate please operate both TV lift buttons to see if one is not operating correctly. If so check and replace the small battery located in the TV lift buttons that is not working. The lift button can easily be removed from the side rail, and replace the battery located in the back of the button.
Battery type - CR2016
3. If your TV lift still fails to operate, after replacing the batteries, please contact customer service number for further help and information.

Assembly

IMPORTANT NOTE:

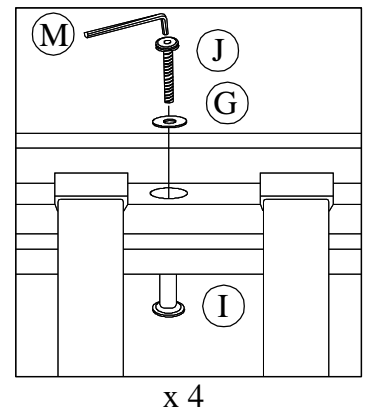
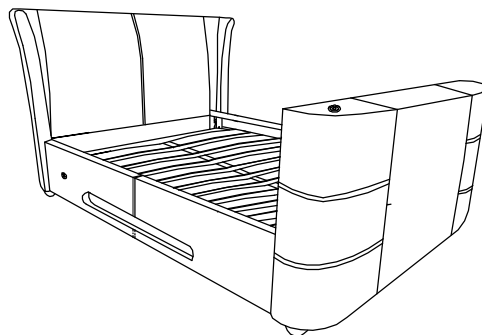
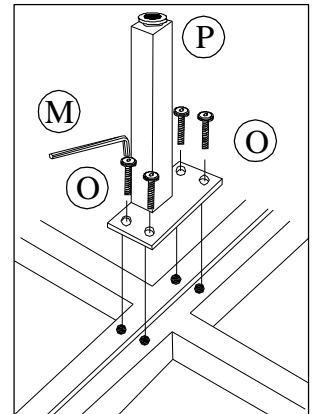
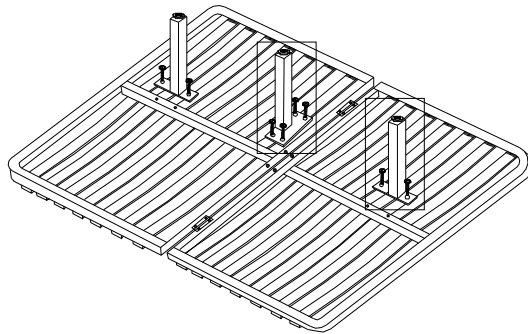
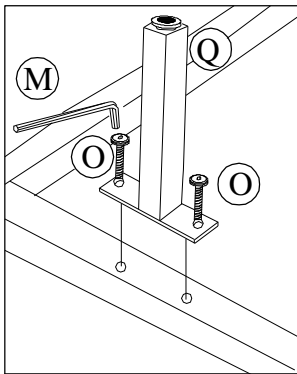
- a) Your bedstead comes supplied as standard with Solid Wood Slats, or upgrade available to Sprung Slat System at point of purchase at an additional cost.
- b) Please carefully follow the correct assembly instructions for the slat system that you have purchased.
- c) You have bought your bed, choosing one of two slat options; either solid or sprung. Although the assembly or both options are explained here, only one option will apply to you.

6(A). SOLID SLATS



G x 6
I x 6
J x 6
M x 1

6(B). SPRUNG SLAT SYSTEM



G x 4	I x 4	J x 4	M x 1	O x 8	P x 1	Q x 2