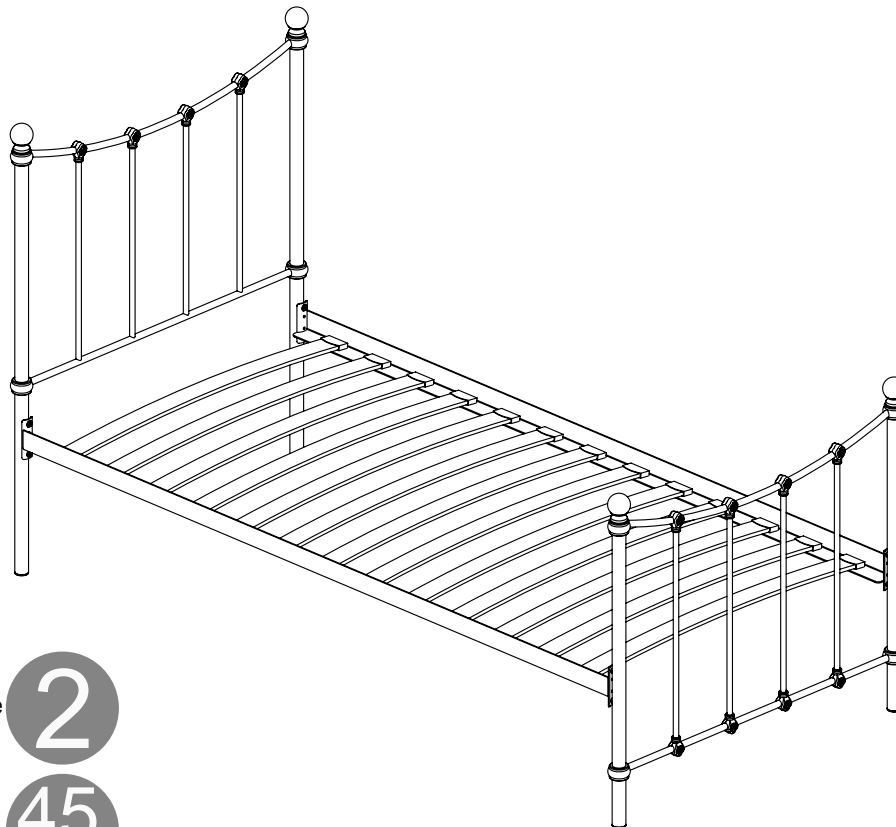




JASMINE SINGLE BED

213-00465 (WHITE)
213-00466 (BLACK)
213-00073 (PINK)

Assembly Instructions



Minimum No. of people recommended to assemble this product:

2

Approx assembly time:

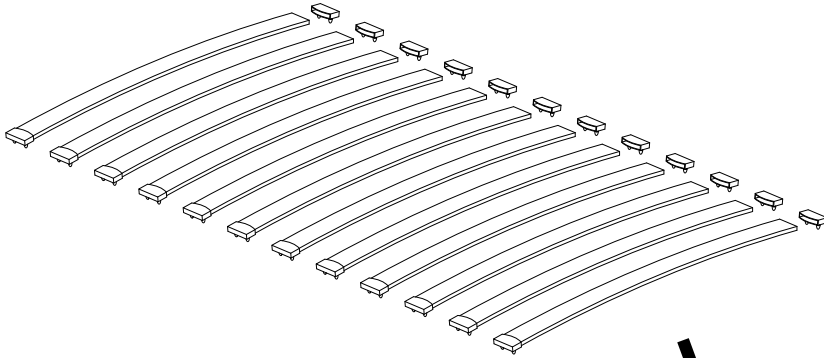
45 minutes

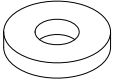
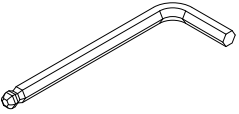
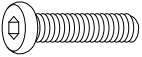

Before you start, here is some helpful advice

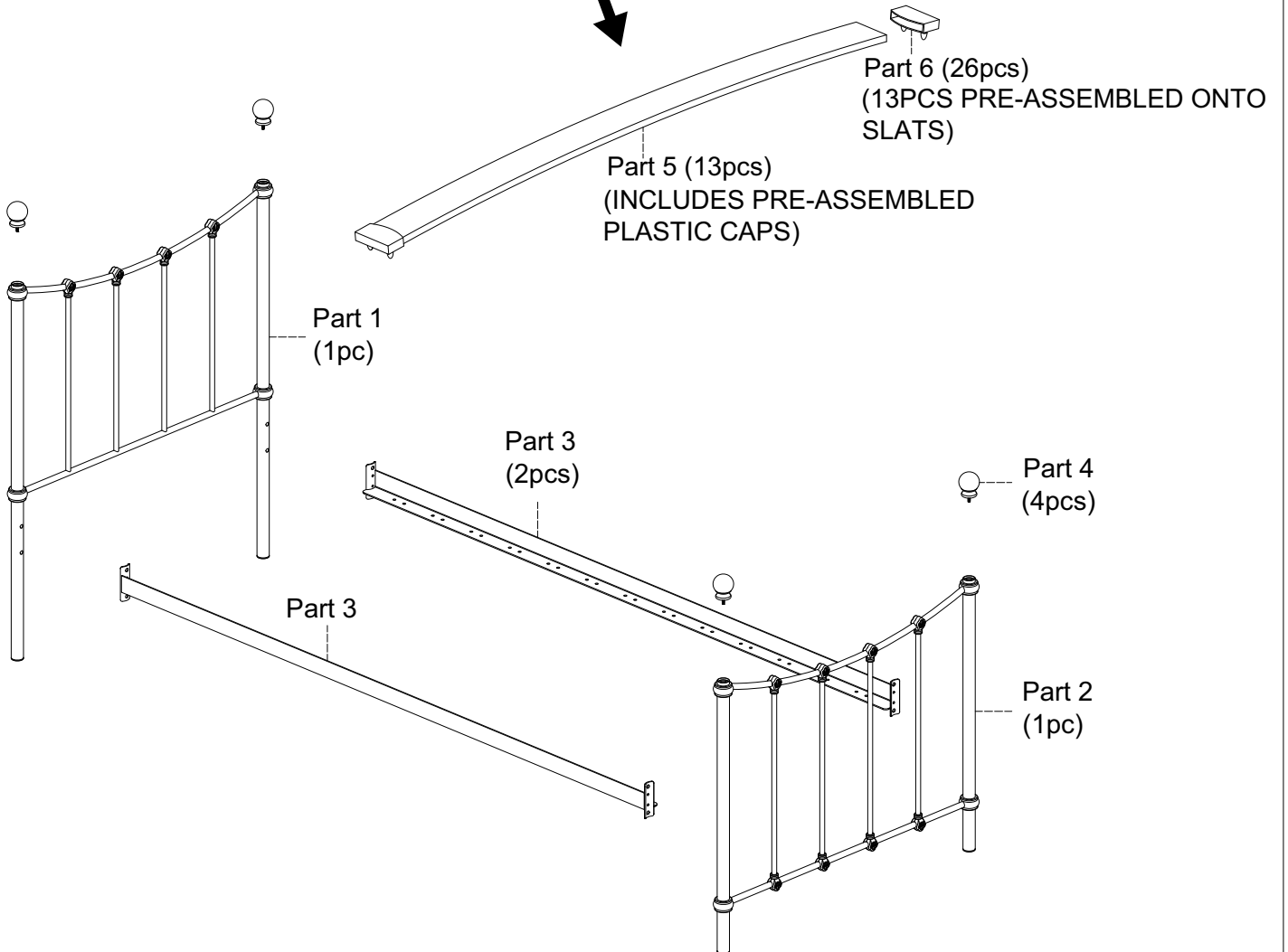
1. We suggest you spend a short time reading through this leaflet and then follow the simple step by step instructions.
2. If you follow the instructions carefully the end result should be worth the effort.
3. Do not discard any of the packaging until you have checked that you have all the parts and the pack of fittings.
4. To ensure an easier assembly, we strongly advise that all fittings are only finger tightened during initial assembly. Only upon completion of the assembly should all fixing points be fully tightened.
5. We recommend a periodic check on all fixing points to make sure they remain fully tightened.
6. Keep glue and fittings out of children's reach.
7. In the unlikely event that this product has missing or damaged parts, please call 0844 292 0000, followed by selecting Option 4 to obtain spares

Parts

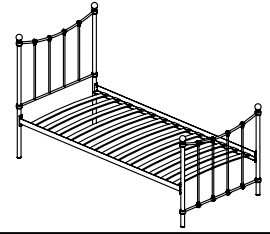
Fittings



A		8pcs
B		1pcs
C		8pcs
D		8pcs

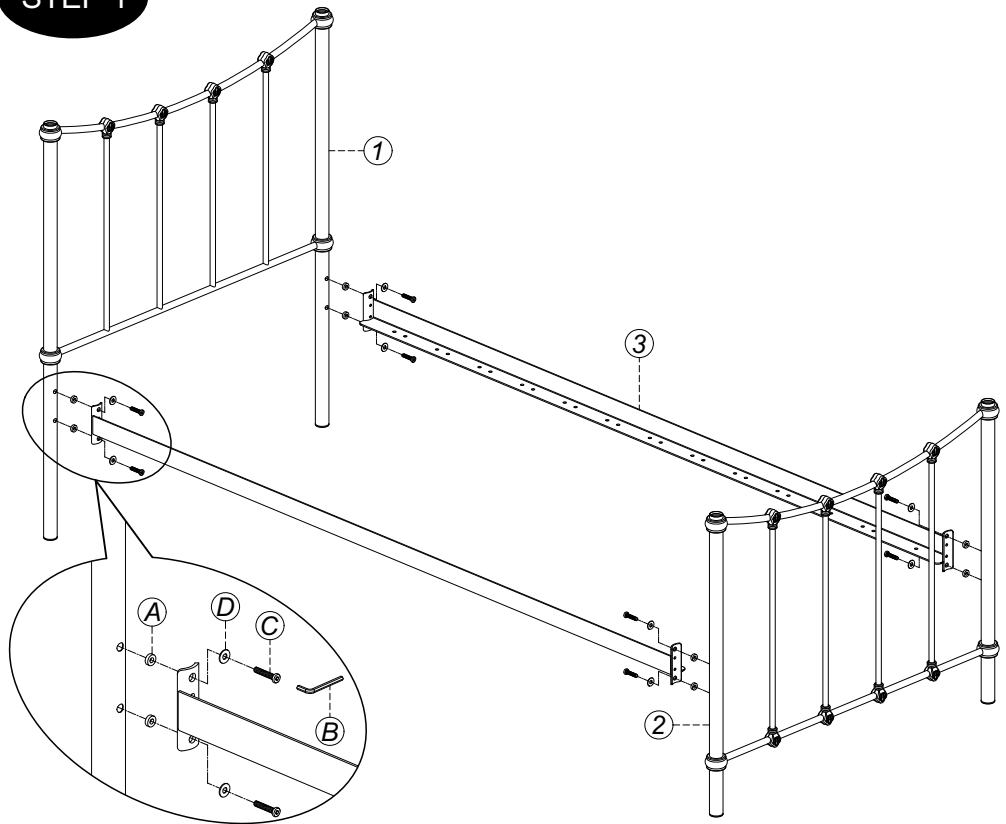


Assembly



- 1) Assemble side rails "3" in between headboard "1" and footboard "2" using fixings "C" "D" and "A".

STEP 1



- 1) Fit plastic caps "6" onto one end of slats "5".
(the other cap has been pre-assembled).

STEP 2

- 2) Locate slats onto side rails.
- 3) Fit finials "4" to headboard and footboard.

