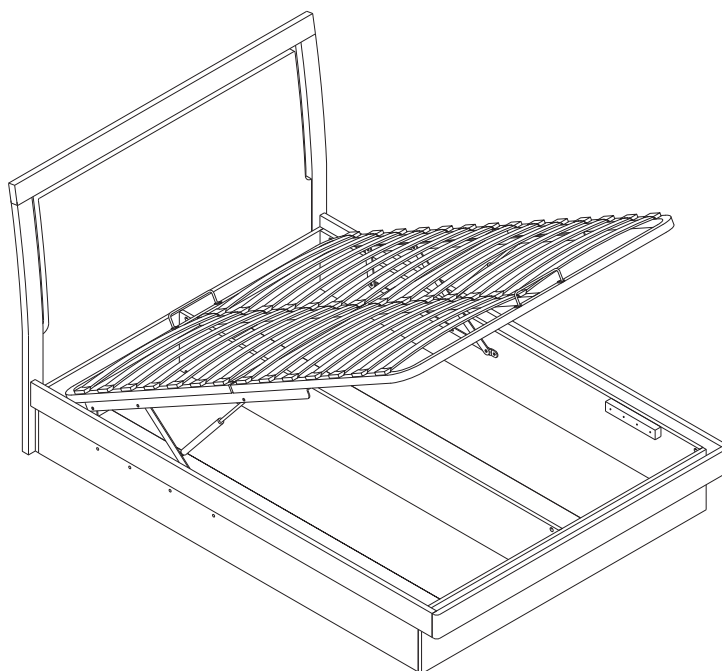




ISABELLA BED

Assembly Instructions



Minimum No. of people
recommended to assemble
This product.
Approx assembly time:

2

1
hour

NOTE: It will require two people to assemble this bed. Assembly should be carried out in the room that the bed will be used in.

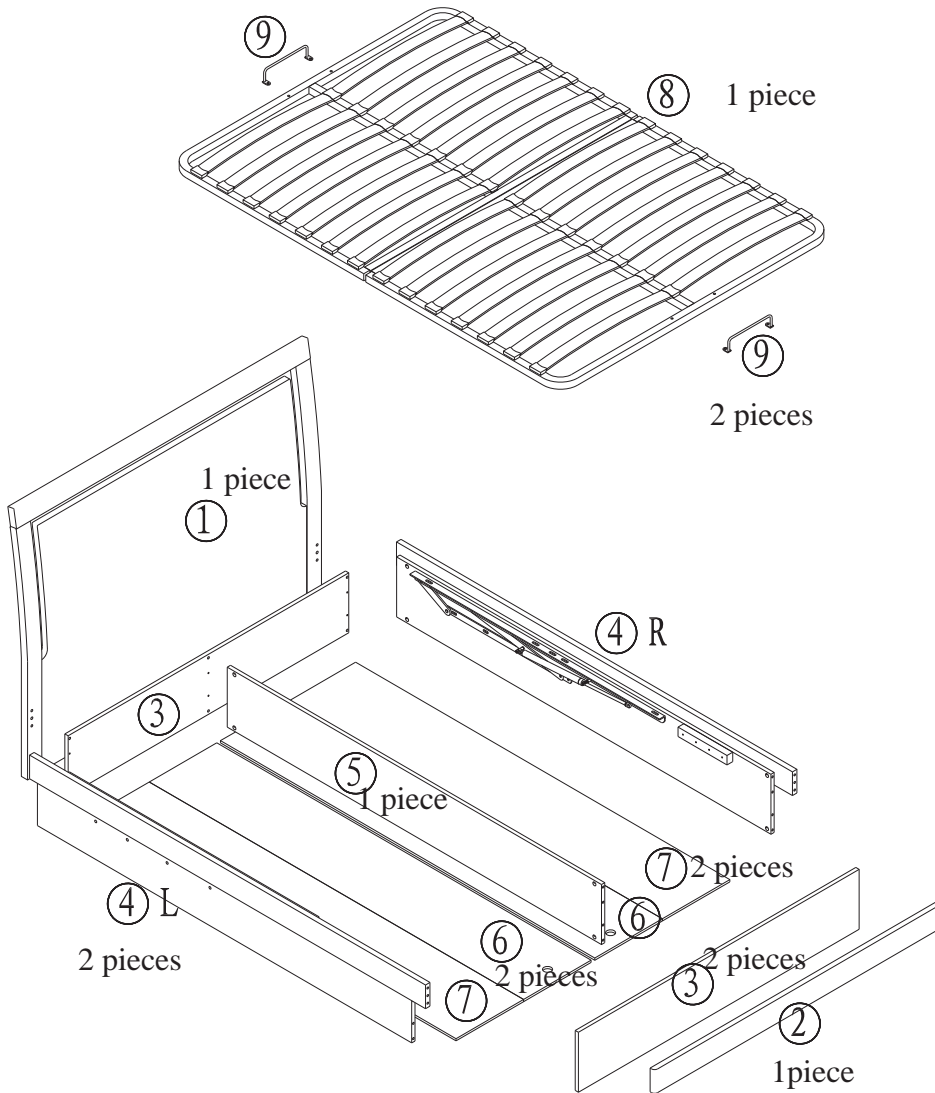
**Before you
start, here
is some
helpful advice**

1. We suggest you spend a short time reading through this leaflet and then follow the simple step by step instructions.
2. If you follow the instructions carefully the end result should be worth the effort.
3. Do not discard any of the packaging until you have checked that you have all the parts and the pack of fittings.
4. Assemble this product on a carpet.
5. To ensure an easier assembly, we strongly advise that all fittings are only finger tightened during initial assembly. Only upon completion of the assembly should all fixing points be fully tightened.
6. We recommend a periodic check on all fixing points to make sure they remain fully tightened.
7. Keep glue and fittings out of children's reach.

In the unlikely event that this product has missing or damaged parts, please call 08442 920000 to obtain spares


Component parts and fittings contained in the box


PARTS

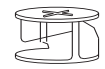


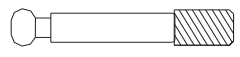
Fittings

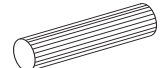
A  M8 x80mm Bolt 4pcs

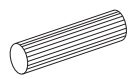
B  Φ8 Washer 4pcs

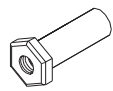
C  M8 Barrel Nut 4pcs

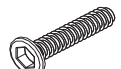
D  Locking Nut 16pcs

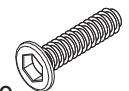
E  Locking Pin 16pcs


F  Φ10 Dowel 4pcs

G  Φ8 Dowel 12pcs

H  1/4" JCN Nut 4pcs

I  1/4" * 3/4" Bolt 4pcs

J  M8*20 Bolt 10pcs

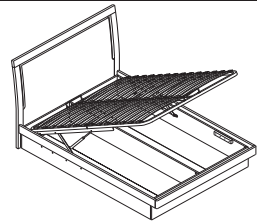
K  Spanner 1pc

L  4MM Allen key 2pc

N  Nut 2pcs

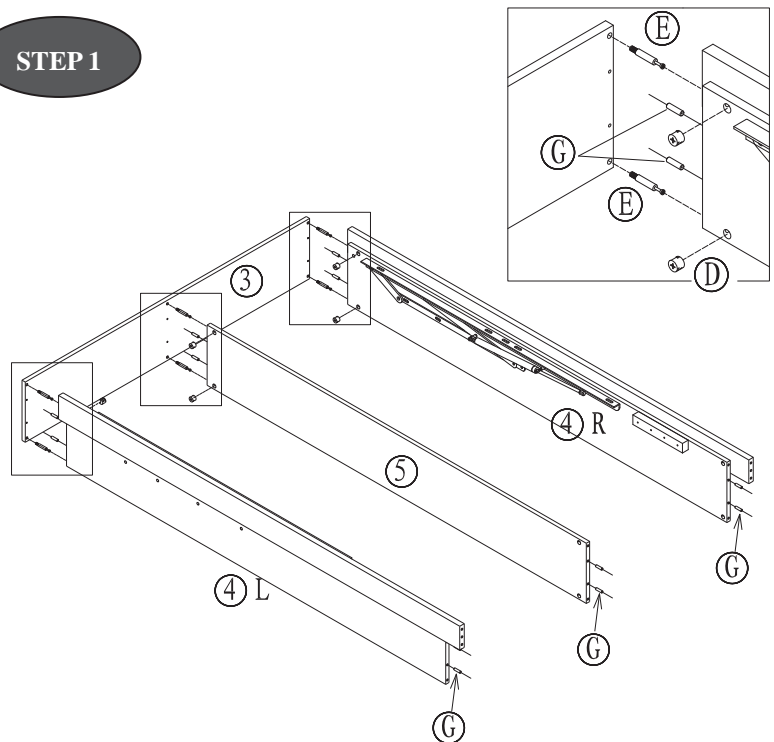
M  5MM Allen key 1pc

ASSEMBLY



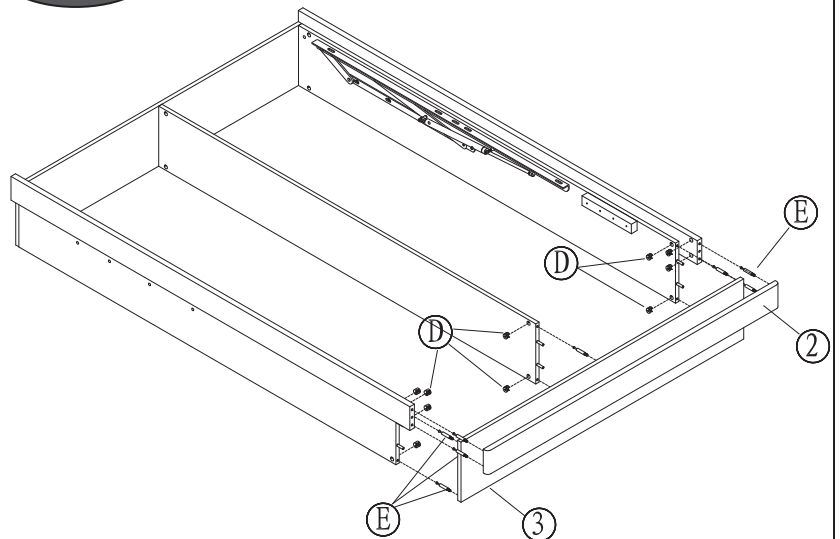
STEP 1

- 1) Fit wood dowels (G) into holes in the ends of side rails (4) and center rail (5). Screw Locking Pins (E) into the headboard panel (3).
- 2) Use Locking Nuts (D) to fix the headboard onto side panel (4) and center panel (5).

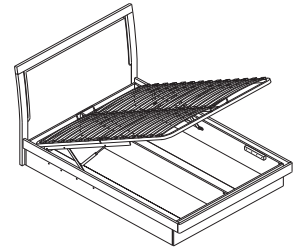


STEP 2

- 1) Assemble footboard panels (2&3) to the side rails (4R&4L). Secure by tightening the locking nuts in the same way as described in step 1.

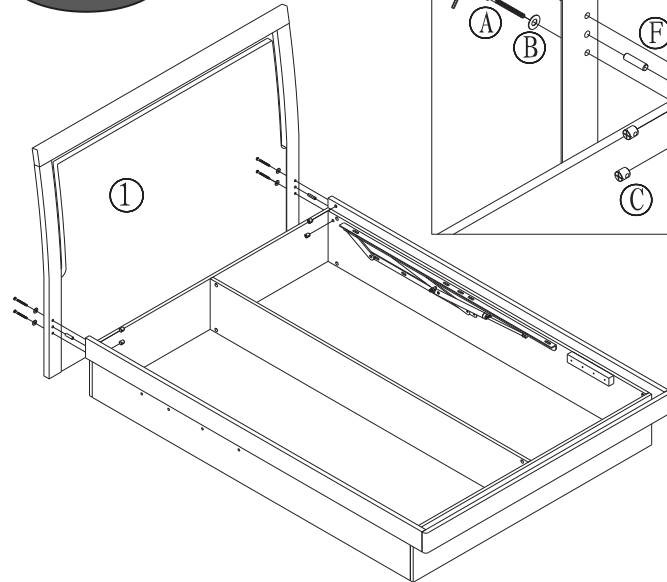


ASSEMBLY



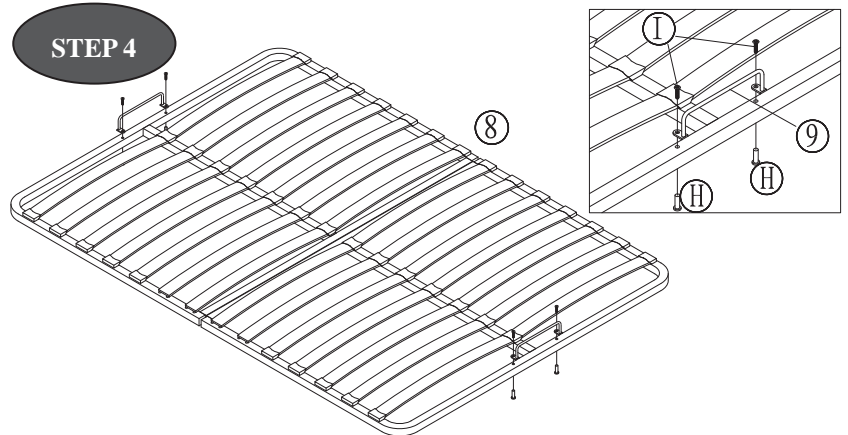
1) Fit the headboard (1) to the unit.

STEP 3



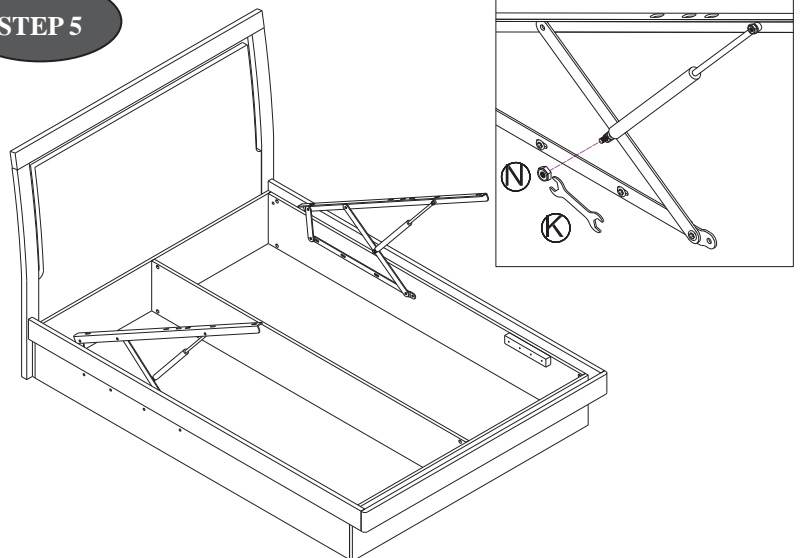
1) Fit the mattress support rails (9) to the slat frame (8).

STEP 4

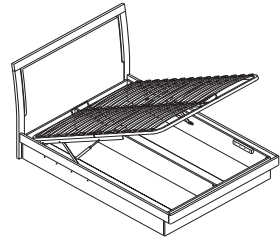


1) Screw the Nut (N) onto the piston bracket .

STEP 5

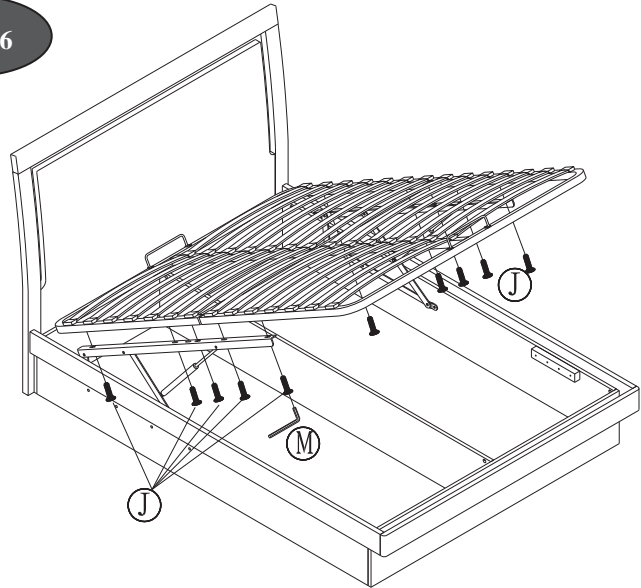


ASSEMBLY



1) Two people carefully lower the slat frame onto the piston bracket . Secure by threading bolts (J) to slat frame on the piston bracket .

STEP 6



1) Position base boards (6&7) into the bed frame.

STEP 7

