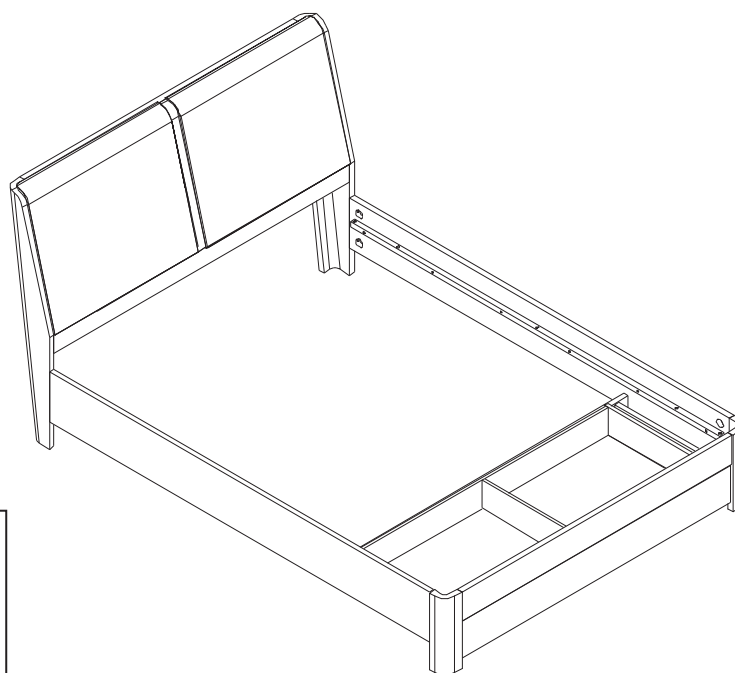




HUDSON B/S

Assembly Instructions



Minimum No. of people
recommended to assemble
this product:
Approx assembly time:

2

3/4
hour



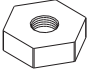




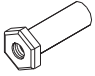
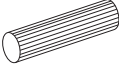
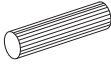








NOTE: It will require two people to assemble this bed. Assembly should be carried out in the room that the bed will be used in.

**Before you
start, here
is some
helpful advice**

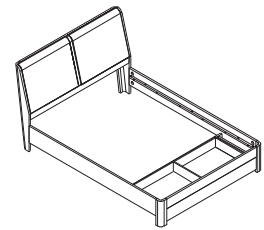
1. We suggest you spend a short time reading through this leaflet and then follow the simple step by step instructions.
2. Do not discard any of the packaging until you have checked that you have all the parts and the pack of fittings.
3. To ensure an easier assembly, we strongly advise that all fittings are only finger tightened during initial assembly. Only upon completion of the assembly should all fixing points be fully tightened.
4. We recommend a periodic check on all fixing points to make sure they remain fully tightened.
5. Keep glue and fittings out of children's reach.

In the unlikely event that this product has missing or damaged parts, please call 08442 920000 to obtain spares.

Component parts and fittings contained in the box

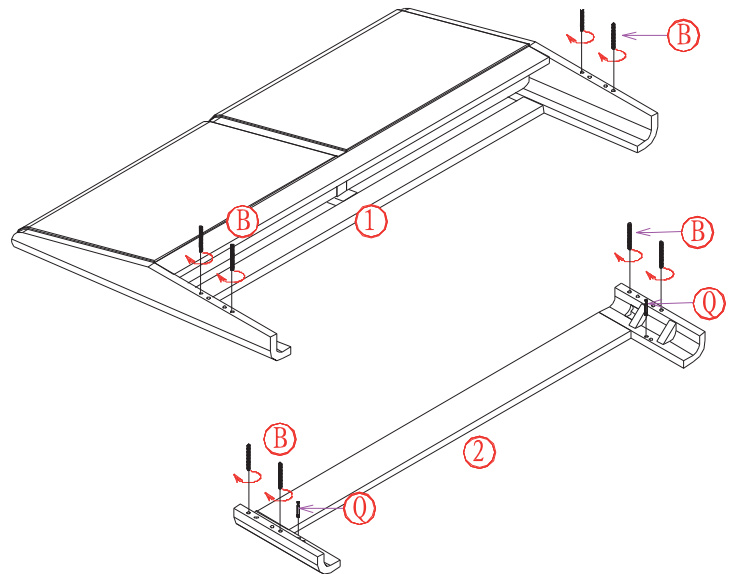
PARTS		Fitting			
		A Connector 8pcs 			
		B Connecting bolt 8pcs 			
		C M8 Nut 8pcs 			
		D Φ8 Spring washer 8pcs 			
		E Spanner 1pc 			
		F 4MM Allen key 1pc 			
		G M6*35 Bolt 6pcs 			
		H M6 JCN NUT 6pcs 			
		I Φ10 Dowel 8pcs 			
		J Φ8 Dowel 18pcs 			
		K M6*15 Bolt 4pcs 			
		L 32mm Screw 6pcs 			
		M 25mm Screw 3pcs 			
		N 16mm Screw 24pcs 			
		R Castor 6pcs 	Q Locking Pin 8pcs 	P Locking Nut 8pcs 	O Angle Iron 2pcs 

ASSEMBLY



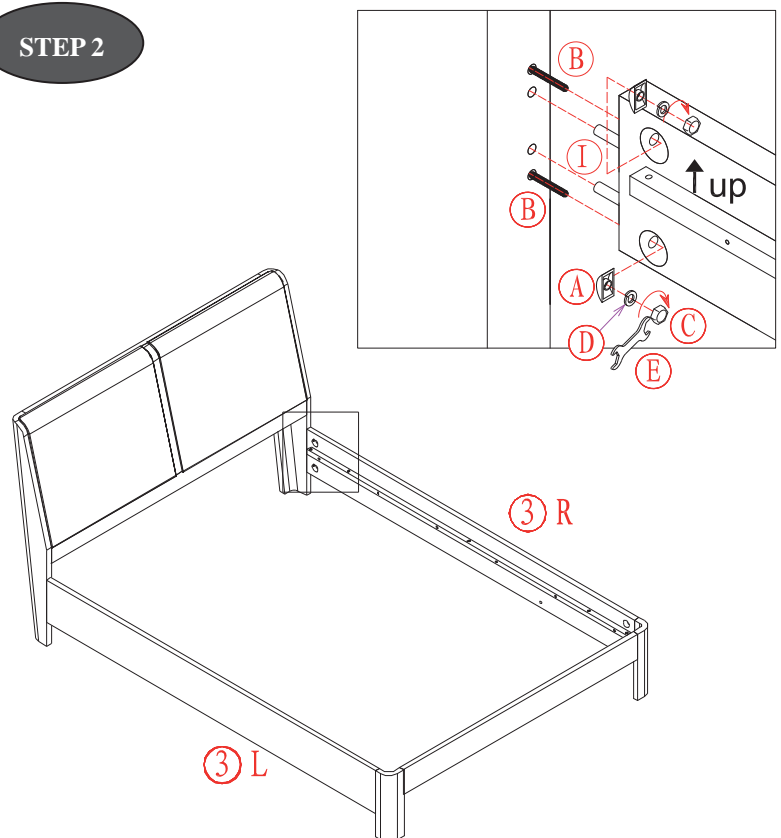
- 1) Screw the connecting bolt (B) into the head/foot board (1&2).
- 2) Screw the Locking Pins (Q) into the footboard (2).

STEP 1

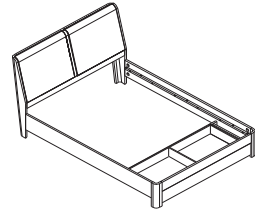


- 1) Carefully fit the side rails to the headboard and footboard.
Use connectors (A), Spring Washer (D) and Nuts (C) to fix the unit. (See inset).

STEP 2

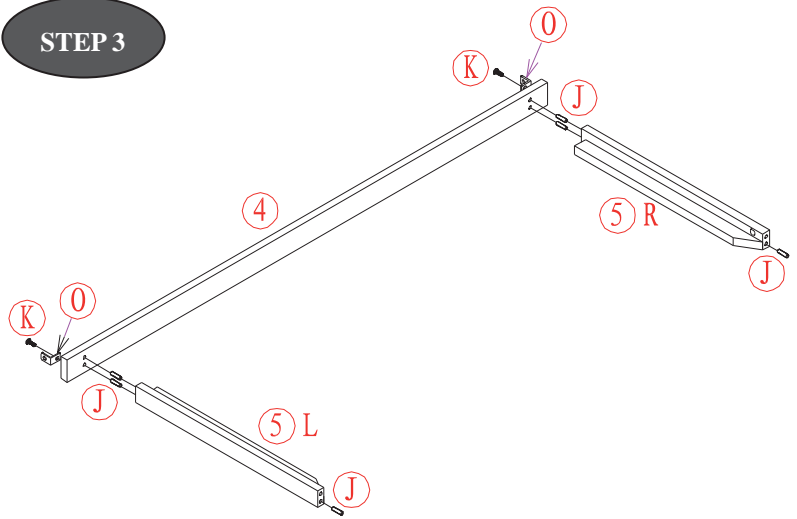


ASSEMBLY



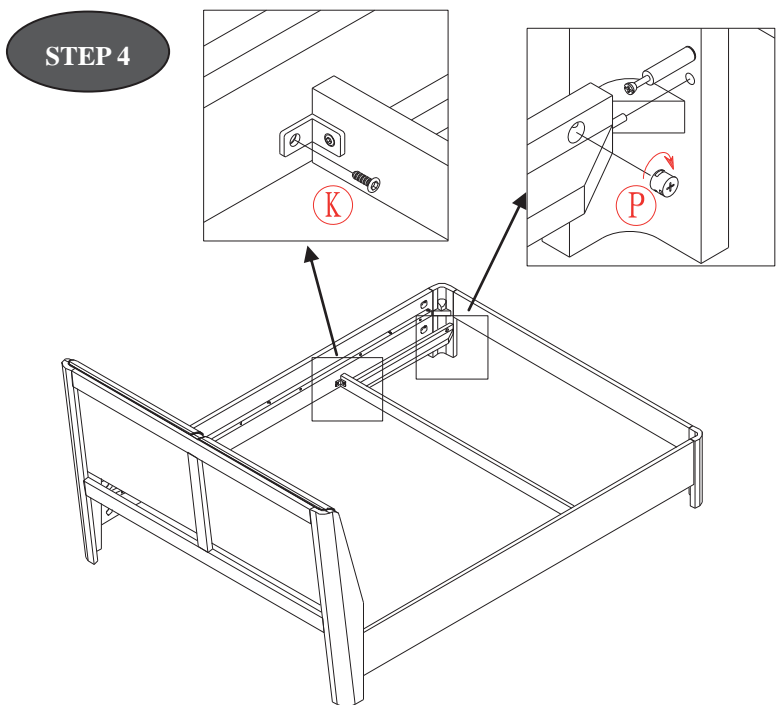
STEP 3

- 1) Insert the Dowels (J) into the Rail (5).
Then insert the Center Rail (4).
- 2) Fix the Angle Iron (O) on to the Center Rail (4) with Bolts (K).



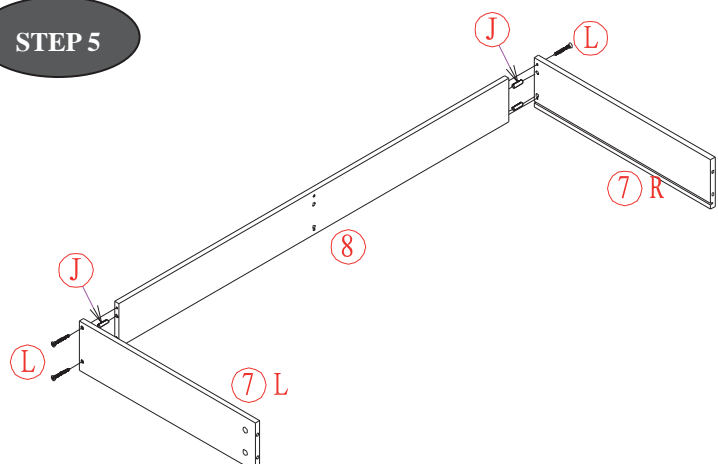
STEP 4

- 1) Fix the unit to the bed with Locking Nut (P) and Bolt (K).

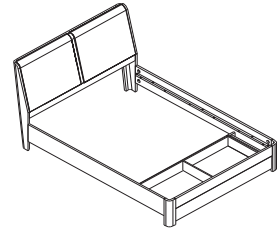


STEP 5

- 1) Fix Back Panel (8) to the Side Panel (7) with Screws (L) and Dowel (J).

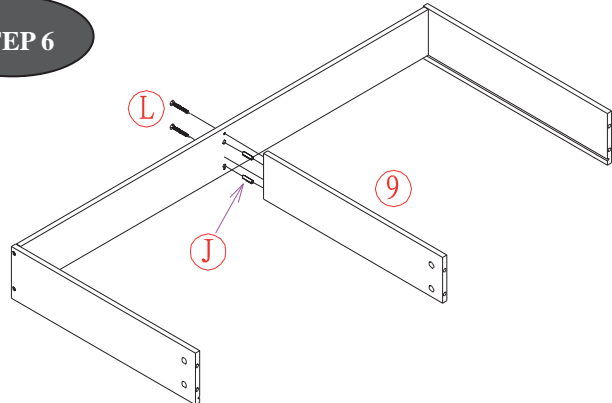


ASSEMBLY



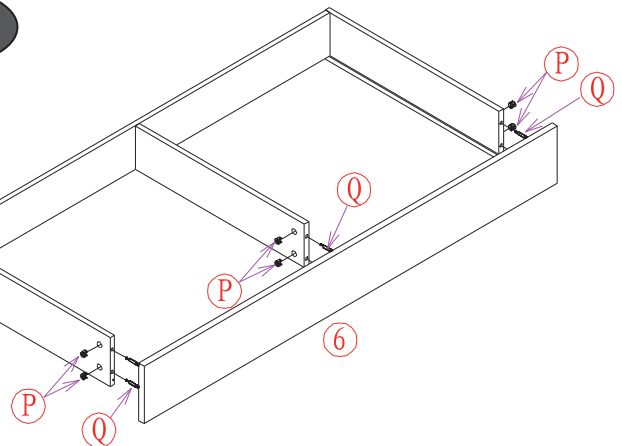
1) Fix Middle Panel (9) to the Back Panel with Screws (L) and Dowels (J).

STEP 6



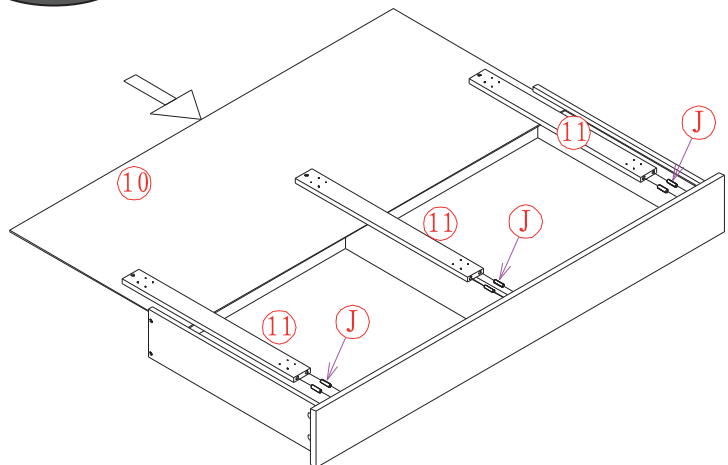
1) Screw Locking Pins (Q) into the Front Panel (6), use Locking Nuts (P) to fix the Front Panel (6) onto the unit.

STEP 7

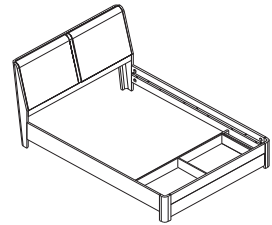


1) Slide the Bottom Panel (10) into the unit and insert the Dowels (J) into the Bottom Rail (11), then insert the Bottom Rail onto the Front Panel.

STEP 8

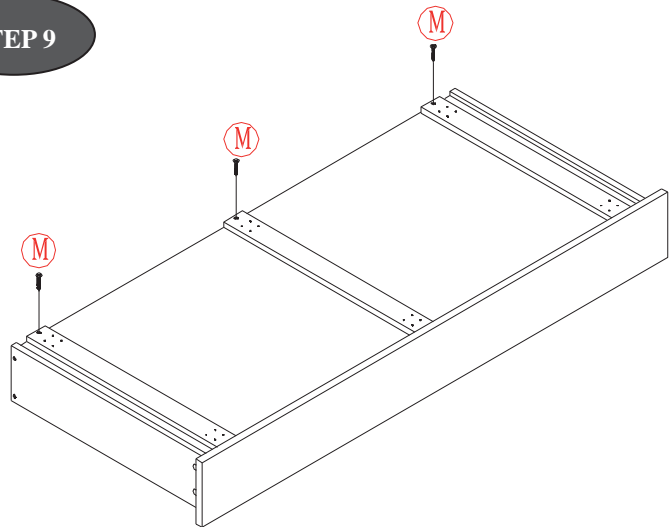


ASSEMBLY



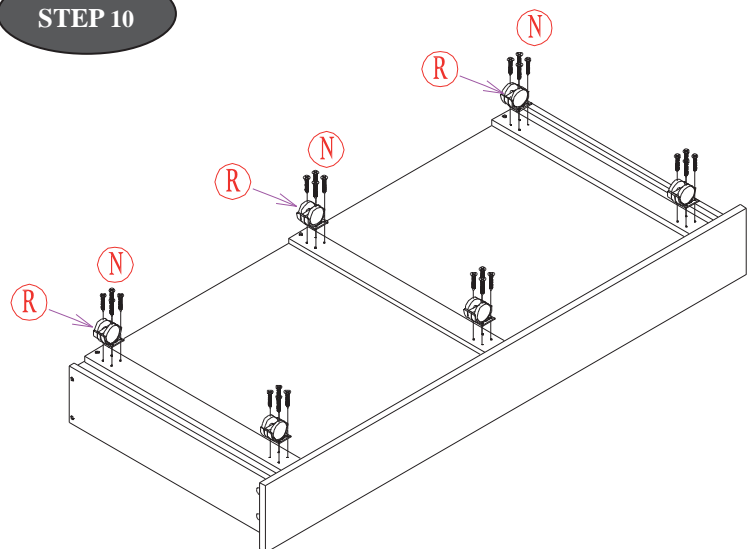
1) Use Screws (M) to fix the bottom rails onto the unit.

STEP 9



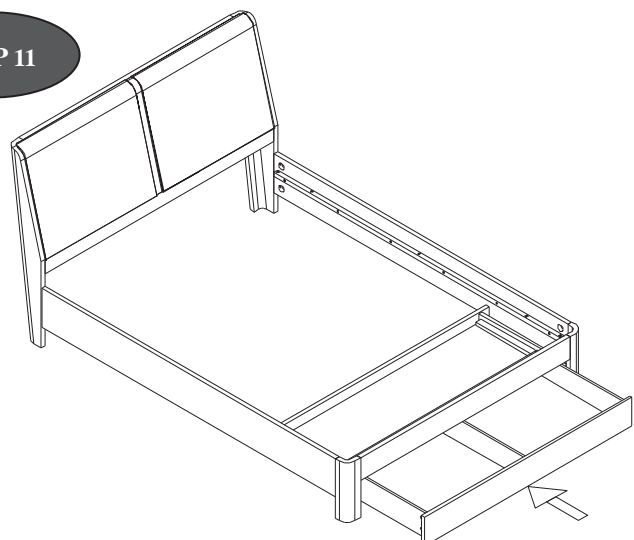
1) Use Screws (N) to fix the Castor (R) onto the bottom rails.

STEP 10

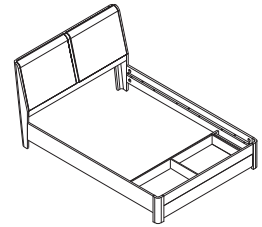


1) Carefully place the drawers into the unit.

STEP 11



ASSEMBLY

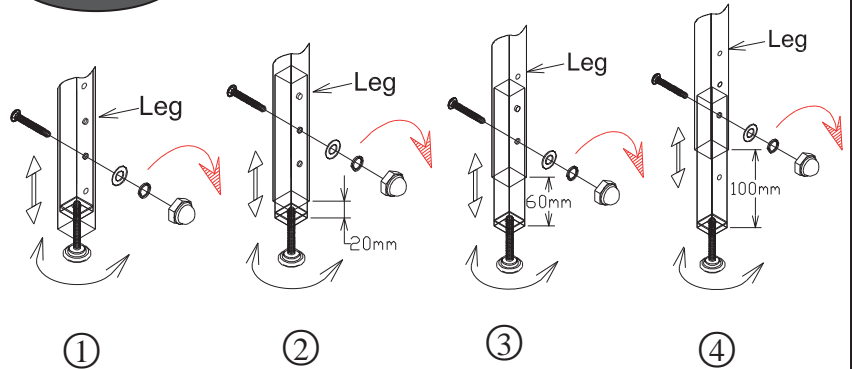


NOTE: Slats not supplied shown for reference only.

Both slats on “step 12---step 15” can be assembled to the bedstead. You can make a choice between the two slats.

- 1) Support leg height have the four position, you can adjust according to the bed height to choose the right position to fix in the “STEP 3”.
- 2) If need, you can adjust by screwing in or out the support leg leveler at the bottom.

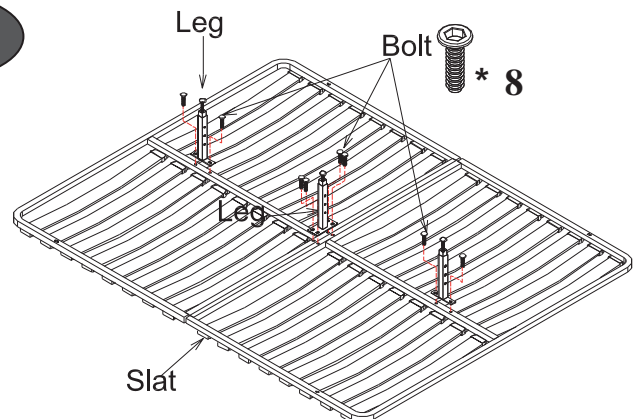
STEP 12



Select correct height for your bedstead

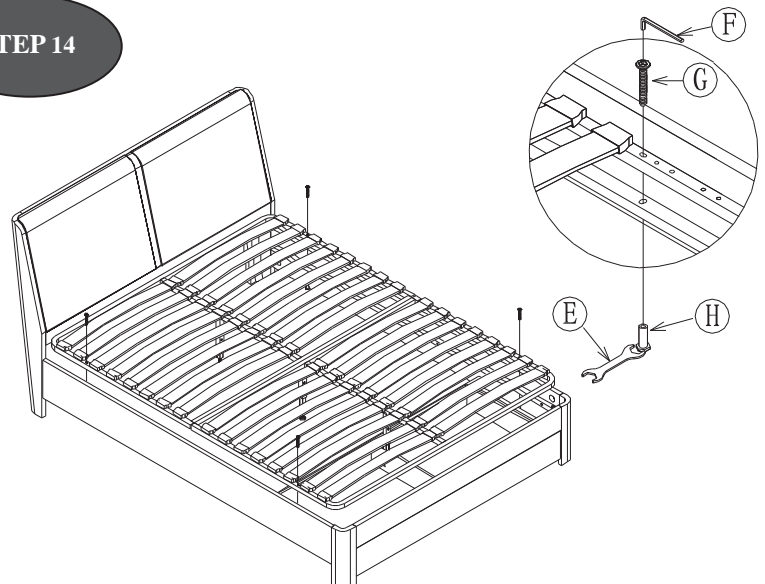
- 1) Bolt the legs onto the slats frame.

STEP 13

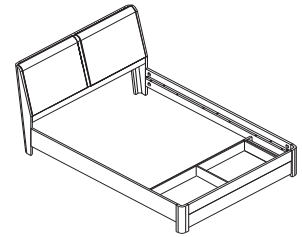


- 1) Carefully place the slat frame onto the bed.
- 2) Use bolt (G) and JCN nut (H) to fix the slat frame onto the bed.

STEP 14



ASSEMBLY



STEP 15

Solid Slat System:

- 1) Carefully place the slat frame onto the bed.
- 2) Use bolt (G) and JCN nut (H) to fix the Slat frame onto the bed.

