



215-00945 (Solid slats)

Hardy Bed

215-00946 (Sprung slats)

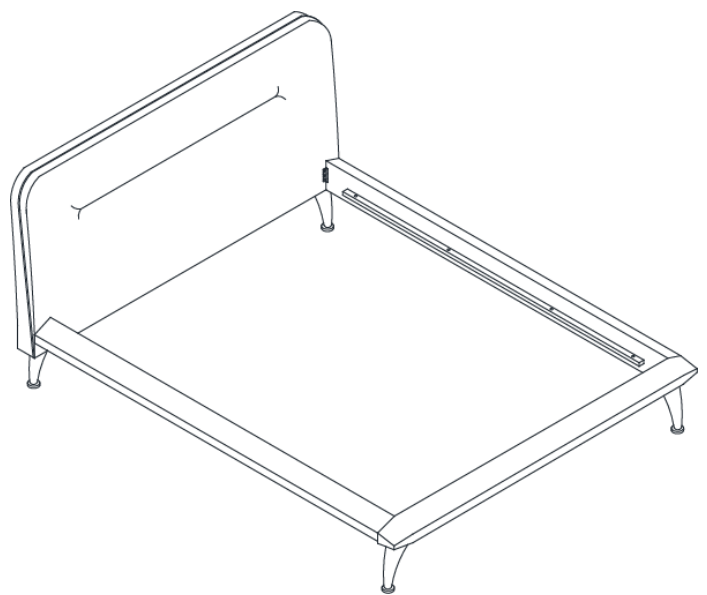
Assembly Instructions

Minimum No. of people recommended to assemble this product:

2

Approx assembly time:

1/2
hours



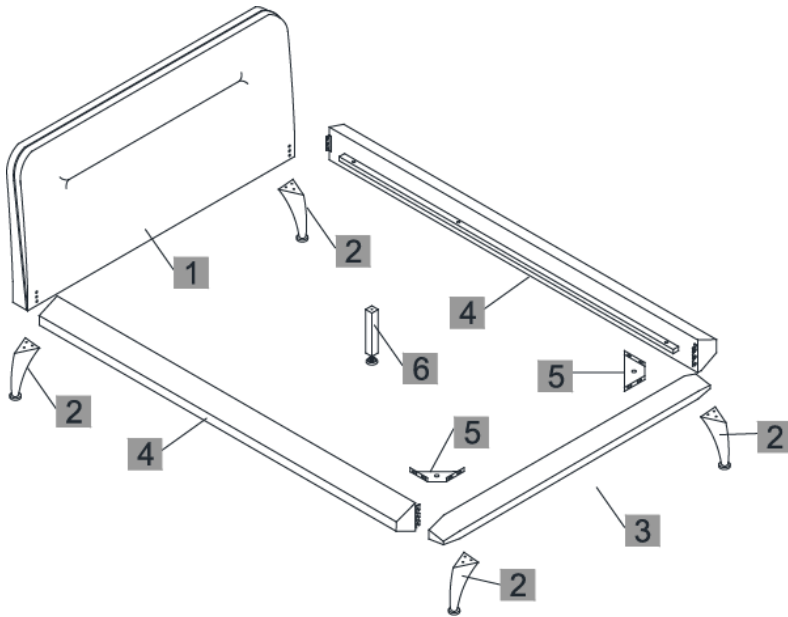
Before you Start, here are some helpful advices.

1. We suggest you spend a short time reading through this leaflet and then follow the simple step by step instructions.
2. If you follow the instructions carefully the end result should be worth the effort.
3. Do not discard any of the packaging until you have checked that you have all the parts and the pack of fittings.
4. Assemble this product on a carpet.
5. To ensure an easier assembly, we strongly advise that all fittings are only finger tightened during initial assembly. Only upon completion of the. Assembly should all fixing points be fully tightened.
6. We recommend a periodic check on all fixing points to make sure they remain fully tightened.
7. Keep glue and fittings out of children's reach.

In the unlikely event that this product has missing or damaged parts, please call 03442 920000 to obtain spares

PARTS

Fittings



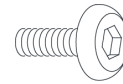
NO. PART LIST

NO.	PART LIST	QTY
(1)	HEADBOARD	1
(2)	METAL FEET	4
(3)	FOOTBOARD	1
(4)	SIDE RAILS (R&L)	2
(5)	CORNER BRACKET WITH PAD	2
(6)	SUPPORT LEG	1



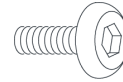
Not included

A



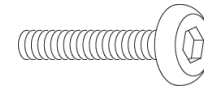
M8x20mmx8pcs

B



M6x20mmx12pcs

C



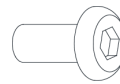
M6x35mmx6pcs

D



M3x35mmx1pcs

E



M6nut x6pcs

F



M6nutx6pcs

G



M8 Washer x8pcs

H



M6 Washer x12pcs

I



M4Allen key x 2pcs

J



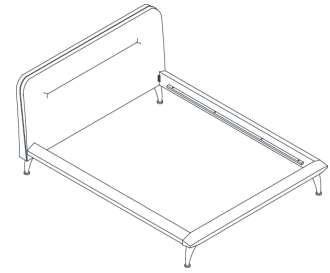
M5Allen key x 1pc

K



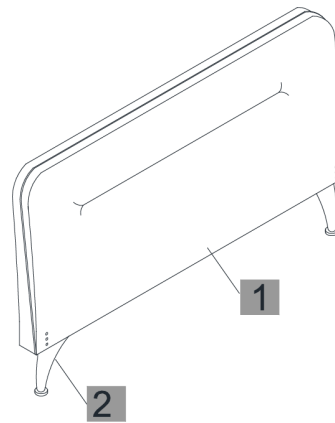
Spanner x 1pc

ASSEMBLY



(1). Use bolt (B) to fix the Metal feet to Headboard by using Allen Key (I) .

STEP 1



B

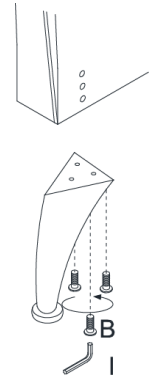


M6×20mm×6pcs

I



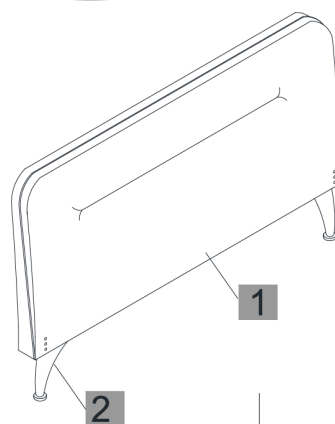
M4 Allen key × 1pc



(1). Loosen the pre-assembled bolts on the headboard and footboard with the Allen Key(J)

Note: Leave 10 mm protruding as in the diagram

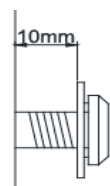
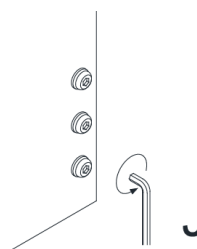
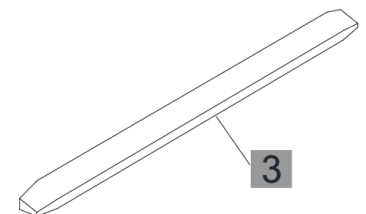
STEP 2



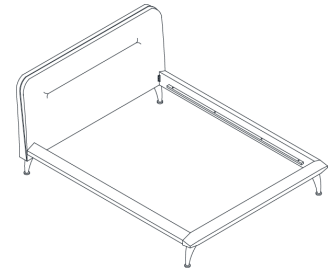
J



M5 Allen key × 1pc



ASSEMBLY

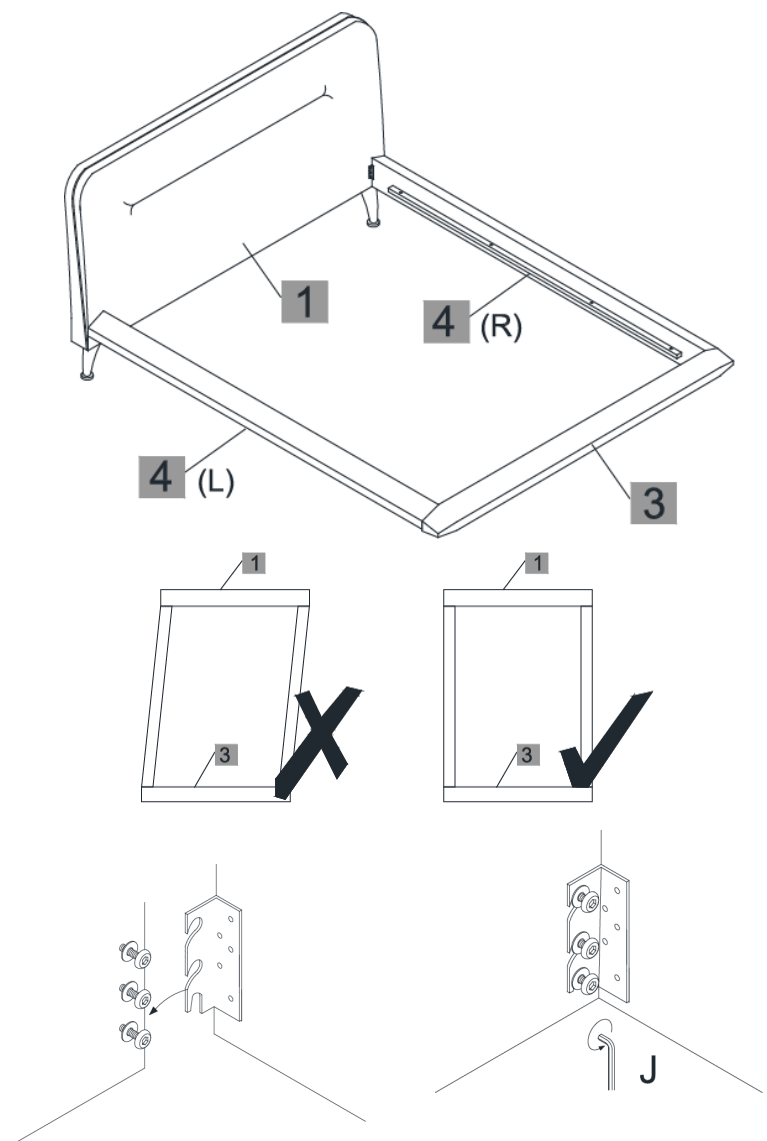
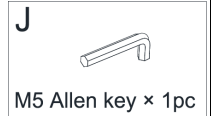


(1). Attach the side rails to the headboard and footboard.
Pay attention to the left side rail and right side rail as the diagram.

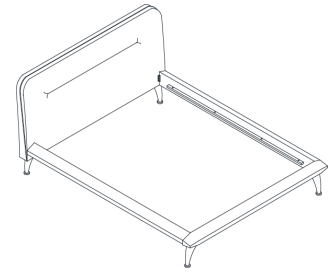
MAKE CERTAIN THE BED IS SQUARED UP .AS SHOWN ON THE RIGHT.

Once all four comers are located. make sure the bed is still square as in the sketch.then tighten all the bolts 100% using Allen key (J)

STEP 3



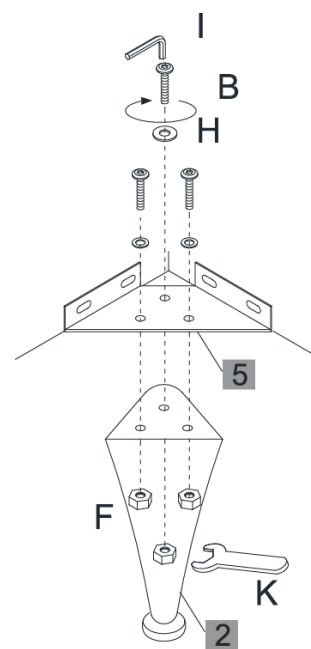
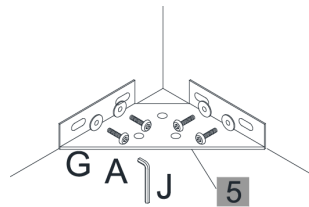
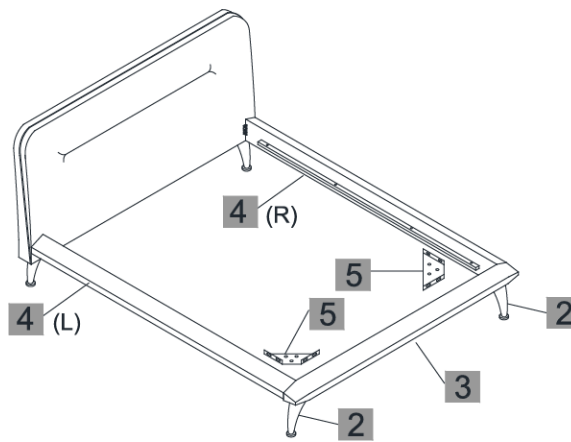
ASSEMBLY



(1). Use bolt (A), Washer (G) to fix the Corner bracket to Footboard and Side rails by using Allen Key (J) .

(2). Use bolt (B),Nut (F), Washer (H) to fix the Metal Feet to Corner bracket by using Spanner (K) and Allen Key (I) .

STEP 4



A



M8x20mmx8pcs

B



M6x20mmx6pcs

F



M6 nut x 6pcs

G



M8 Washer x8pcs

H



M6 Washer x6pcs

I



M4 Allen key x 1pc

J



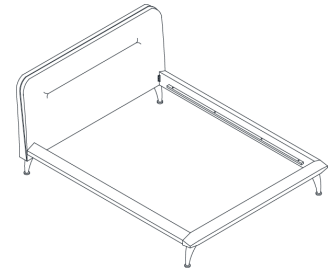
M5 Allen key x 1pc

K



Spanner x 1pc

ASSEMBLY



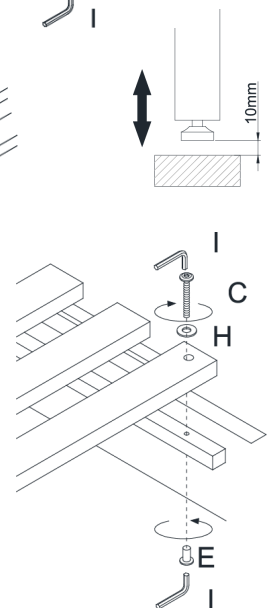
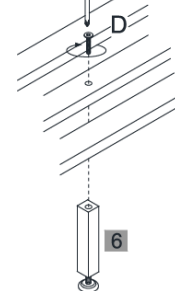
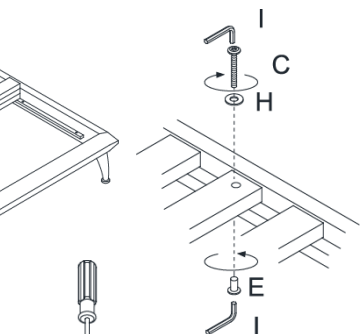
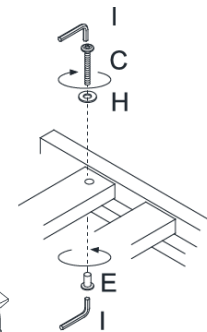
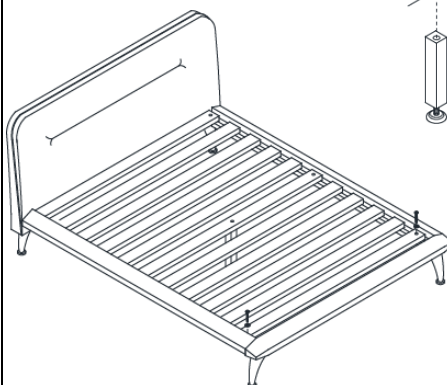
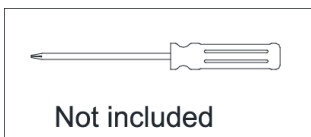
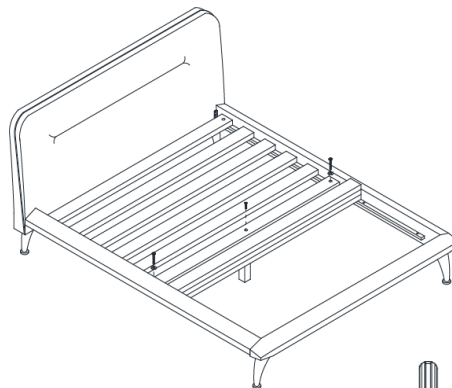
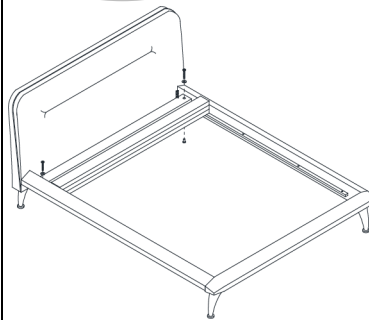
NOTE: Slats not supplied shown for reference only.






Both slats on "step 4" and "step 5" can be assembled to the bedstead. You can make a choice between the two slats.

OPTION "A": DREAMS FIXED WOOD SLATS

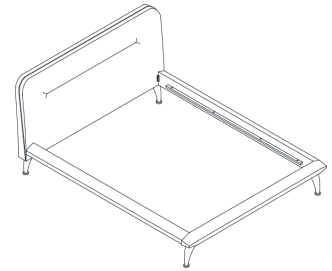
- (1) Carefully locate the slats onto the unit. Fix one end of slats,
- (2) Use bolt (C) ,Washer (H) and JCN nut (E) to fix the unit using Allen Key (I)
- (3) Use Tapping Screw (D) to fix the Support leg
- (4) Fix all other slats.
- (5) By hand insert adjustable feet into each support leg by turning clockwise.

STEP 5



C	
	M6×35mmx6pcs
D	
	M3×35mmx1pc
E	
	M6nut x6pcs
H	
	M6 Washer x6pcs
I	
	M4 Allen key × 2pcs

ASSEMBLY



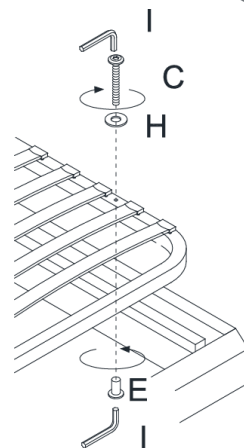
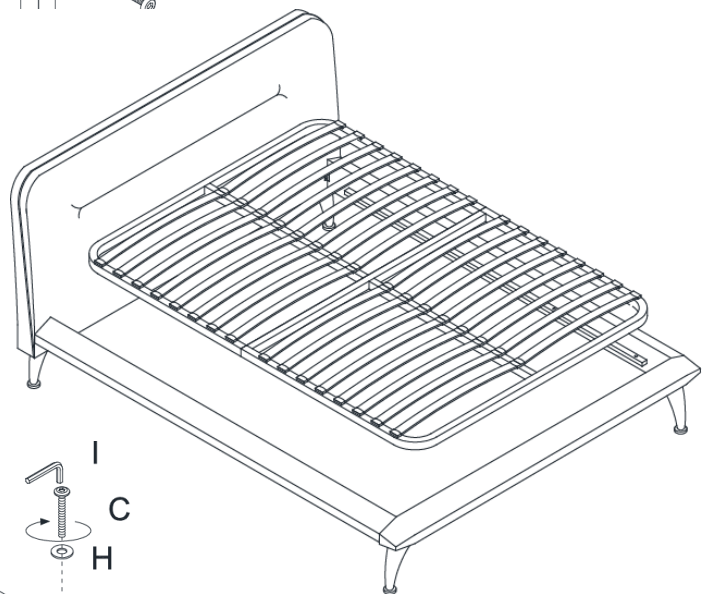
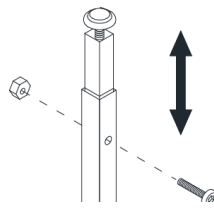
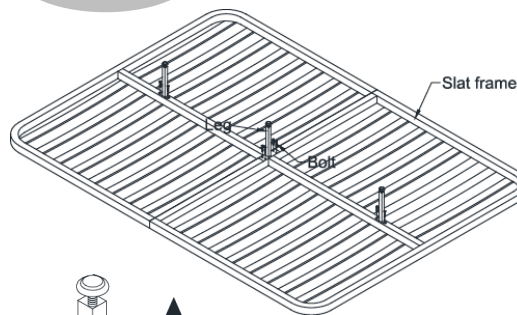
OPTION "B": DREAMS SPRUNG SLATS

1) Use the bolt to fix support leg onto the slat frame. Please note that these bolts are to be found inside the slat frame box.

2) Carefully locate the slats onto the unit.

3) Use bolt (C), Washer (H) and JCN nut (E) to fix the unit using Allen Key (I)

STEP 6



C



M6×35mmx6pcs

E



M6nut x6pcs

H



M6 Washer x6pcs

I



M4 Allen key × 2pcs