

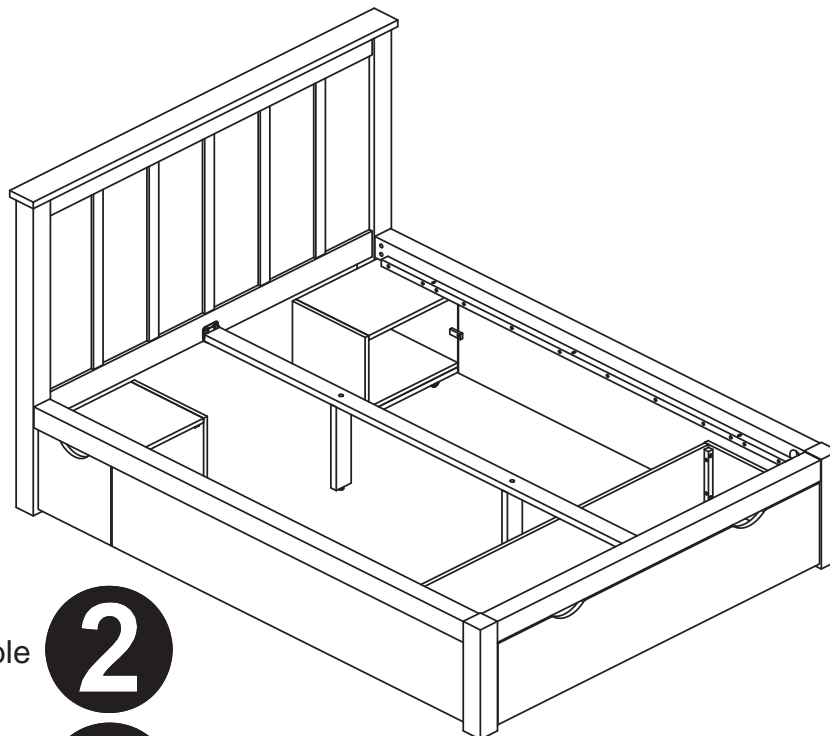


HAMPSTEAD BED

KING

235-00029 (Solid slats)
235-00030 (Sprung slats)

Assembly Instruction



Minimum No.of people recommended to assemble this product

2

Approx assembly time

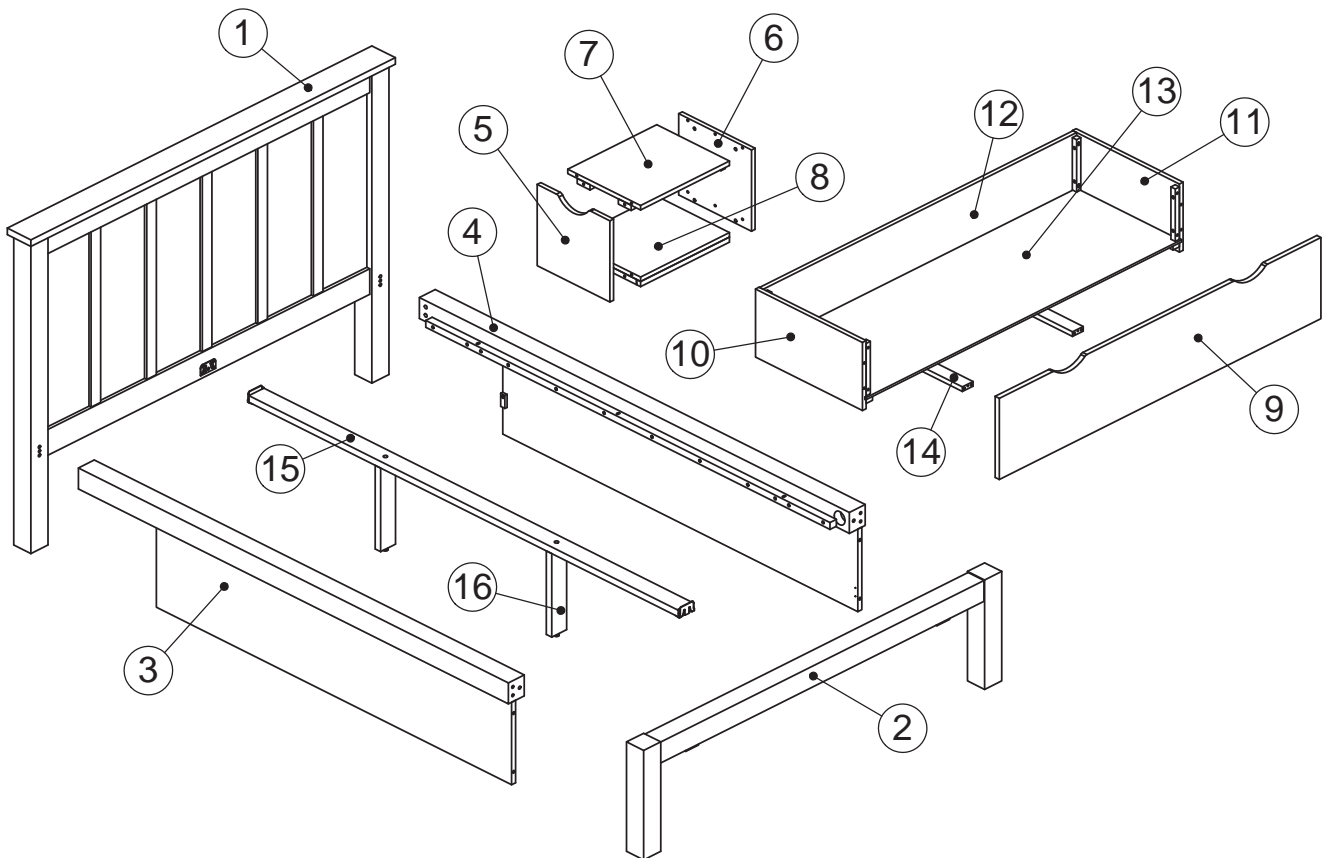
1 1/2
hours

Before you start, here is some helpful advice

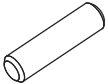
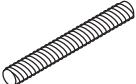
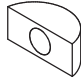

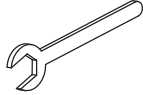


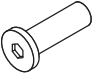
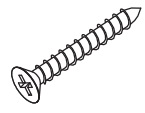



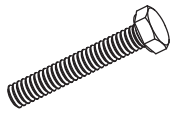

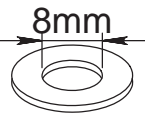
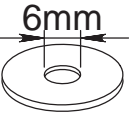
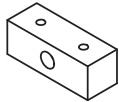
1. We suggest you spend a short time reading through this leaflet and then follow the simple step by step instructions.
2. If you follow the instructions carefully the end result should be worth the effort.
3. Do not discard any of the packaging until you have checked that you have all the parts and the pack of fittings.
4. To ensure an easier assembly, we strongly advise that all fittings are only finger tightened during initial assembly. Only upon completion of the. Assembly should all fixing points be fully tightened.
5. We recommend a periodic check on all fixing points to make sure they remain fully tightened.
6. Keep glue and fittings out of children's reach.
7. In the unlikely event that this product has missing or damaged parts, please call 0844 292 0000 to obtain spares

CHECK LIST

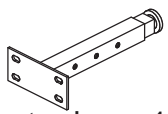
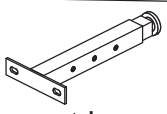


Part number	Artical number	Quantity	Measure Dimention (mm)	Quantity	✓
1	32431944	1	1704x1210x110		
2	32432044	1	1674x418x80		
3	32432144	1	2020x395x104		
4	32432244	1	2020x395x104		
5	32432344	2	340x310x17		
6	32432444	2	340x310x17		
7	32432544	2	416x340x17		
8	32432644	2	416x340x37		
9	32432744	1	1504x310x19		
10	32432844	1	500x260x17		
11	32432944	1	500x260x17		
12	32433044	1	1465x260x17		
13	32433144	1	1475x481x8		
14	324332	2	481x50x17		
15	324333	1	2007x70x25		
16	324334	2	316x70x25		



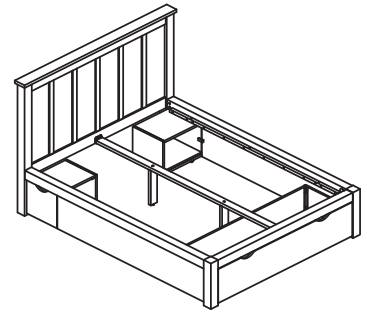
Fittings

<p>A</p>  <p>Ø10 x 40mm x 10pcs.</p>	<p>B</p>  <p>M8 x 65mm x 2pcs.</p>	<p>C</p>  <p>Ø35 x 2pcs.</p>
<p>D</p>  <p>M8 x 2pcs.</p>	<p>E</p>  <p>Spanner x 1pc.</p>	<p>F</p>  <p>Allen key 4mm x 2pcs.</p>
<p>G</p>  <p>M6 x 38mm x 6pcs.</p>	<p>H</p>  <p>M6 x 22mm x 4pcs.</p>	<p>I</p>  <p>Ø3.5 x 30mm x 16pcs.</p>
<p>J</p>  <p>M6 x 25mm x 24pcs.</p>	<p>K</p>  <p>12pcs.</p>	<p>L</p>  <p>Ø3.5 x 16mm x 24pcs.</p>
<p>M</p>  <p>M8 x 120mm x 4pcs.</p>	<p>N</p>  <p>Ø12 x 15mm x 4pcs.</p>	<p>O</p>  <p>M8 x 8pcs. (BIG)</p>
<p>P</p>  <p>M6 x 6pcs. (SMALL)</p>	<p>Q</p>  <p>60x22x22mm x 2pcs.</p>	

Note: The following fittings will be found in the box which contains the Sprung Frame, NOT with the bed frames Assembly Kit.
PLEASE DO NOT USE THE FOLLOWING HARDWARE FOR THIS BED!

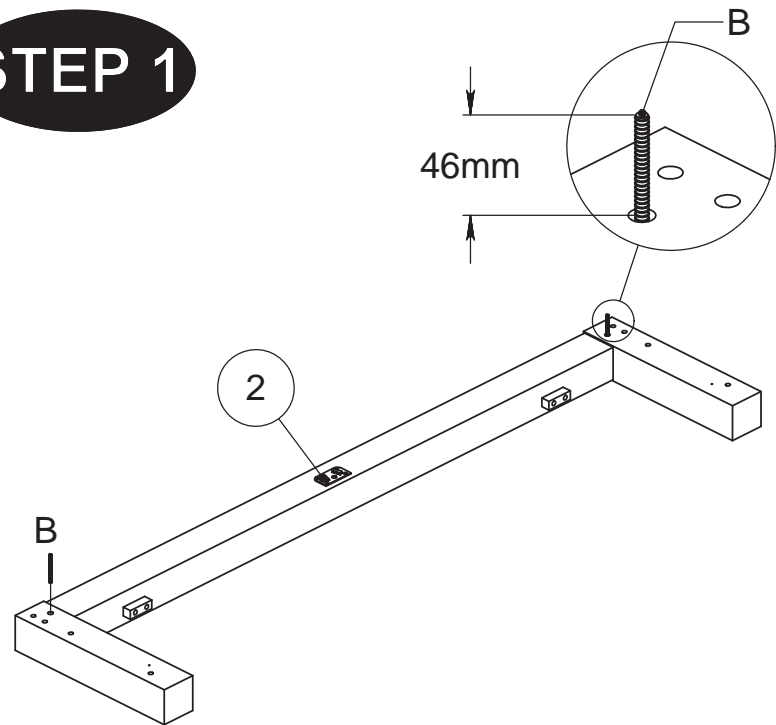
<p>R</p>  <p>Center leg x 1pc.</p>	<p>S</p>  <p>Support leg x 2pcs.</p>	<p>T</p>  <p>M6 x 12mm x 8pcs.</p>
<p>F</p>  <p>Allen key 4mm x 1pc.</p>		

Assembly



Insert cam bolts "B" into the footboard "2" by hand.

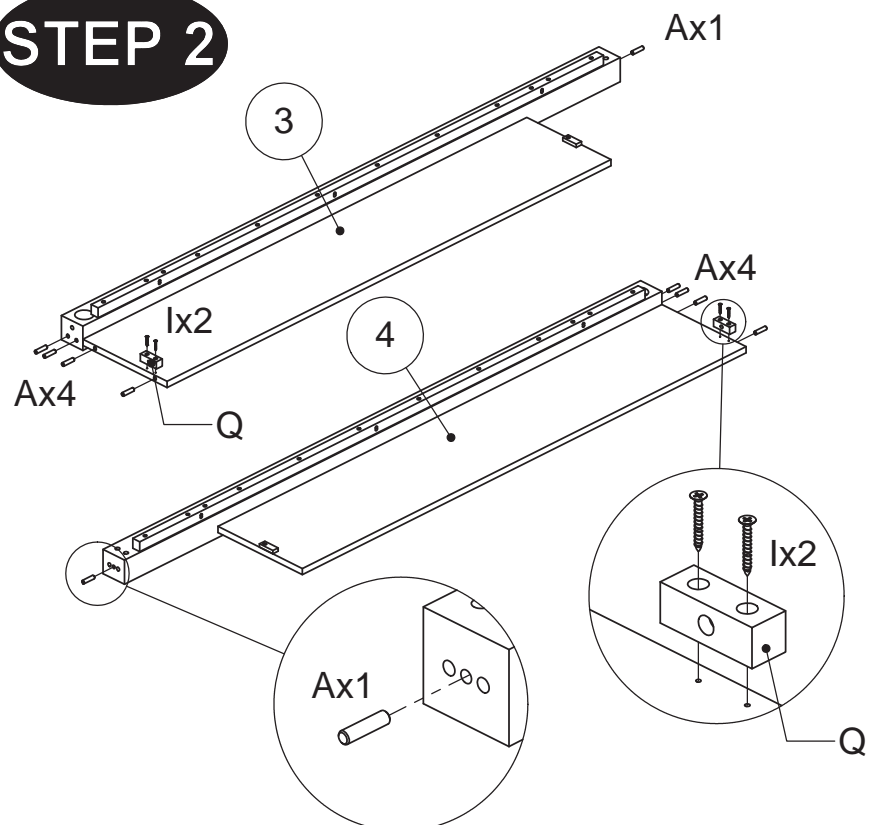
STEP 1



Insert dowels "A" into the side rails "3" and "4".

Attach wooden blocks "Q" to side rails "3" and "4", insert screws "I" into wooden blocks "Q", tighten with a screwdriver.

STEP 2



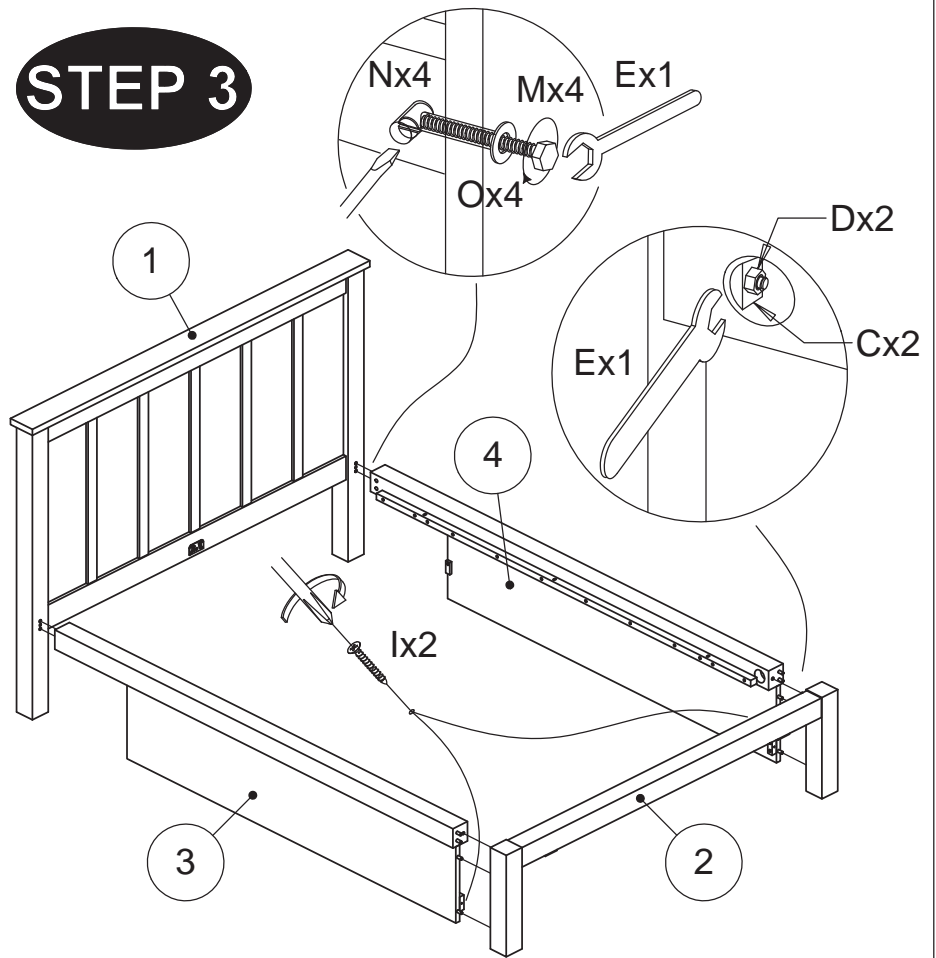
Fix the side rails "3" and "4" to the headboard "1" and footboard "2".

For the footboard, use washers "C" and nuts "D" to secure side rails "3" and "4". Tighten using spanner "E".

Insert screws "I" into wooden blocks "Q", tighten with a screwdriver.

For the headboard, use bolts "M" and washers "O" through the headboard and nuts "N" in the side rails. Tighten using spanner "E".

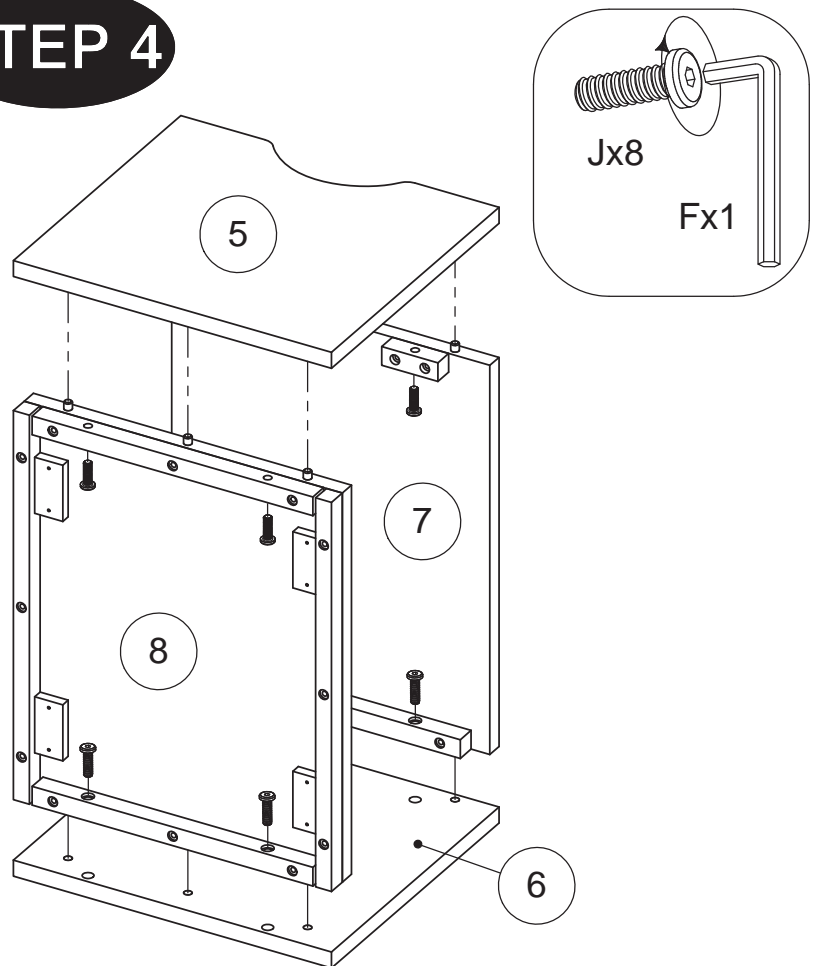
STEP 3



Bedside Tables x 2

Attach front and back panels "5" and "6", to top and bottom panels "7" and "8" using bolts "J". Tighten using allen key "F".

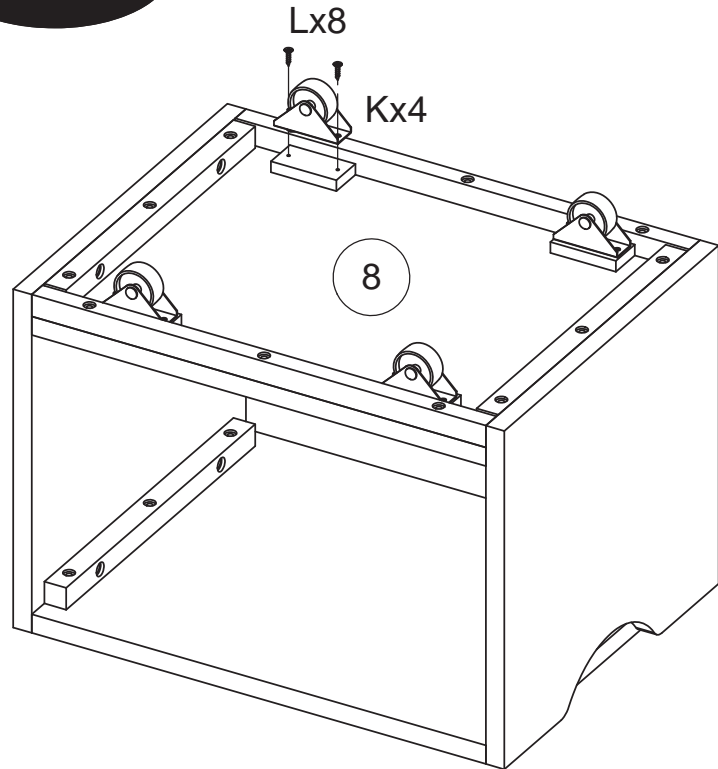
STEP 4



Install castors "K" to panel "8", tighten with screws "L".

STEP 5

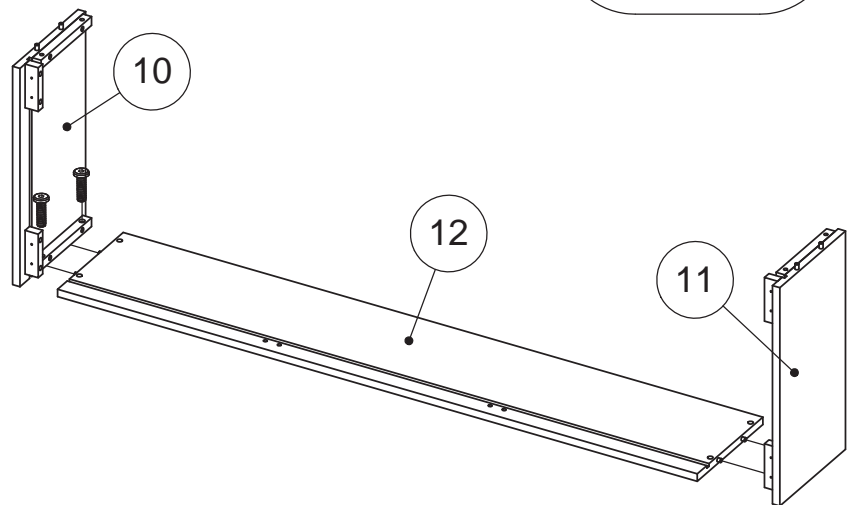
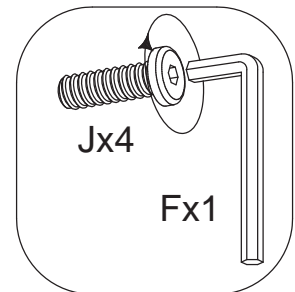
x2



Footboard Drawer

Attach side panels "10" and "11" to back panel "12" using bolts "J". Tighten using allen key "F".

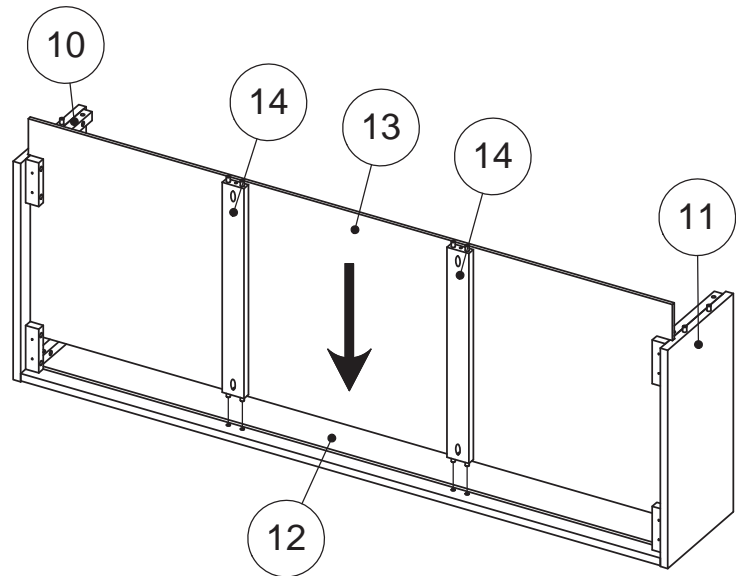
STEP 6



Slide in panel "13" along the groove into the drawer frame.

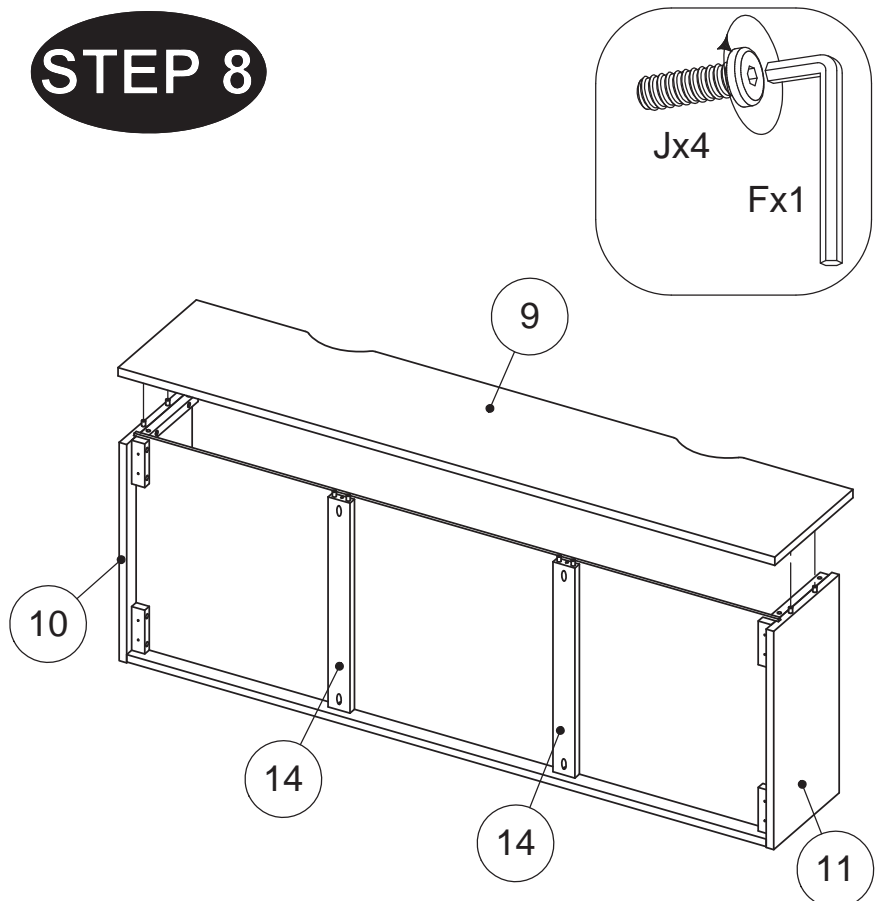
Locate supports "14" into back panel "12".

STEP 7



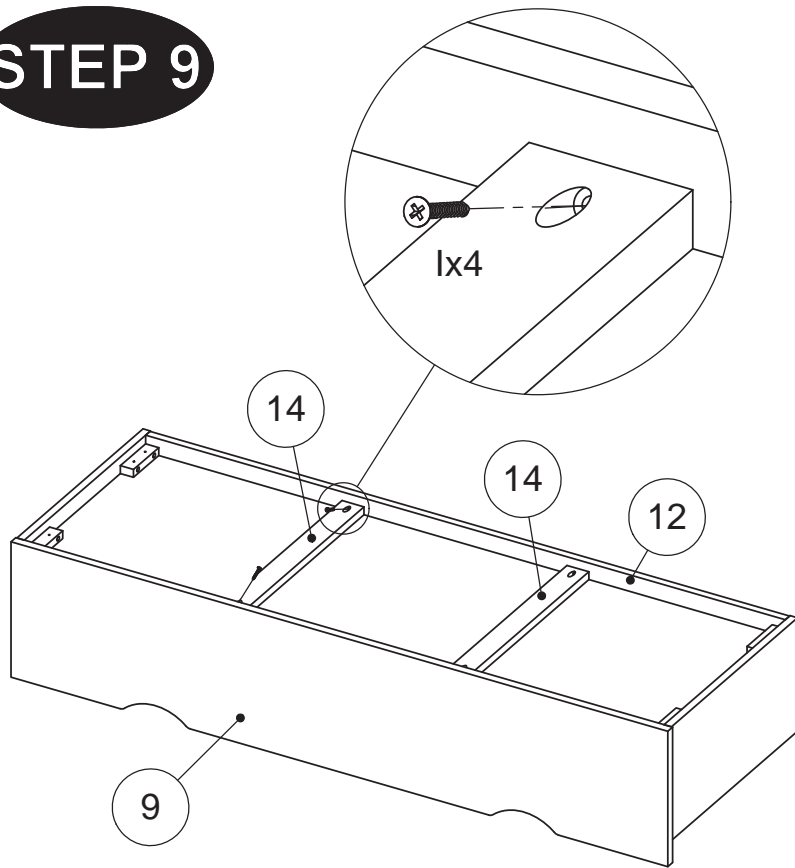
Attach front panel "9" and secure to side panels "10" and "11" using bolts "J". Tighten using allen key "F".

STEP 8



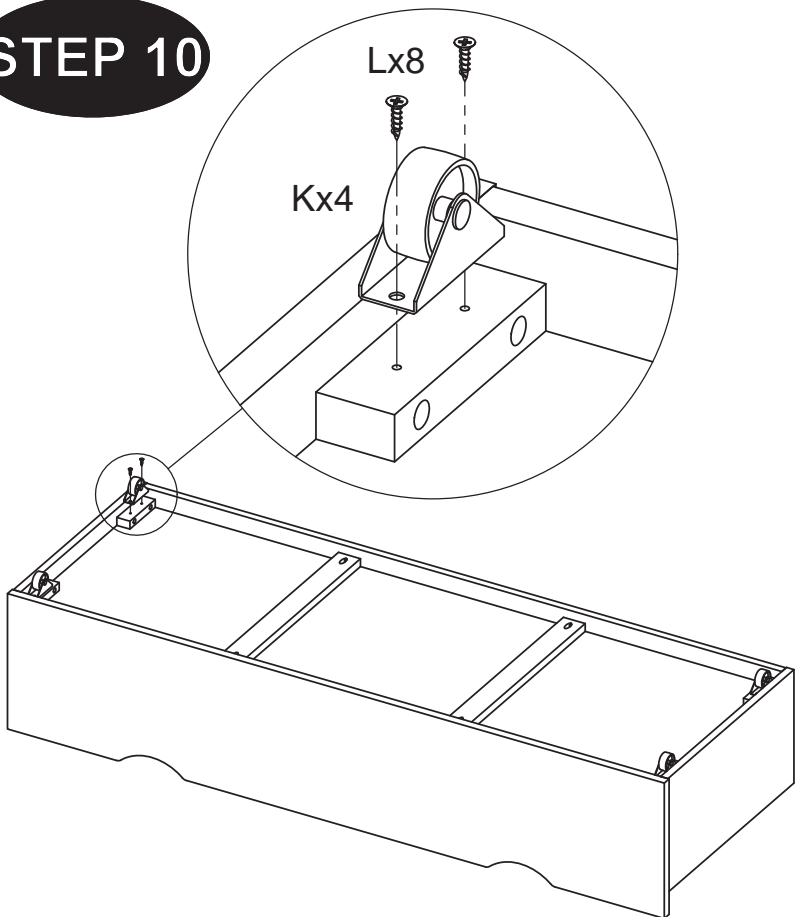
Secure supports "14" to front panel "9" and back panel "12" using screws "I".

STEP 9



Install castors "K" to body of drawer, tighten with screws "L".

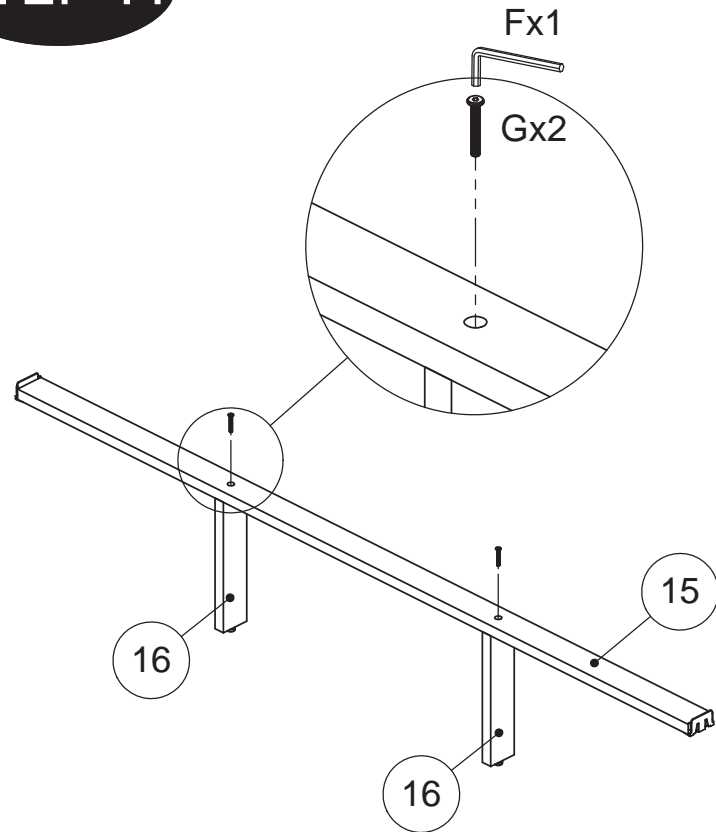
STEP 10



Attach central support "15"
to support feet "16".

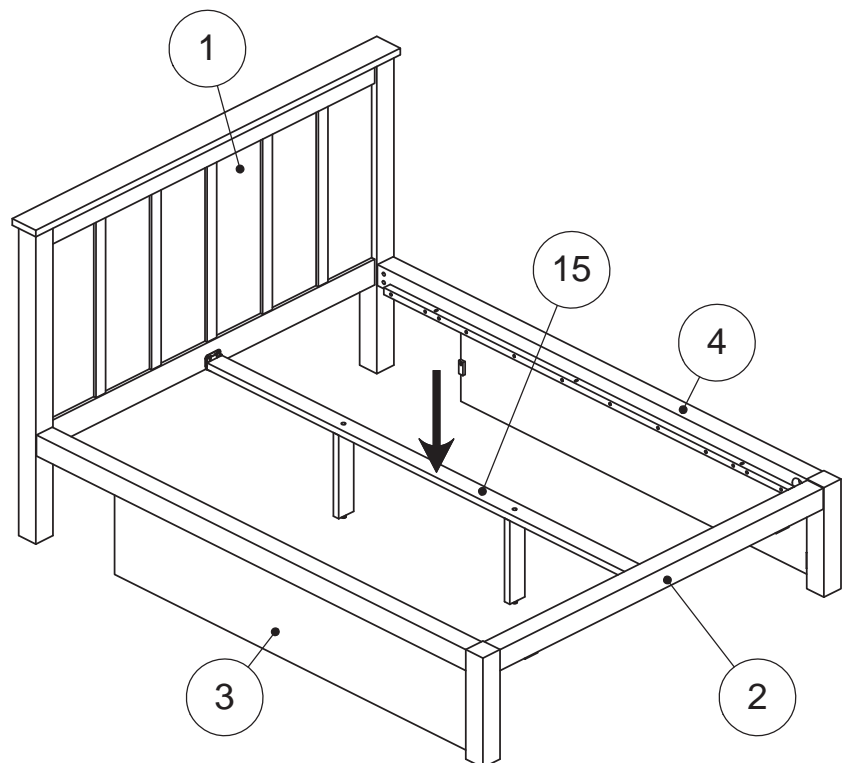
Using bolts "G", tighten
using allen key "F".

STEP 11



Locate central support "15"
in between the headboard "1"
and footboard "2".

STEP 12



IMPORTANT

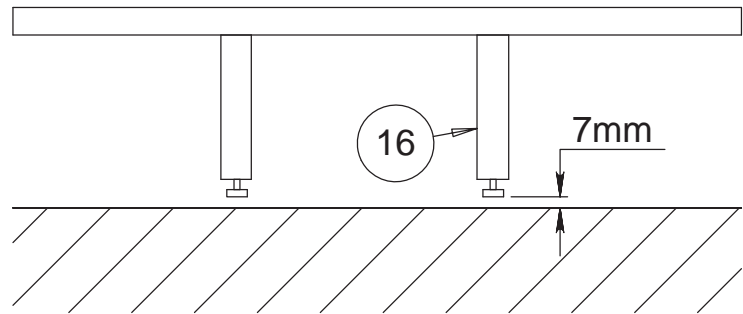
Once the feet have been assembled and attached, they should be adjusted to ensure they do not touch the floor, (7mm above the floor) to allow for movement once the mattress is placed on the bed frame.

It is important to note that when moving the bed that it is not dragged into its new position to prevent the possibility of these feet being twisted or angled to one side, which could lead to the collapse of the centre of the bed.

To move the bed, remove the mattress and lift the bed into its new position to avoid damage.

Ensure the feet are at 90° to the floor before replacing the mattress.

STEP 13



Important Note: Your Bedstead comes supplied as standard with Solid Wood Slats, or upgrade available to Sprung Slat System at point of purchase at an additional cost.

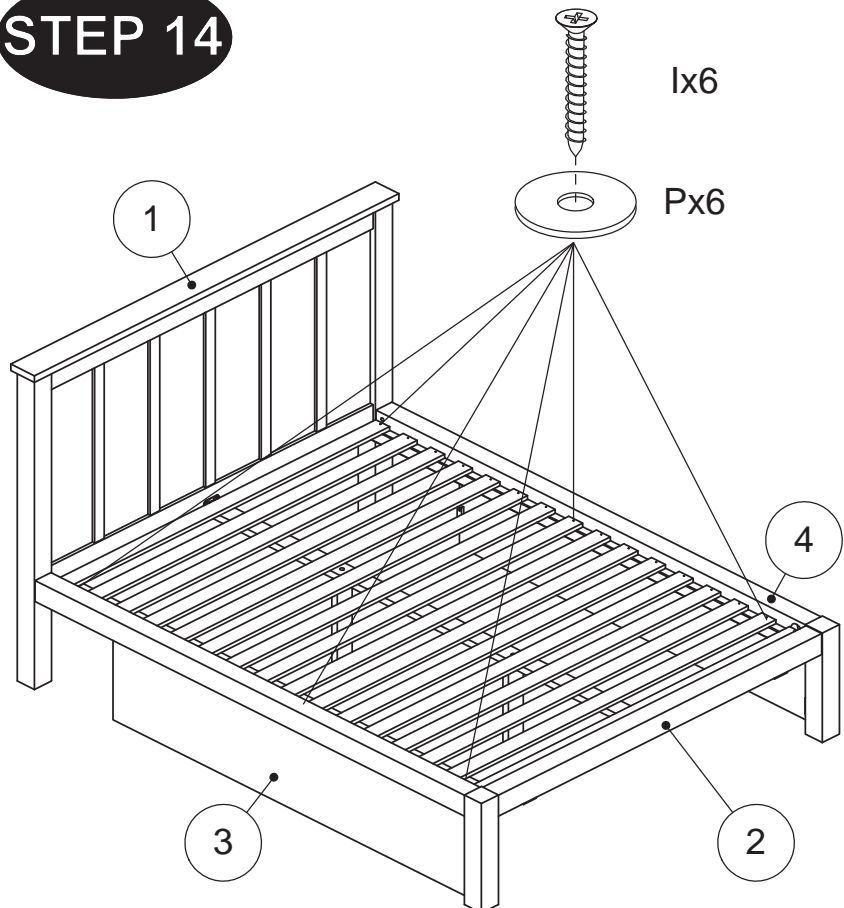
Please carefully follow the correct assembly instructions for the slat system that you have purchased.

Option 1: Dreams solid slats

Place the fixed wood slats onto the slat holders on side rails "3" and "4".

Fix the slats at both ends and the middle using screws "I" and washers "P", tighten with a screwdriver. total of six screws and washers.

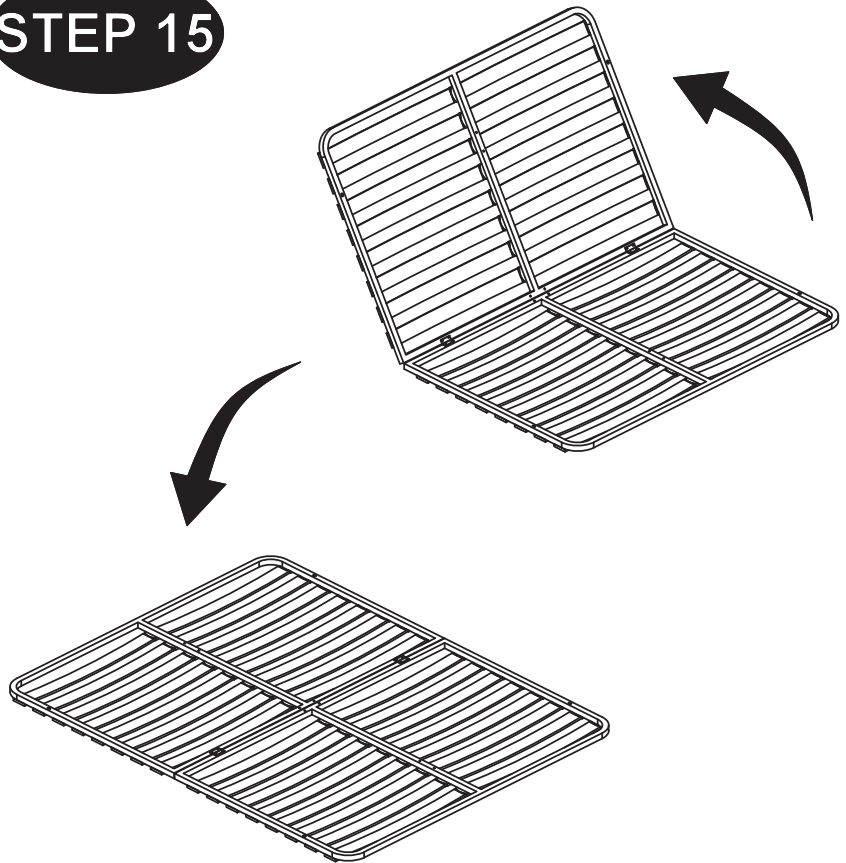
STEP 14



**Option 2:
Dreams sprung slat frame**

Open the metal slat frame outwards.

STEP 15



Turn the metal slat frame falling upward and carefully lower the slat frame into the bed.

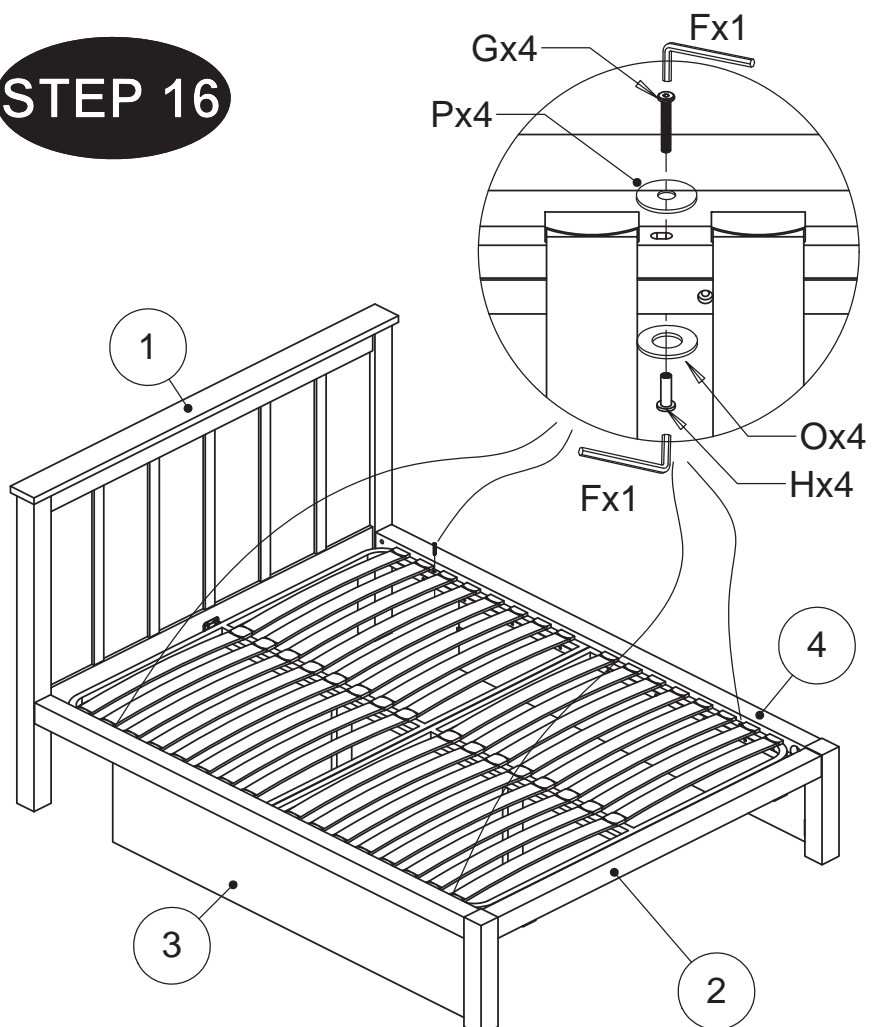
Ensure that the frame sits on the guides located on the side rails "3" and "4".

Position the slat frame so that the holes in the frame align with those in the side rails "3" and "4".

Secure the frame to the side rails "3" and "4" by threading bolts "G", washers "P" and through the holes in the frame and the side rails "3" and "4".

Finally, tighten the bolts "G" and washers "P" into the sleeve nuts "H" and washers "O" from the top of slat frame with allen keys "F".

STEP 16



Place the bedside tables and footboard drawer into the body of bed.

Rotate the block of side rails "3" and "4", in order to stop the bedside tables.

Need to lift the footboard "2", in order to put the footboard drawer.

Do not put any glasses/cups with liquids directly onto the wooden surface to avoid stains that cannot be removed. Please use a cover instead.

STEP 17

