







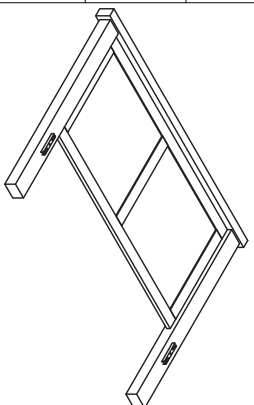


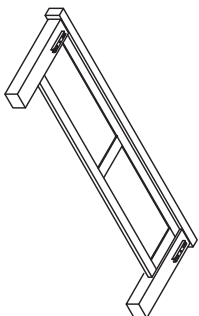
# ASSEMBLY INSTRUCTION

## EPPING DOUBLE/KING BEDSTEAD - G55-G56

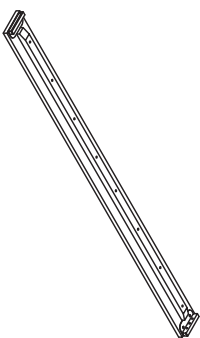
No	Name of Hardware	Q.ty
1	Bolts M6 x 10 	8
2	Allen Key(K5) 	1
3	Bolts M6 x 60 	4
4	Washers Ø7, Ø15x1,5 	4
5	Nut M6 	4
6	Screw M4 x 40 	6
7	Washers Ø5, Ø10x1 	6
8	Allen Key(K4) 	1



Ax1 - HEAD BED



Bx1 - FOOT BED



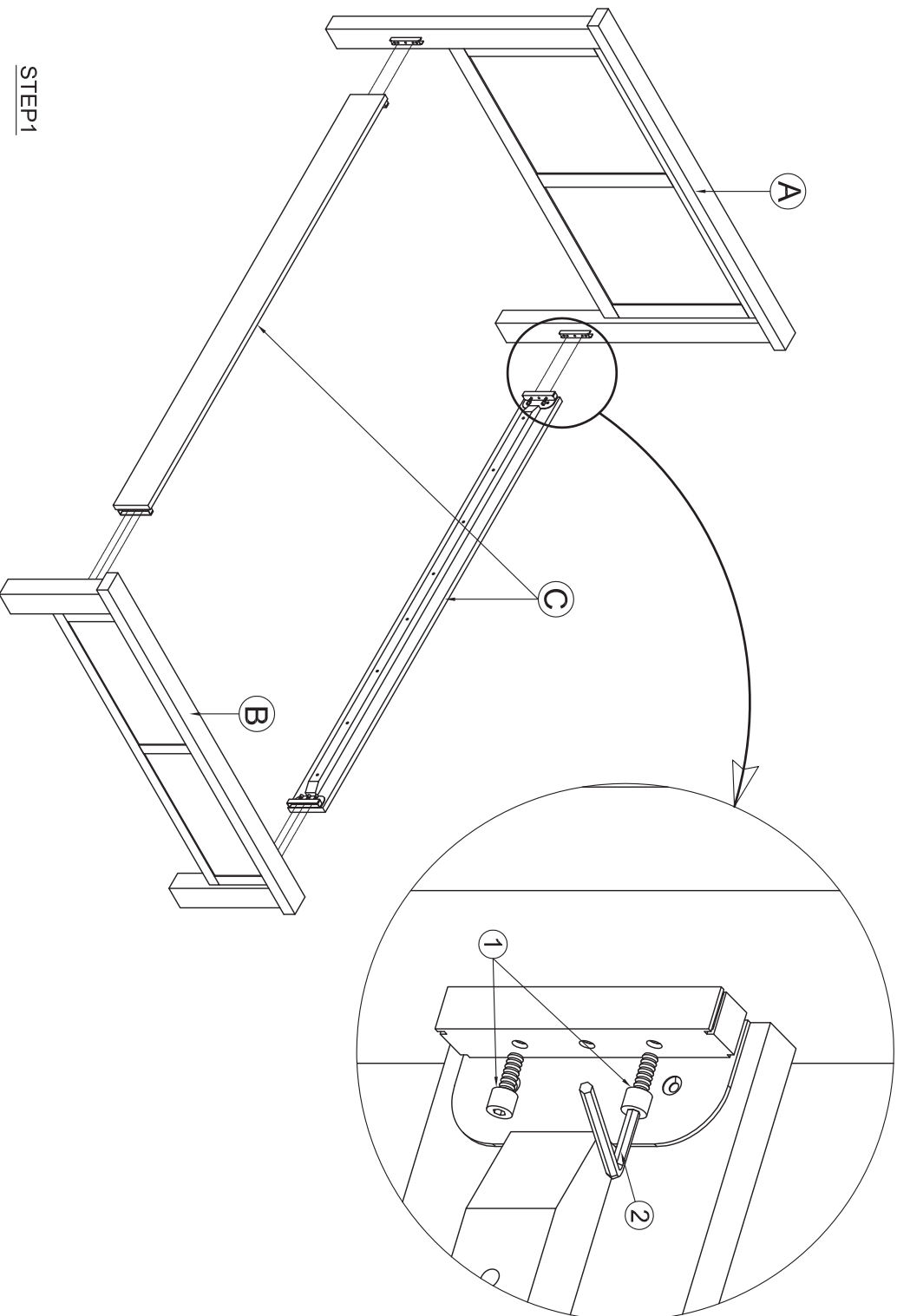
Cx2 - SIDE BED



Dx1 - SPRUNG SLAT

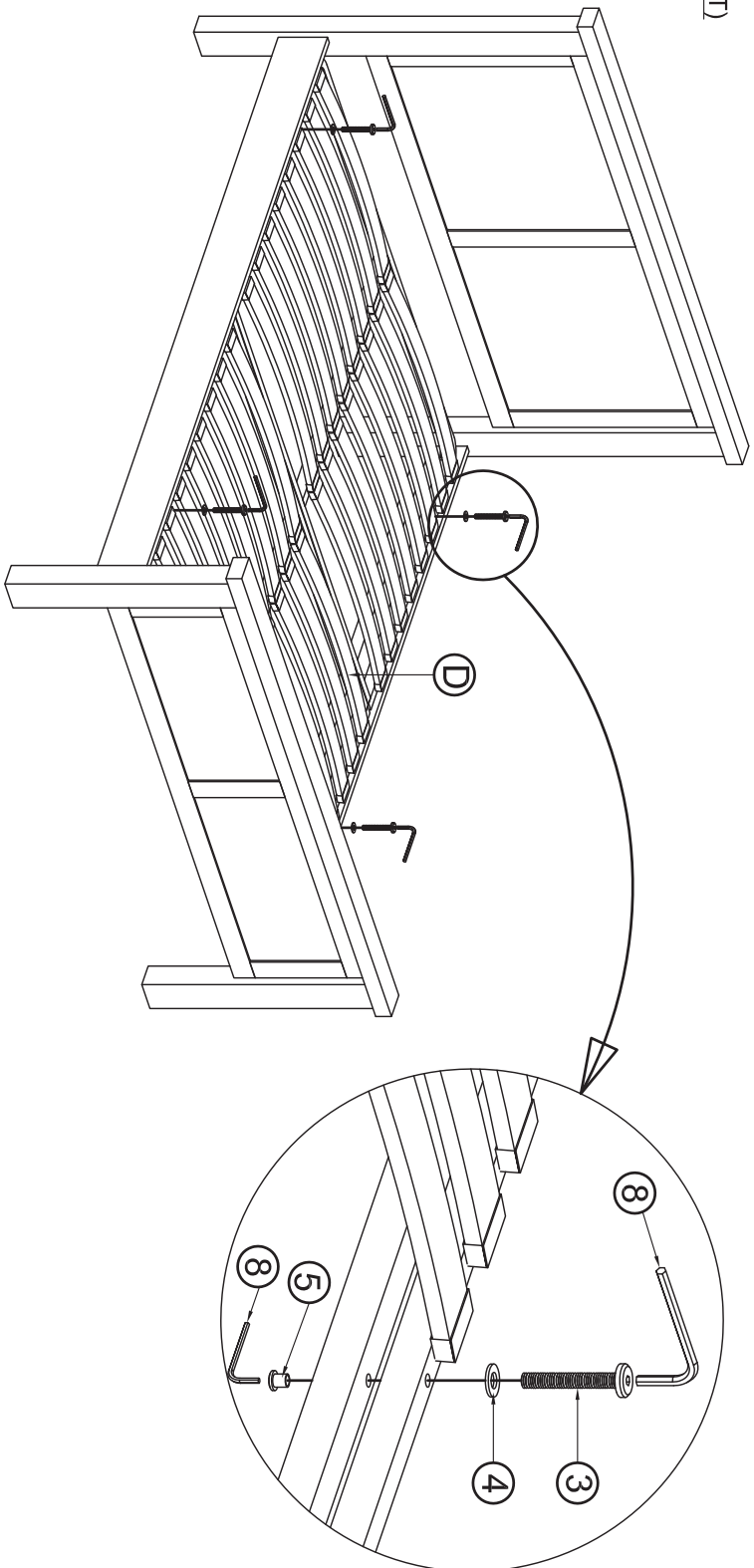


Ex1 - WOODEN SLAT



STEP1

STEP2 (SPRUNG SLAT)



STEP2 (WOODEN SLAT)

NOTE: Use self-tapping Screw to fix Slat to support rail.

