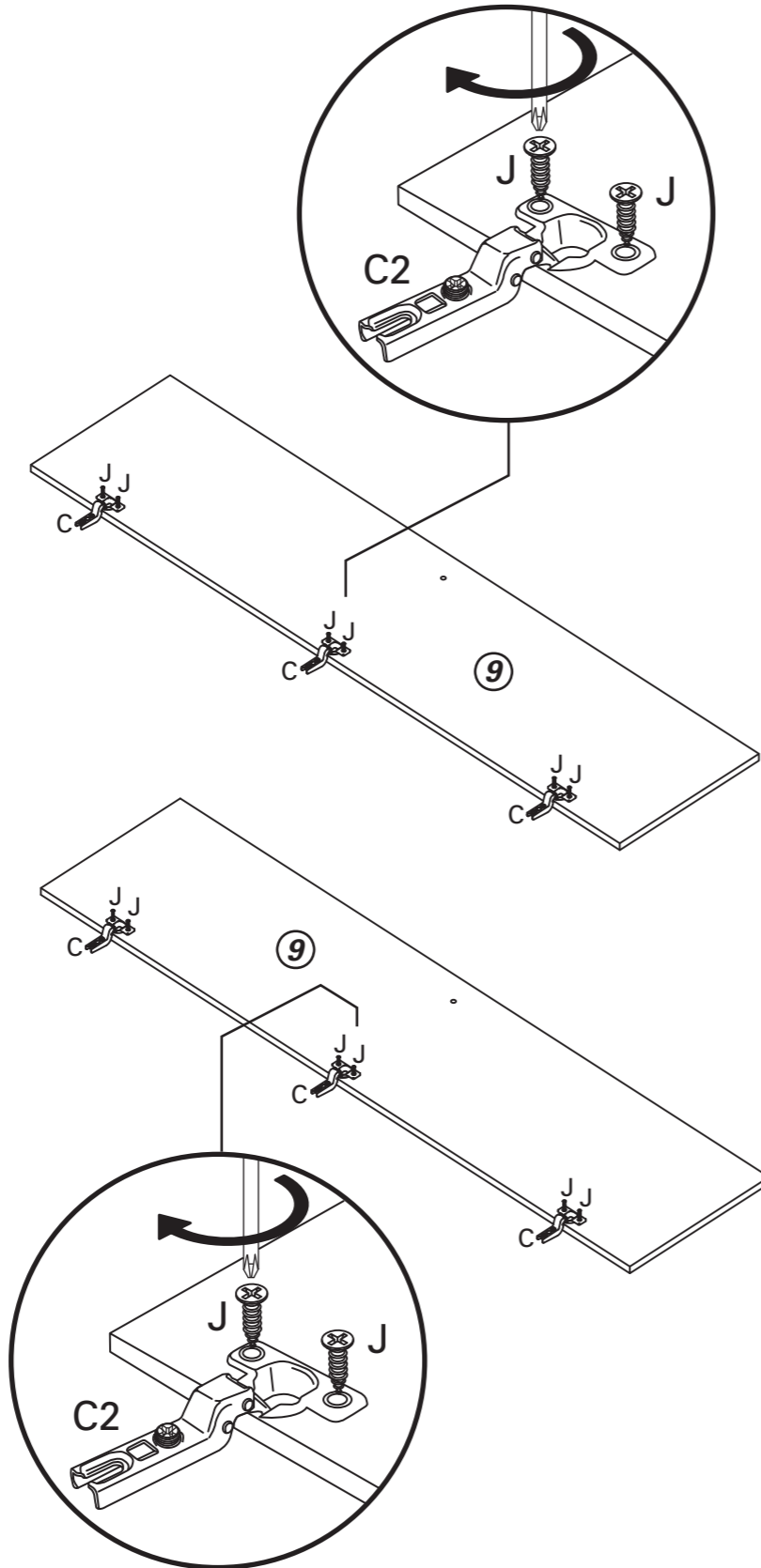


Attach fixing "C2 x 6" onto panel "9 x 2" using screws "J x 12" as shown.

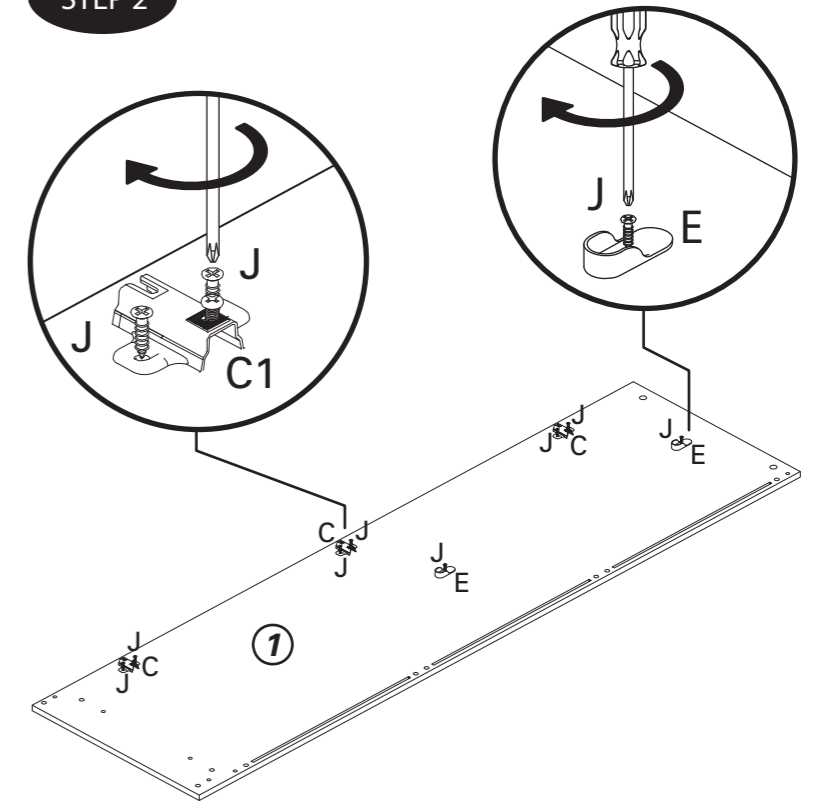
STEP 15



Attach fixing "C1 x 3" onto panel "1" using screws "J x 6".

Attach fixing "E x 2" onto panel "1" using screws "J x 2".

STEP 2

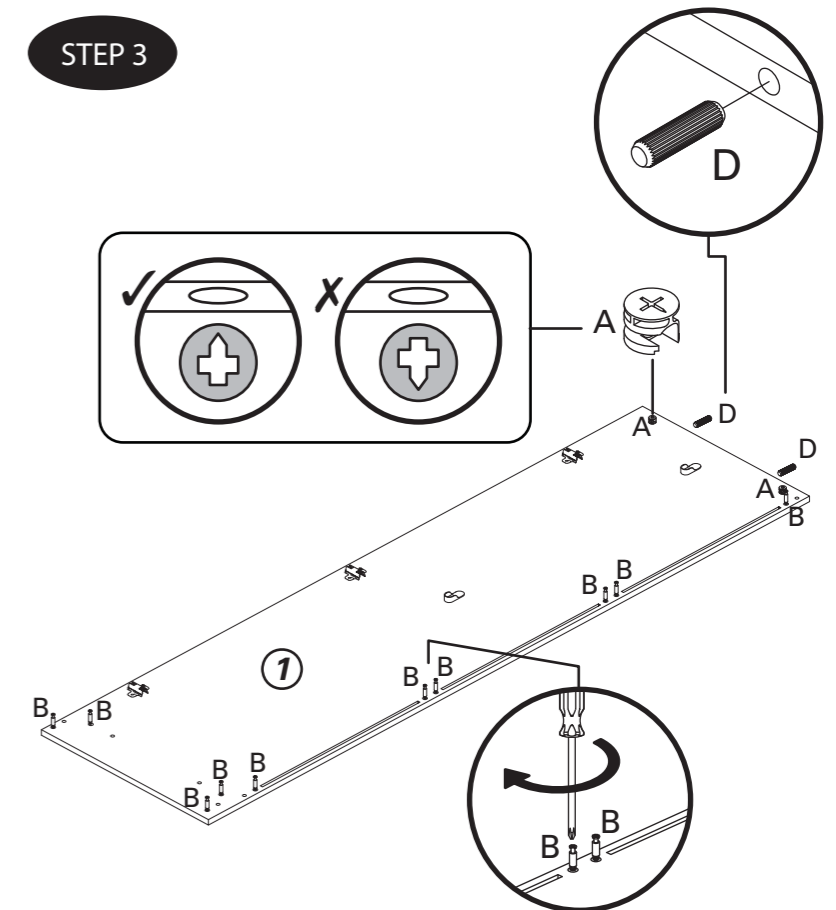


Insert camlocks "A x 2" into panel "1" by hand.

Screw cambolts "B x 10" onto panel "1".

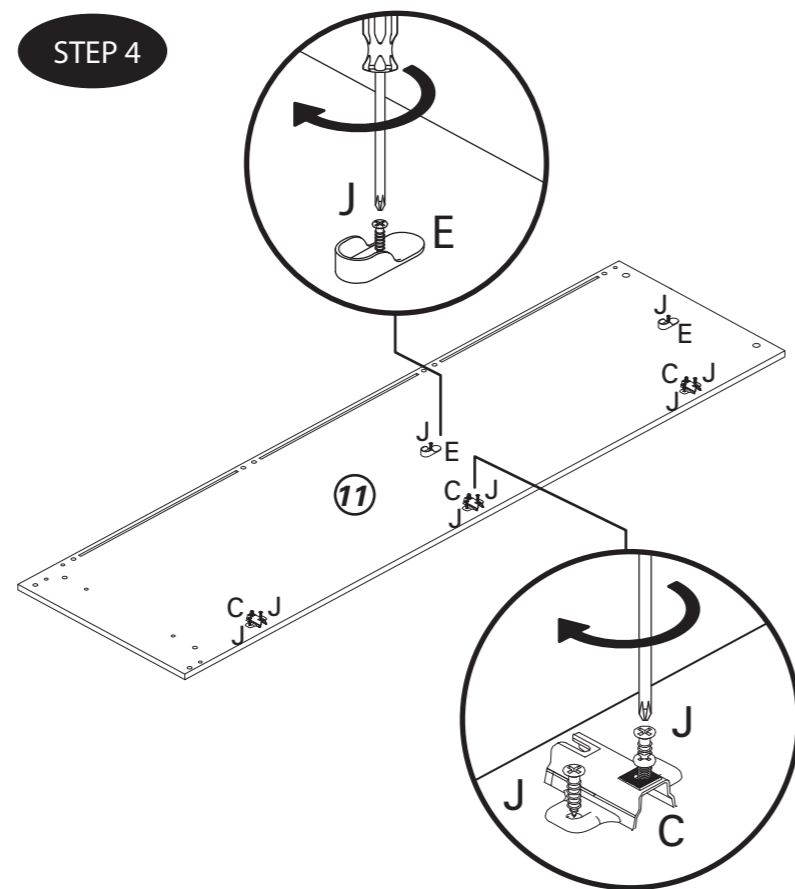
Insert dowels "D x 2" into panel "1".

STEP 3



Attach fixing "C1 x 3" onto panel "11" using screws "J x 6".

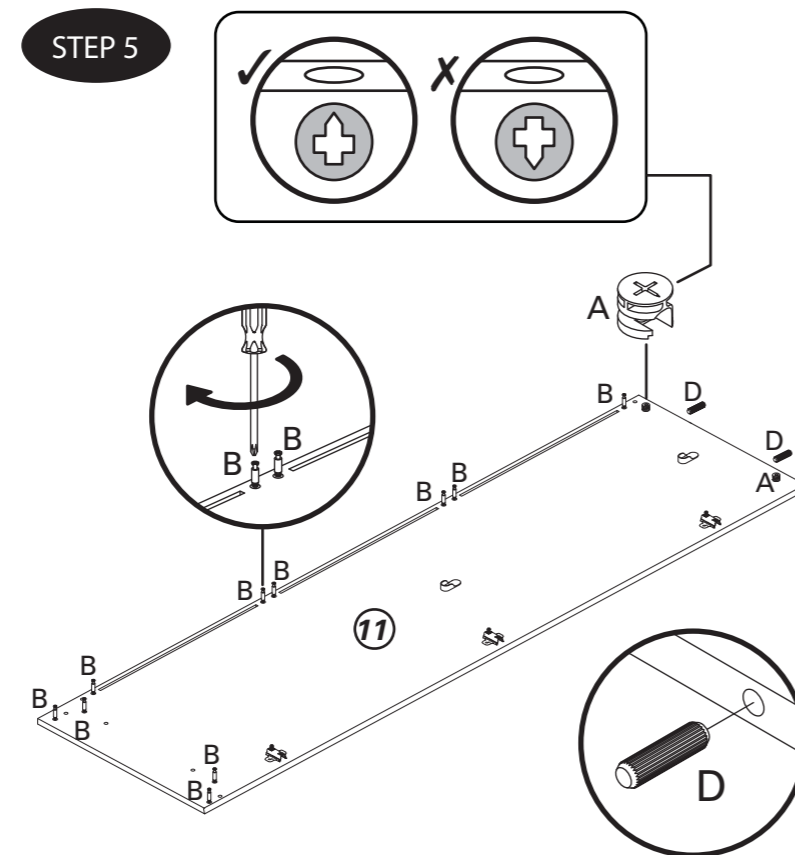
Attach fixing "E x 2" onto panel "11" using screws "J x 2".



Insert camlocks "A x 2" into panel "11" by hand.

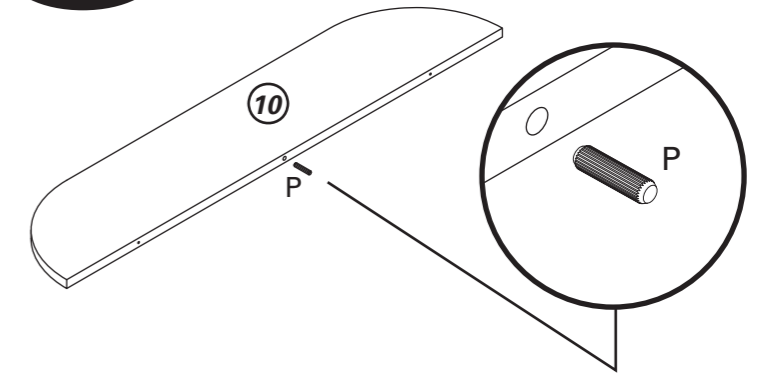
Screw cambolts "B x 10" onto panel "11".

Insert dowels "D x 2" into panel "11".



Insert dowel "P x 1" into panel "10".

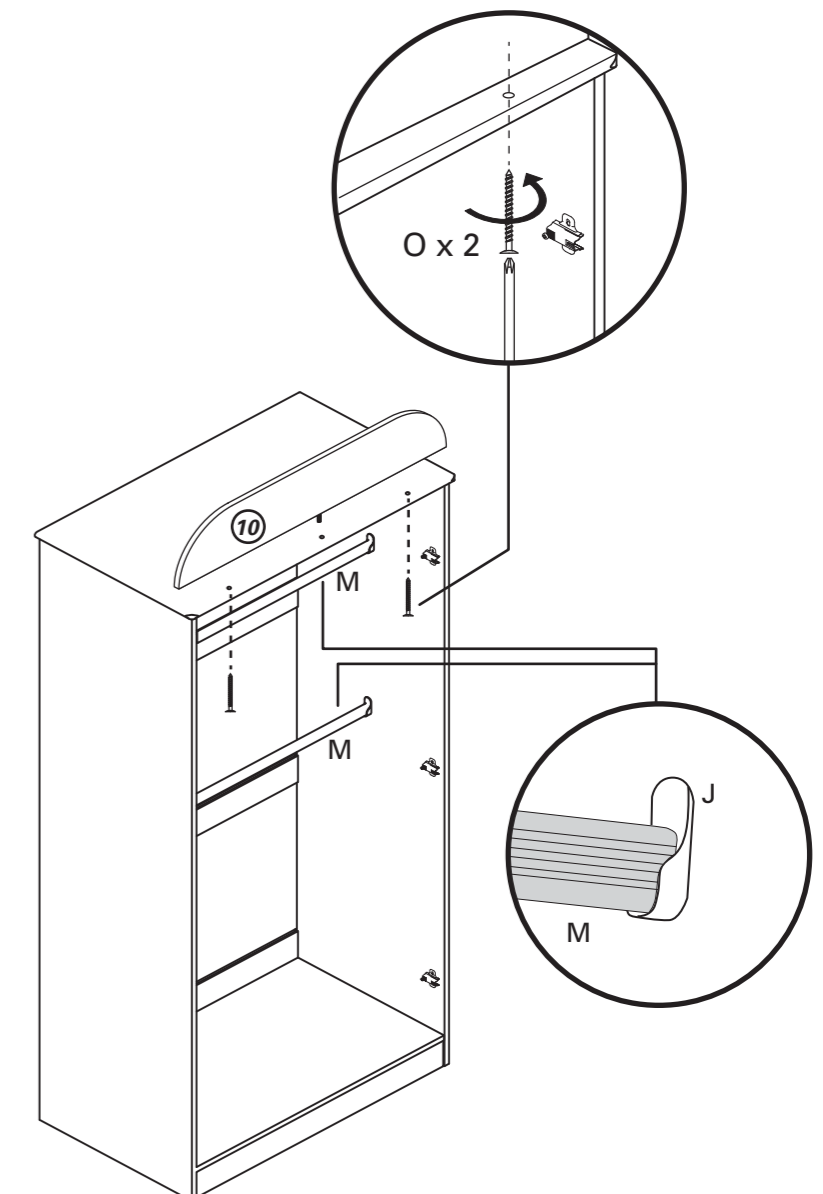
STEP 13



Attach panel "10 x 1" onto the top of the wardrobe using screws "O x 2".

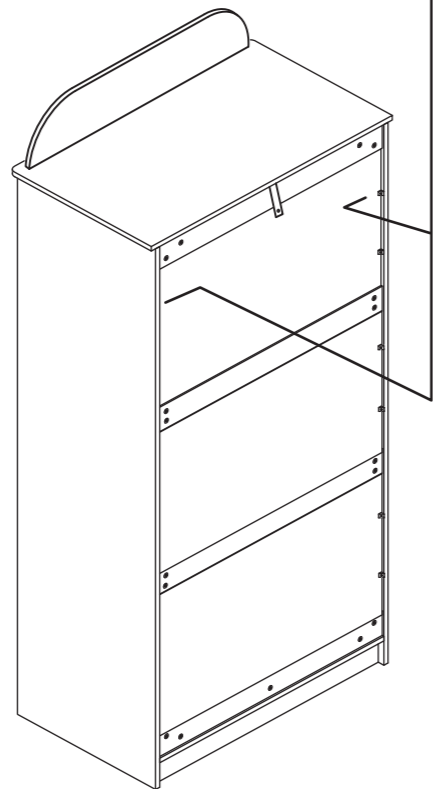
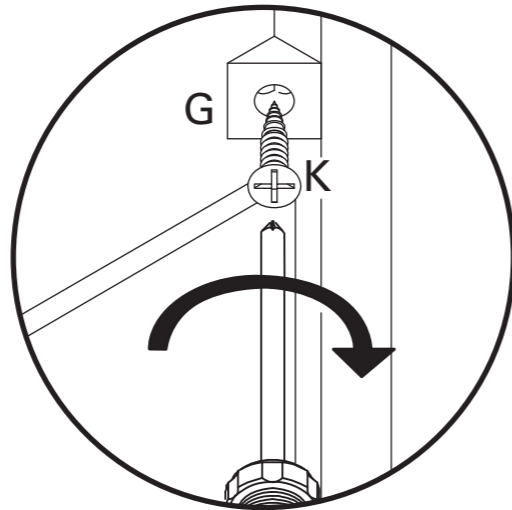
STEP 14

Slot the rails "M x 2" into fixings "J".

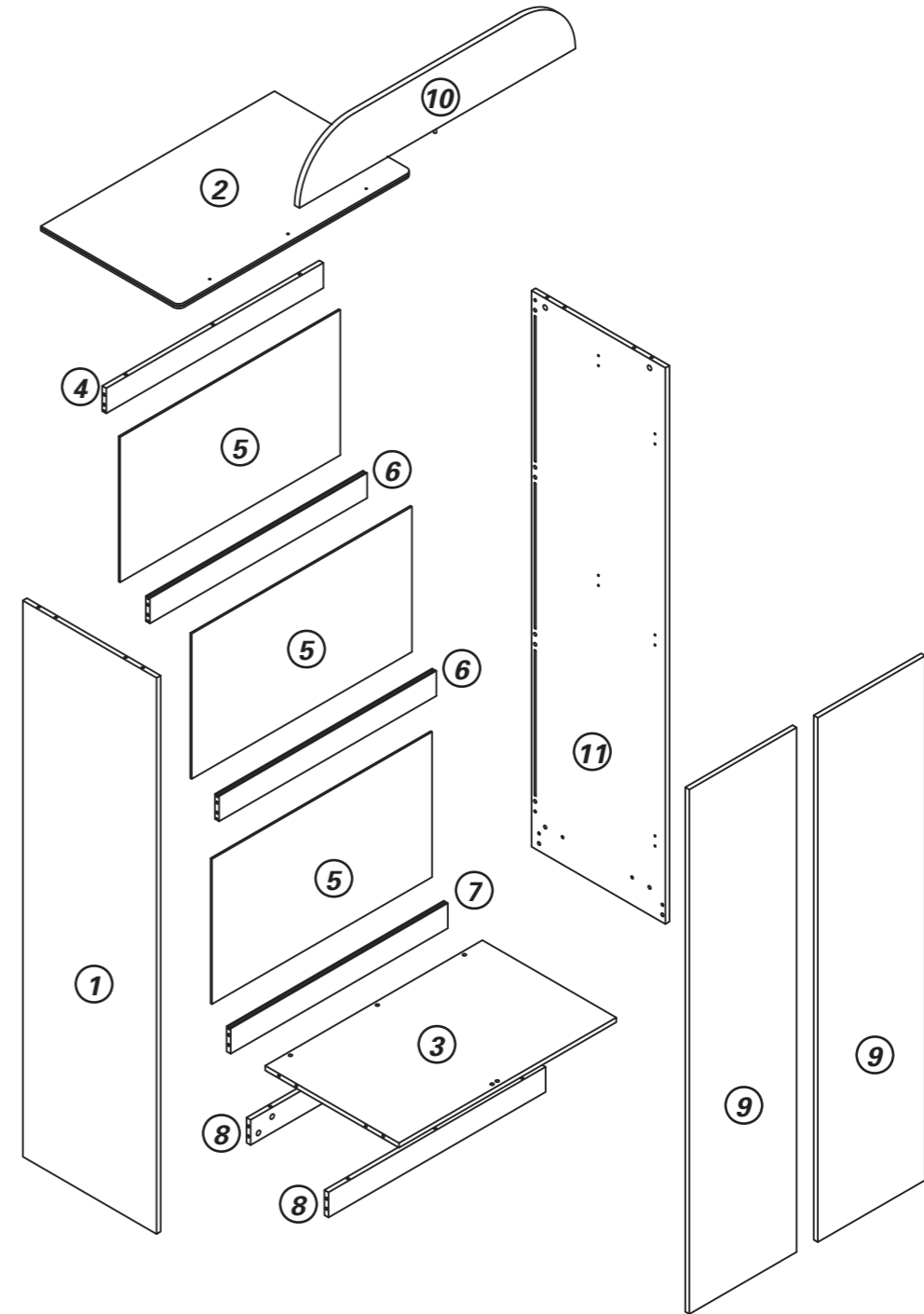


Slot moulding "G x 12" into the frame of the wardrobe, screw into place using screws "K x 12".

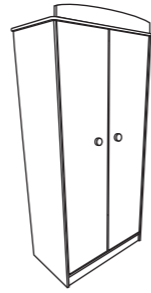
STEP 17



PARTS



Assembly

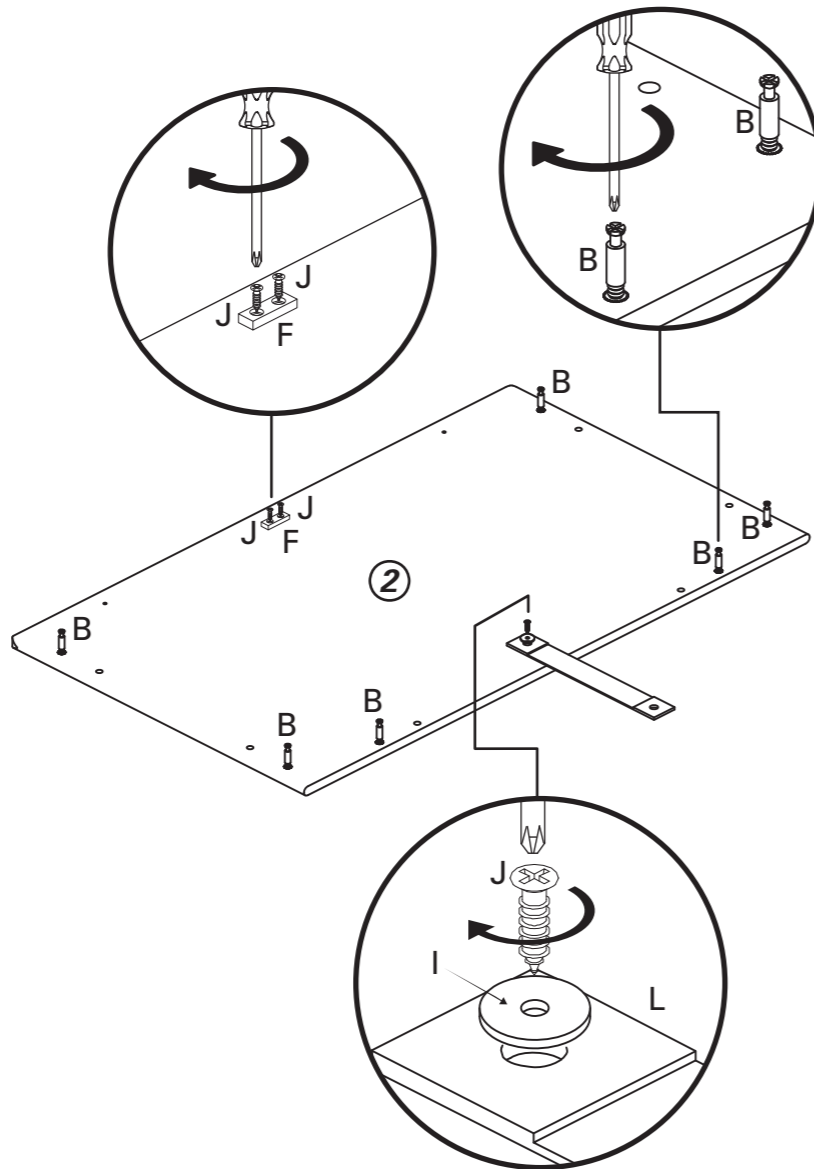


Screw cambolts "B x 6" in panel "2".

Attach Door stopper "F x 1" onto panel "2" using screws "J x 2".

Attach webbing strap "L x 1" onto panel "2" using washer "I x 1" and screw "J x 1".

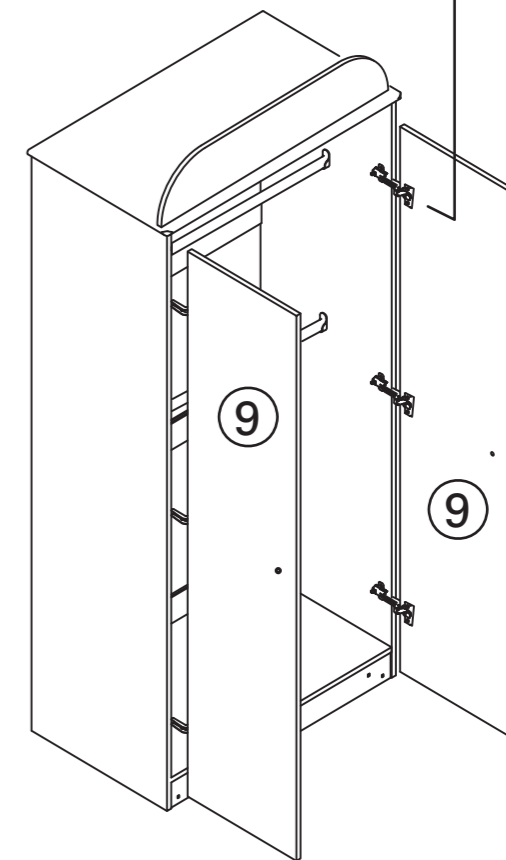
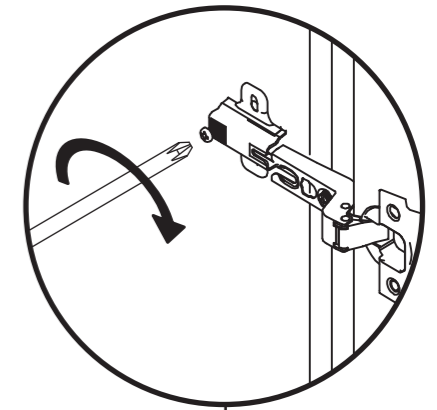
STEP 1



Fix the doors "9 x 2" to the wardrobe by slotting the fixings together and securing into place with the screw on fixing "C1".

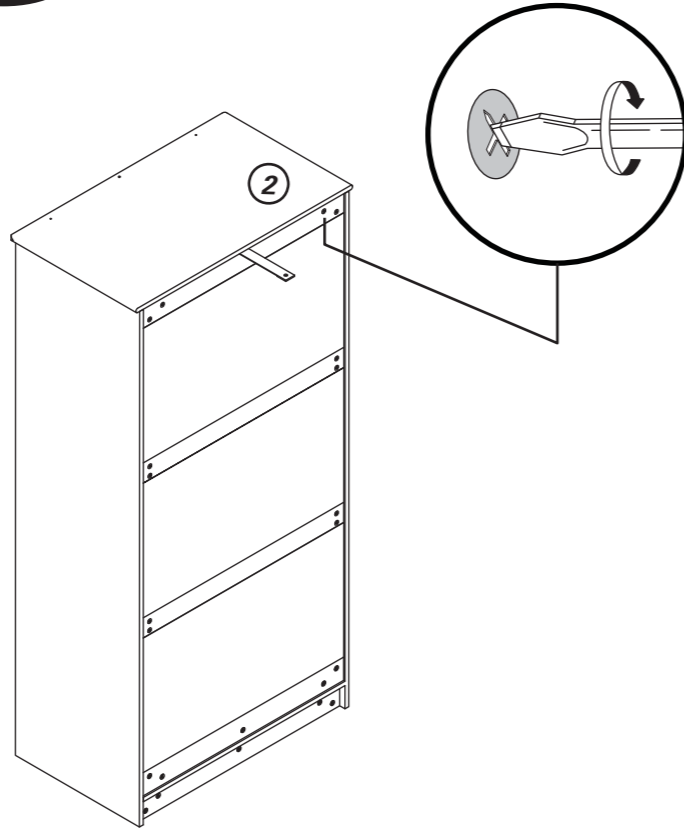
This process may require another person to help.

STEP 16



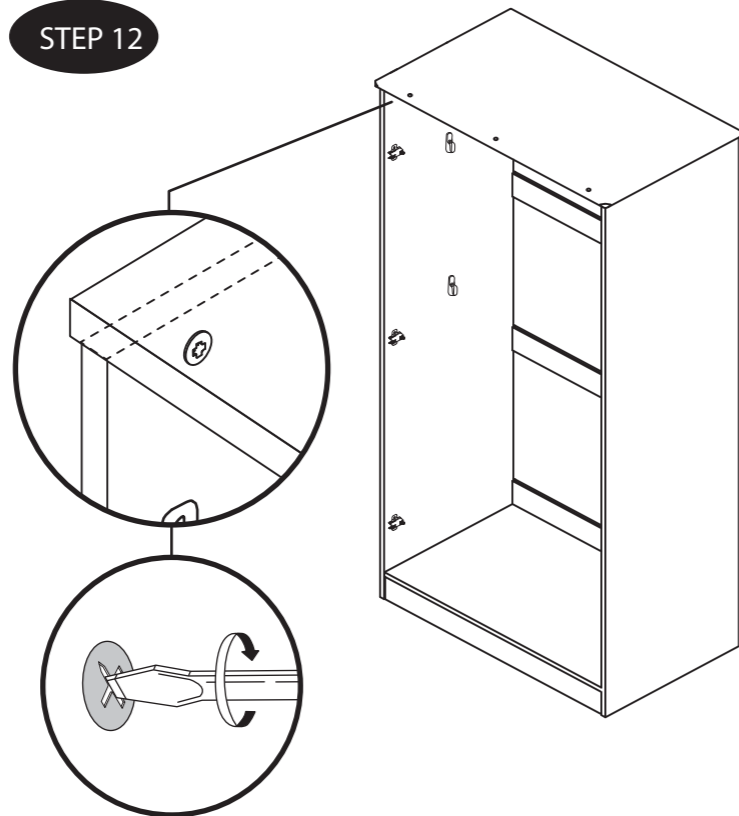
Place panel "2 x 1" onto wardrobe frame and lock into place at the rear as shown.

STEP 11



Ensure the internal camlocks have been locked as shown.

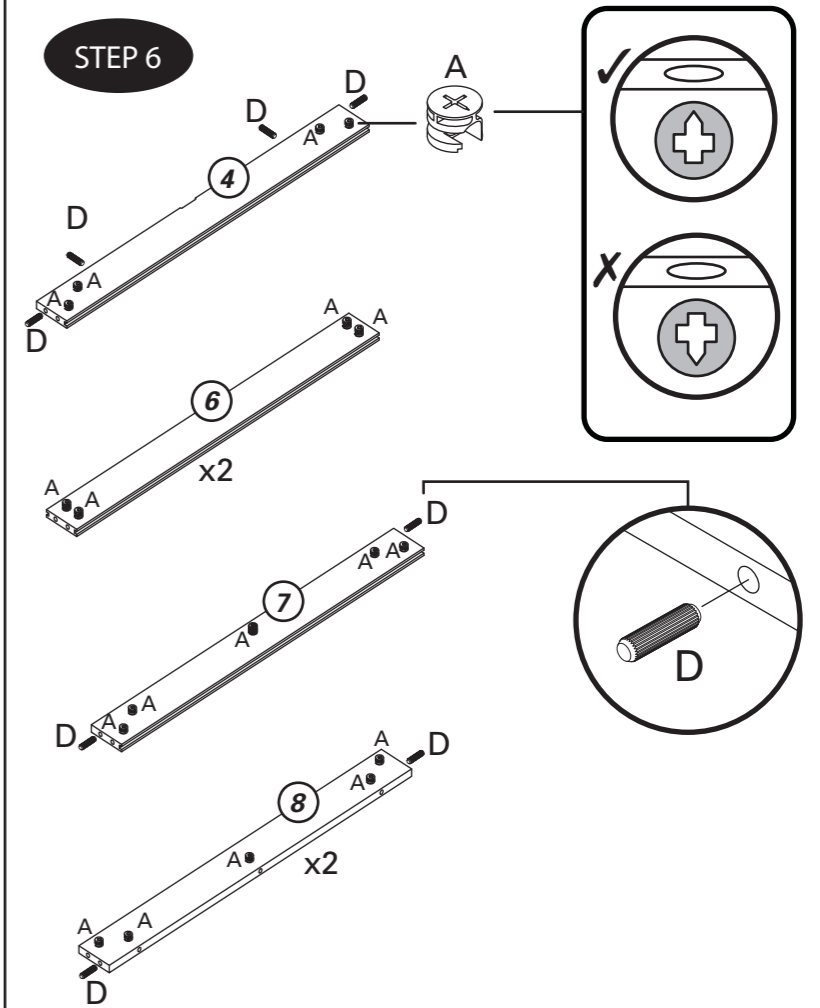
STEP 12



Insert camlocks "A x 18" into panels "4 / 6 / 7 & 8" by hand.

Insert dowels "D x 8" into panels "4 / 6 / 7 & 8" by hand.

STEP 6

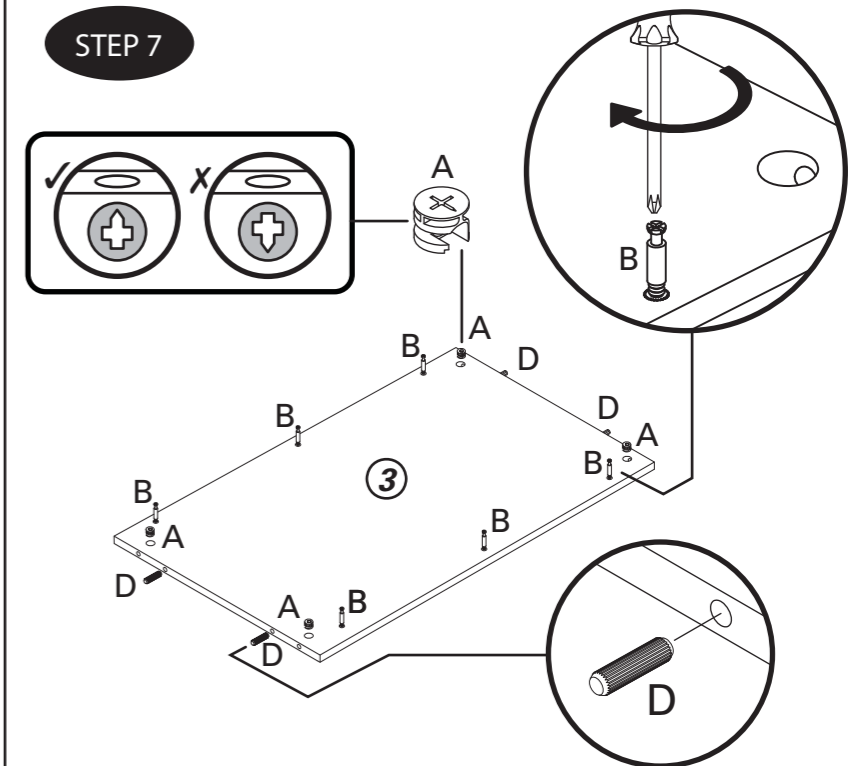


Screw cambolts "B x 6" onto panel "3".

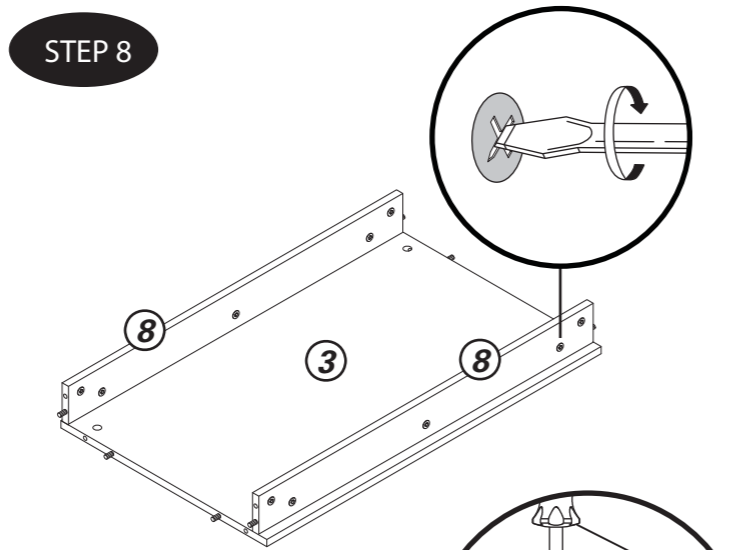
Insert dowel "D x 4" into panel "3" by hand.

Insert camlocks "A x 4" into panel "3" by hand.

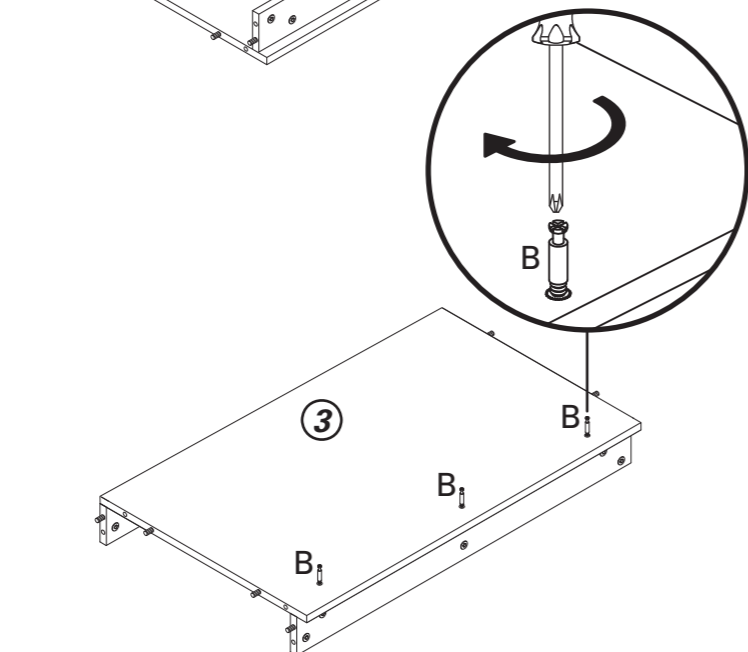
STEP 7



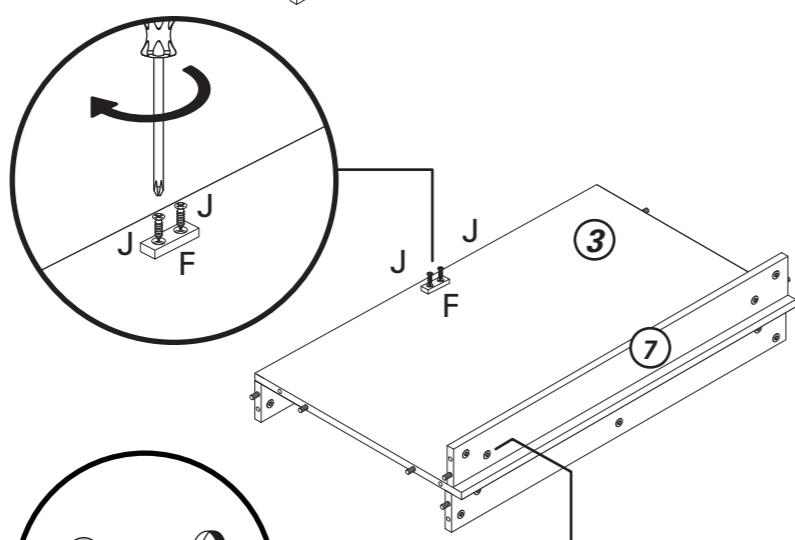
Place panels "8 x 2" onto panel "3" and lock into place as shown.



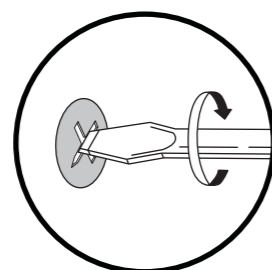
Turn panel "3" over and screw cambolts "B x 3" into the panel.



Attach door stopper "F x 1" onto panel "3". using screws "J x 2".

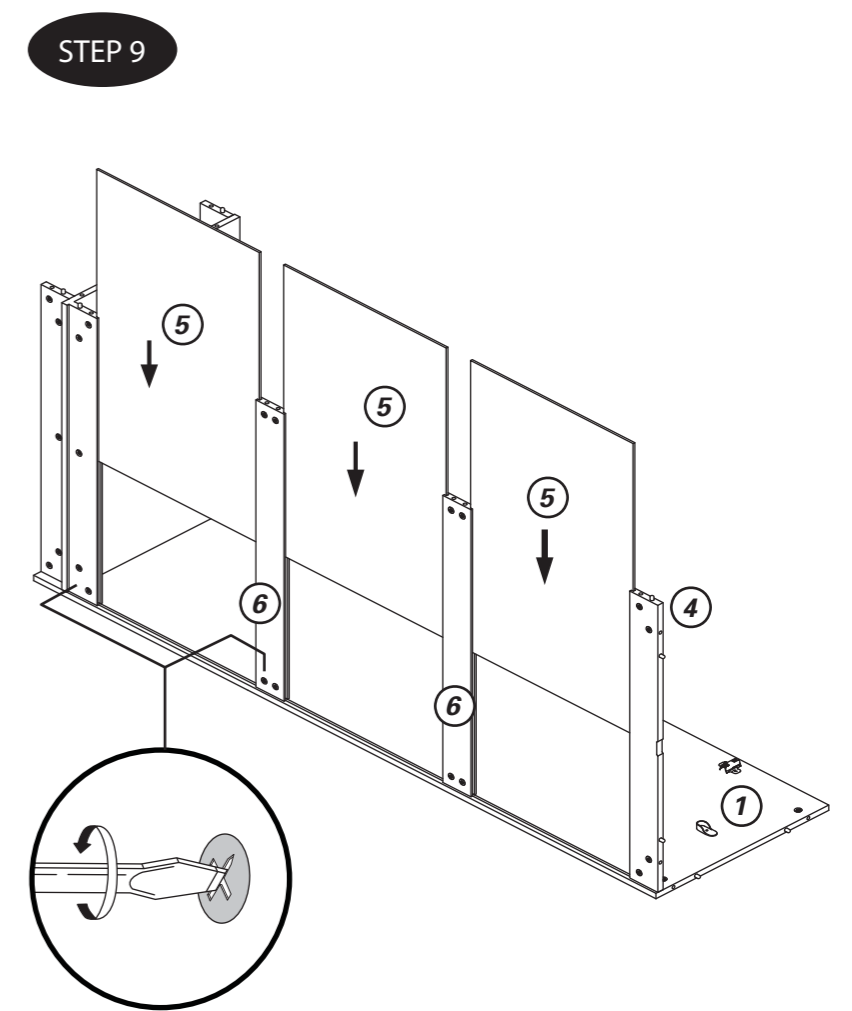


Place panels "7 x 1" onto panel "3" and lock into place as shown.

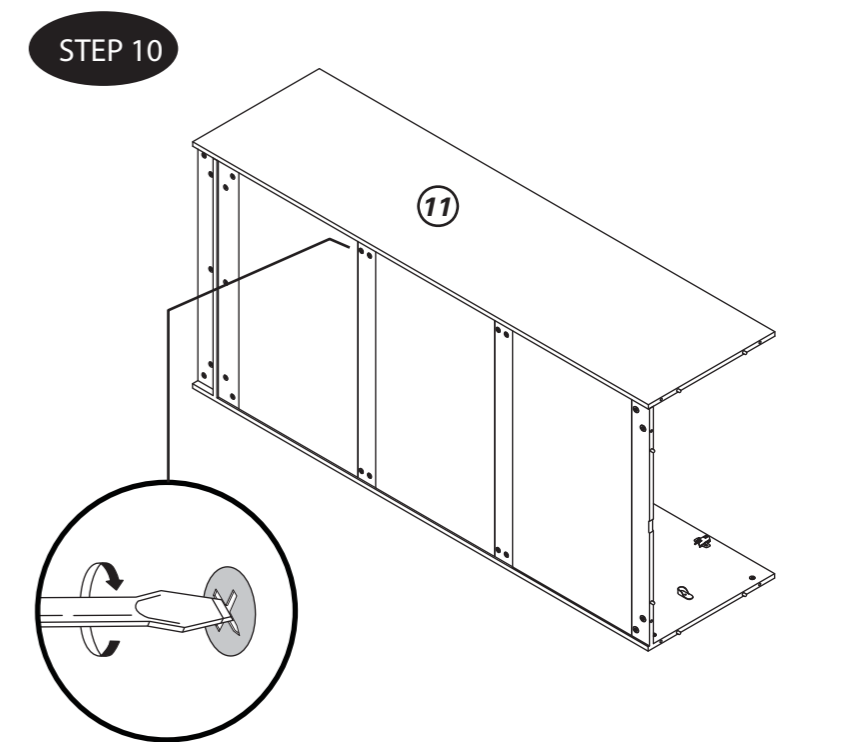


Place the assembled base section onto panel "1" also place panels "6 x 2" & panel 4" onto panel "1" and lock into place as shown.

Slide panels "5 x 3" into place as shown.



Place panel "11" onto wardrobe frame and lock into place as shown.



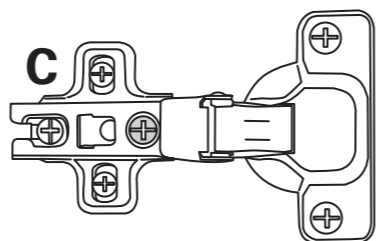
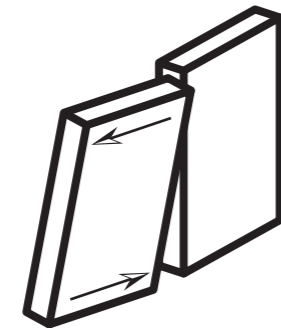
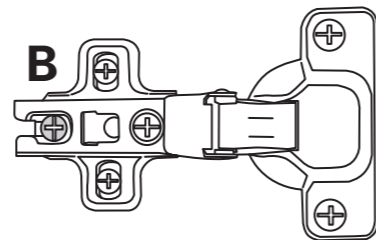
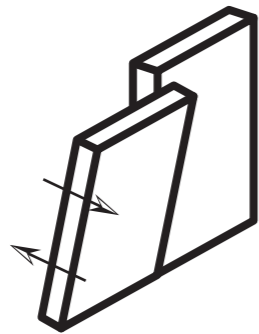
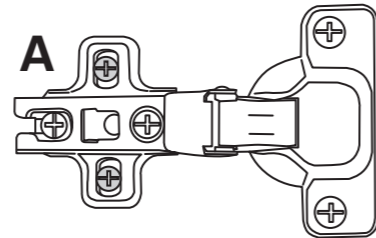
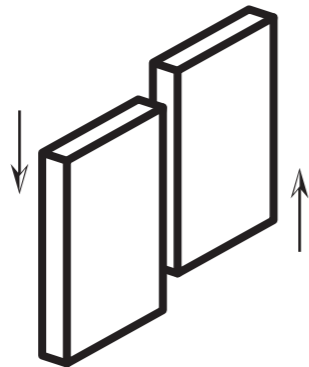
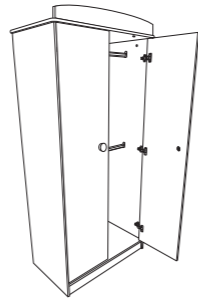
DOOR ADJUSTMENTS

HEIGHT ADJUSTMENT:
Loosen screws "A" on hinge and move door up or down as needed - tighten screws when finished.

FORWARD / BACKWARDS ADJUSTMENT:
Loosen screw "B" on hinge and move door inwards / outwards as needed - tighten screws when finished.

SIDEWAYS ADJUSTMENT:
Loosen screw "C" to move door outwards.
Tighten screw "C" to move door inwards.

STEP 19



The Innovation Factory
St. Columb Major
Business Park,
Cornwall
TR9 6SX
United Kingdom

CUSTOMER CARE
FREEPHONE: 0800 389 8591 (UK only)
www.worldsapart.com
customercare@worldsapart.com

© 2010 Worlds Apart Limited, All Rights Reserved,
Design Right Worlds Apart Limited
INS.486 - DR 12/05/11

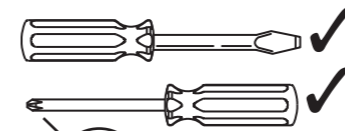
WARNING! Do not use if any part is missing, damaged or broken.
DO NOT substitute parts. Use only additional or replacement parts supplied by Worlds Apart Ltd.
Please call 0800 389 8591 to obtain spare parts or assembly assistance.



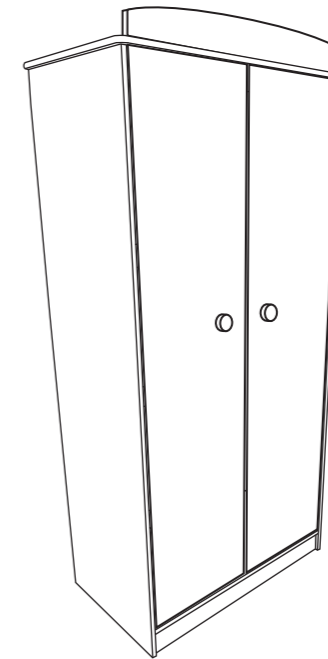
CARS GROW WITH ME ROBE 830-00334

DISNEY PRINCESS GROW WITH ME ROBE 830-00335

Assembly Instruction



Do not use.



Minimum No. of people recommended to assemble this product.




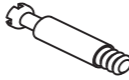
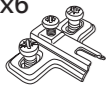
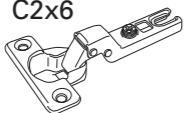


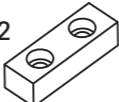

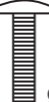



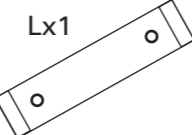
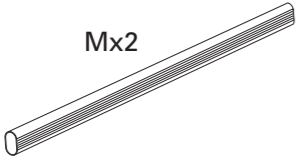
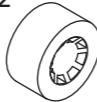
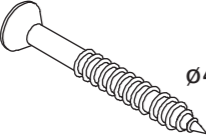
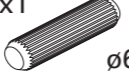
Approx assembly time.



Before you start, here is some helpful advice.

- Assembly to be carried out by a competent adult only.
- During assembly, children should be kept away from the product, due to possible risk of injury.
- Do not over tighten fixings, due to possible risk of damaging your product.
- Regularly check all fastenings to ensure that they are properly tightened.
- Do not use this item if any components are missing or damaged. Do not substitute parts. Use only additional or replacement parts supplied by Worlds Apart Ltd.
- This product is suitable for children from 3-12 years.
- Wipe clean using warm water.
- Made In China.

IMPORTANT! KEEP FOR FUTURE REFERENCE.

FITTINGS			
Ax35 		Bx35 	
C1x6 	C2x6 	Dx24  ø8x30	
Ex4 		Fx2 	
Gx12 		Hx2  ø4x32	
Ix1 		Jx33  ø4x16	
Kx12  ø3x16		Lx1 	
Mx2 		Nx2 	
Ox2  ø4x30		Px1  ø6x30	

Attach the door handles "N x 2" to the doors using screws "H x 2".

It is advised that the wardrobe is attached to the wall using the webbing strap at the top of the wardrobe.
NOTE: screws are not supplied.

STEP 18

