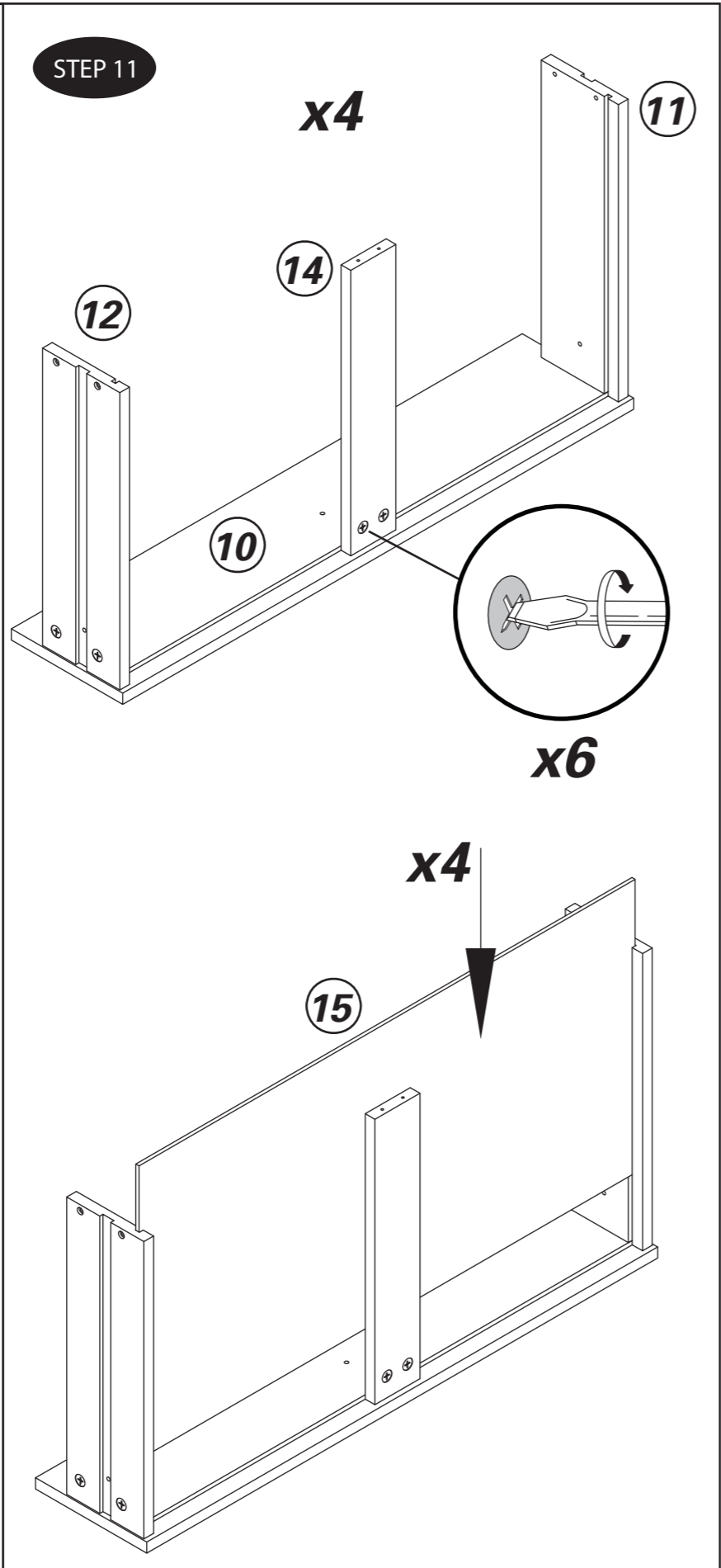
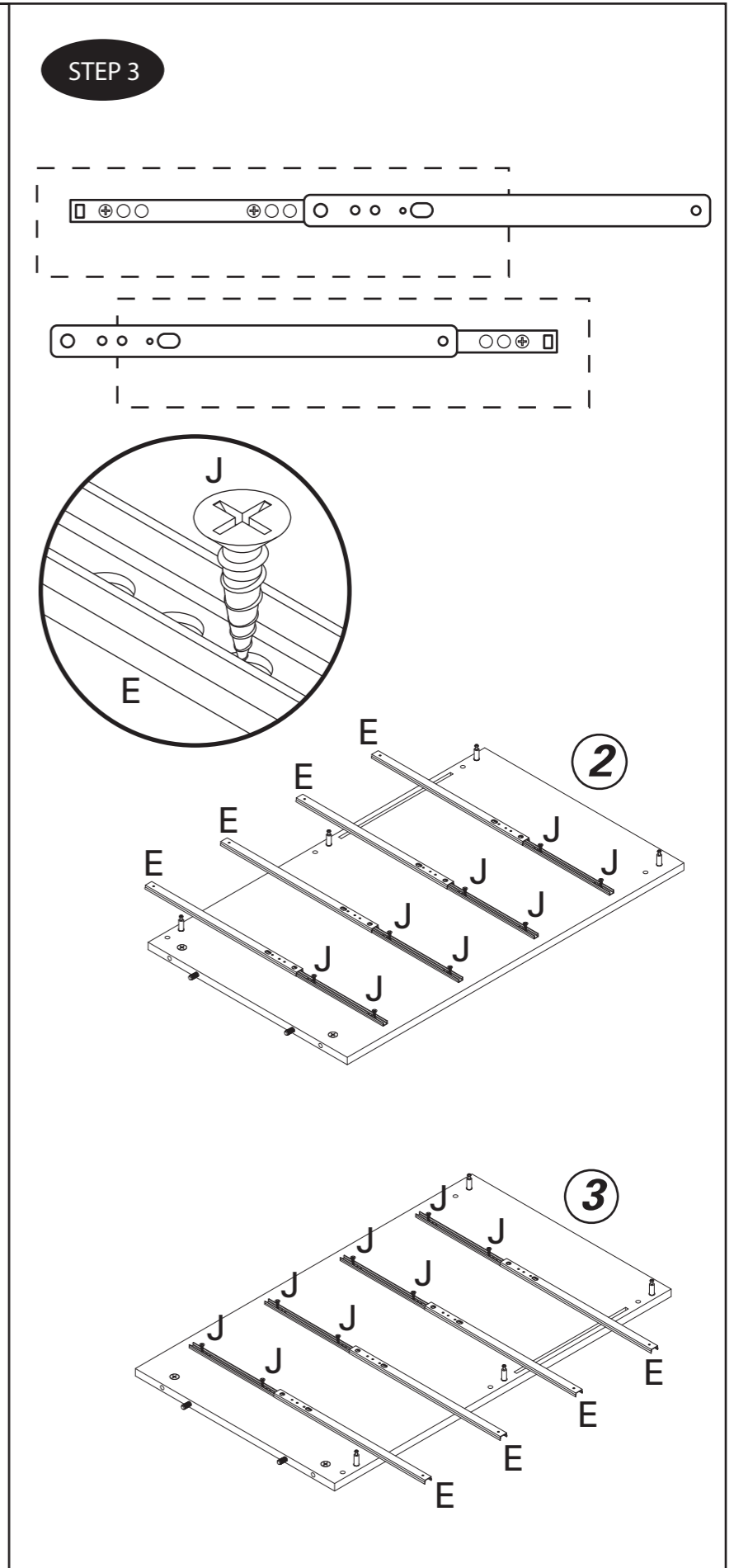


Place panels "11 / 12 / & 14" onto panel "10" and lock into place as shown.



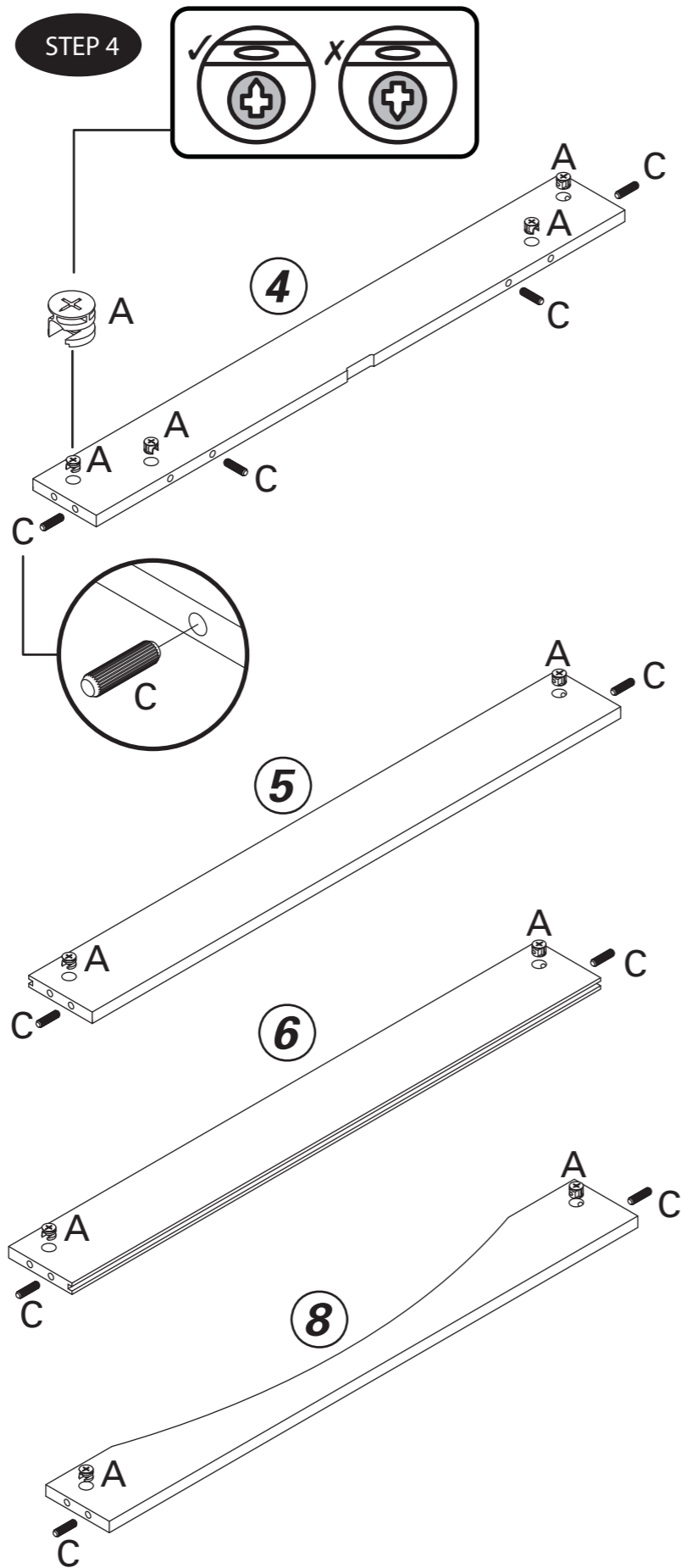
Slide panels "15 x 4" into drawer frame as shown.

Screw drawer runners "E x 4" onto panels "2 & 3" using screws "J x 24".



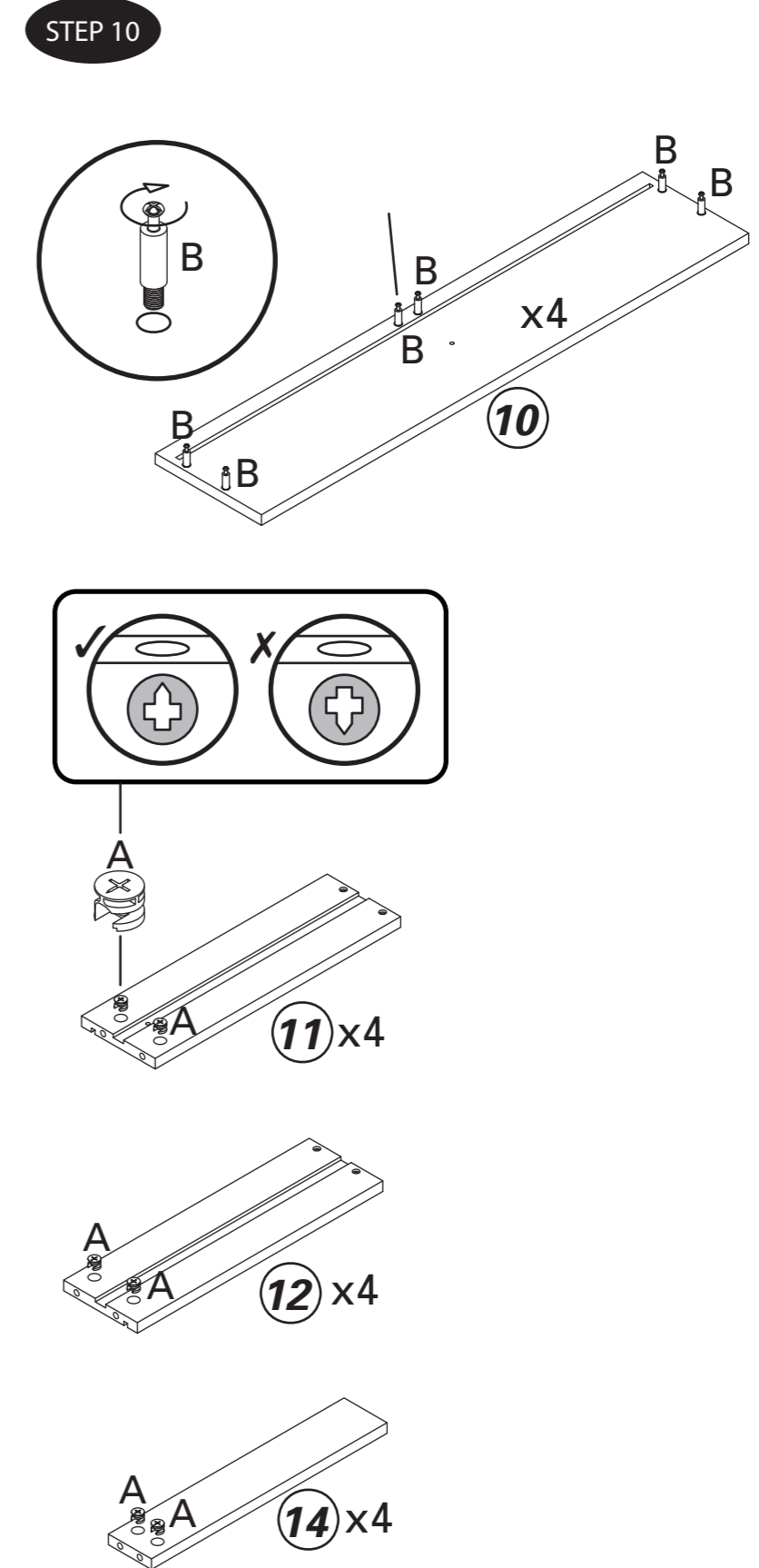
Insert camlocks "A x 10" into panels "4 / 5 / 6 & 8" by hand.

Insert dowels "D x 10" into panels "4 / 5 / 6 & 8" by hand.



Screw cambolts "B x 6" into panel "10".

Insert camlocks "A x 24" into panels "11 / 12 & 14" by hand.

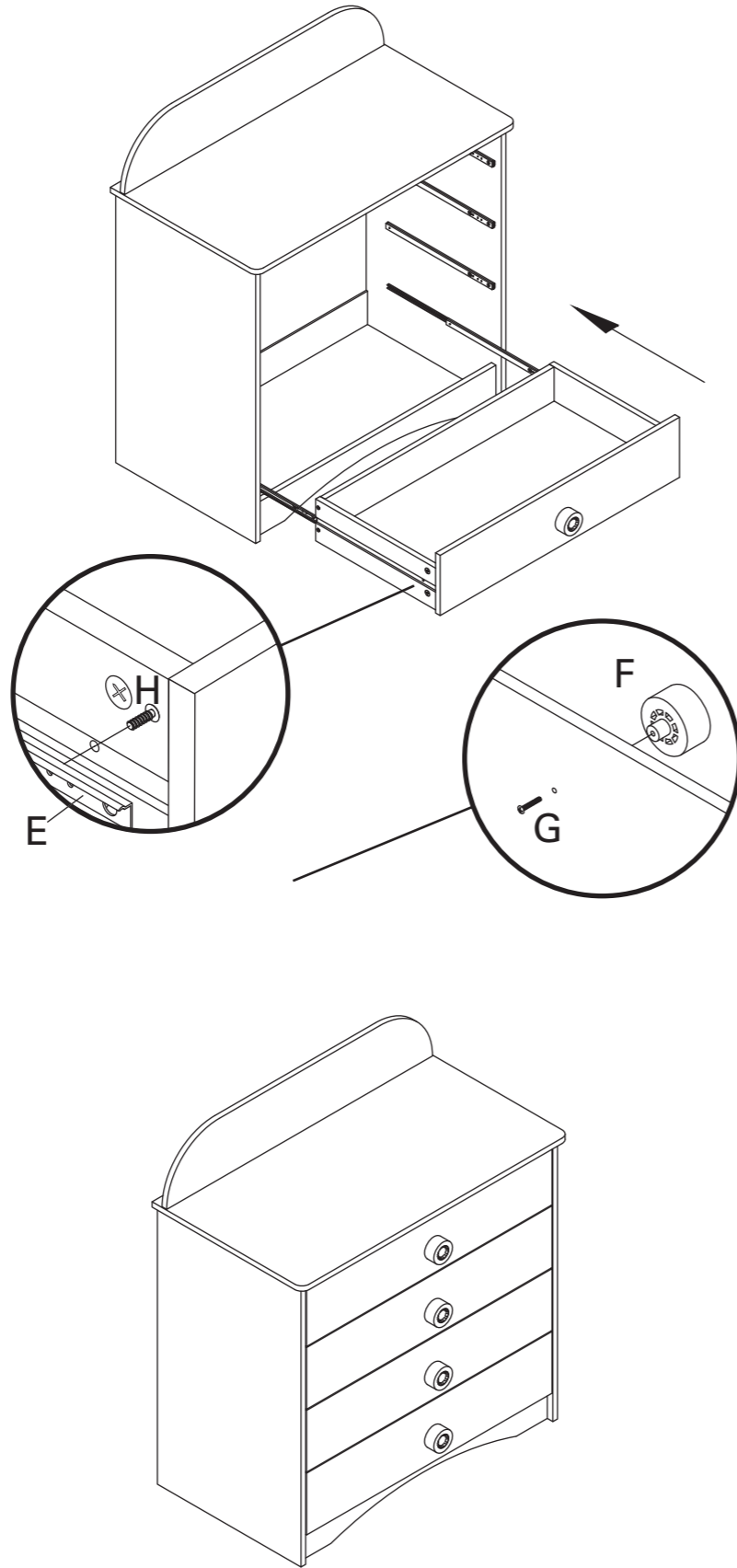


Slide the drawer onto the draw runners and screw into place using screws "H x 2".

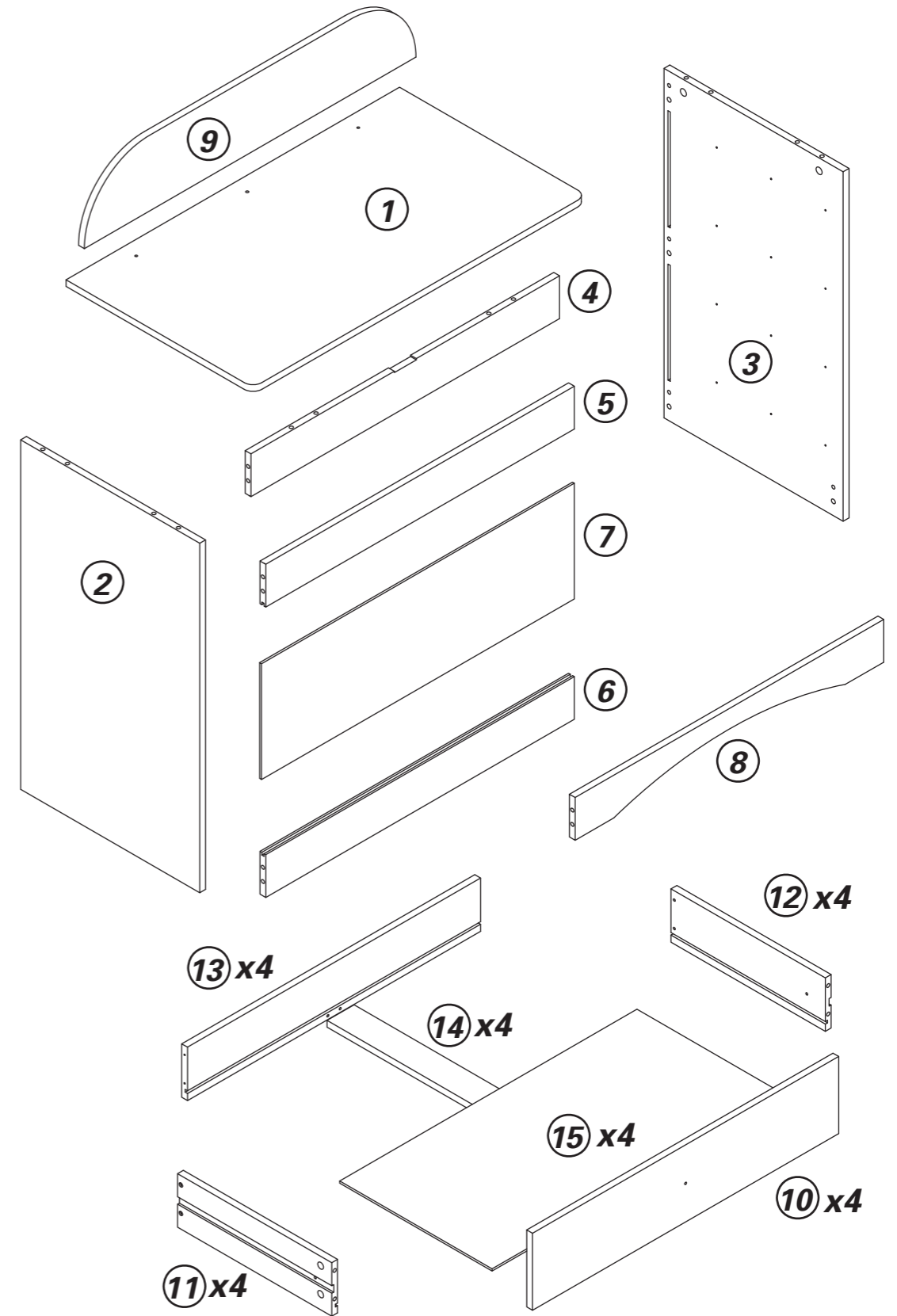
Attach the drawer handles "F x 1" to the doors using screws "G x 1".

Repeat for all drawers.

STEP 13



PARTS

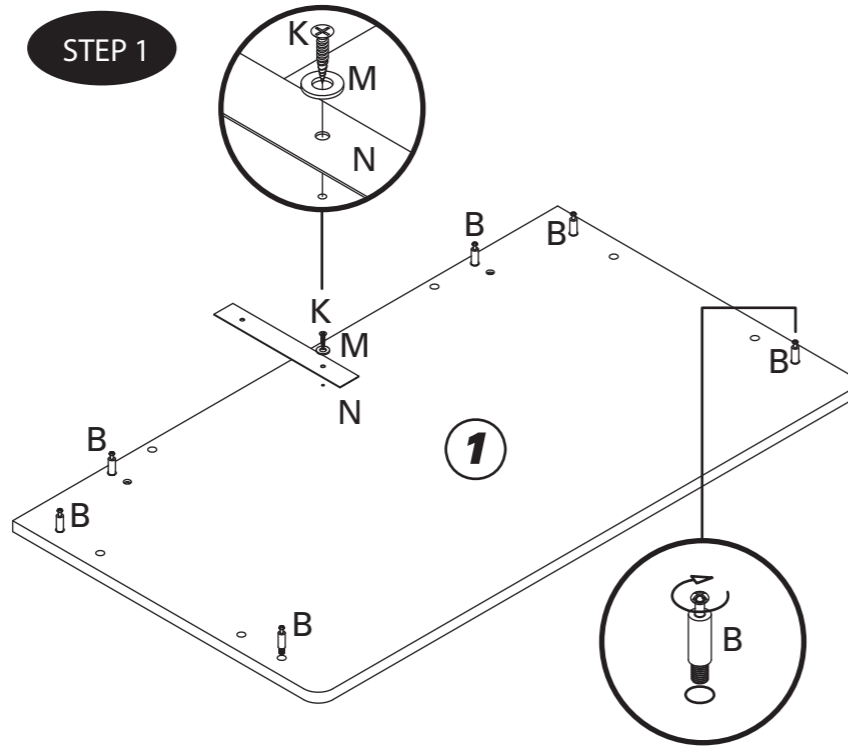


Assembly



Screw cambolts "B x 6" into panel "1".

Attach webbing strap "N x 1" onto panel "1" using washer "M x 1" and screw "K x 1".

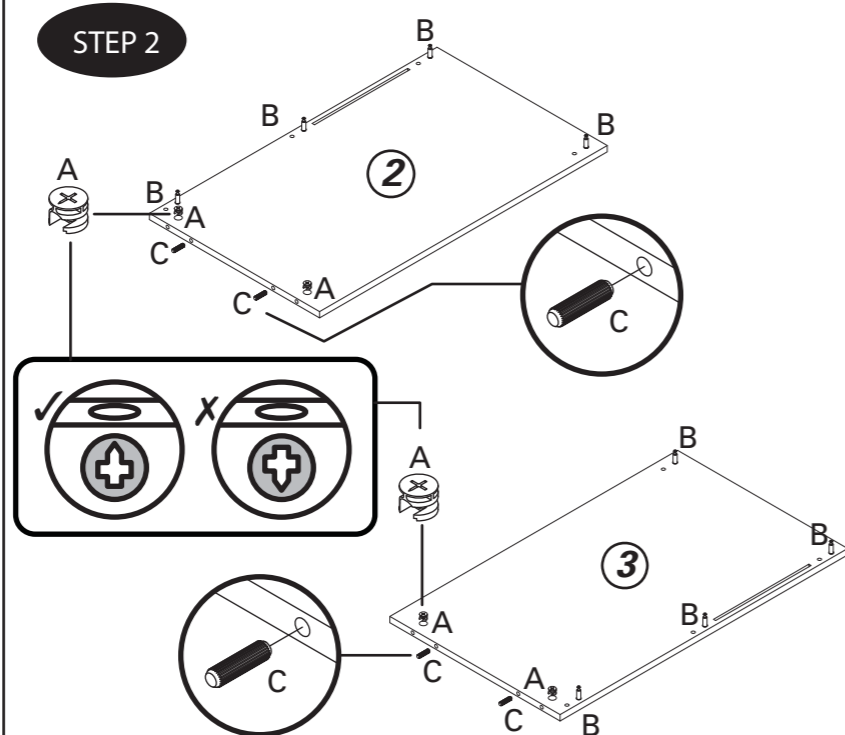


Insert camlocks "A x 2" into panel "2" by hand.

Insert dowels "C x 2" into panel "2".

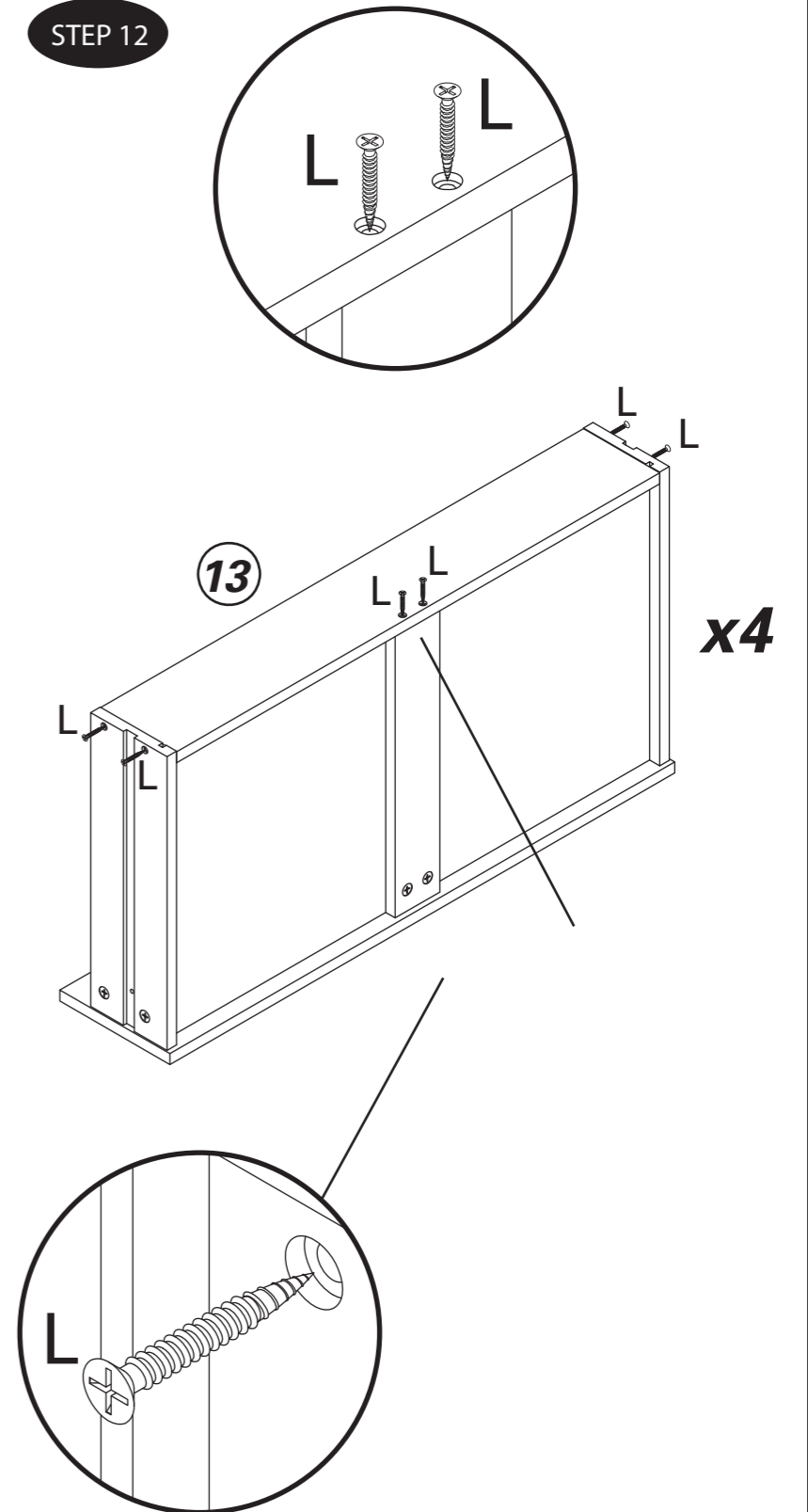
Insert camlocks "A x 2" into panel "3" by hand.

Insert dowels "C x 2" into panel "3".



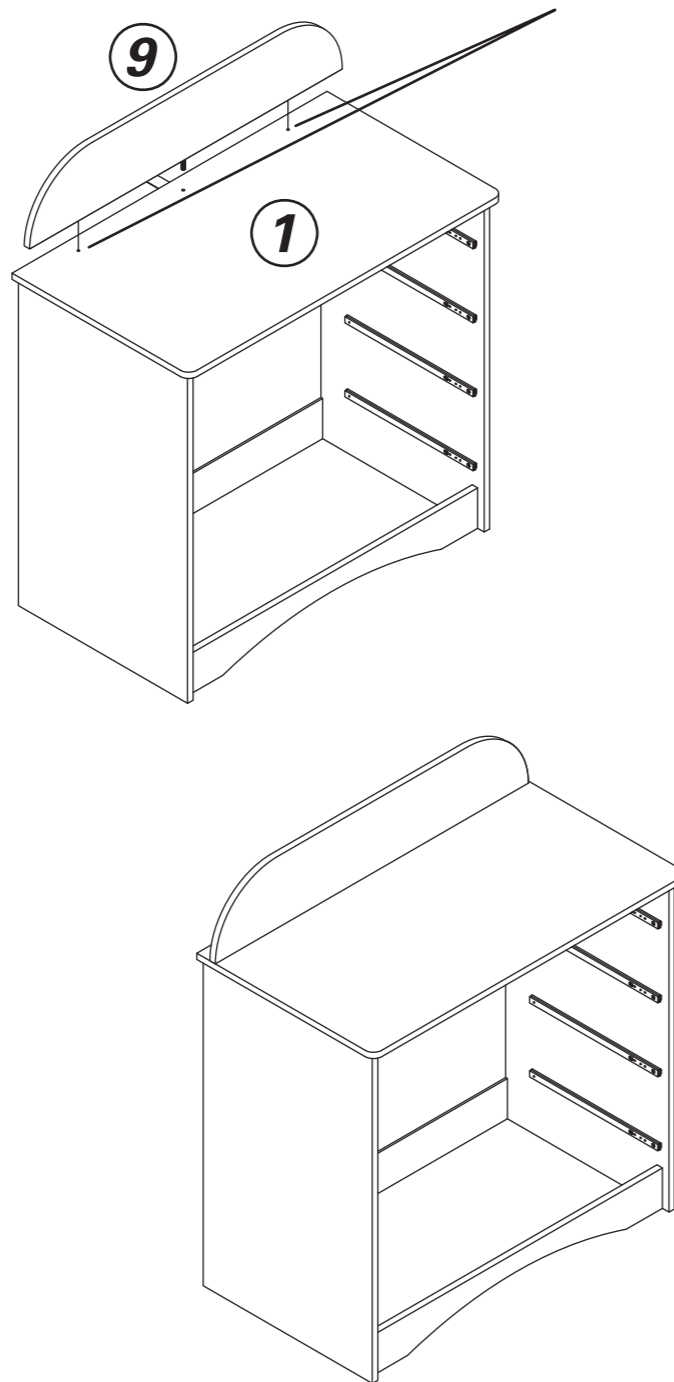
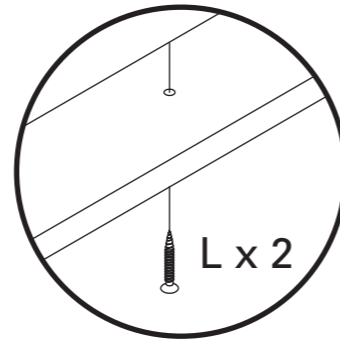
Slot panel "13" onto drawer frame and screw into place using screws "L" as shown.

STEP 12



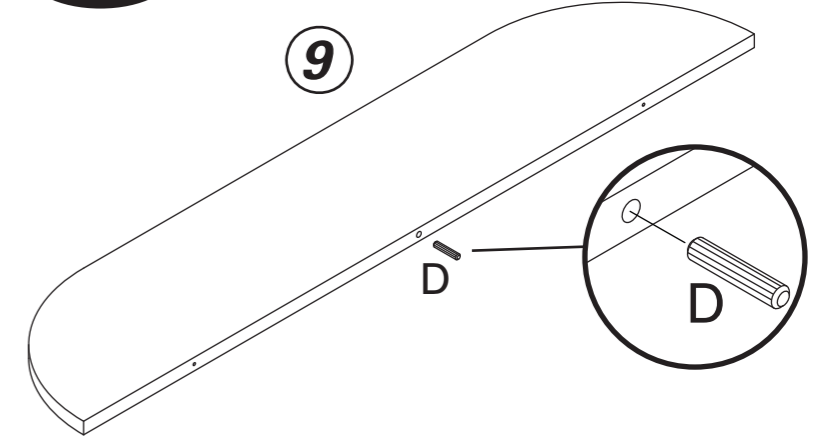
Attach panel "9 x 1" onto the top of the chest using screws "L x 2".

STEP 9



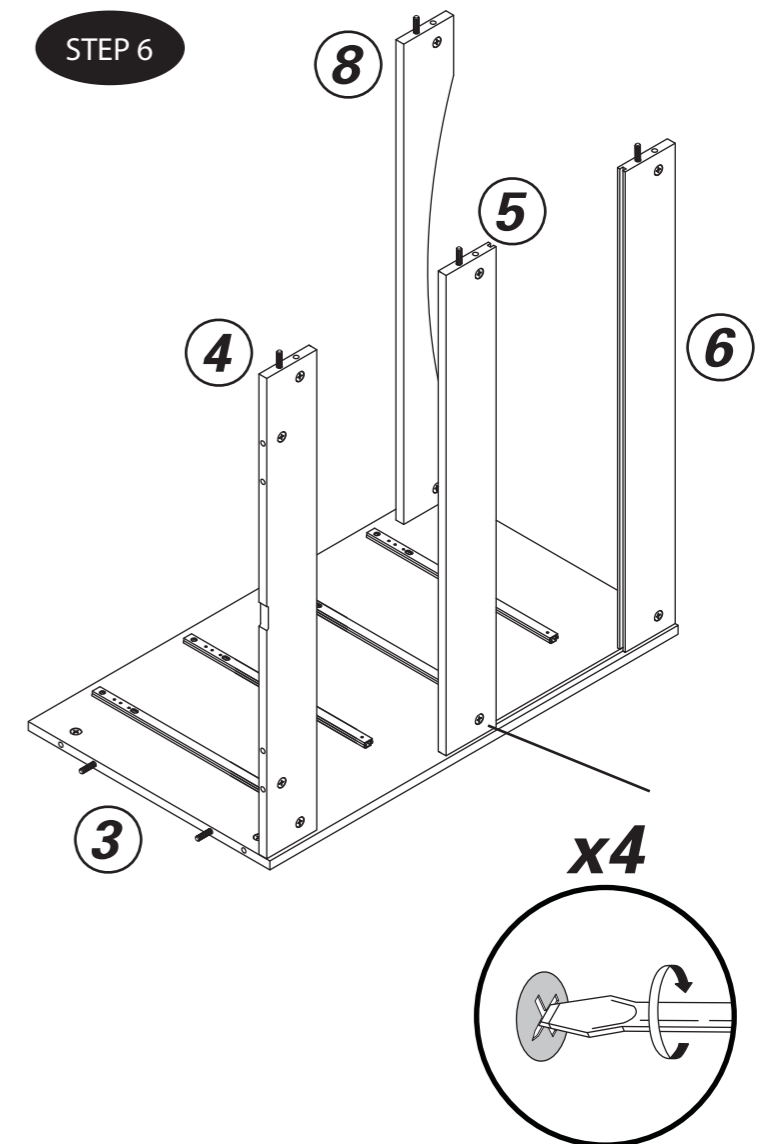
Insert dowels "D x 1" into panels "9" by hand.

STEP 5

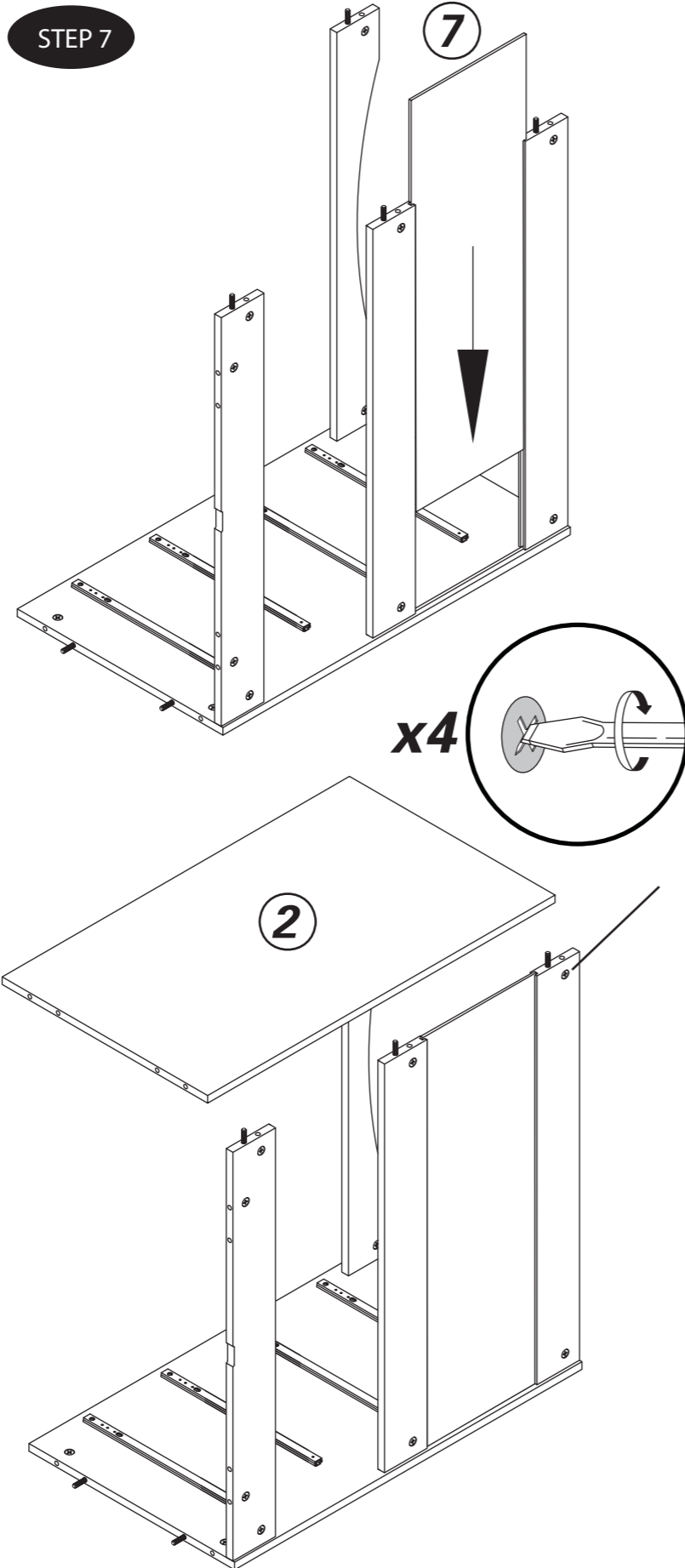


Place panels "4 / 5 / 6 & 8" onto panel "3" and lock into place as shown.

STEP 6

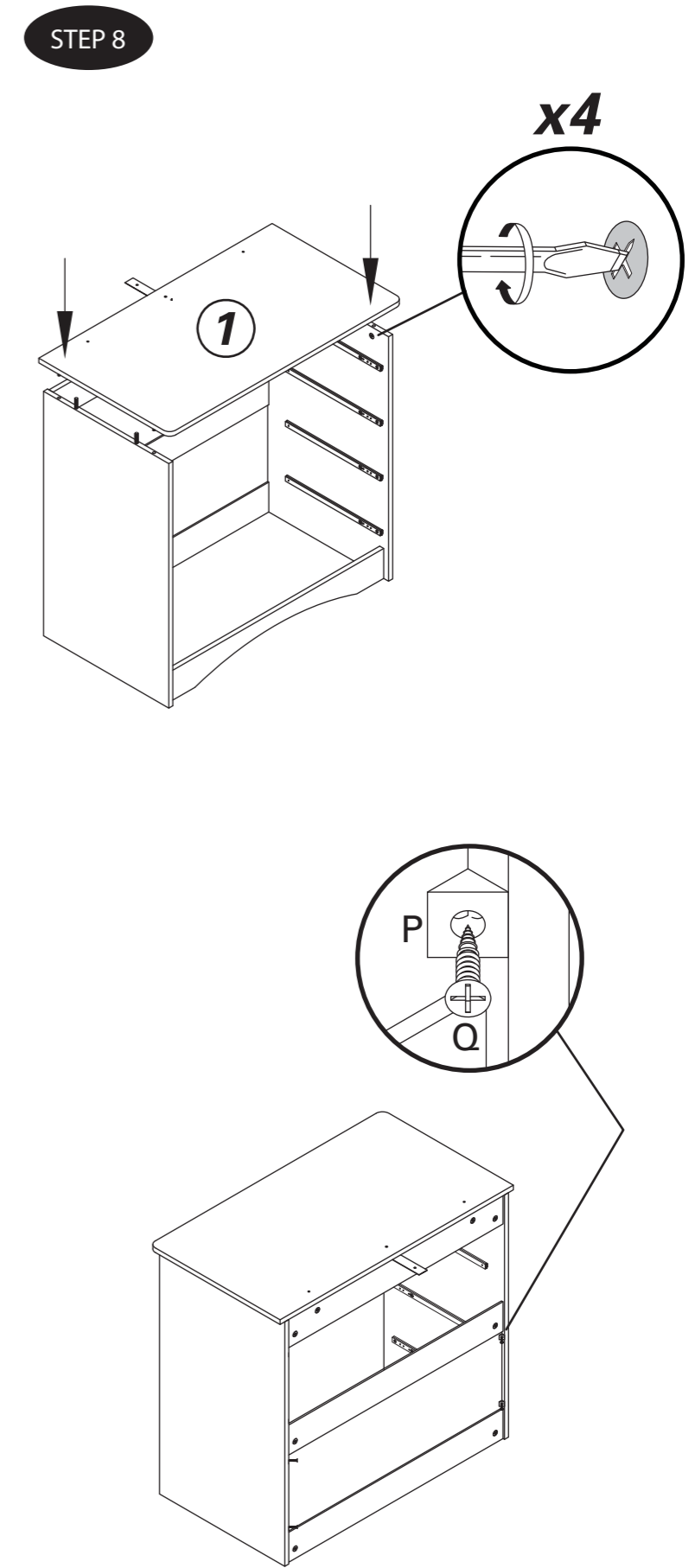


Slide panels "7 x 1" into place as shown.



Place panel "2" onto chest frame and lock into place as shown.

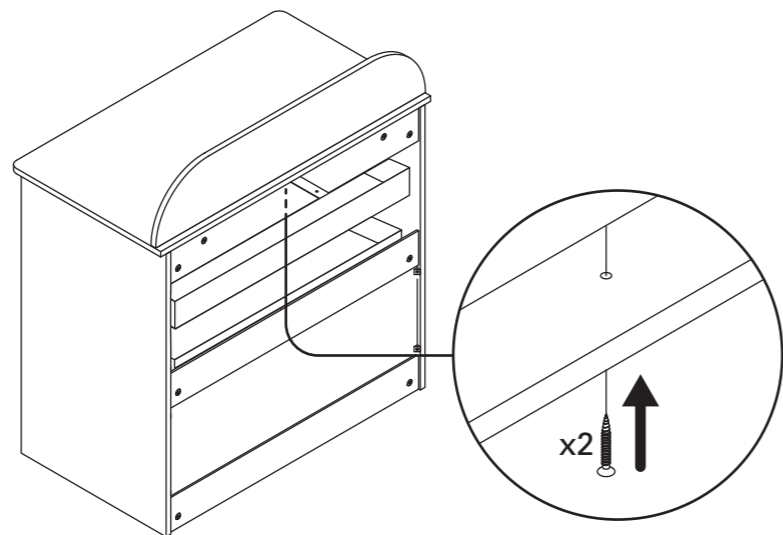
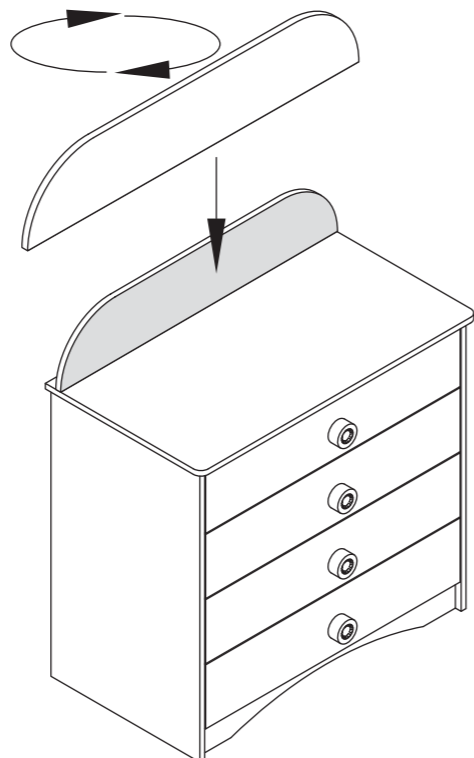
Place panels "1" onto chest frame and lock into place as shown.



Slot moulding "P x 4" into the frame of the chest, screw into place using screws "Q x 4".

Turn the plemet around and screw back into place.

STEP 15

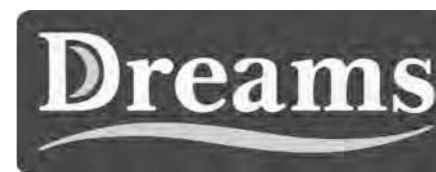


The Innovation Factory
St. Columb Major
Business Park,
Cornwall
TR9 6SX
United Kingdom

CUSTOMER CARE
FREEPHONE: 0800 389 8591 (UK only)
www.worldsapart.com
customercare@worldsapart.com

© 2010 Worlds Apart Limited, All Rights Reserved,
Design Right Worlds Apart Limited
INS.478 - DR 12/05/11

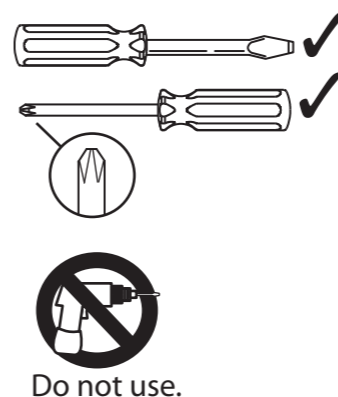
WARNING! Do not use if any part is missing, damaged or broken.
DO NOT substitute parts. Use only additional or replacement parts supplied by Worlds Apart Ltd.
Please call 0800 389 8591 to obtain spare parts or assembly assistance.



CARS GROW WITH ME 4 DRW CHEST 820-00274

DISNEY PRINCESS GROW WITH ME 4 DRW CHEST 820-00275

Assembly Instruction



Minimum No. of people recommended to assemble this product.




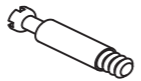
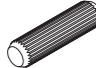
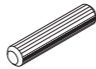
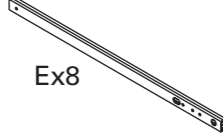







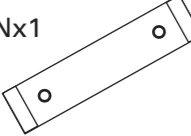


Approx assembly time.



Before you start, here is some helpful advice.

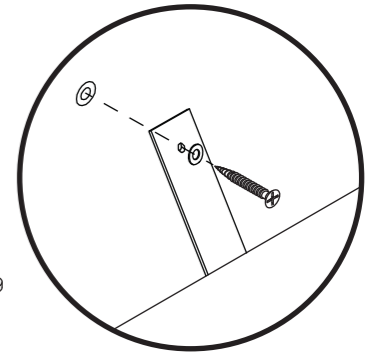
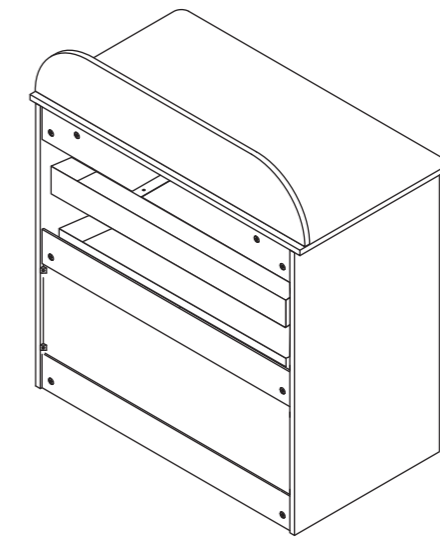
- Assembly to be carried out by a competent adult only.
- During assembly, children should be kept away from the product, due to possible risk of injury.
- Do not over tighten fixings, due to possible risk of damaging your product.
- Regularly check all fastenings to ensure that they are properly tightened.
- Do not use this item if any components are missing or damaged. Do not substitute parts. Use only additional or replacement parts supplied by Worlds Apart Ltd.
- This product is suitable for children from 3-12 years.
- Wipe clean using warm water.
- Made In China.

IMPORTANT! KEEP FOR FUTURE REFERENCE.

FITTINGS	
Ax38 	Bx38 
Cx14  ø8x30	Dx1  ø6x30
Ex8 	Fx4 
Gx4  M4x14	Hx8  M4x14
Jx24  ø3.5x12	Kx1  ø4x16
Lx26  ø4x30	Mx2 
Nx1 	Px4 
Qx4  ø3x16	

It is advised that the chest is attached to the wall using the webbing strap at the top of the chest.
NOTE: screws are not supplied.

STEP 14



The pelmet is reversible.
Unscrew the panel and lift off.

