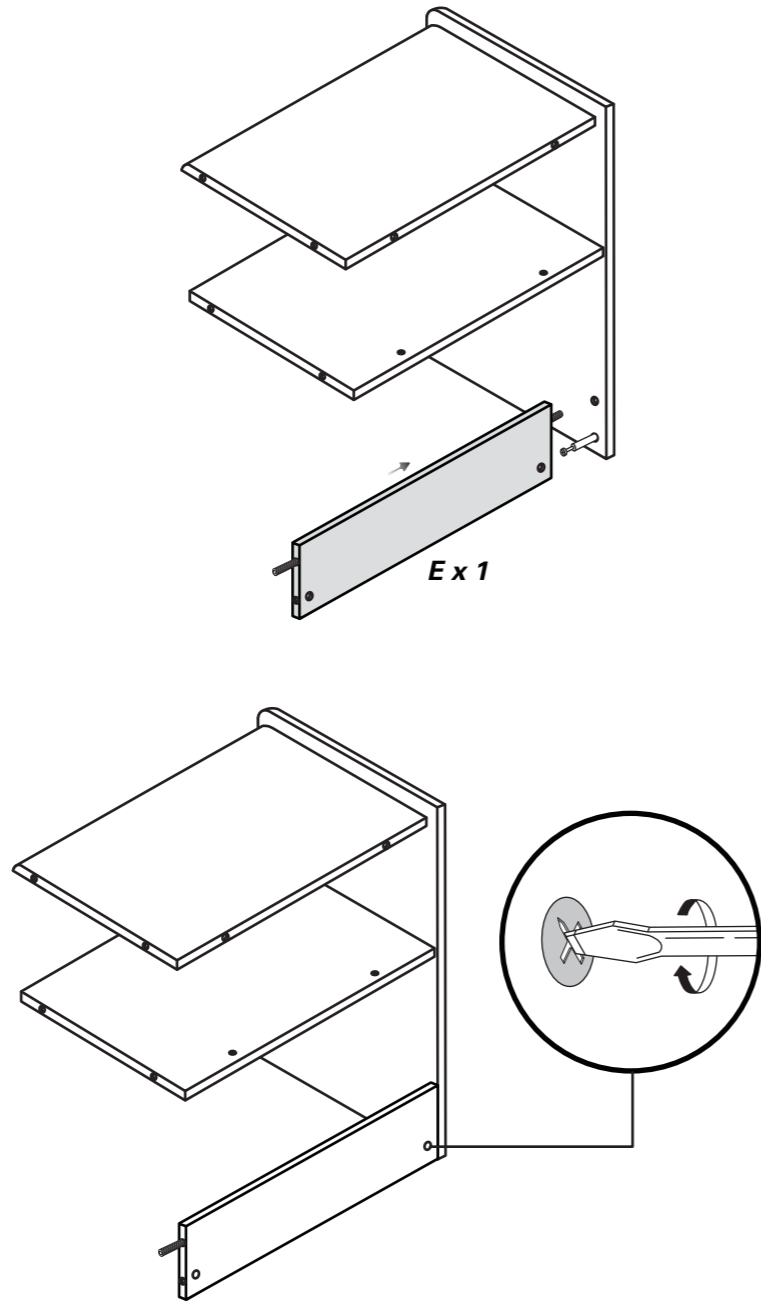


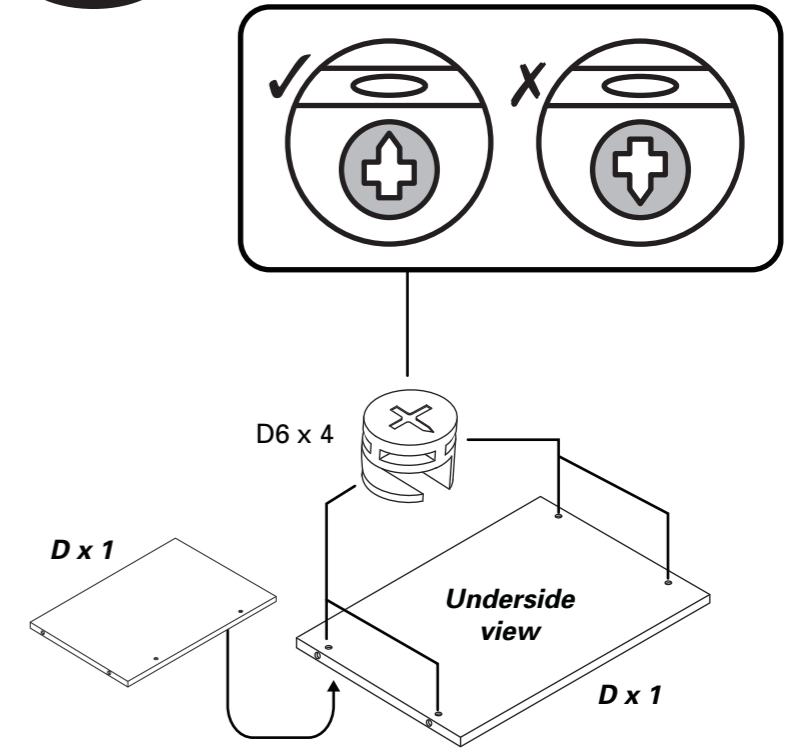
Slot panel "E" onto panel "A" and lock into place as shown.

STEP 10



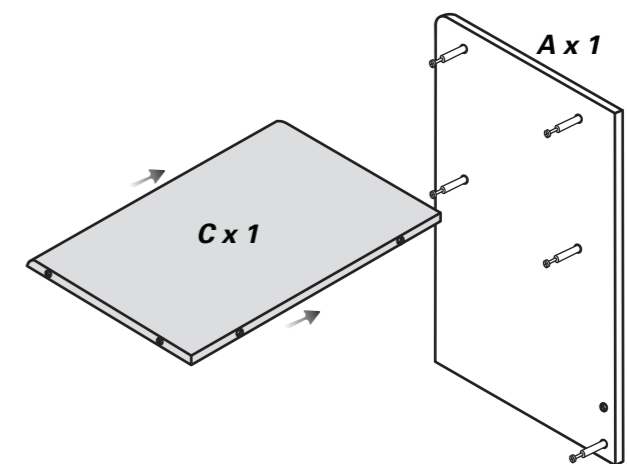
Insert camlocks "D6 x 4" into the underside of panel "D" by hand.

STEP 4



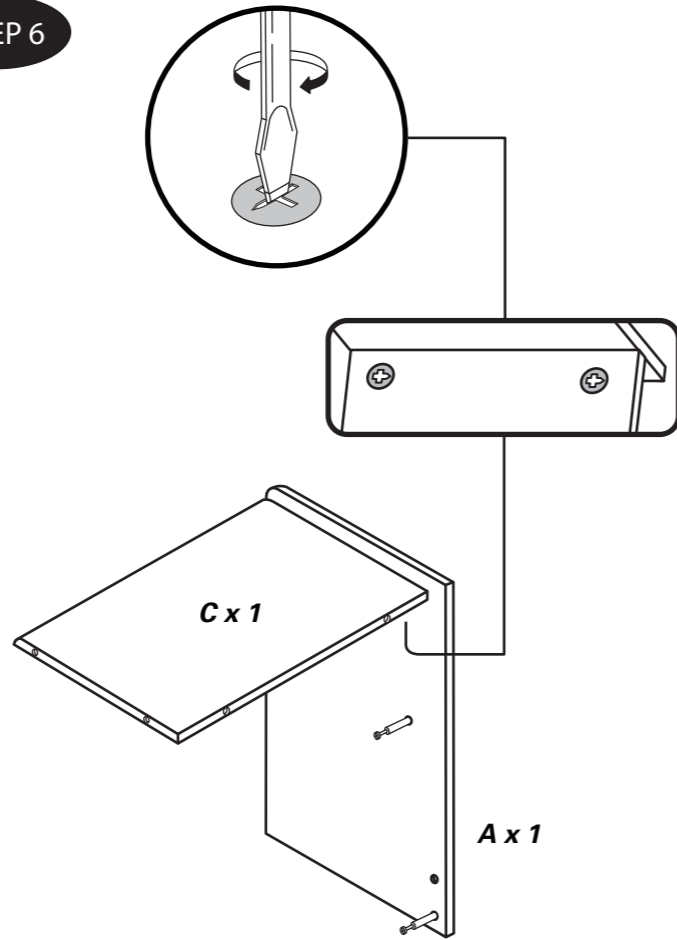
Slot panel "C" onto panel "A" at this stage.

STEP 5



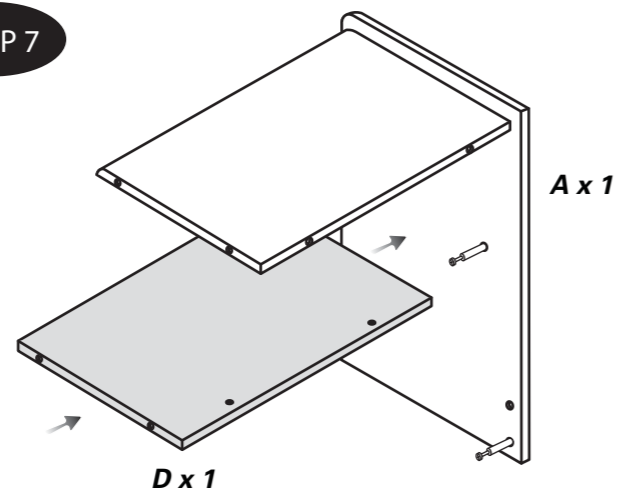
Lock panel "C" into place as shown.

STEP 6



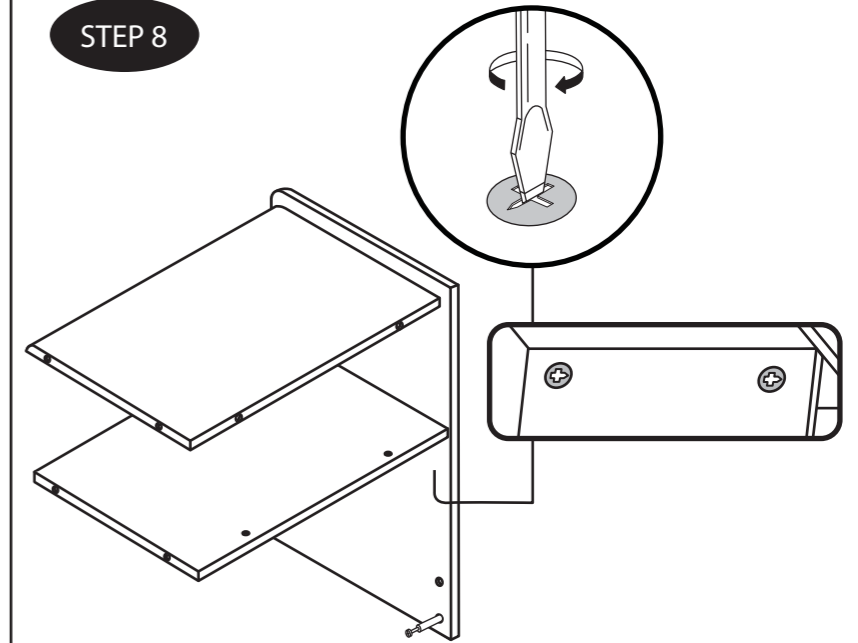
Slot panel "D" onto panel "A" at this stage.

STEP 7



Lock panel "D" into place as shown.

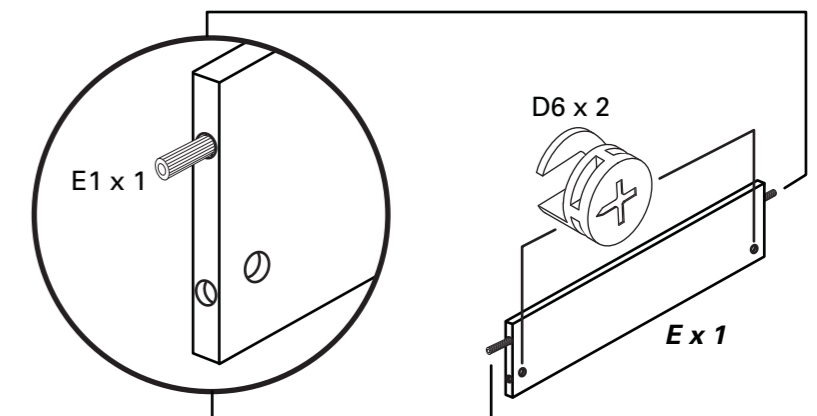
STEP 8



Insert dowel "E1 x 2" into panel "E".

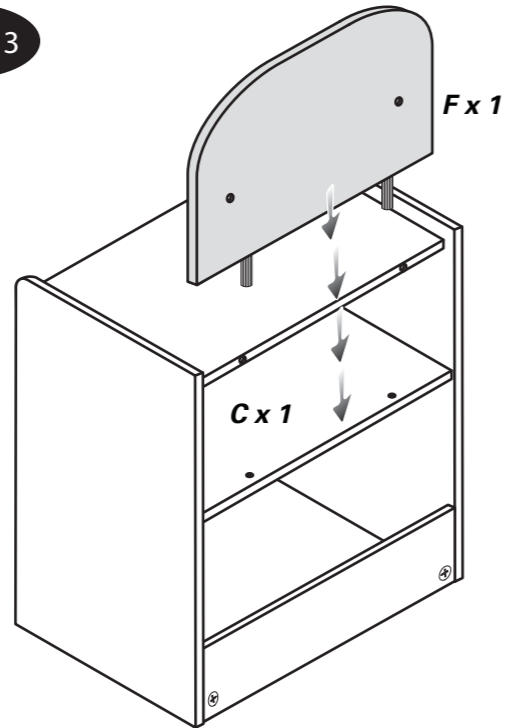
STEP 9

Insert camlocks "D6 x 2" into panel "E" by hand.



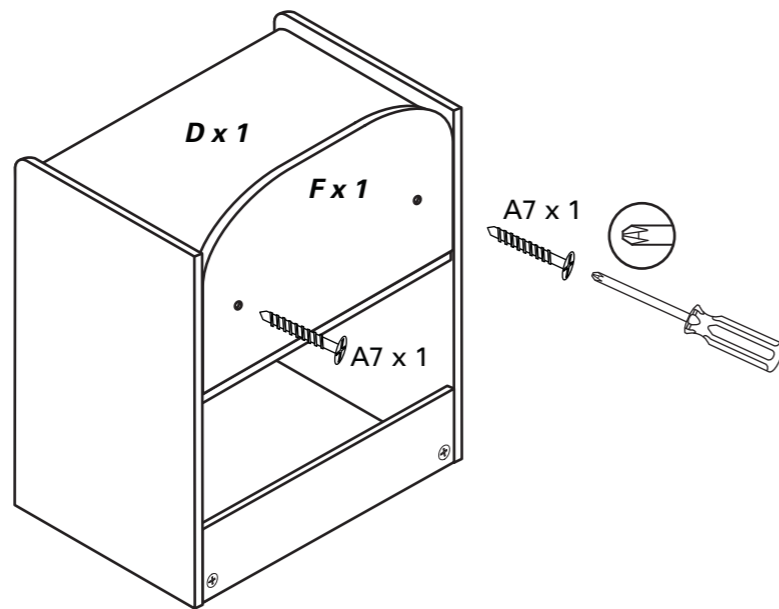
Slot panel "F" onto panel "C" as shown.

STEP 13



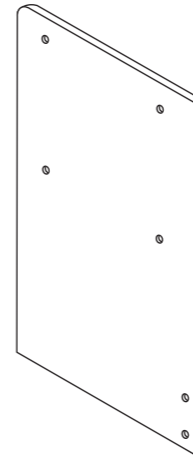
Screw panel "F" onto panel "D" using screws "A7 x 2".

STEP 14

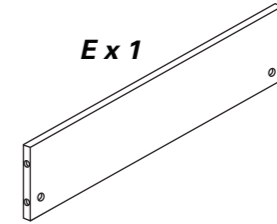


PARTS

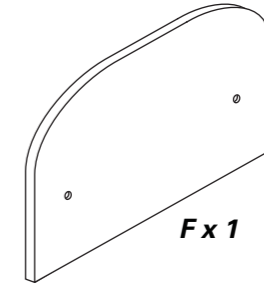
A x 1



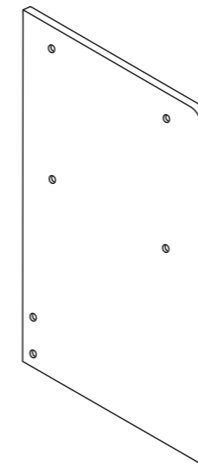
E x 1



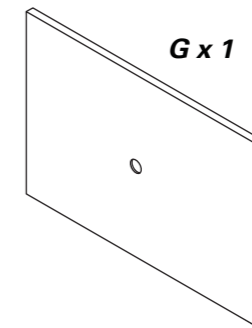
F x 1



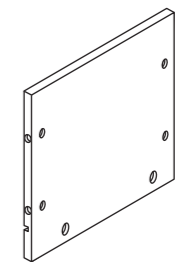
B x 1



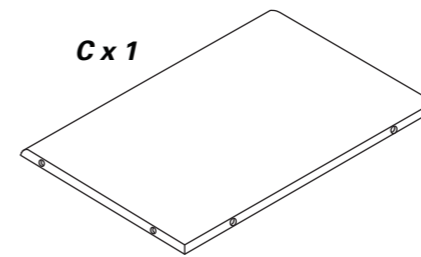
G x 1



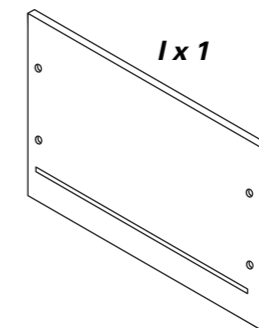
H x 2



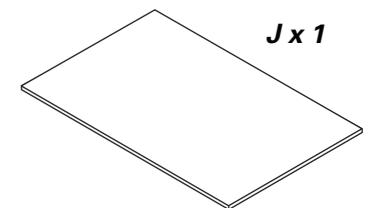
C x 1



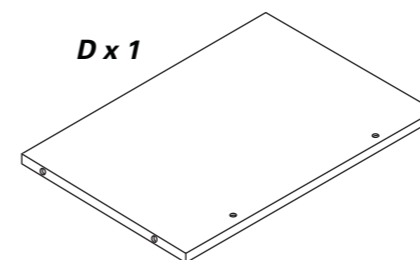
I x 1



J x 1



D x 1



K x 4

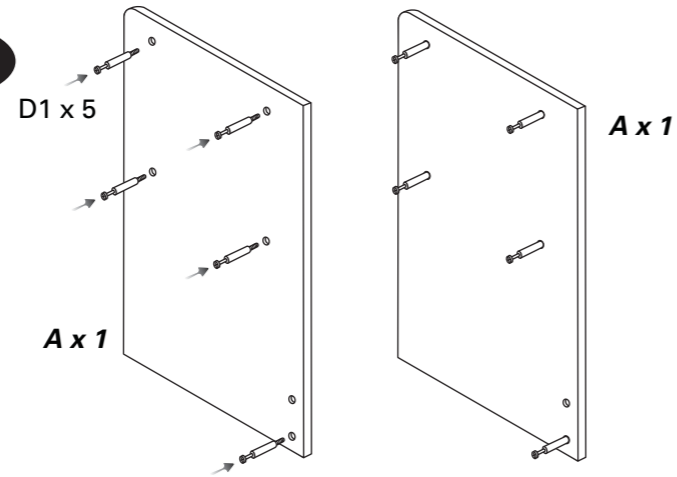


Assembly



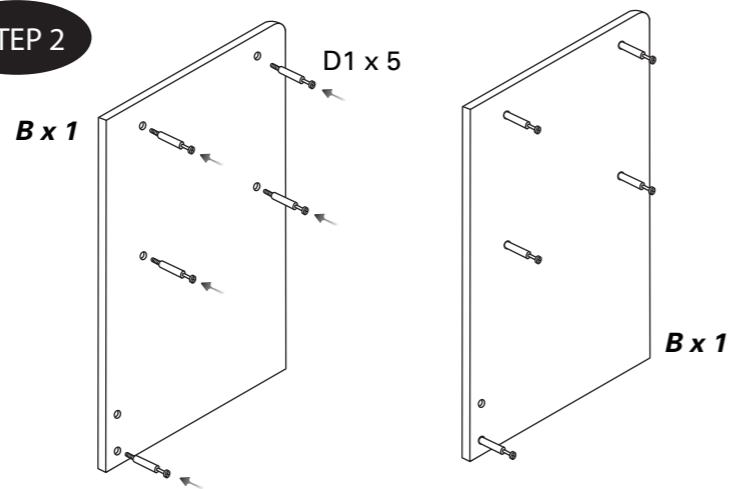
Screw cambolts "D1 x 5" into panel "A x 1".

STEP 1



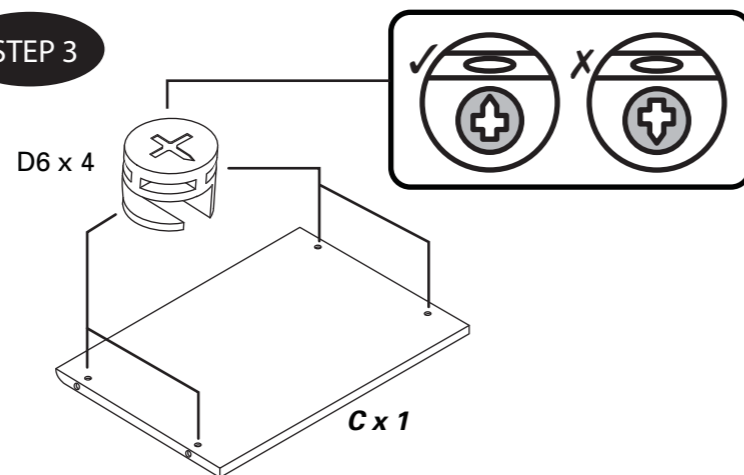
Screw cambolts "D1 x 5" into panel "B x 1".

STEP 2



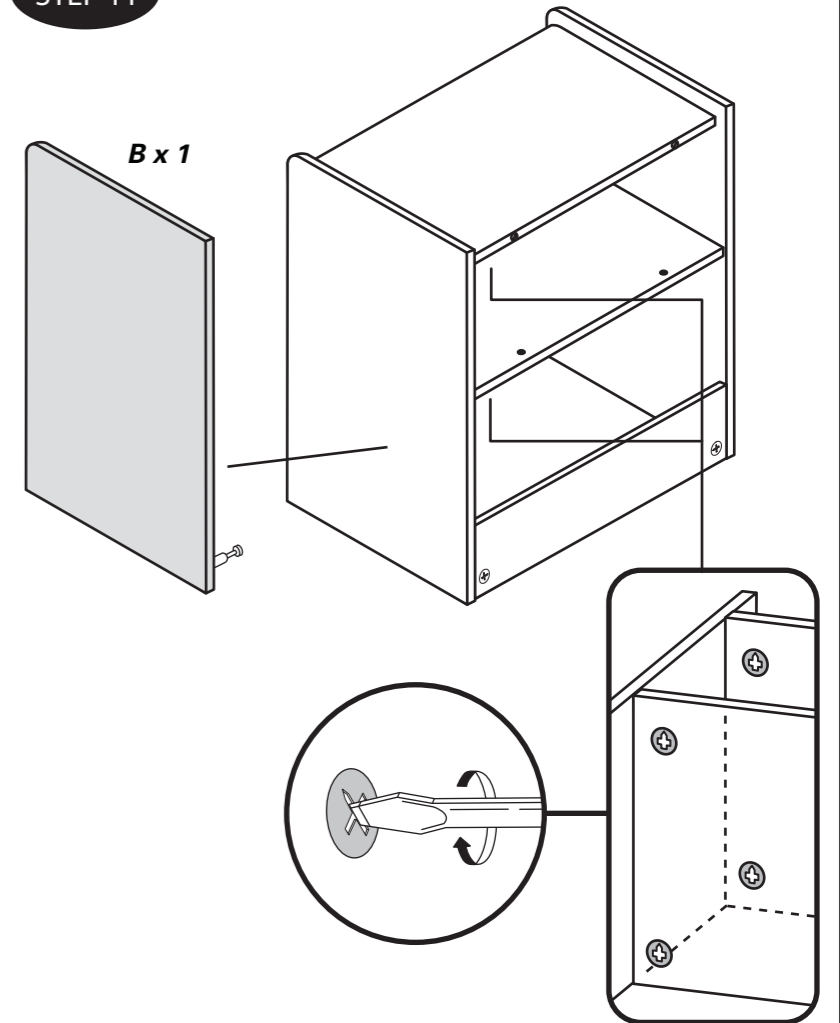
Insert camlocks "D6 x 4" into panel "C" by hand.

STEP 3



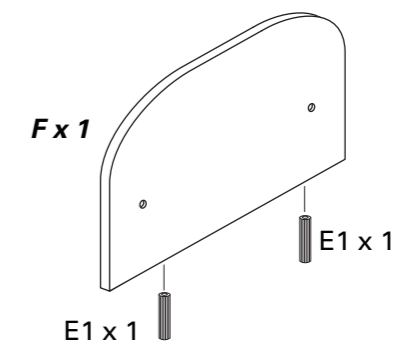
Slot panel "B" onto panels "A / C & D" and lock into place as shown.

STEP 11



Insert dowels "E1 x 2" into panel "F1".

STEP 12

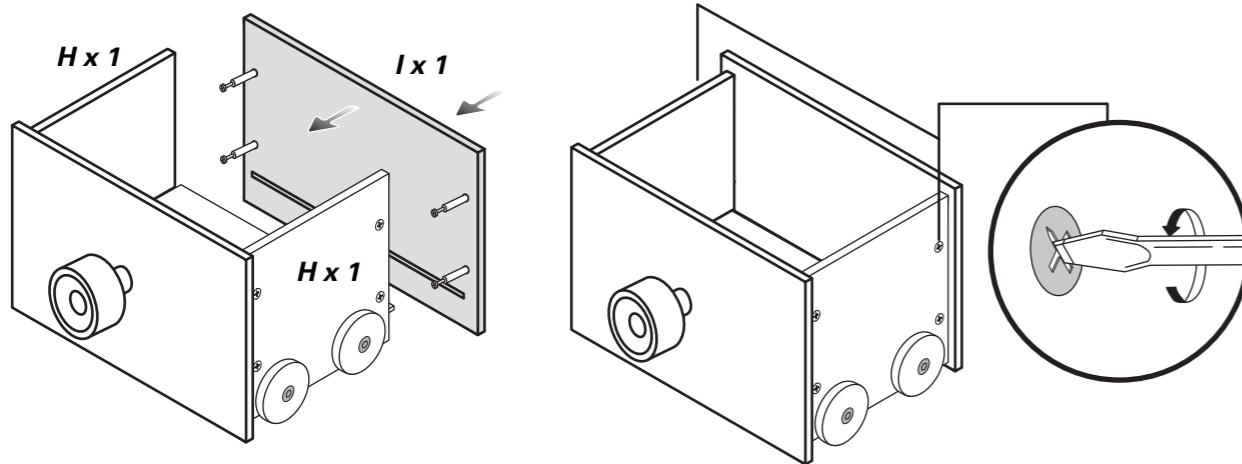
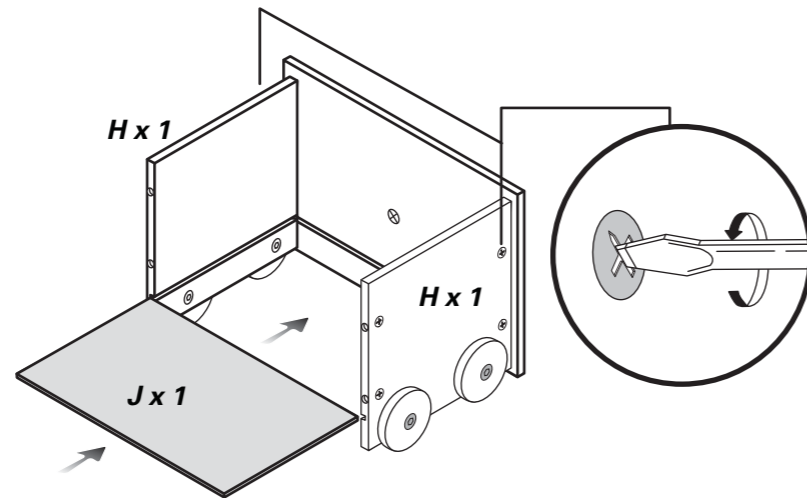
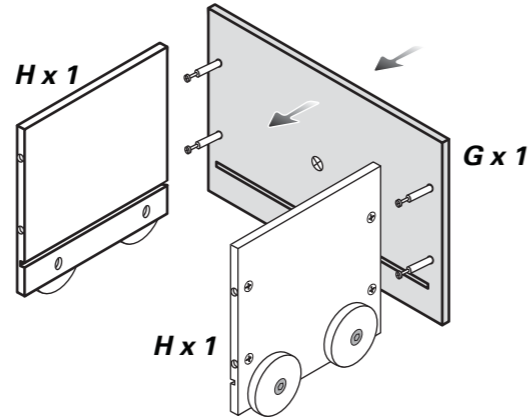


Slot panel "G x 1" onto panels "H x 2". Lock into place as shown.

Slide panel "J x 1" into place as shown.

Slot panel "I x 1" onto panels "H x 2". Lock into place as shown.

STEP 17



The Innovation Factory
St. Columb Major
Business Park,
Cornwall
TR9 6SX
United Kingdom

CUSTOMER CARE
FREEPHONE: 0800 389 8591 (UK only)
www.worldsapart.com
customercare@worldsapart.com

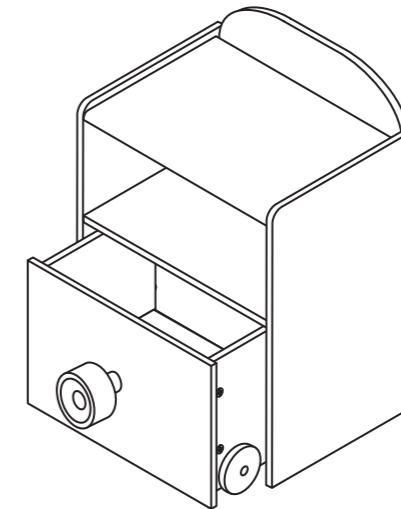
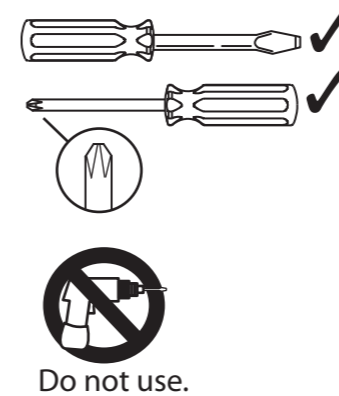
© 2010 Worlds Apart Limited, All Rights Reserved,
Design Right Worlds Apart Limited
INS.467 - DR 12/05/11

WARNING! Do not use if any part is missing, damaged or broken.
DO NOT substitute parts. Use only additional or replacement parts supplied by Worlds Apart Ltd.
Please call 0800 389 8591 to obtain spare parts or assembly assistance.



CARS GROW WITH ME BEDSIDE TABLE 810-00072

Assembly Instruction



Minimum No. of people recommended to assemble this product.



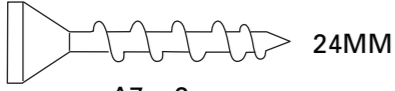
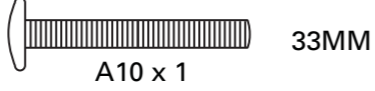

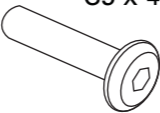
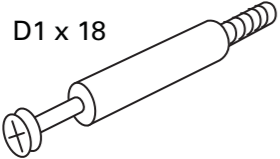
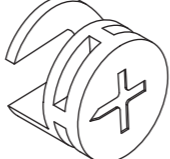
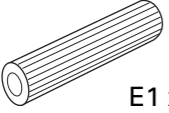
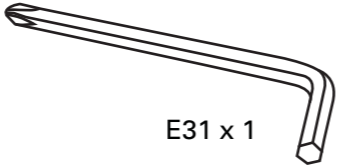

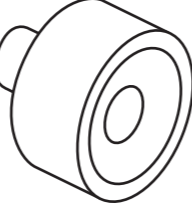
Approx assembly time.



Before you start, here is some helpful advice.

- Assembly to be carried out by a competent adult only.
- During assembly, children should be kept away from the product, due to possible risk of injury.
- Do not over tighten fixings, due to possible risk of damaging your product. • Regularly check all fastenings to ensure that they are properly tightened.
- Do not use this item if any components are missing or damaged. Do not substitute parts. Use only additional or replacement parts supplied by Worlds Apart Ltd.
- This product is suitable for children from 3-12 years.
- Wipe clean using warm water.
- Made In China.

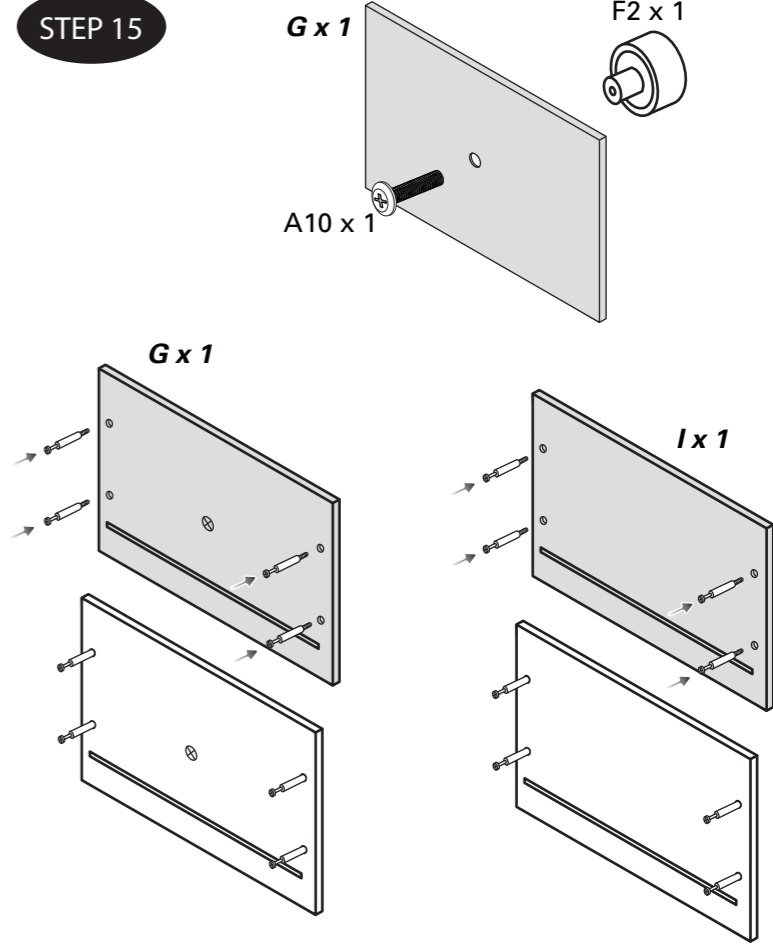
IMPORTANT! KEEP FOR FUTURE REFERENCE.

| FITTINGS | |
|--|--|
|  <p>A7 x 2 24MM</p> |  <p>A10 x 1 33MM</p> |
|  <p>C4 x 4</p> |  <p>C5 x 4</p> |
|  <p>D1 x 18</p> |  <p>D6 x 18</p> |
|  <p>E1 x 4</p> |  <p>E31 x 1</p> |
|  <p>E32 x 4</p> |  <p>F2 x 1</p> |

Screw drawer handle "F2 x 1" onto panel "G x 1" using screw "A10 x 1".

Screw cambolts "D1 x 8" into panels "G & H".

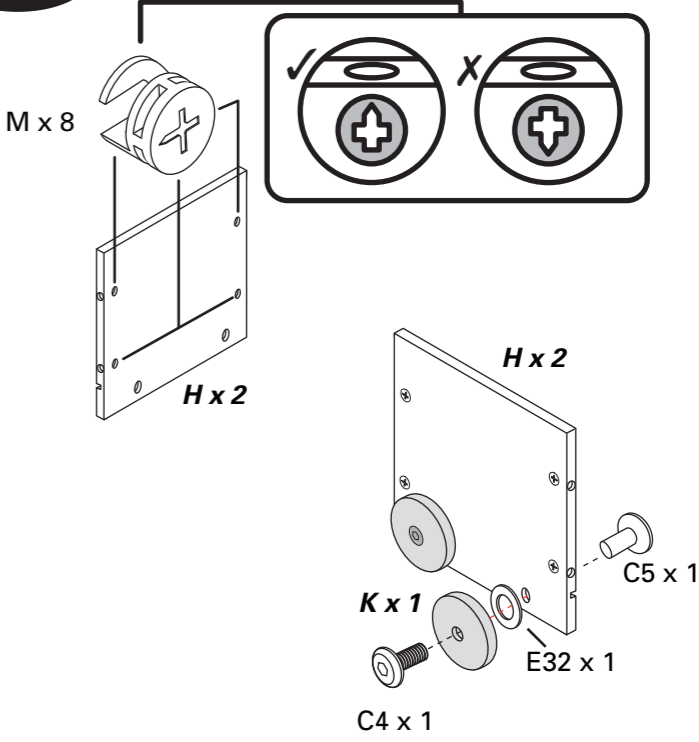
STEP 15



Insert camlocks "D6 x 8" into panel "H x 2" by hand.

Bolt wheels "K x 4" onto panels "H x 2" using washer "E32 x 4" with bolts "C4 x 4" and "C5 x 4".

STEP 16



11 of 12