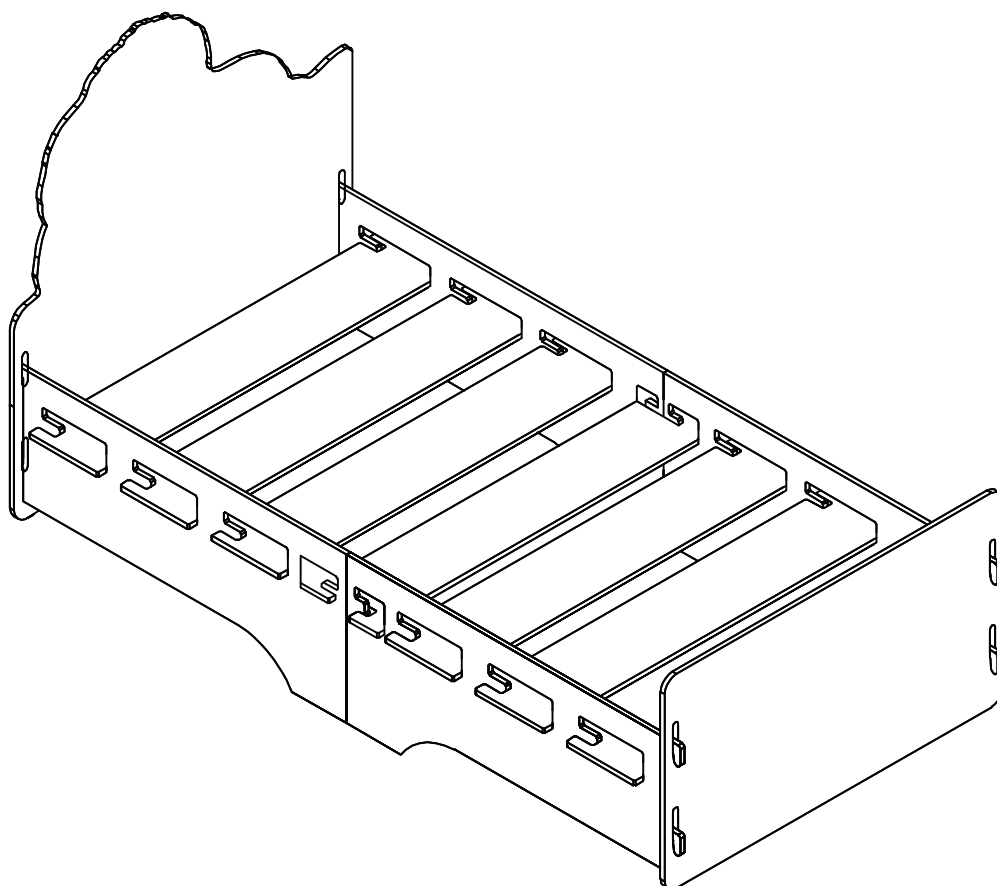


KIDSAW®

PUZZLE FURNITURE

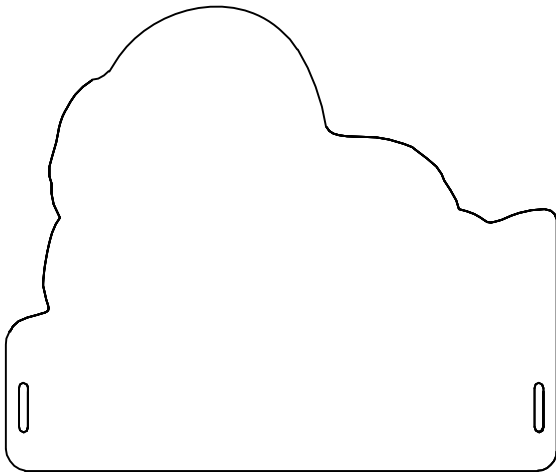


GIGANOTSAURUS single bed

ASSEMBLY INSTRUCTIONS

WWW.KIDSAW.CO.UK

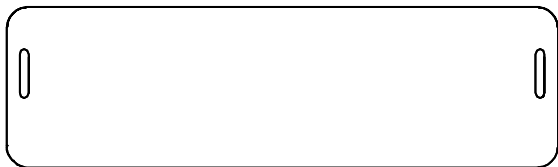
A) List of parts



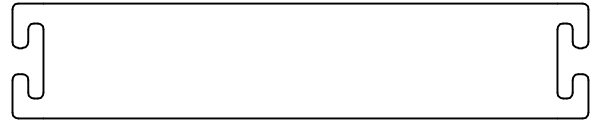
A) Headboard x 1 pc



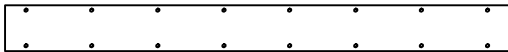
D) Footboard x 1 pc



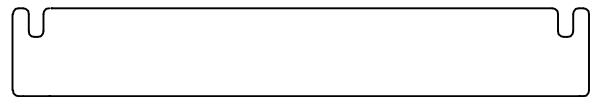
B) Lower part of Headboard x 1 pc



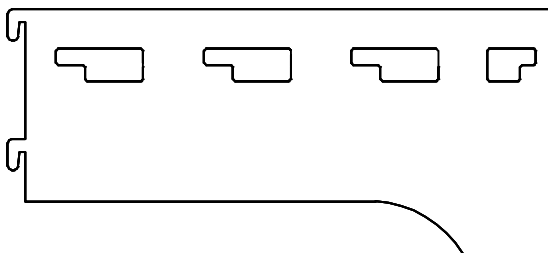
E) Central support x 1 pc



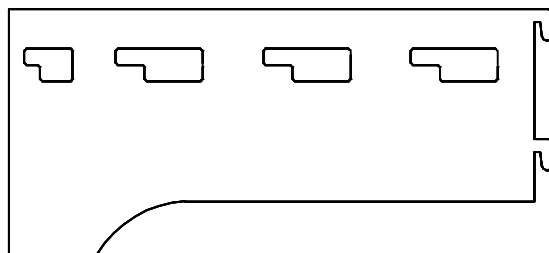
C) Joint Support on headboard x 1 pc



F) Slats x 6 pcs



G) Left side rail x 2 pcs



H) Right side rail x 2 pcs



I) Wooden Dowel x 4 pcs

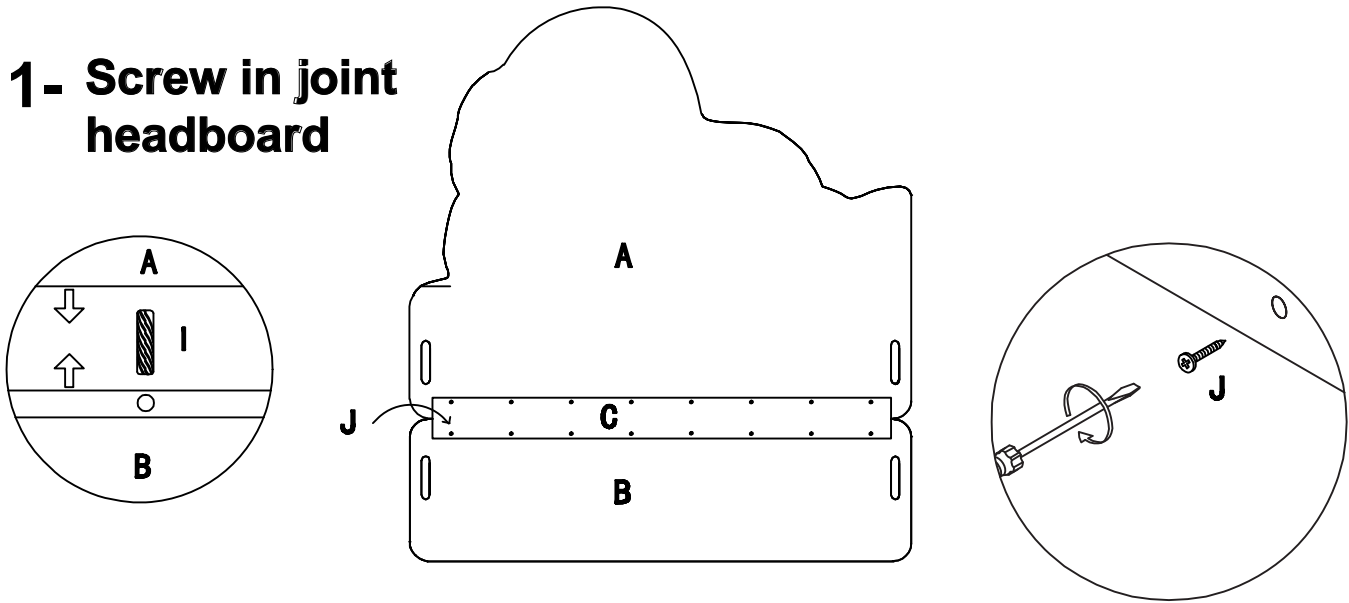


J) Screw M4x18mm
x 16 pcs

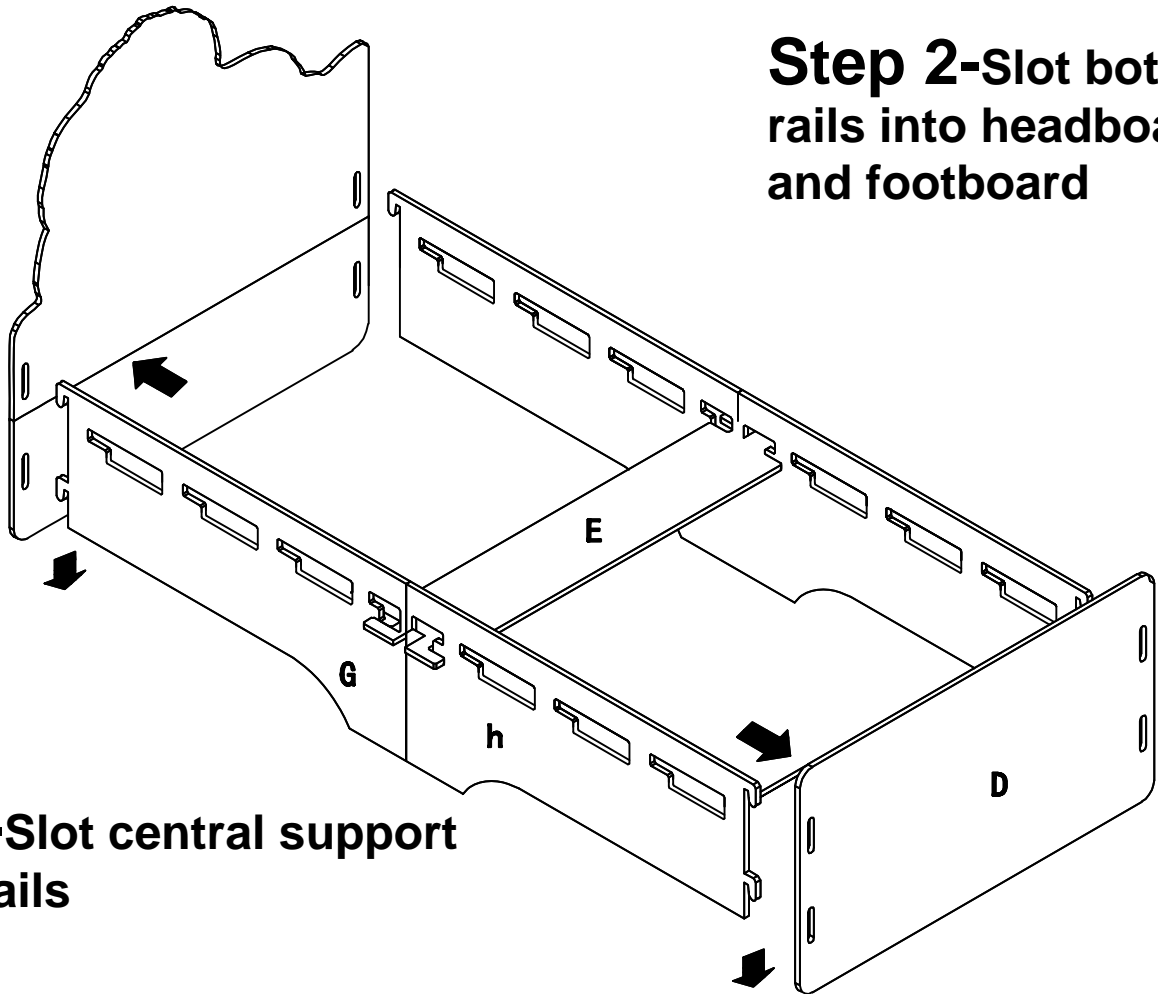
B)Steps to Assembly

ADULT ASSEMBLY REQUIRED

Step 1- Screw in joint headboard



Step 2-Slot both side rails into headboard and footboard

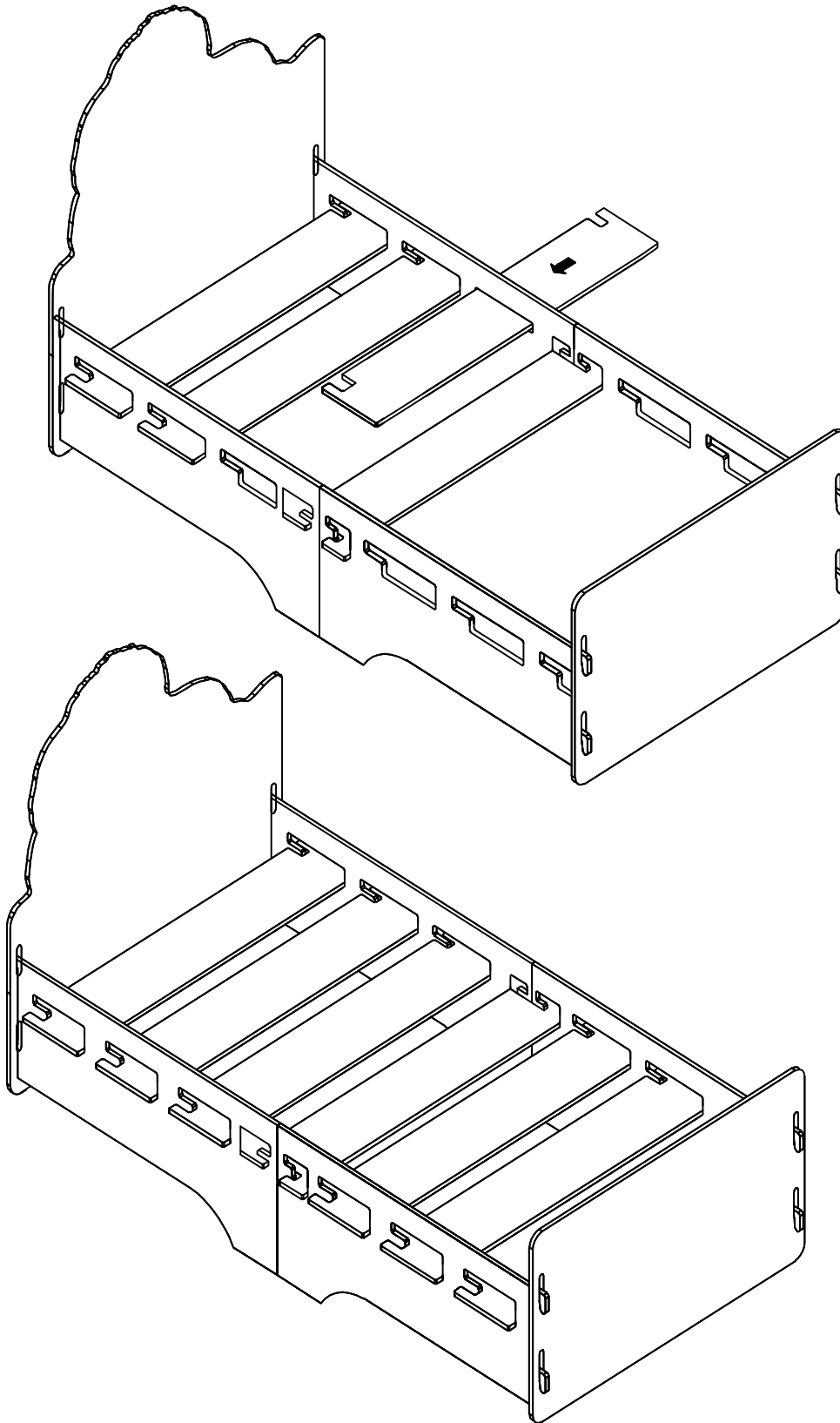


Step 3-Slot central support on side rails

B)Steps to Assembly

ADULT ASSEMBLY REQUIRED

Step 4 - Insert slats
onto rail rails



ANY QUESTIONS? GIVE US A CALL DIRECT

KIDSAW PUZZLE FURNITURE is designed and distributed by kidsaw limited,UK.
For any queries, missing parts, comments or suggestions on the product, please call our
customer support at +44 (0) 116 2519551 during Monday - Friday 9:00 a.m. to 4:00 p.m. ;
Or, mail to 47-55 Northgate Street, Leicester, LE3 5BZ; Or, email to support@kidsaw.co.uk.
Thank you for purchasing KIDSAW PUZZLE FURNITURE

KIDSAW
PUZZLE FURNITURE
ASSEMBLY INSTRUCTIONS