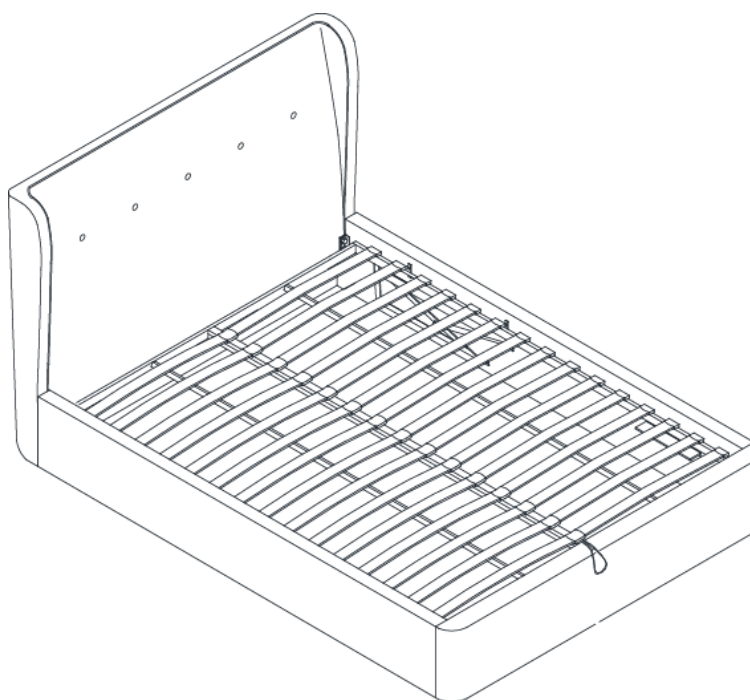


Dreams

Cooper Ottoman King Bed

Assembly Instructions



Minimum No.of people recommended to assemble this product:

2

Approx assembly time:

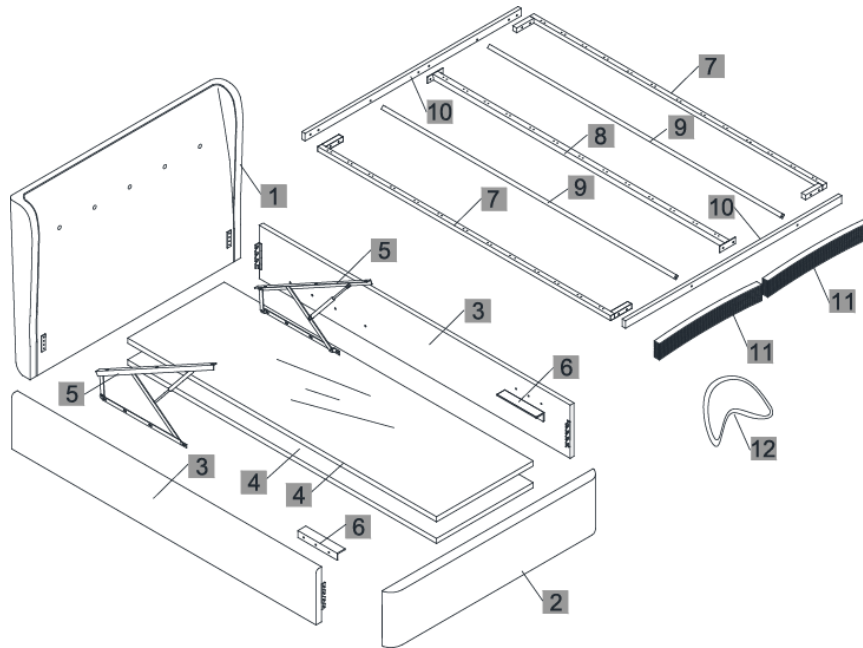
1 hour

Before you Start, here are some helpful advices.

1. We suggest you spend a short time reading through this leaflet and then follow the simple step by step instructions.
2. If you follow the instructions carefully the end result should be worth the effort.
3. Do not discard any of the packaging until you have checked that you have all the parts and the pack of fittings.
4. Assemble this product on a carpet.
5. To ensure an easier assembly, we strongly advise that all fittings are only finger tightened during initial assembly. Only upon completion of the. Assembly should all fixing points be fully tightened.
6. We recommend a periodic check on all fixing points to make sure they remain fully tightened.
7. Keep glue and fittings out of children's reach.

In the unlikely event that this product has missing or damaged parts, please call 03442 920000 to obtain spares

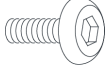
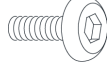









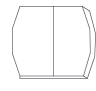
PARTS



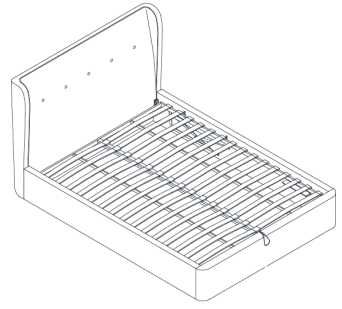
NO. PART LIST

NO.	PART LIST	QTY
(1)	HEADBOARD	1
(2)	FOOTBOARD	1
(3)	SIDE RAILS (R&L)	2
(4)	BOTTOM BOARDS	2
(5)	GAS LIFT (R&L)	2
(6)	SIDE RAIL SUPPORT	2
(7)	RAILS (R&L)	2
(8)	CENTER RAIL	1
(9)	CENTER RAILS	2
(10)	TUBING SLATS	2
(11)	SLATS	32
(12)	FABRIC PULL HANDLE	1

Fittings

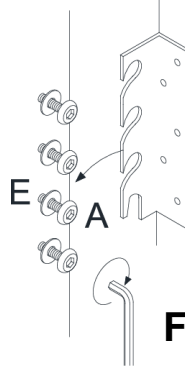
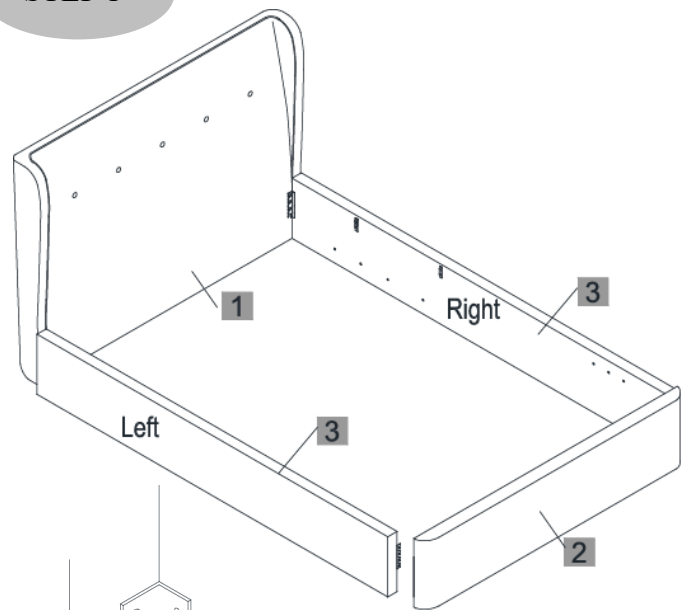
A	 M8×20mm×16pcs
B	 M6×25mm×12pcs
C	 M8×30mm×6pcs
D	 M6×40mm×18pcs
E	 M4Allen key × 1pc
F	 M5Allen key × 1pc
H	 11Spanner × 1pc
I	 M8 Washer x22pcs
J	 M6 Washer x36pcs
K	 M6 NUT x6pcs
L	 Side Cap x32pcs
M	 Centre Cap x 16pcs

ASSEMBLY



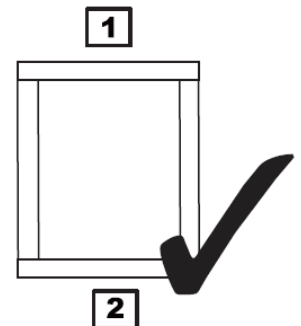
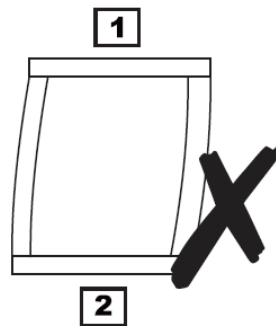
(1). Use bolt (A), Washer (I) to fix the Side rails **3** to Headboard **1** and Footboard **2** by using Spanner (F).

STEP 1

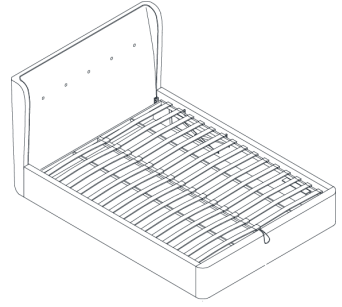


MAKE CERTAIN THE BED IS SQUARED UP, AS SHOWN ON THE RIGHT.

Once all four corners are located, make sure the bed is still square as in the sketch, then tighten all the bolts 100% using Allen key (D).

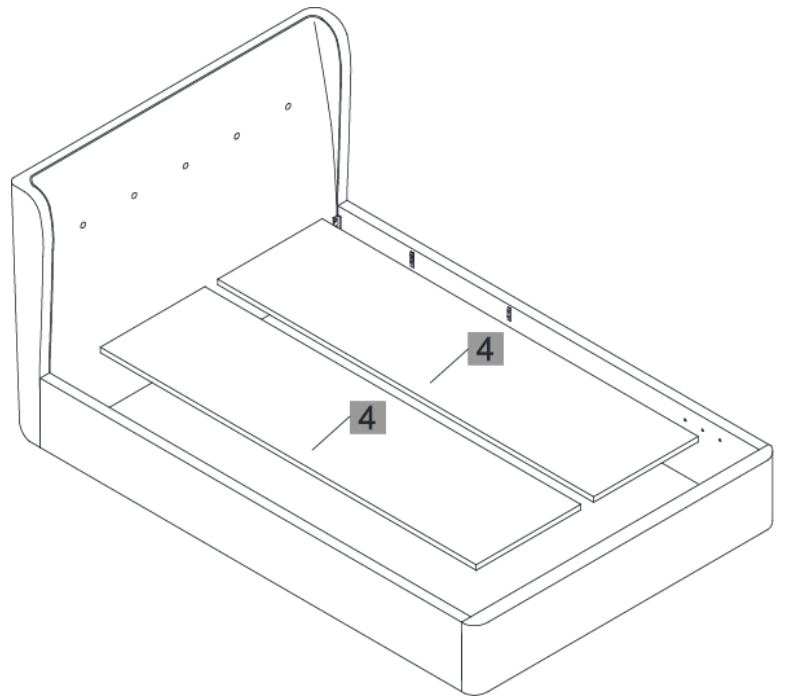


ASSEMBLY

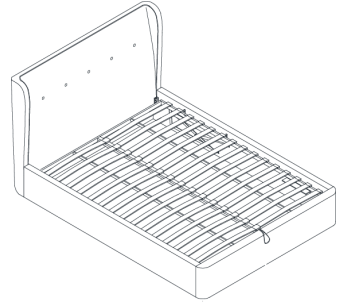


(1). Attach Bottom Boards **4**.

STEP 2



ASSEMBLY



(1). loosen the nut, then fix the gas lift.

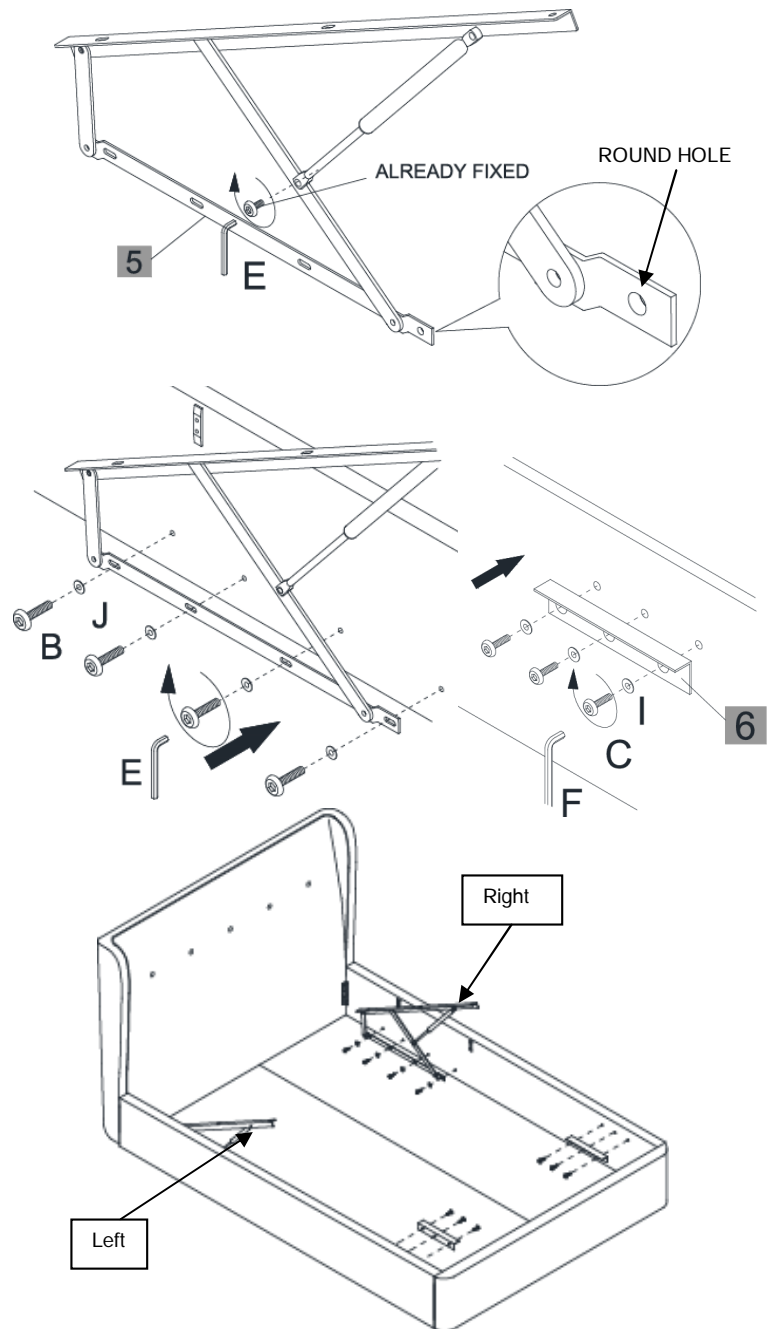
(2). fix the GAS Lifts **5** to Side Rail **3** by using Allen key(E) . Bolts fixing should be in order sequence: fit the round hole first, then fit others.

(3). Use bolt (B) with Washer (J) to fix the Gas lift to Side Rail support by using Allen key(E) .

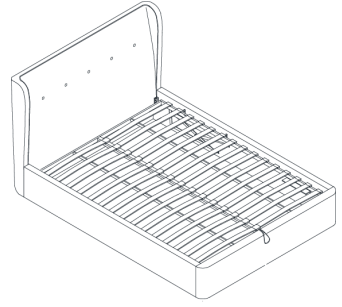
(4). Use bolt (C), Washer (I) to fix the Side rail support **6** to Side Rail **3** by using Allen key(F) .

NOTE: Please fully tighten all of the screw before next step.

STEP 3



ASSEMBLY

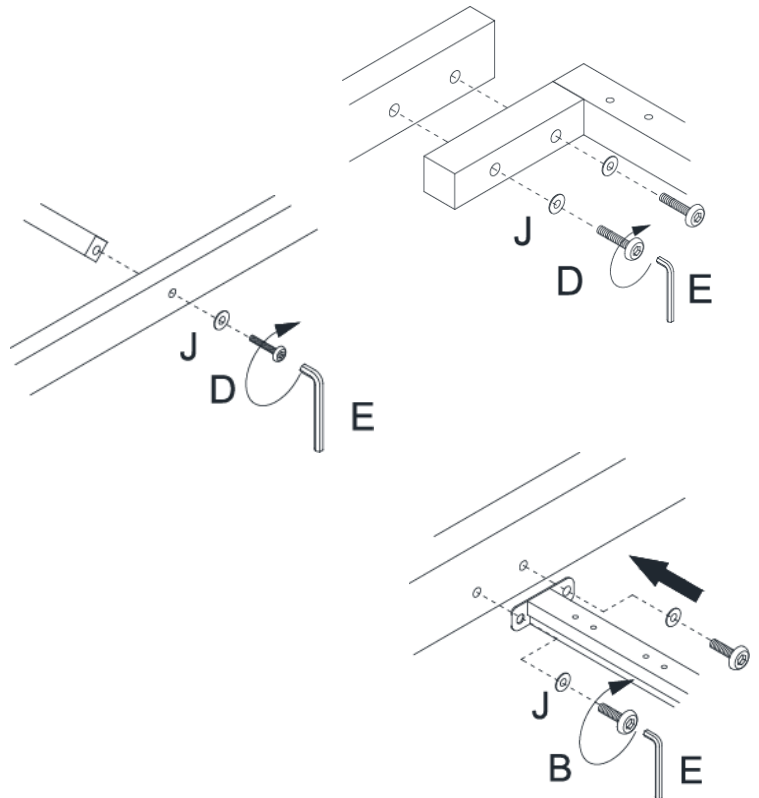
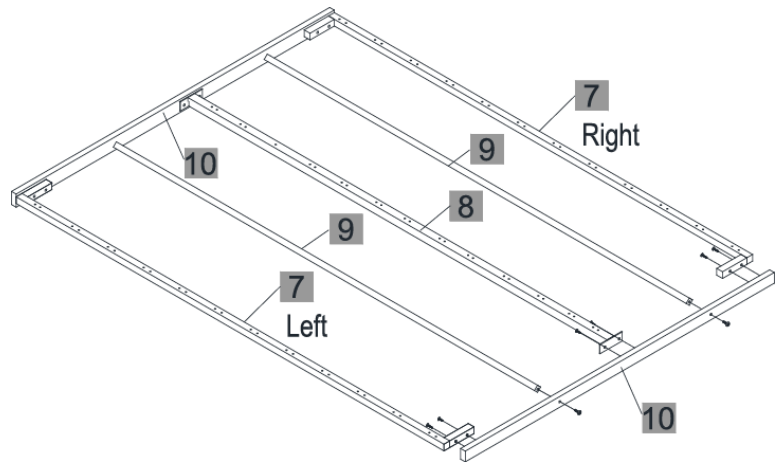


1). Use bolt (B)(D), with Washer (J) to fix the Center Rail 8 9 to Tubing Slats 10 by using Allen key(E) .

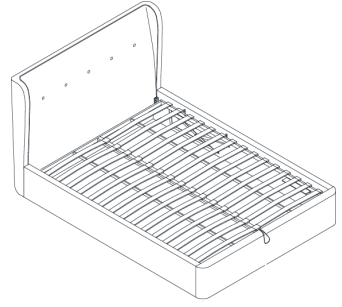
2). Use bolt (D), with Washer (J) to fix the L&R Rails 7 to Tubing Slats 10 by using Allen key(E) .

3).make sure holes for slats caps are facing upwards

STEP 4

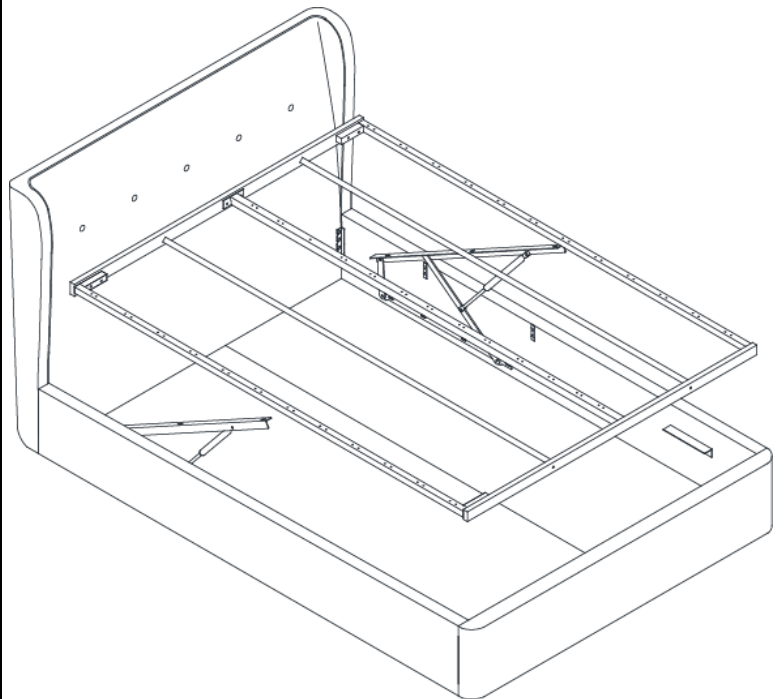
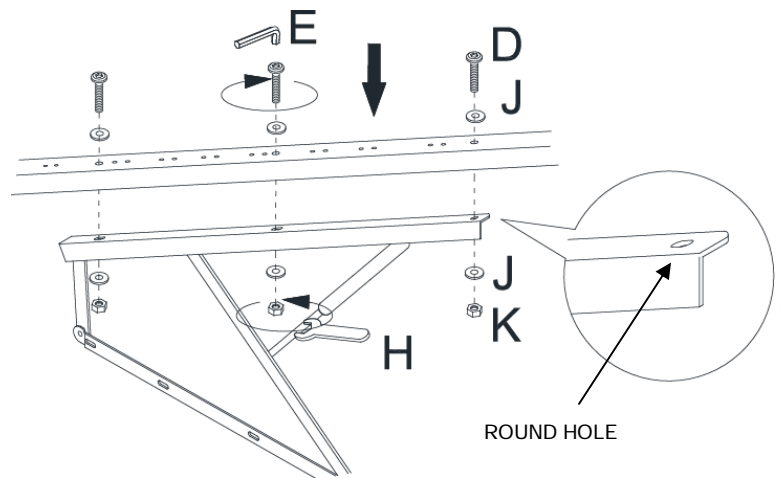


ASSEMBLY

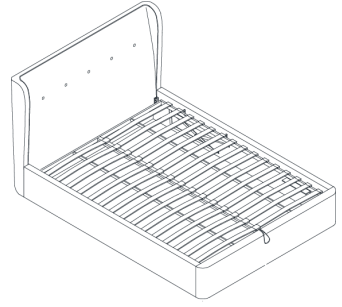


(1). Use bolt (D), Washer (J) to fix the slat frame to GAS Lifts 5 by using Allen key (E) and Spanner (H) . Bolts fixing should be in order sequence: fit the round hole first, then fit others.

STEP 5

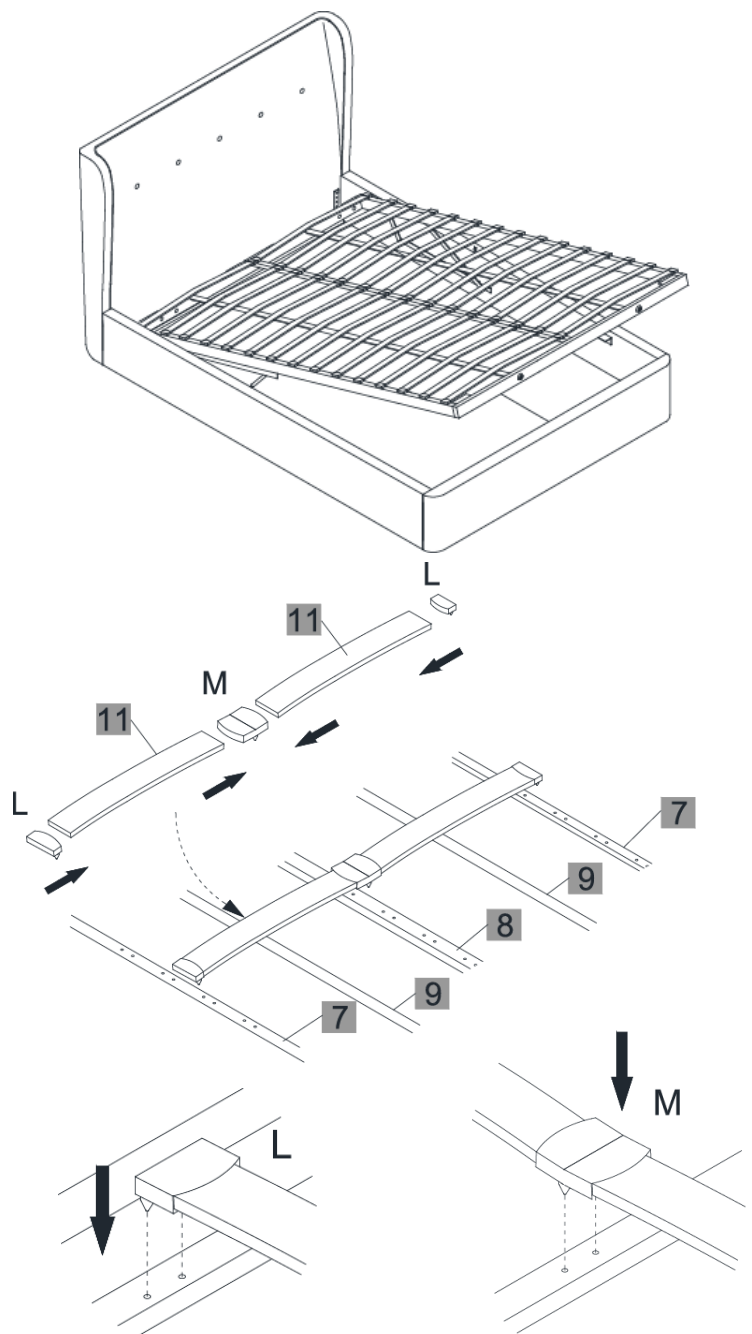


ASSEMBLY

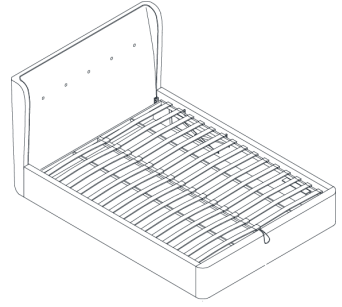


(1). Insert Slats **11** to Side Cap (L) & Centre Cap (M) , afterwards insert the Cap to the holes of 2 x L&R Rail **7** , Center Rail **9**

STEP 6



ASSEMBLY



(1). Attach the Fabric Pull Handle **12** at the end of slat frame, see picture beside

STEP 7

