



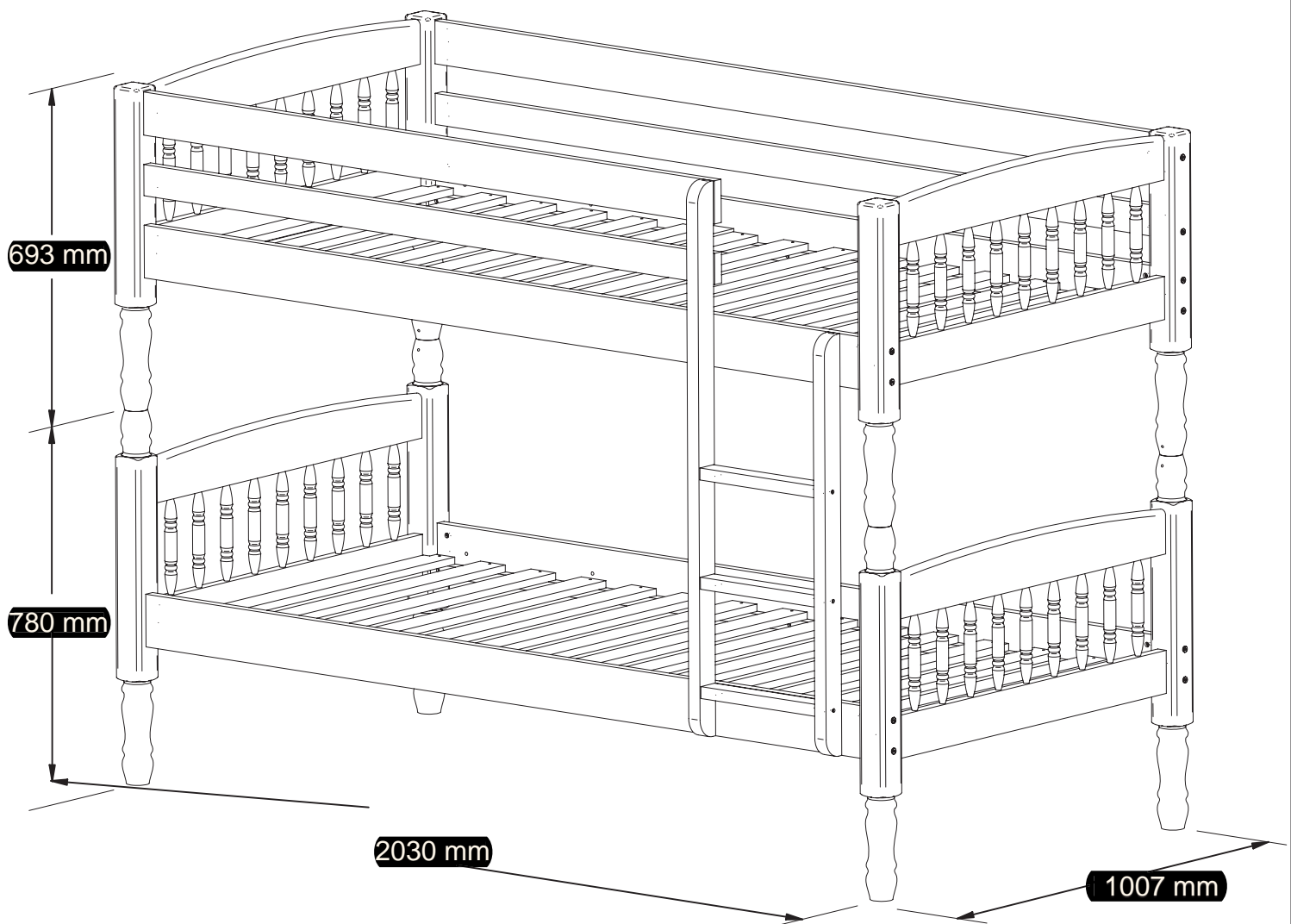
COLORADO BUNK BED

413-00146

Assembly Instructions

Date: 09-10-2008

IMPORTANT - READ CAREFULLY - RETAIN FOR FUTURE REFERENCE



Minimum No. of people recommended to assemble this product:

2

Approx assembly time:

2½
hours

Do not throw away any of the packing or the instruction book until you have checked all the components and fittings and the furniture is fully assembled.

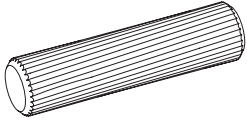
In the unlikely event that this product has missing or damaged parts, please call 0870 3333 612 to obtain spares.

Components parts and fittings contained in the box

Please sort out all parts before you begin to assemble the item. This to make sure you always use the correct part.

Fittings

A 29 pcs. Dowel - Ø10 x 40mm



305 / 0003

B 22 pcs. Barrel nut - M6 x 13mm



303 / 0004

C 1 pc. Allen key 4mm



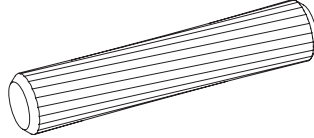
309 / 0002

D 22 pcs. Bolt - M6 x 110mm



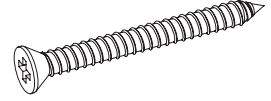
304 / 0060

E 4 pcs. Dowel - Ø12 x 60mm



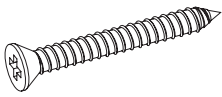
305 / 0018

F 8 pcs. Screw - Ø3.5 x 35mm



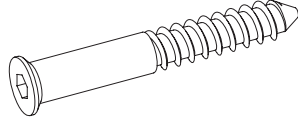
318 / 0001

G 60 pcs. Screw - Ø3.5 x 25mm



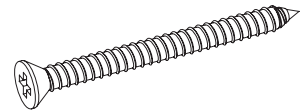
318 / 0002

H 7 pcs. Screw - Ø6 x 50mm



308 / 0001

I 6 pcs. Screw - Ø4 x 50mm



302 / 0035

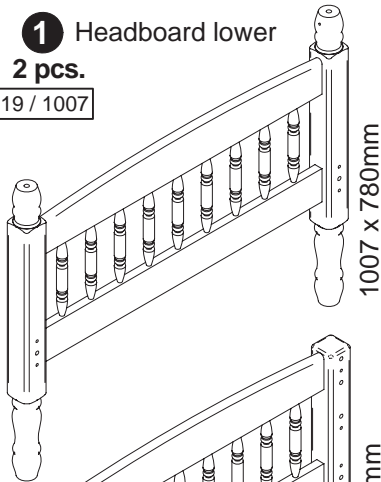
Hazard Warning !

Keep small components out of the reach of children.

Parts

1 Headboard lower
2 pcs.

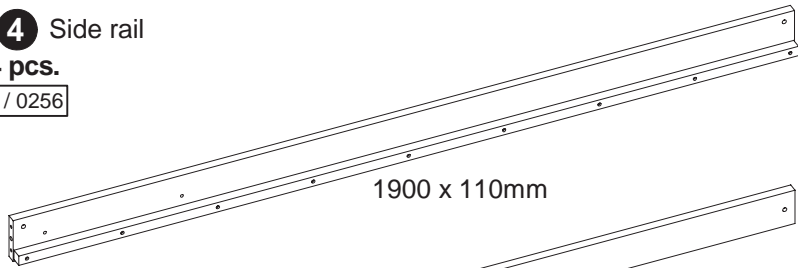
219 / 1007



1007 x 780mm

4 Side rail
4 pcs.

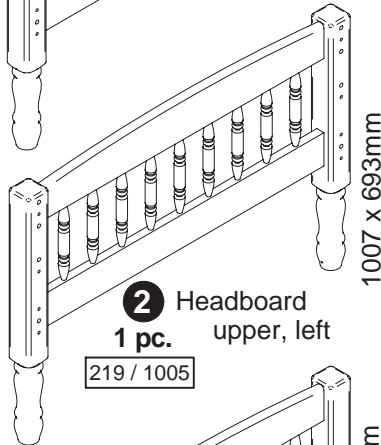
114 / 0256



1900 x 110mm

2 Headboard
1 pc.
upper, left

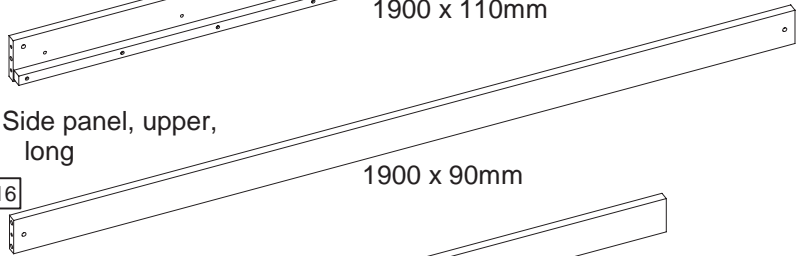
219 / 1005



1007 x 693mm

5 Side panel, upper,
1 pc. long

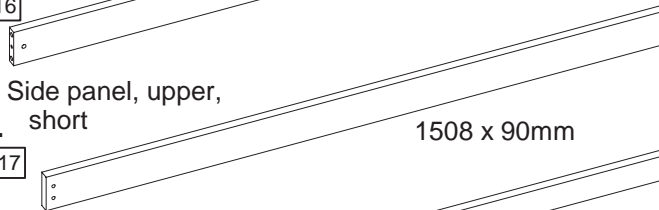
114 / 1016



1900 x 90mm

6 Side panel, upper,
1 pc. short

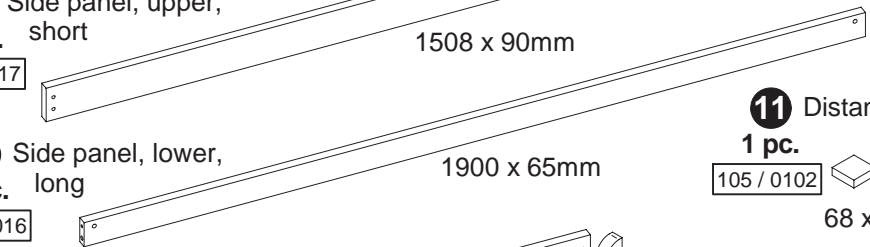
114 / 1017



1508 x 90mm

7 Side panel, lower,
1 pc. long

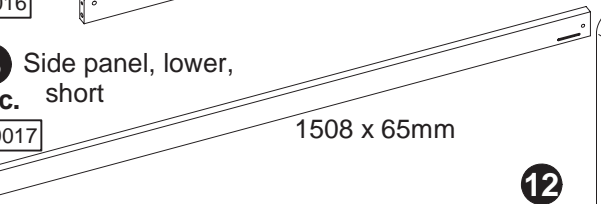
114 / 9016



1900 x 65mm

8 Side panel, lower,
1 pc. short

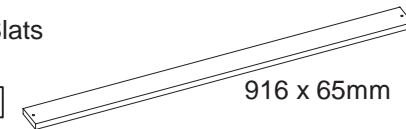
114 / 9017



1508 x 65mm

9 Slats
26 pcs.

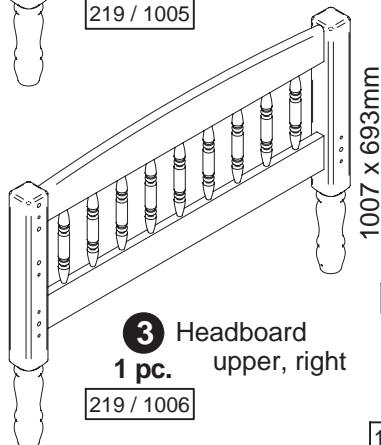
114 / 0194



916 x 65mm

3 Headboard
1 pc.
upper, right

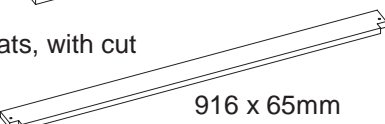
219 / 1006



1007 x 693mm

10 Slats, with cut
4 pcs.

114 / 0203



916 x 65mm

11 Distance brick
1 pc.

105 / 0102

68 x 68mm

Side left, ladder

Side right, ladder

13
1 pc.

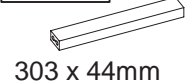
220 / 9003



880 x 50mm

14 Step
ladder
3 pcs.

220 / 0014



303 x 44mm

12
1 pc.

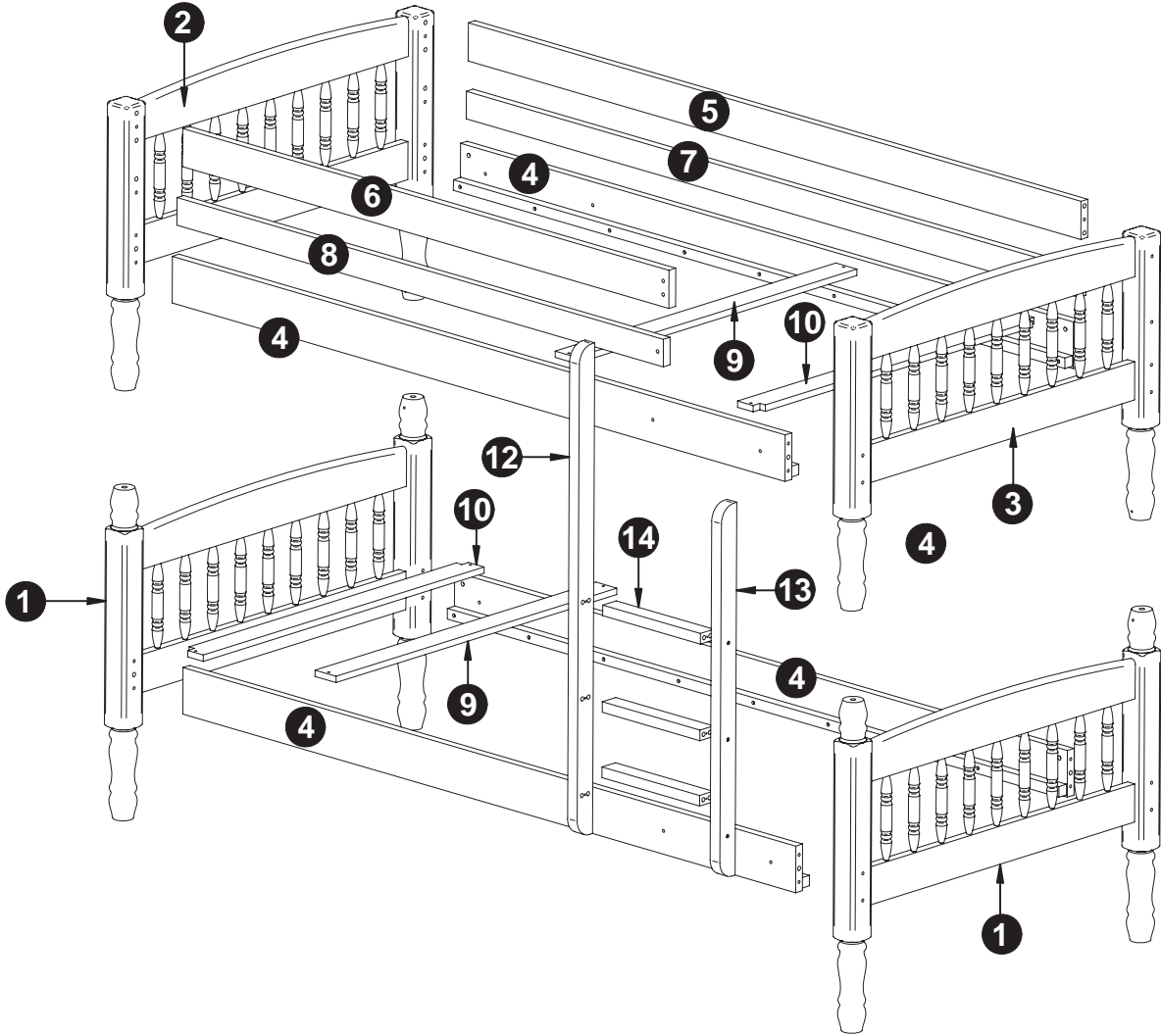
220 / 1003



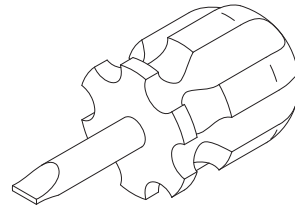
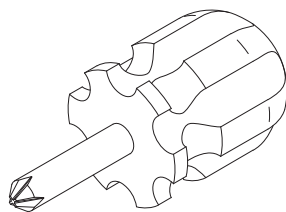
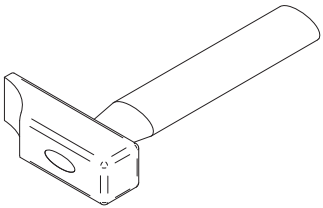
1158 x 50mm

Key diagram and tools needed.

Key diagram.

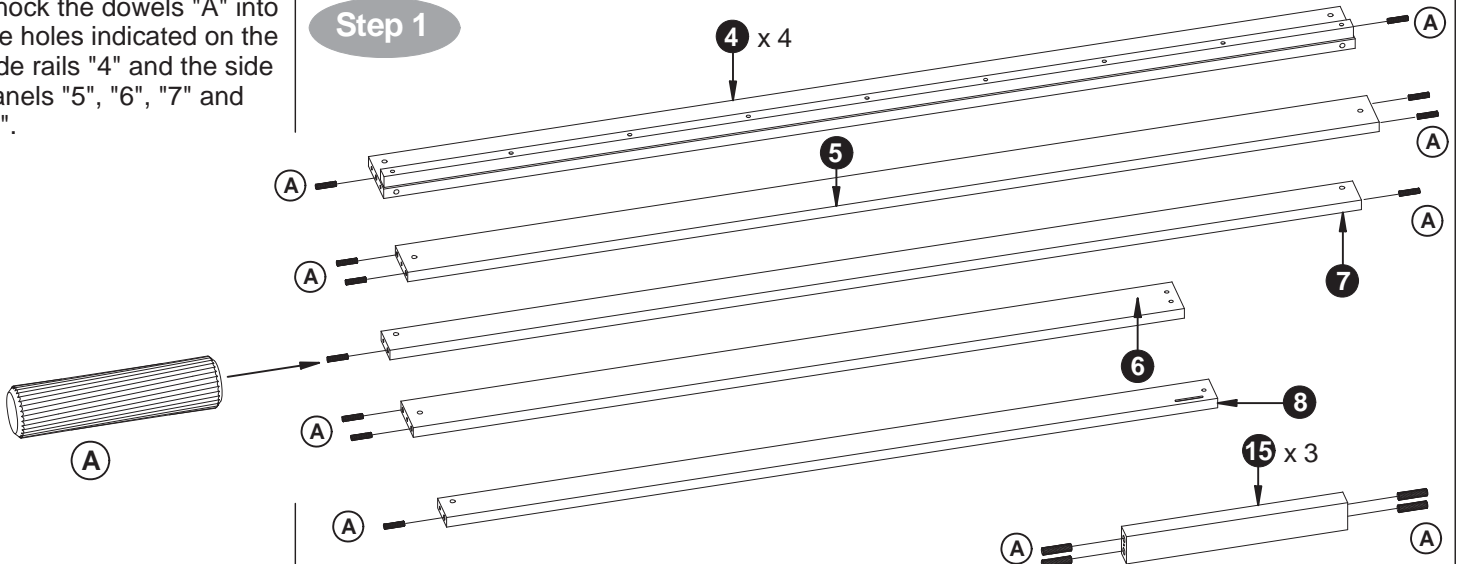


Tools needed.

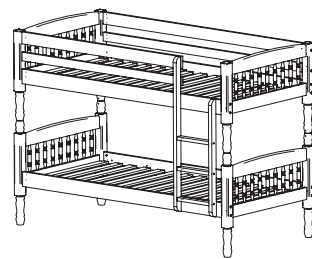


Knock the dowels "A" into the holes indicated on the side rails "4" and the side panels "5", "6", "7" and "8".

Step 1



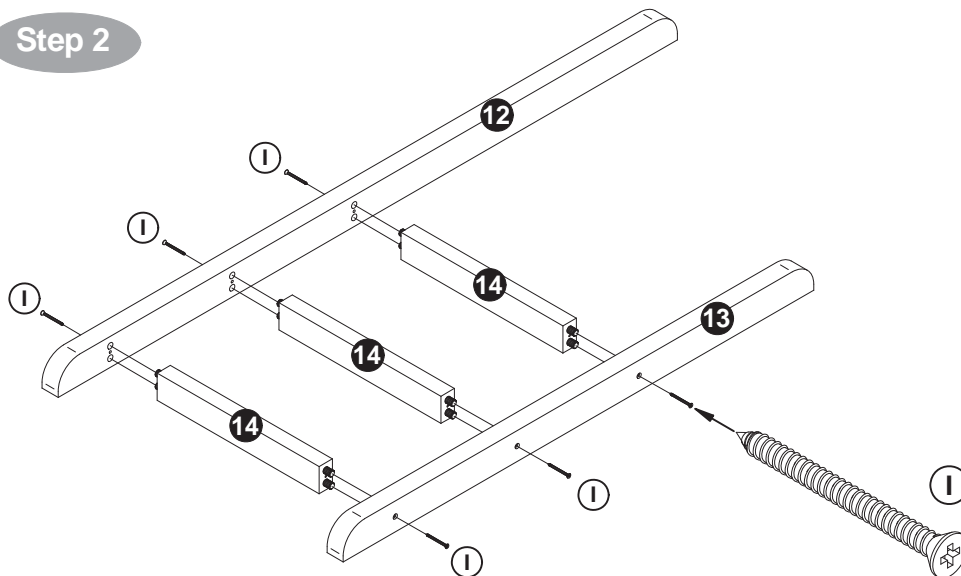
Assembly



Press the side "12" and "13" onto the steps "14" as indicated.

Fix the sides using screws "I" into the holes indicated.

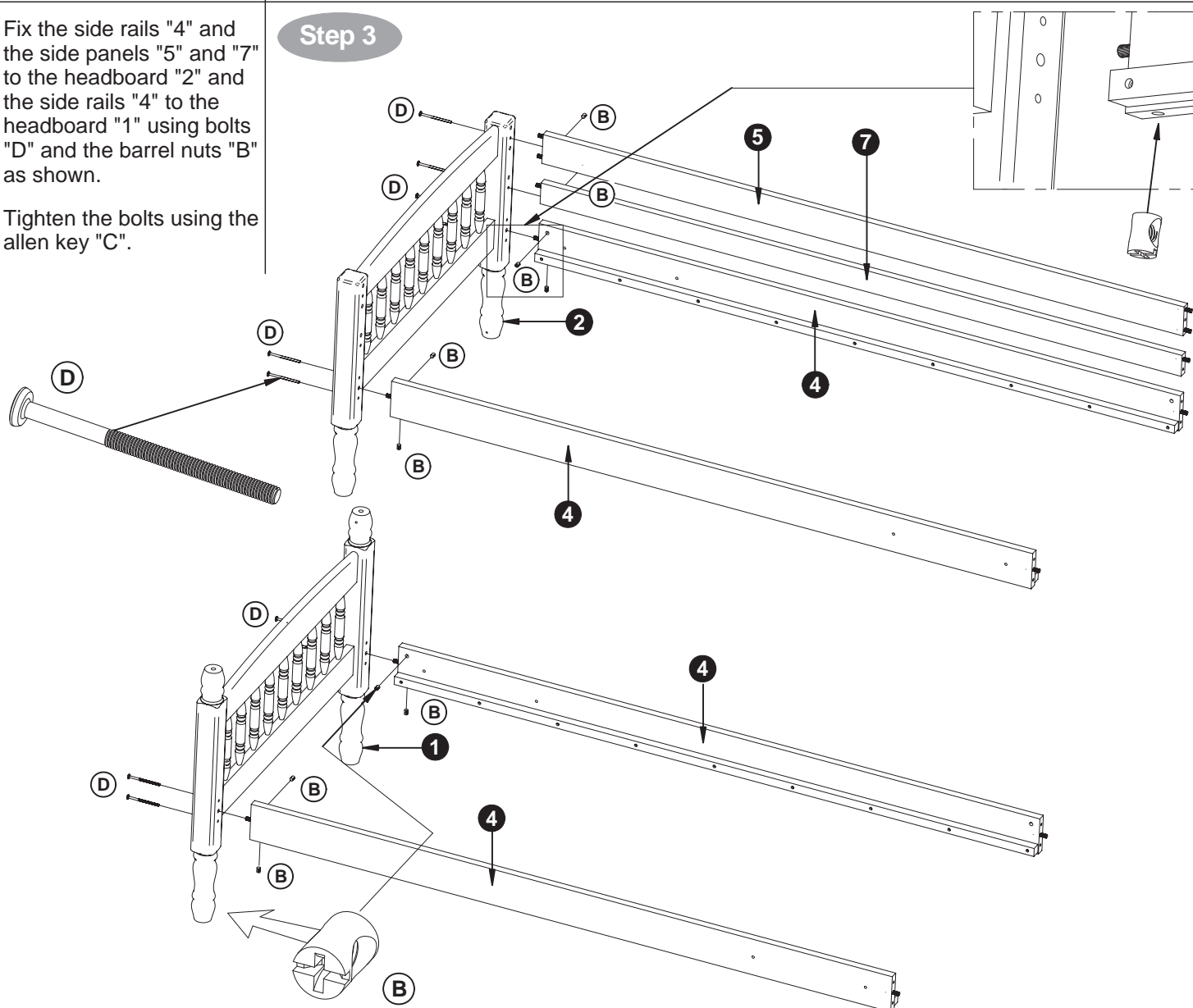
Step 2



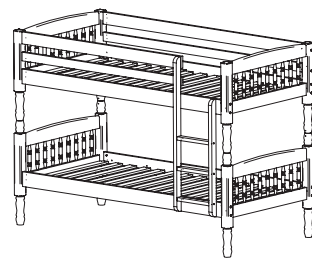
Fix the side rails "4" and the side panels "5" and "7" to the headboard "2" and the side rails "4" to the headboard "1" using bolts "D" and the barrel nuts "B" as shown.

Tighten the bolts using the allen key "C".

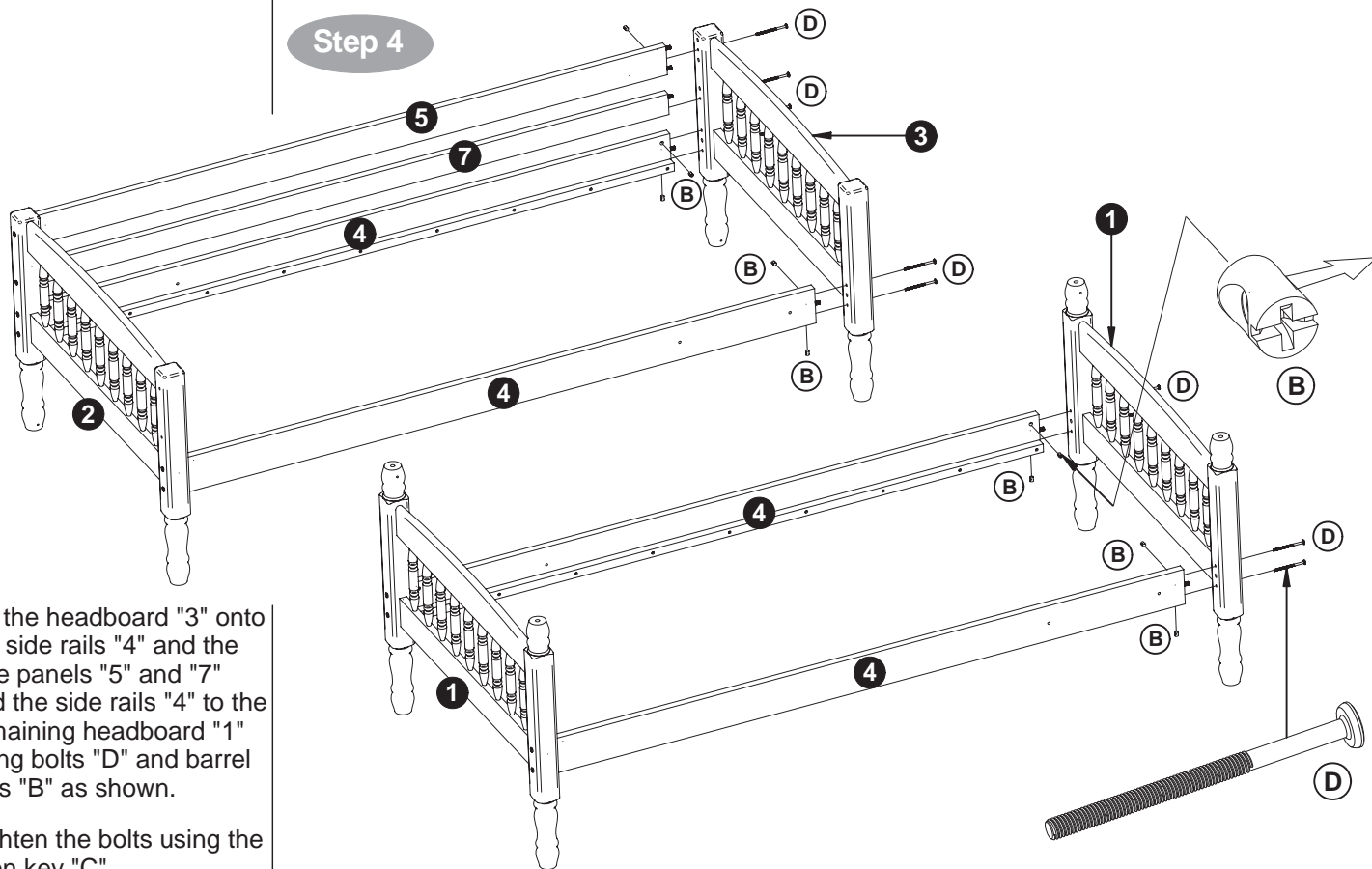
Step 3



Assembly



Step 4



Fix the headboard "3" onto the side rails "4" and the side panels "5" and "7" and the side rails "4" to the remaining headboard "1" using bolts "D" and barrel nuts "B" as shown.

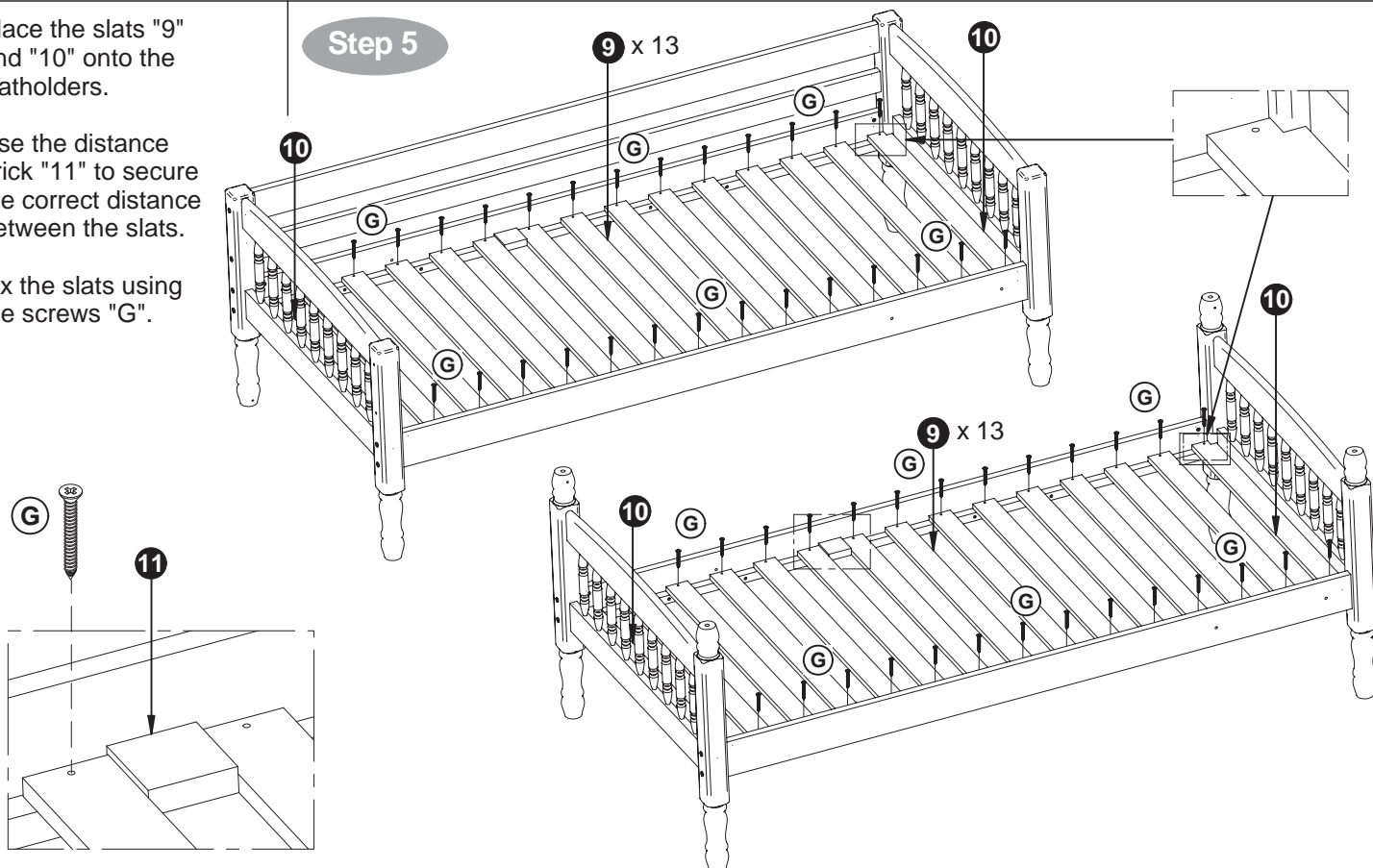
Tighten the bolts using the allen key "C".

Step 5

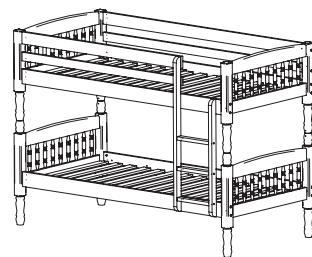
Place the slats "9" and "10" onto the slatholders.

Use the distance brick "11" to secure the correct distance between the slats.

Fix the slats using the screws "G".



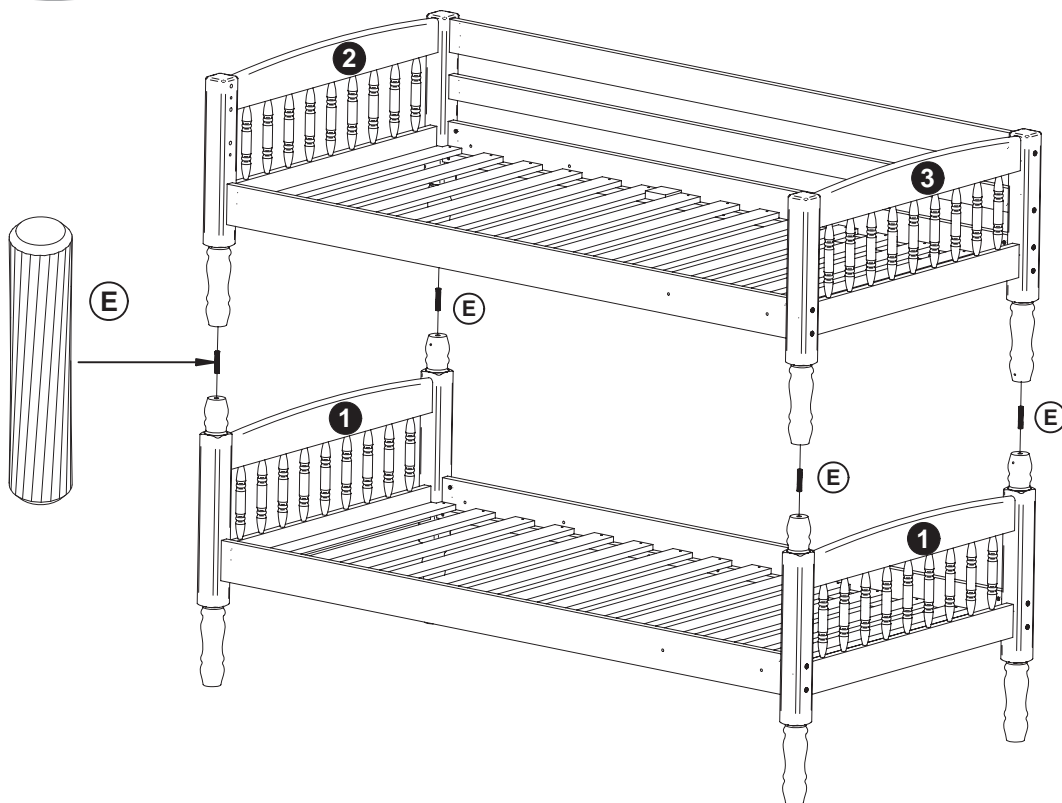
Assembly



Knock the dowels "E" into the holes indicated on the headboards "1".

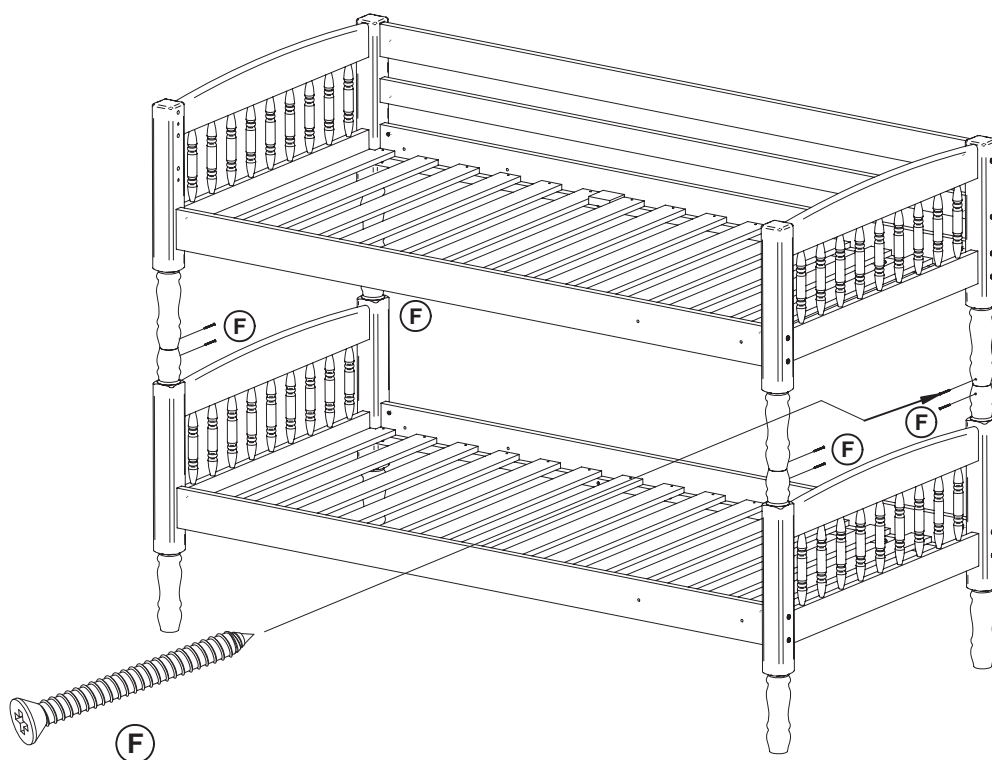
Place the upper bed as shown.

Step 6

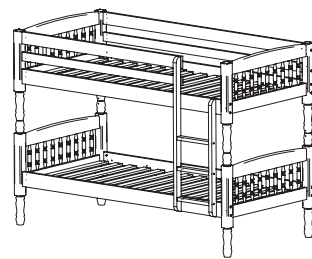


Secure the assembly using screws "F" into the holes indicated.

Step 7



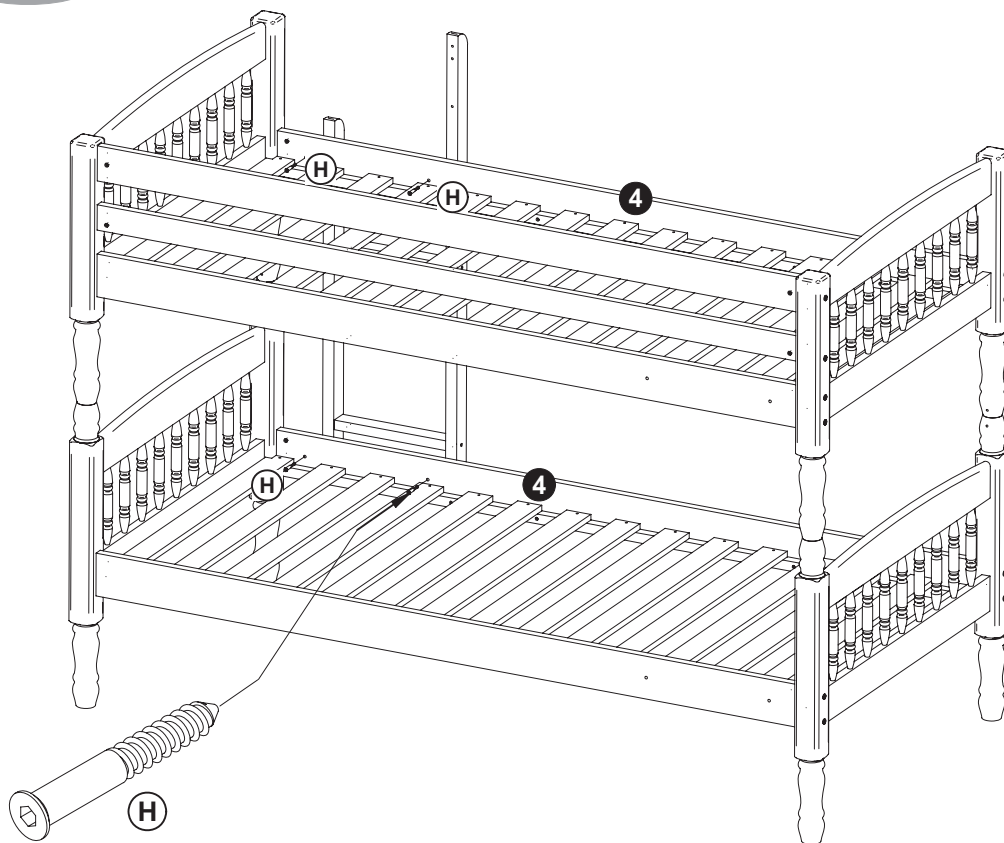
Assembly



Fix the ladder onto the side rails "4" using screws "H".

Tighten the screws using the allen key "I"

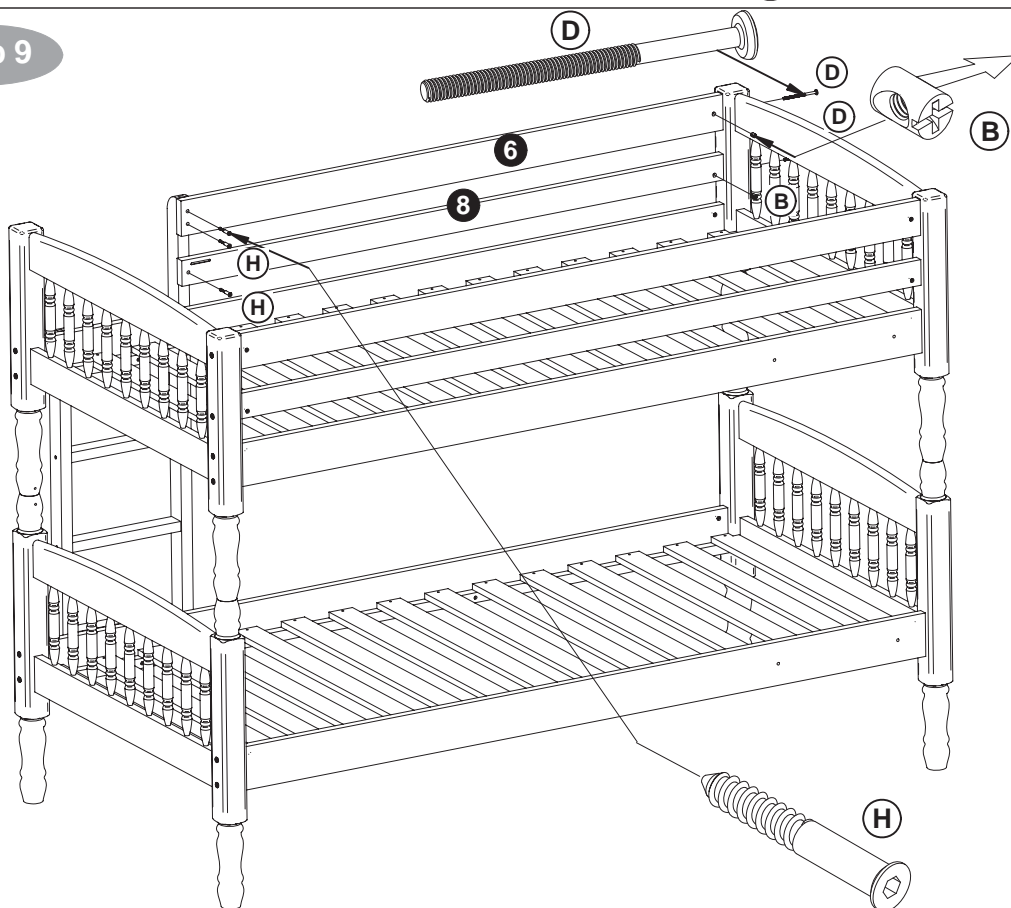
Step 8



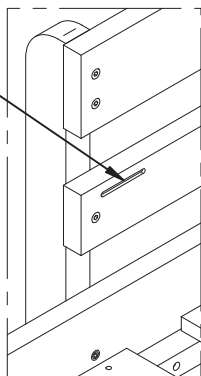
Place the side panels "6" and "8" onto the headboard "2" and the ladder and fix them onto the ladder using screws "H".

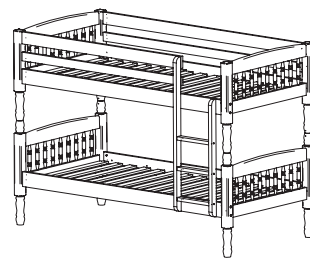
Finally fix the side panels onto the headboard using the barrel nuts "B" and the bolts "D".

Step 9



Note !
The top of the mattress **MUST NOT** exceed this marking.
(Max. high 177mm)





Dear customer.

IMPORTANT - READ CAREFULLY - RETAIN FOR FUTURE REFERENCE

This product complies with BS EN 747 - 1 : 2007 & BS EN 747 - 2 : 2007

The top surface of the mattress must not be above the line marked on the frame. (Max. high 177mm). The size of mattress should be : 920 x 1900 mm

Do not allow children under 6 years old to use the upper bunk.

Be aware of the danger of young children (under 6) falling from the upper bunk.

Bed should not be used if any structural part is broken or missing.

Children can strangle in items such as ropes, string, cords, harnesses and belts attached to or hung on a bunk bed / high bed.

Children can become trapped between the bed and the wall. To avoid risk of serious injury the distance between the top safety barrier and the wall shall not exceed 75mm or shall be more than 230mm.

Always ensure that the guardrails, ladder and other components are maintained in the proper position and are free from damage, and that all the fixing screws are tight.

Always use the ladder for entering and leaving the upper bunk.

Do not allow horseplay on or under the bed and prohibit jumping on the bed.

Use a nightlight as an added safety precaution for persons using the upper bunk.

Use guardrails on both long sides of the upper bunk.

Please note that the product you have purchased is a natural living timber.

Just like nature itself, wood varies in shape and colour. Knots, vein patterns, resin pockets and colour differences contribute to giving the piece of furniture its beauty and form a natural part of solid wood.

Although the tree has been cut down and dried, it is still alive and therefore will react to high and low temperatures, light, humidity, drought and time.

In cold and dry periods, the wood contracts which may lead to small cracks in the piece of furniture. The reverse happens in warm and humid periods where the wood expands and this may result in slight unevenness.

The colour of the wood also changes with time, particularly if the furniture is placed in a light place. This is a natural process and part of owning a piece of furniture made of solid wood.

Any flexing that has occurred during transport will re-correct itself once this product is correctly assembled.

Tighten all joints of furniture after six months. Please keep these instructions in a safe place for future use.