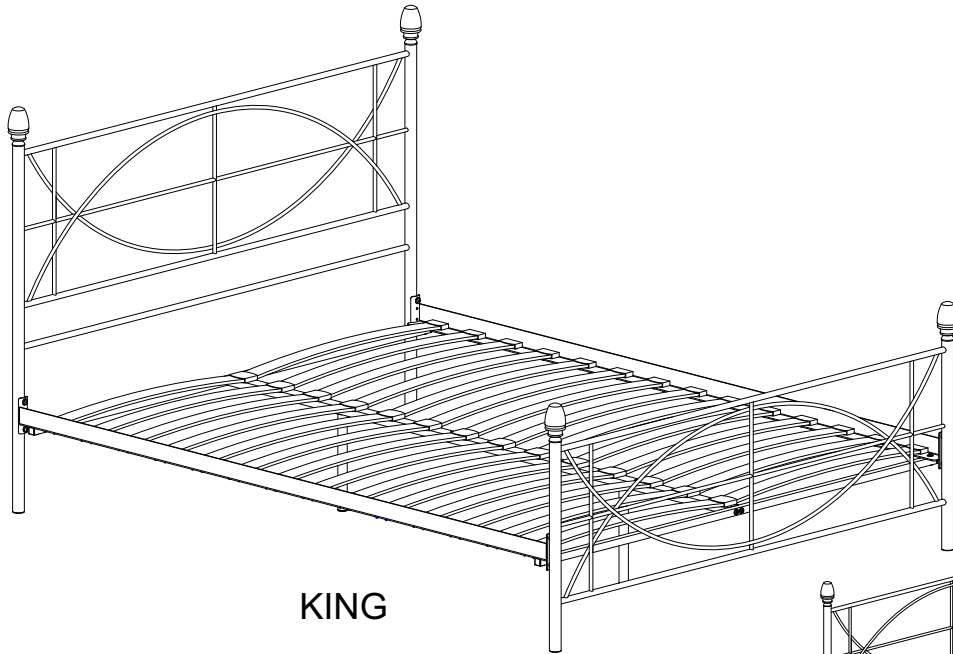




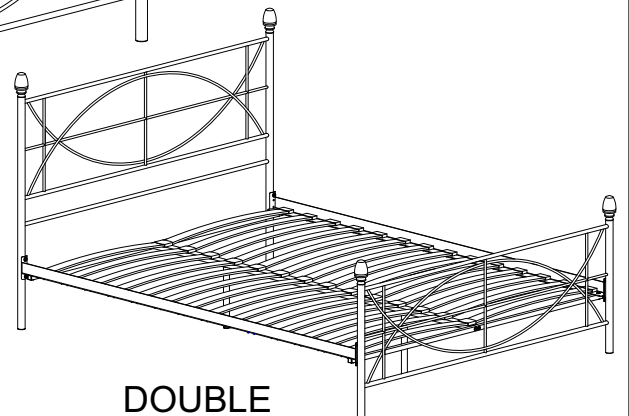
# CADIZ BED

211-01082 (DOUBLE)  
215-00997 (KING)

## Assembly Instructions



KING



DOUBLE

Minimum No. of people recommended to assemble this product:

2

Approx assembly time:

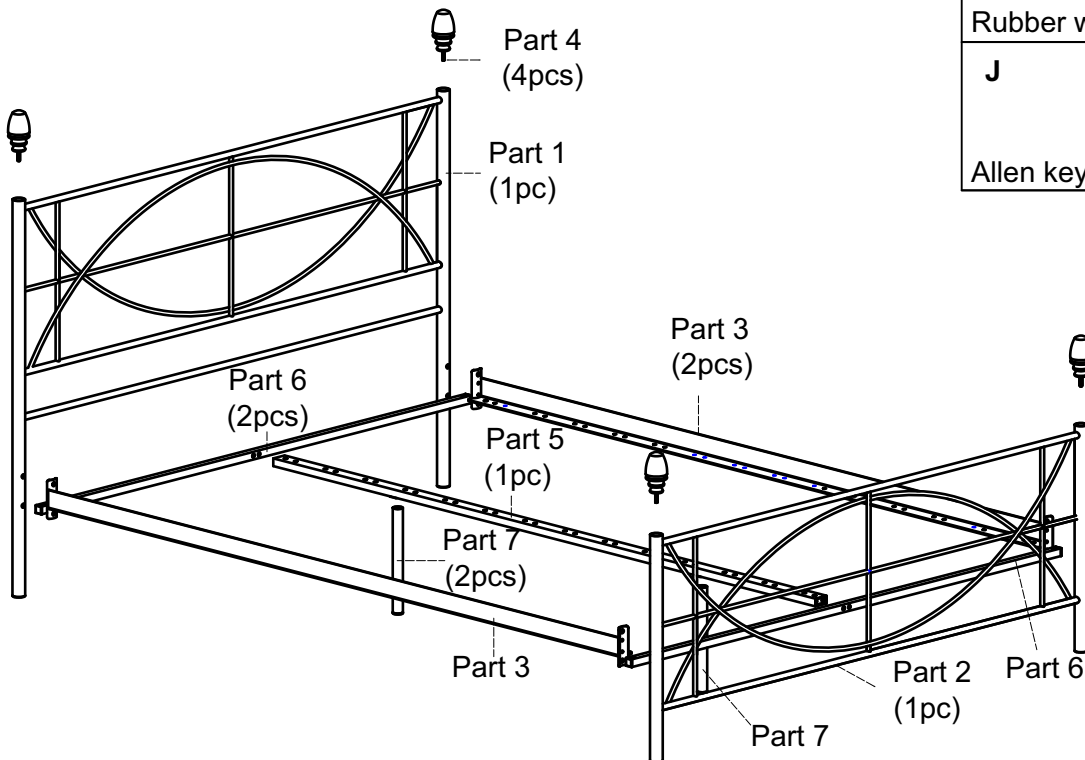
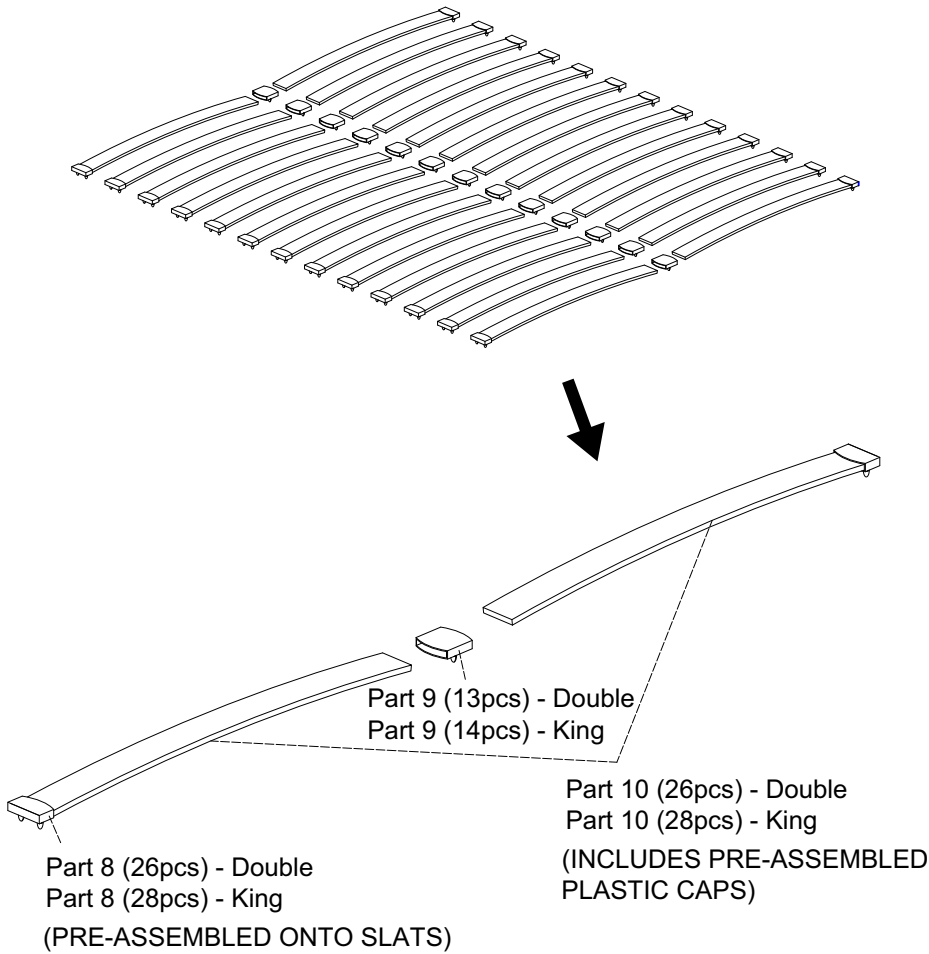
45 minutes

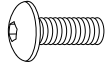
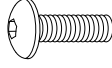
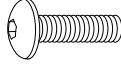
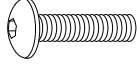
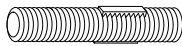

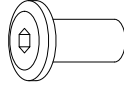
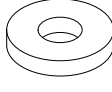
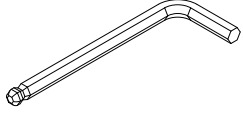
### Before you start, here is some helpful advice

1. We suggest you spend a short time reading through this leaflet and then follow the simple step by step instructions.
2. If you follow the instructions carefully the end result should be worth the effort.
3. Do not discard any of the packaging until you have checked that you have all the parts and the pack of fittings.
4. To ensure an easier assembly, we strongly advise that all fittings are only finger tightened during initial assembly. Only upon completion of the assembly should all fixing points be fully tightened.
5. We recommend a periodic check on all fixing points to make sure they remain fully tightened.
6. Keep glue and fittings out of children's reach.
7. In the unlikely event that this product has missing or damaged parts, please call 0844 292 0000, followed by selecting Option 4 to obtain spares.

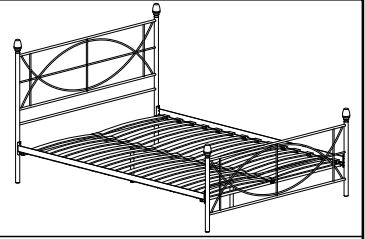
# Parts

# Fittings



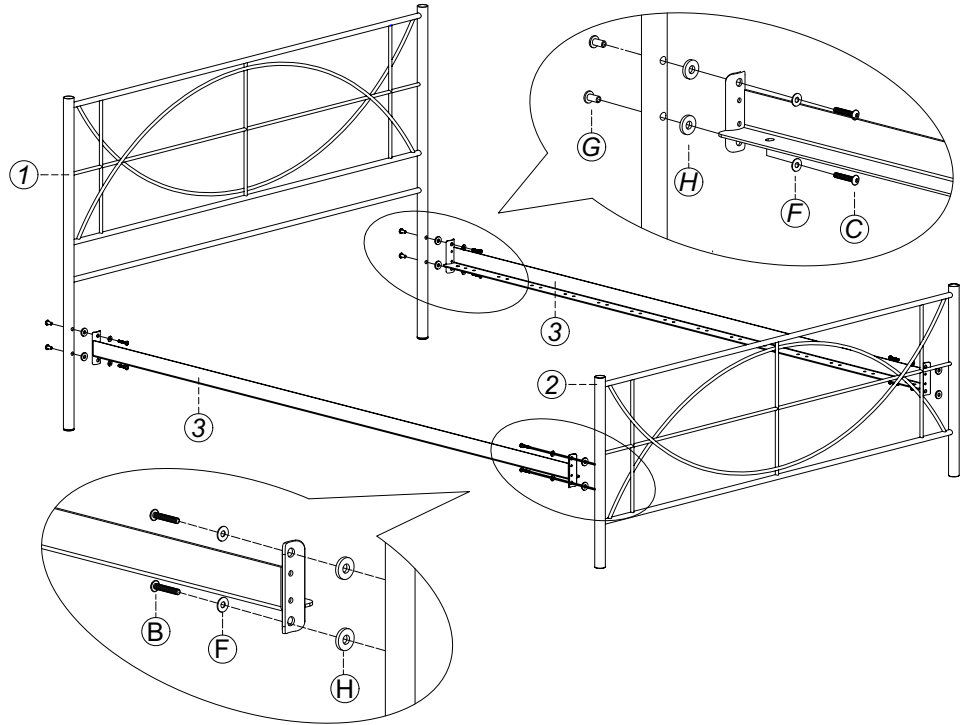
<b>A</b>		M6x13mm Allen screw	4pcs
<b>B</b>		M6x25mm Allen screw	4pcs
<b>C</b>		M6x27mm Allen screw	4pcs
<b>D</b>		M6x40mm Allen screw	4pcs
<b>E</b>		M6x25mm Threaded stud	2pcs
<b>F</b>		Washer-Ø16	16pcs
<b>G</b>		Nut	8pcs
<b>H</b>		Rubber washer	8pcs
<b>J</b>		Allen key	2pcs

# Assembly



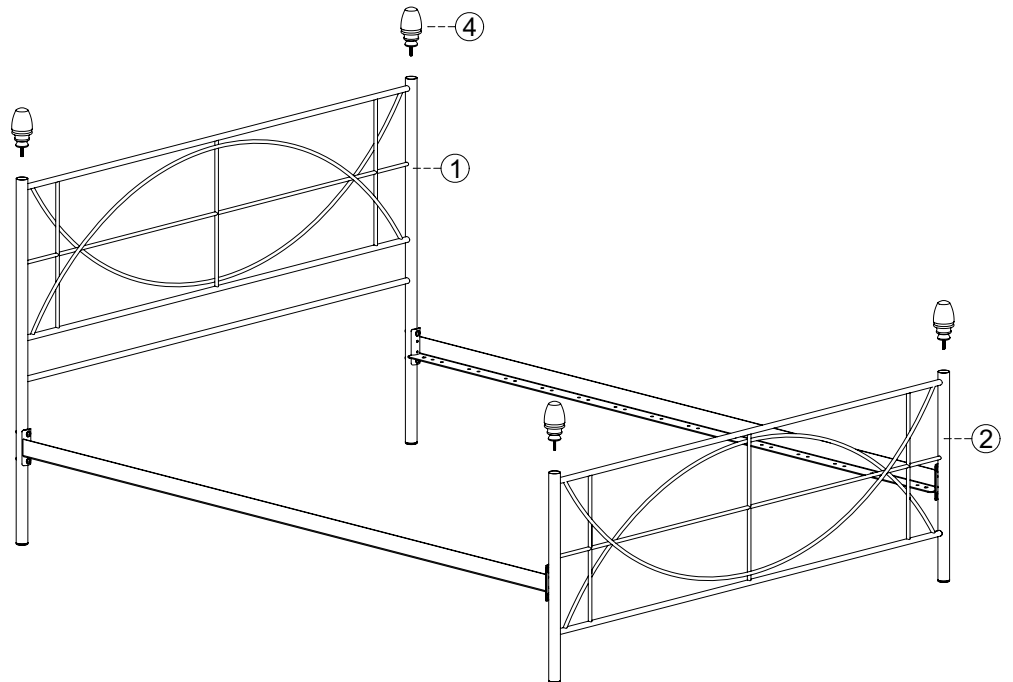
- 1) Assemble side rails ③ to headboard ① using fixings ④ ⑤ ⑥ and ⑦.
- 2) Assemble footboard ② to side rails using fixings ⑧ ⑨ and ⑩.

## STEP 1



- 1) Screw finials ④ into the headboard and footboard corner posts.

## STEP 2



- 1) Screw studs (E) into the underside of central support (5).

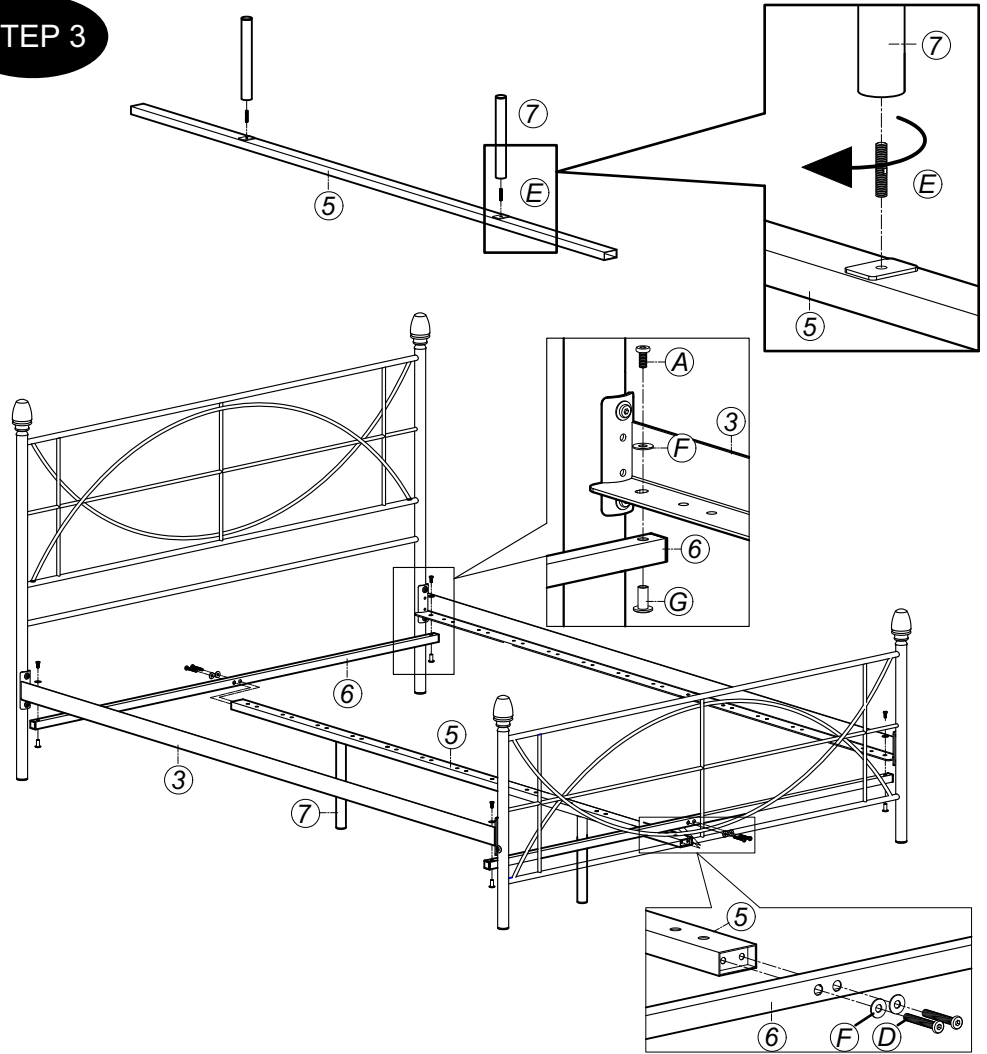
Screw support legs (7) onto the short studs and tighten.

- 2) Assemble end support (6) to the underside of side rails (3) using fixings (A) (F) and (G).

Repeat for both ends.

- 3) Assemble central support (5) in between end supports (6) using fixings (F) and (D).

### STEP 3



- 1) Fit wooden slats (10) into the side rails (3) as shown.

*Note:* Plastic caps (8) are already pre-assembled onto one end of wood slats (10).

- 2) Fit wood slats (10) into both sides of plastic cap (9), before pushing cap (9) into central support (5).

### STEP 4

