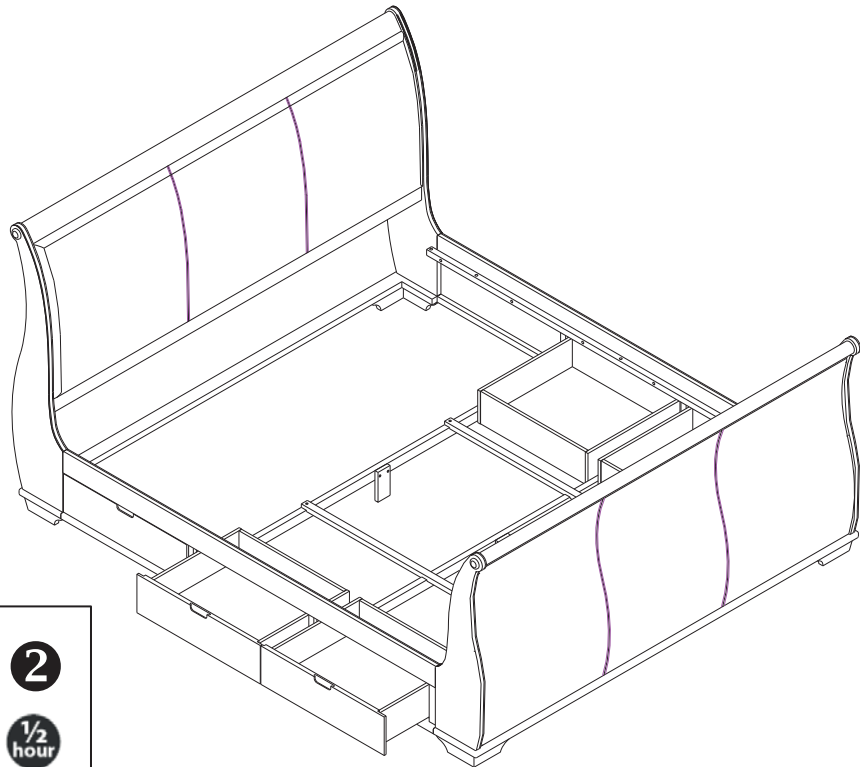


# Dreams

## BRUGES SUPER KING B/S

### Assembly Instructions



Minimum No. of people  
recommended to assemble  
This product.  
Approx assembly time:

2

1/2  
hour



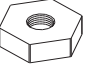



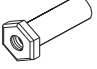
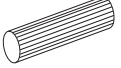
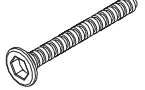

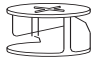
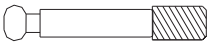



**NOTE:** It will require two people to assemble this bed. Assembly should be carried out in the room that the bed will be used in.

**Before you  
start, here  
is some  
helpful advice**

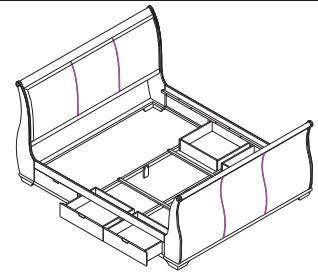
1. We suggest you spend a short time reading through this leaflet and then follow the simple step by step instructions.
2. If you follow the instructions carefully the end result should be worth the effort.
3. Do not discard any of the packaging until you have checked that you have all the parts and the pack of fittings.
4. Assemble this product on a carpet.
5. To ensure an easier assembly, we strongly advise that all fittings are only finger tightened during initial assembly. Only upon completion of the assembly should all fixing points be fully tightened.
6. We recommend a periodic check on all fixing points to make sure they remain fully tightened.
7. Keep glue and fittings out of children's reach.

**In the unlikely event that this product has missing or damaged parts, please call 08442 920000 to obtain spares**

# Component parts and fittings contained in the box

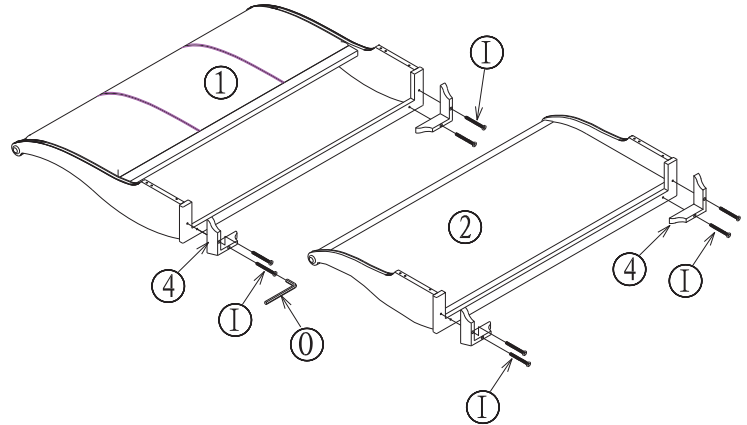
PARTS		Fittings (A)	
		<b>A</b>  Connector 4pcs	
		<b>B</b>  Connecting bolt 4pcs	
		<b>C</b>  M8 Nut 4pcs	
		<b>D</b>  Φ8 Spring Washer 4pcs	
		<b>E</b>  Spanner 1pc	
		<b>F</b>  M6x35mm Bolt 6pcs	
		<b>G</b>  M6 JCN Nut 6pcs	
		<b>H</b>  Φ10 Dowel 4pcs	
		<b>I</b>  M6x60 Bolt 12pcs	
		<b>J</b>  Φ8 Dowel 16pcs	
		<b>K</b>  Locking Nut 16pcs	
		<b>L</b>  Locking Pin 16pcs	
		<b>M</b>  35mm Screw 28pcs	
		<b>O</b>  4MM Allen key 1pc	<b>N</b>  16mm Screw 6pcs

# ASSEMBLY



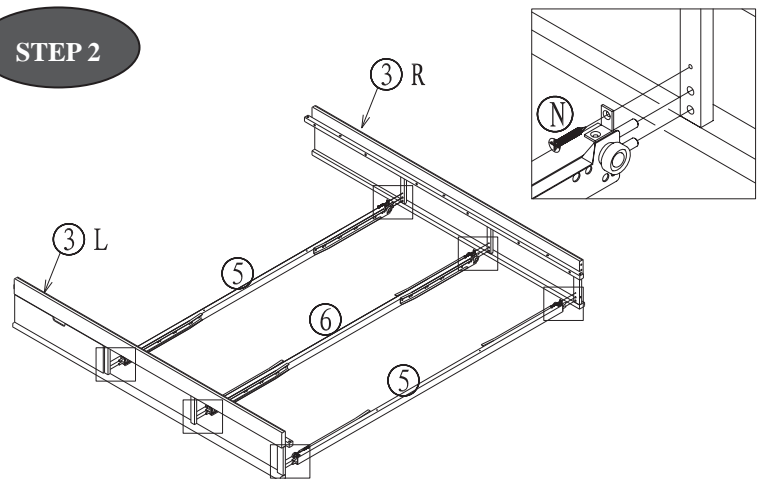
## STEP 1

1) Attachment of wooden leg to Head/footboard.



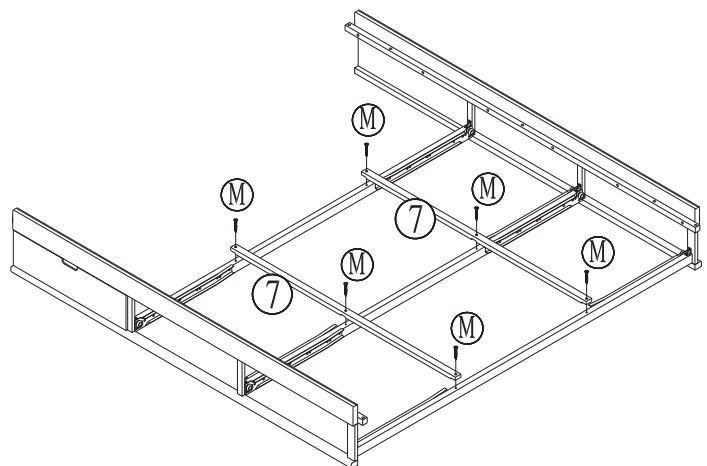
## STEP 2

1) Attachment of center rails to side rails.

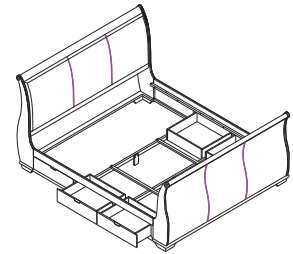


## STEP 3

1) Attachment of short rails to center rails.

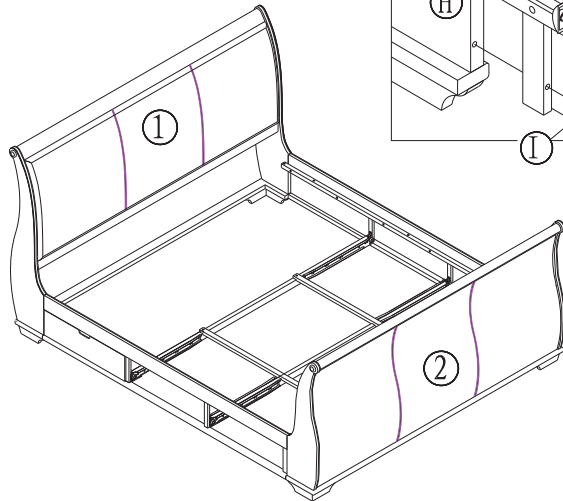


# ASSEMBLY



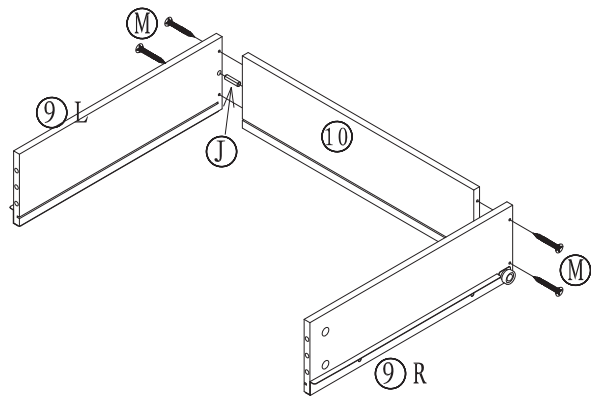
1) Attachment of side rails to Head/footboard.

## STEP 4



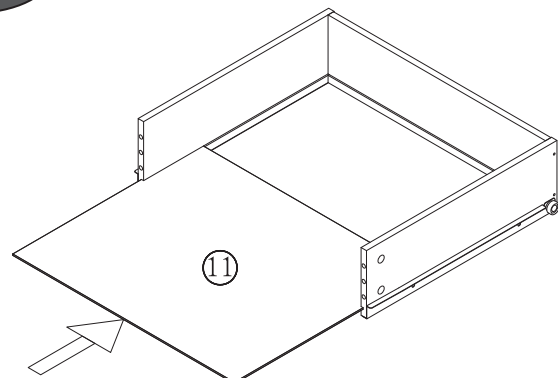
1) Attachment of side panel onto the back panel.

## STEP 5

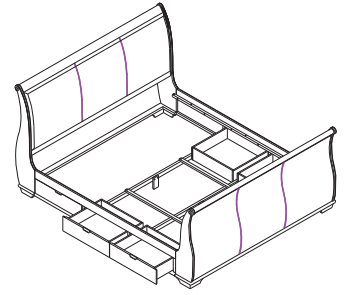


1) Slide the bottom panel into the unit.

## STEP 6

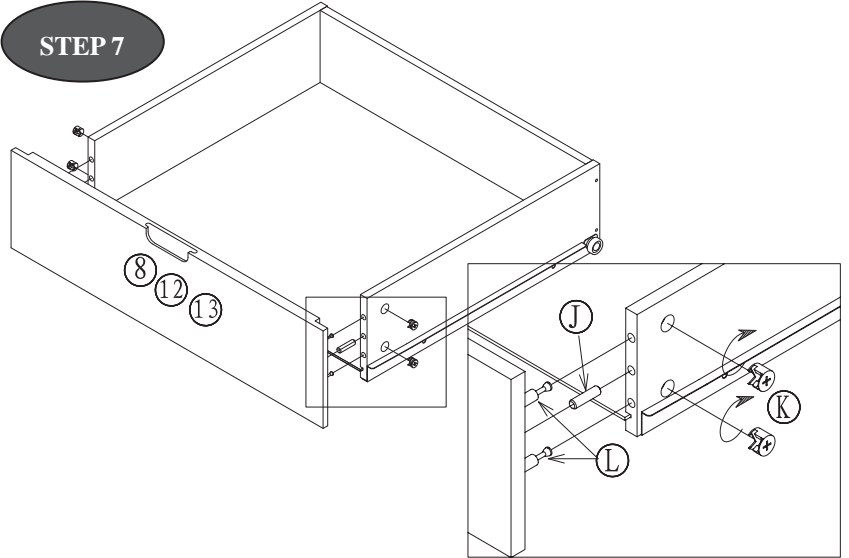


# ASSEMBLY



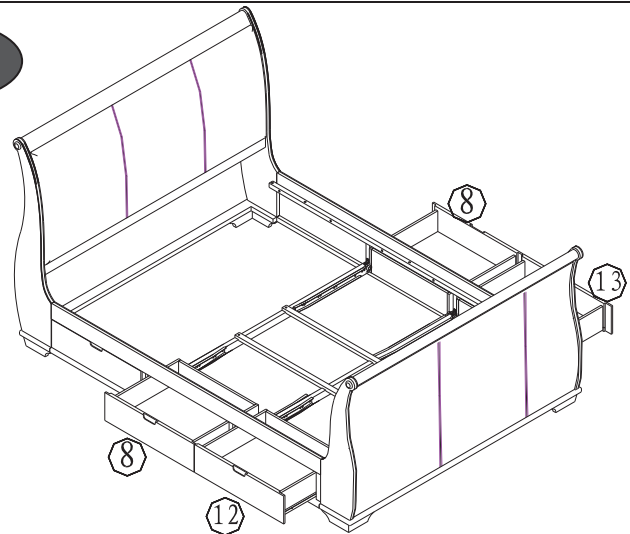
1) Assembly of the front panel onto side frame.

## STEP 7



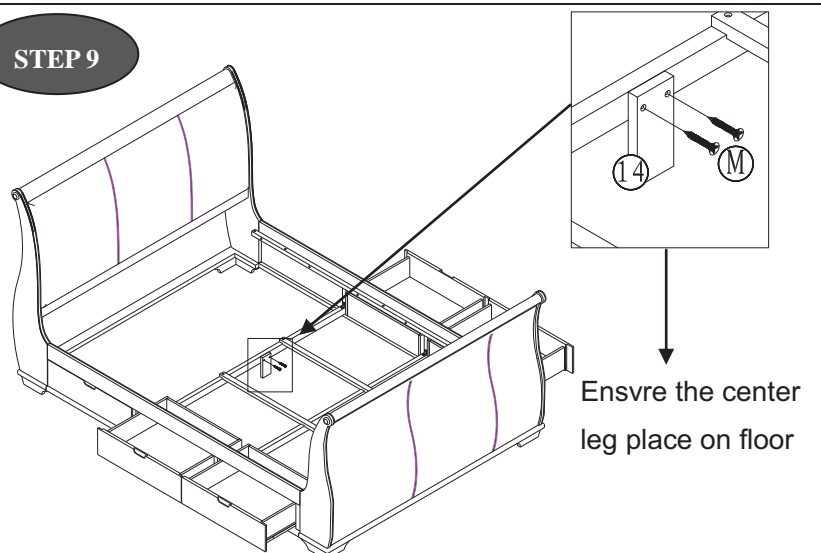
1) Slot in the Drawers.

## STEP 8

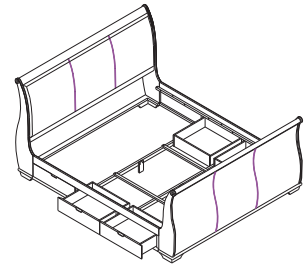


1) Attachment of leg to center rail.

## STEP 9



# ASSEMBLY

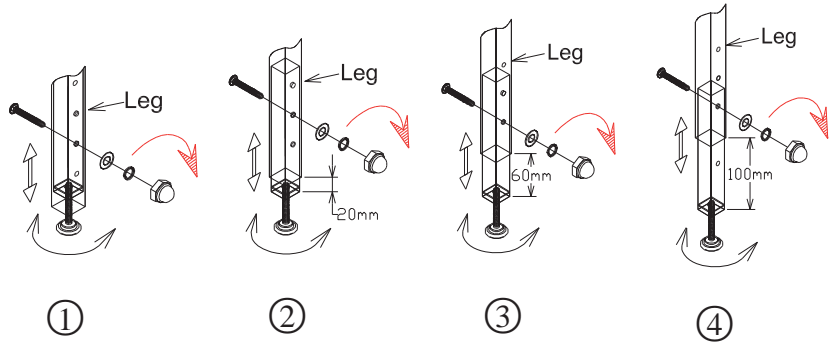


**NOTE: Slats not supplied shown for reference only.**

**Both slats on “step 10---step 13” can be assembled to the bedstead. You can make a choice between the two slats.**

- 1) Support leg height have the four position, you can adjust according to the bed height to choose the right position to fix in the “STEP 10”.
- 2) If need, you can adjust by screwing in or out the support leg leveler at the bottom.

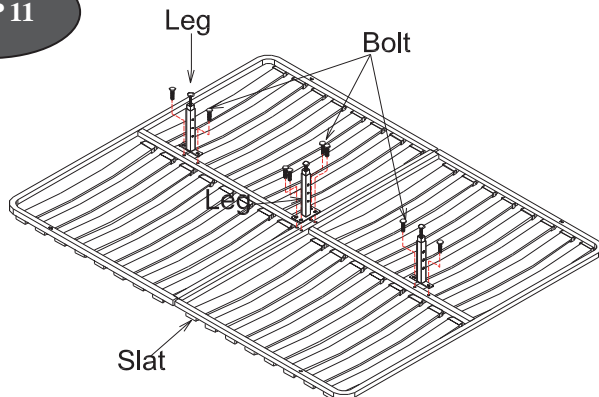
## STEP 10



Select correct height for your bedstead

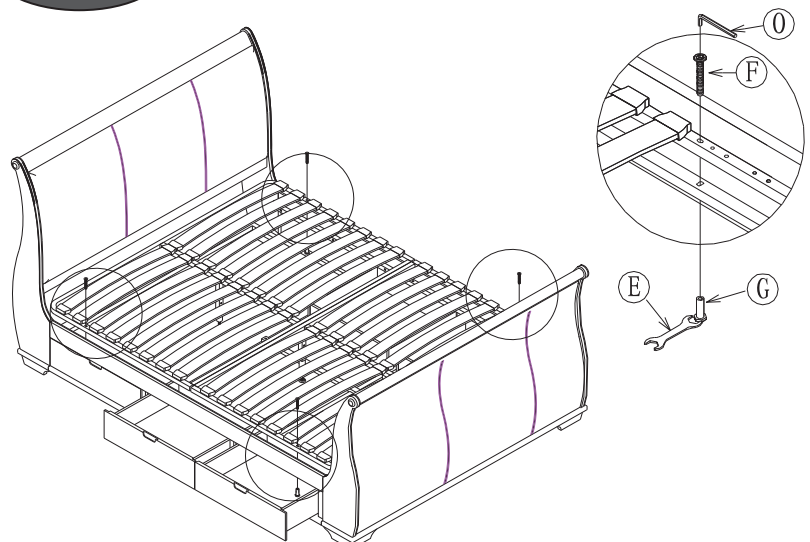
- 1) Use the pcs bolts, supplied with the slat frame to fix the leg onto the slats frame.

## STEP 11

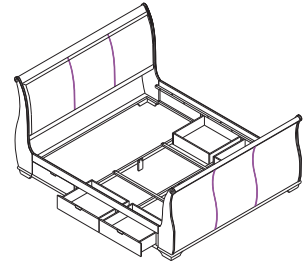


- 1) Carefully place the slat frame onto the bed.
- 2) Use bolt (F) and JCN nut (G) to fix the slat frame onto the bed.

## STEP 12



# ASSEMBLY



## Solid Slat System:

- 1) Carefully place the slat frame onto the bed.
- 2) Use bolt (F) and JCN nut (G) to fix the Slat frame onto the bed.

### STEP 13

