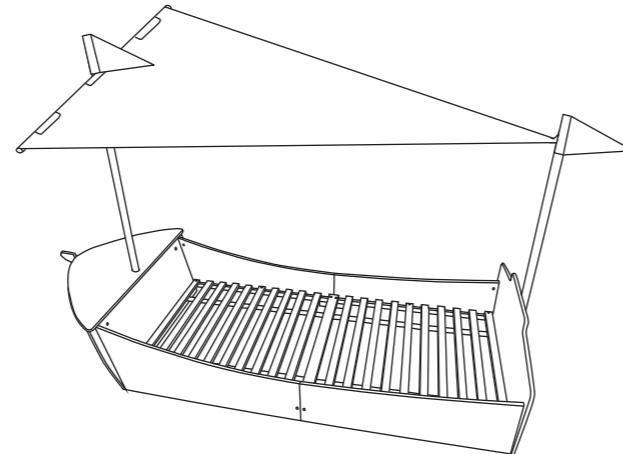
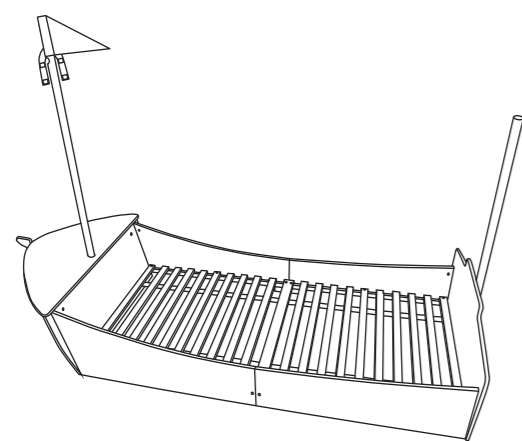
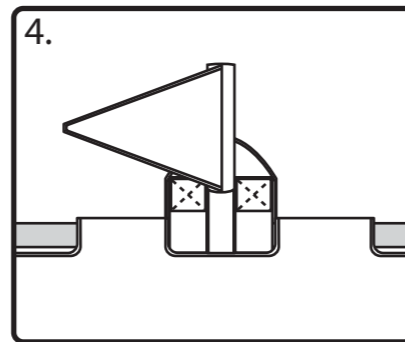
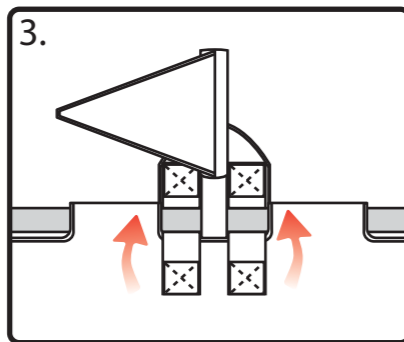
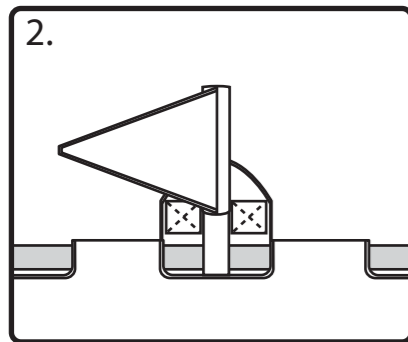
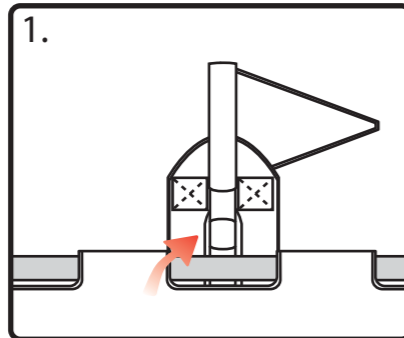


Place the front flag x 1 onto the front pole.

Attach the bed canopy to the front flag using the hook and loop patches.

STEP 17



The Innovation Factory
St. Columb Major
Business Park,
Cornwall
TR9 6SX
United Kingdom

CUSTOMER CARE
FREEPHONE: 0800 389 8591 (UK only)
www.worldsapart.com
customercare@worldsapart.com

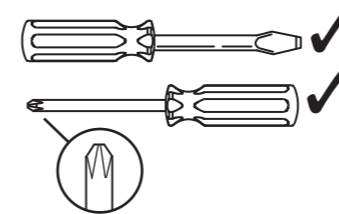
© 2011 Worlds Apart Limited, All Rights Reserved,
Design Right Worlds Apart Limited
INS.458BOA - DR 23/11/11
Rev: 001

WARNING! Do not use if any part is missing, damaged or broken.
DO NOT substitute parts. Use only additional or replacement parts supplied by Worlds Apart Ltd.
Please call 0800 389 8591 to obtain spare parts or assembly assistance.

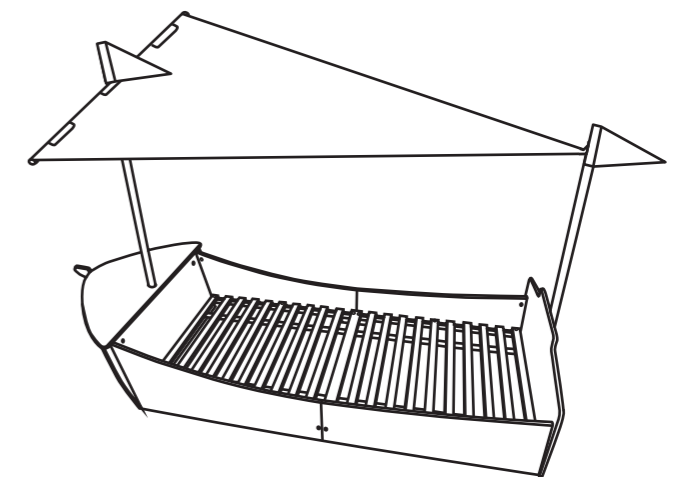


BOAT BED 013-00200

Assembly Instruction



Do not use.



CUSTOMER CARE FREEPHONE:
0800 389 8591 (UK only)

Minimum No. of people
recommended to assemble
this product.



Approx assembly time.

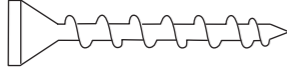
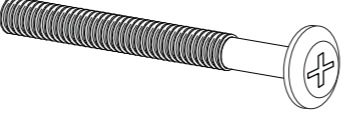

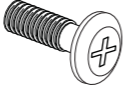
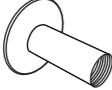
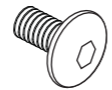
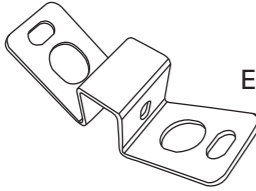
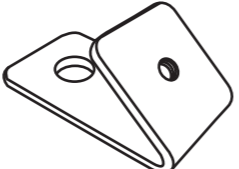
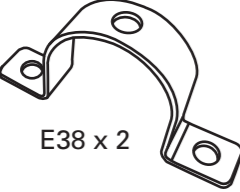

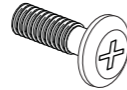
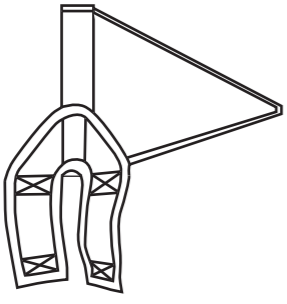
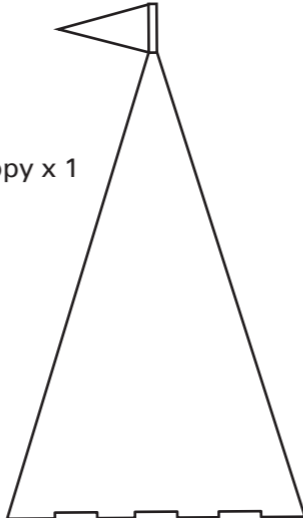


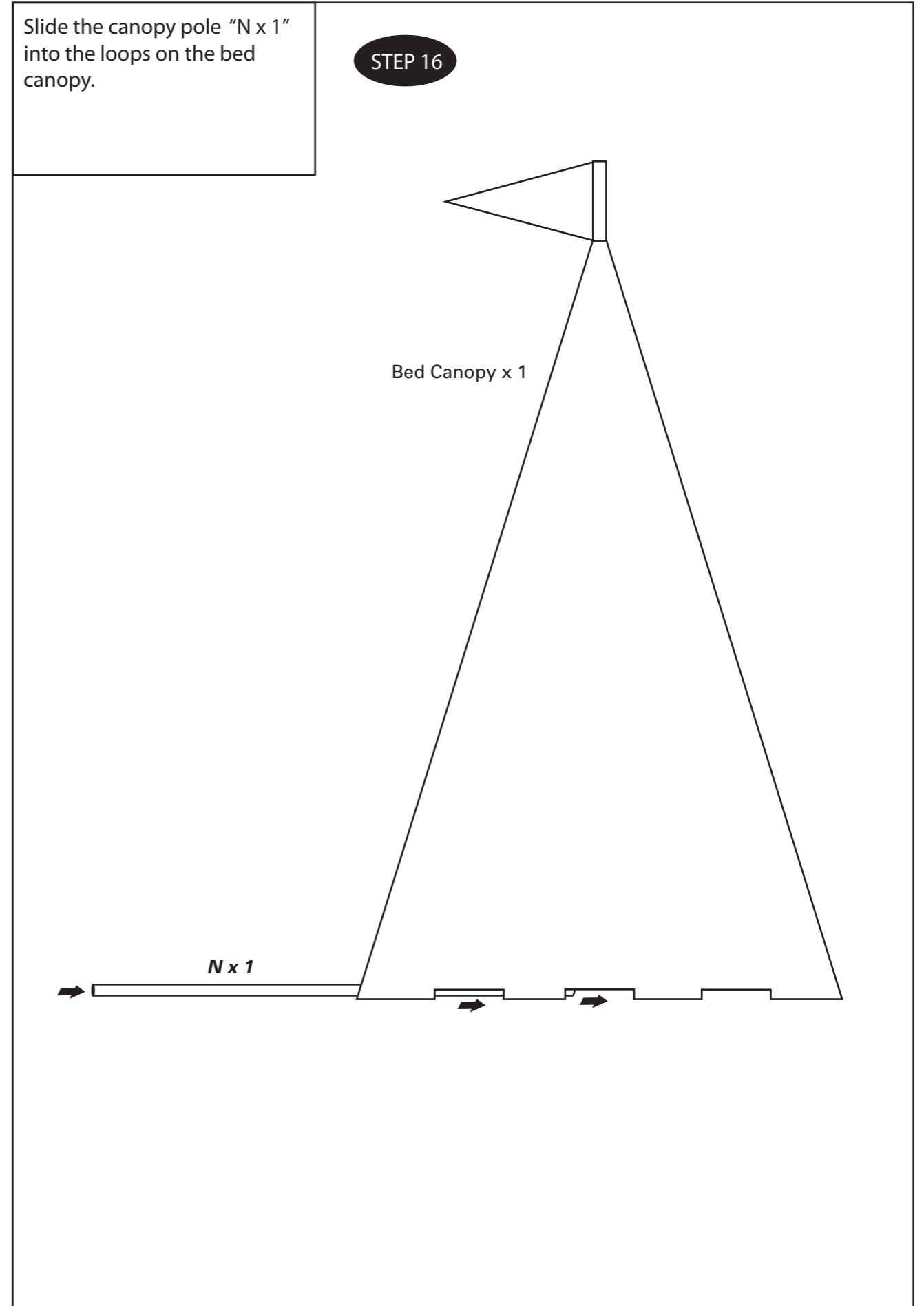
Before you start, here is some helpful advice.

- **WARNING:** Keep away from fire.
- **WARNING!** Not suitable for children under 4 years.
- **WARNING:** Do not place this child's bed near heat sources, windows and other furniture
- **WARNING:** Do not use this child's bed if any part is broken, torn or missing.
- Children are likely to play, bounce and climb on beds, therefore the child's bed should not be placed too close to other furniture, blinds, curtain pulls or other strings or cords. The bed should be placed either tight to any wall or have a gap of 300mm between the wall and the side of the bed.
- Check all fixings regularly and tighten if necessary.
- Do not substitute parts. Use only additional or replacement parts supplied by Worlds Apart Ltd.
- Do not over tighten fixing, due to possible risk of damaging your product.
- **Bed:** Wipe clean with a damp cloth
- **Curtains:** Not waterproof. Wipe clean with a damp cloth. Do not dry clean or iron.
- Size of mattress to be used: 190cm x 90cm.
- Child's bed conforms to BS 8509: 2008 + A1: 2011
- Made in China.

IMPORTANT!

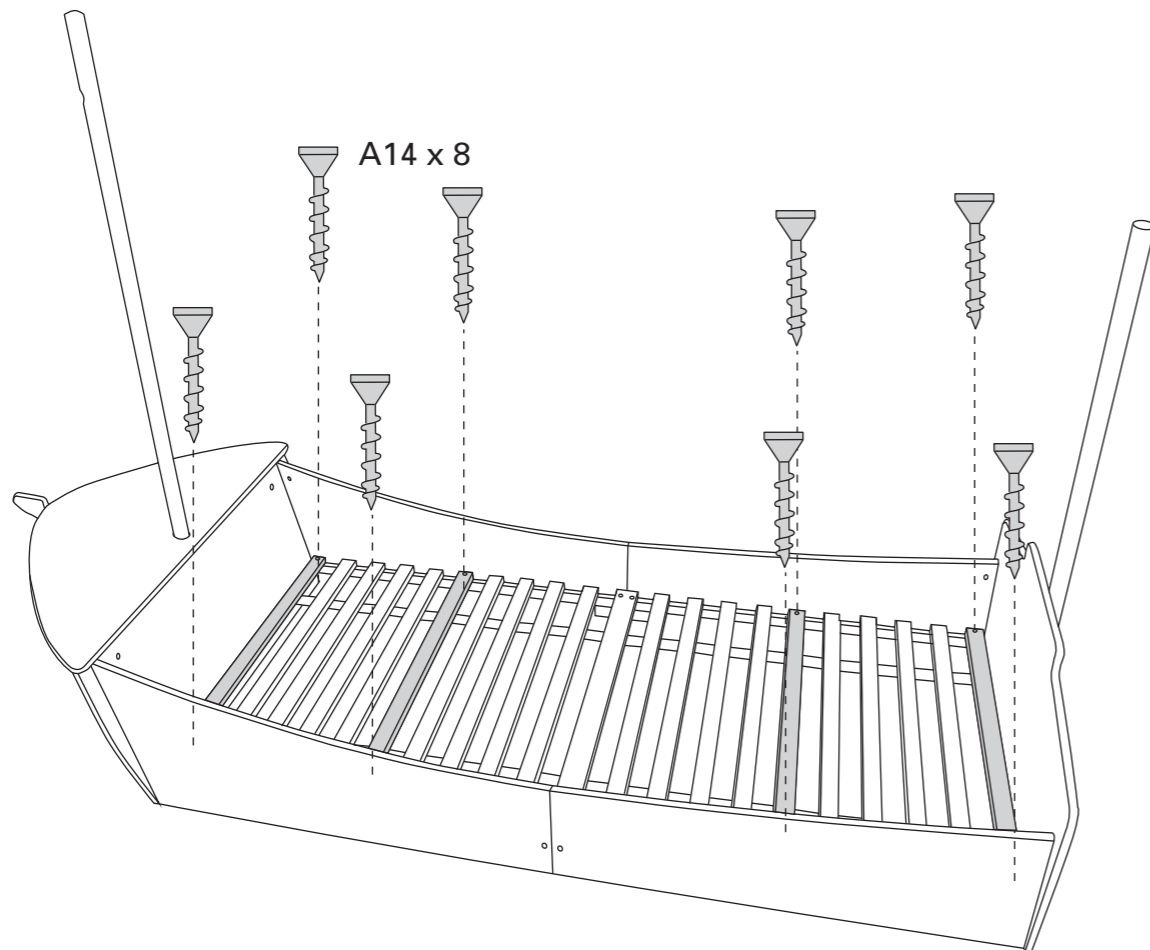
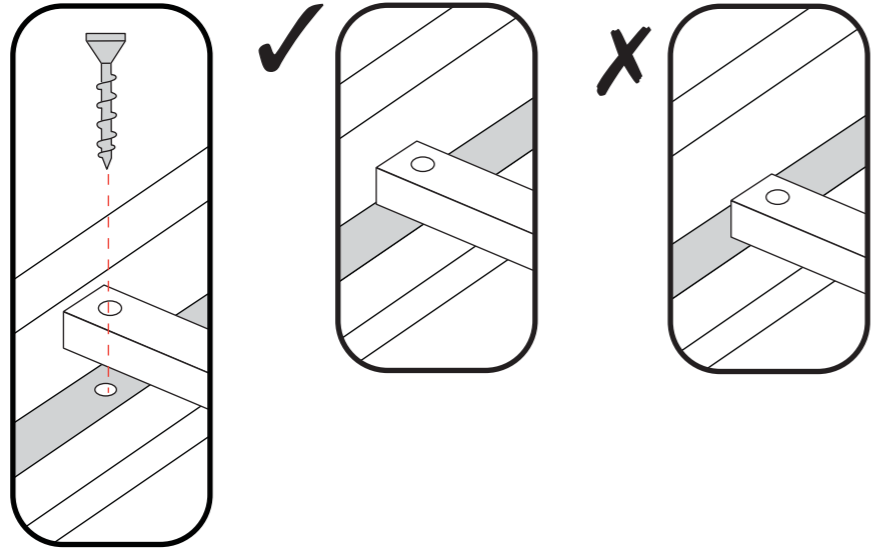
KEEP THIS INSTRUCTION FOR FUTURE REFERENCE.

FITTINGS	
 A14 x 44	 B2 x 13
 B3 x 12	 B8 x 12 (12mm)
 C1 x 2	 C2 x 2
 E40 x 2	 E36 x 4
 E38 x 2	 E1 x 6 (6mm)
	 B6 x 4 (20mm)
 Front Flag x 1	 Bed Canopy x 1

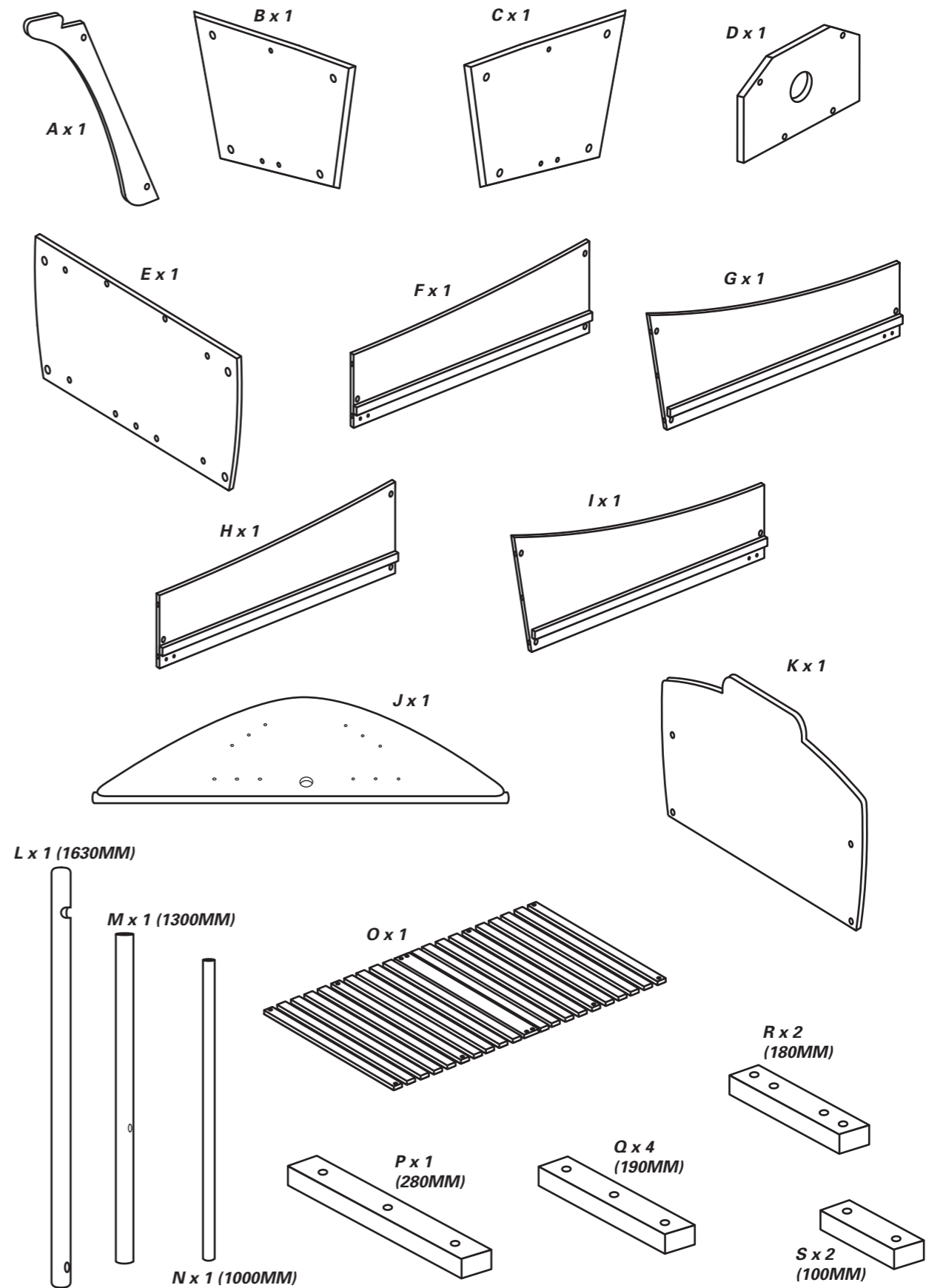


Secure the bed slats "O x 1" into place using screws "A14 x 8"

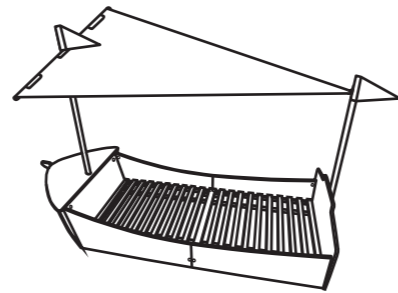
STEP 15



PARTS

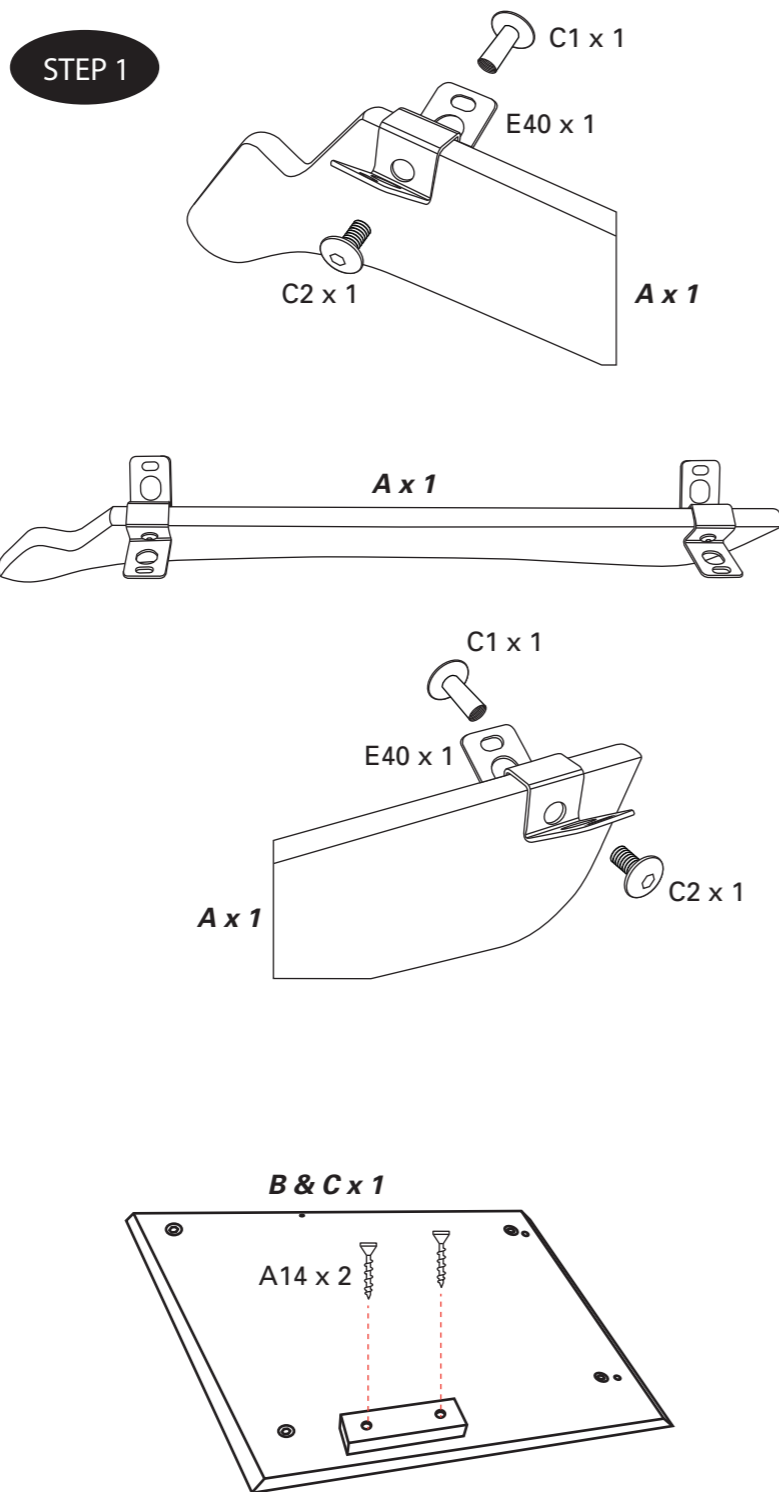


Assembly



Slot Bracket "E40 x 2" onto panel "A x 1" and fix into place using male and female fixings "C1 x 2" & "C2 x 2".

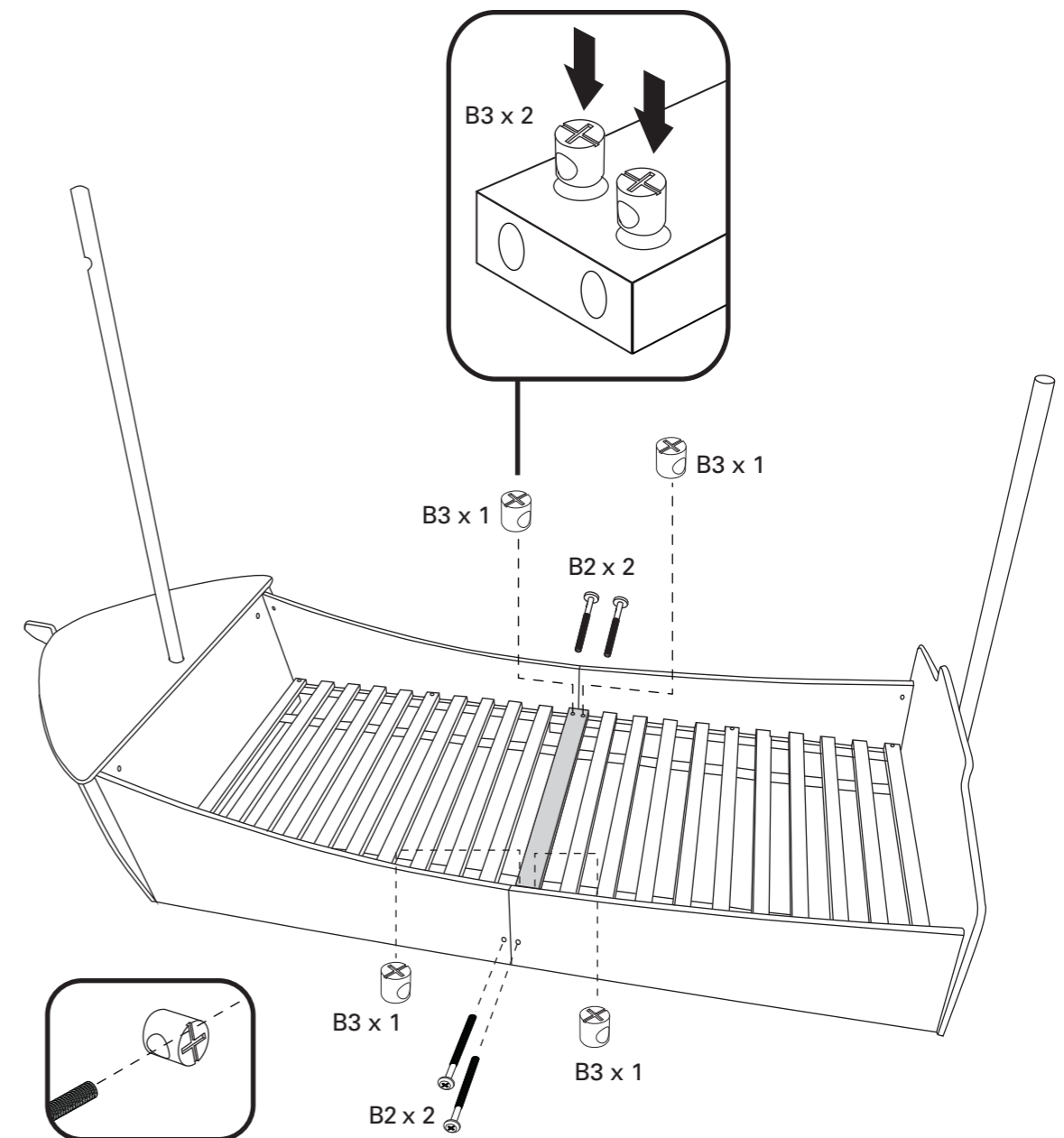
Screw blocks "S x 2" onto panel "B & C x 1" using screws "A14 x 4".



Place the bed slats "O x 1" onto the bed base.

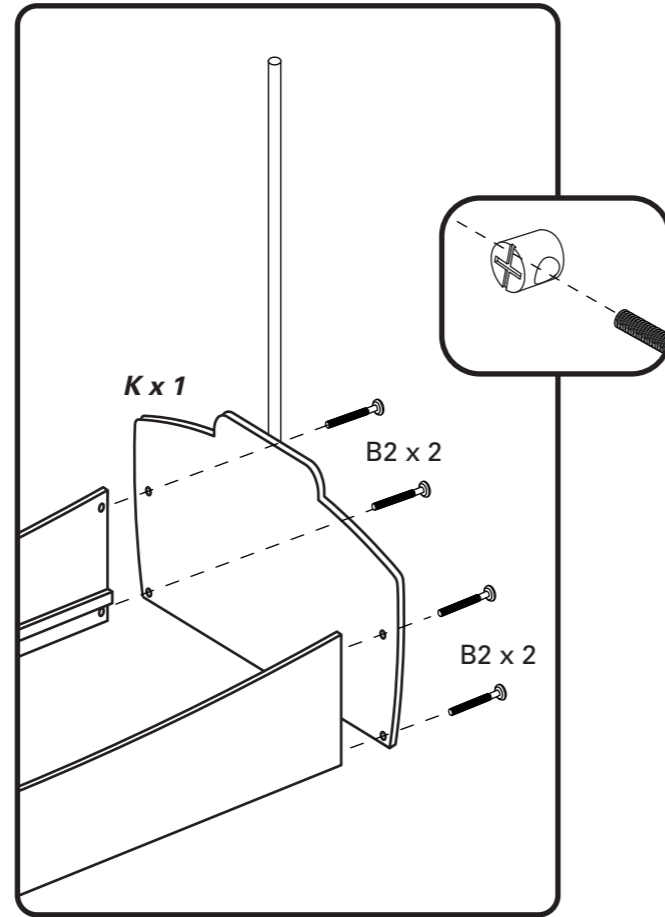
Secure the centre slat into place using T nuts "B3 x 4" and "T bolt B2 x 4"

STEP 14



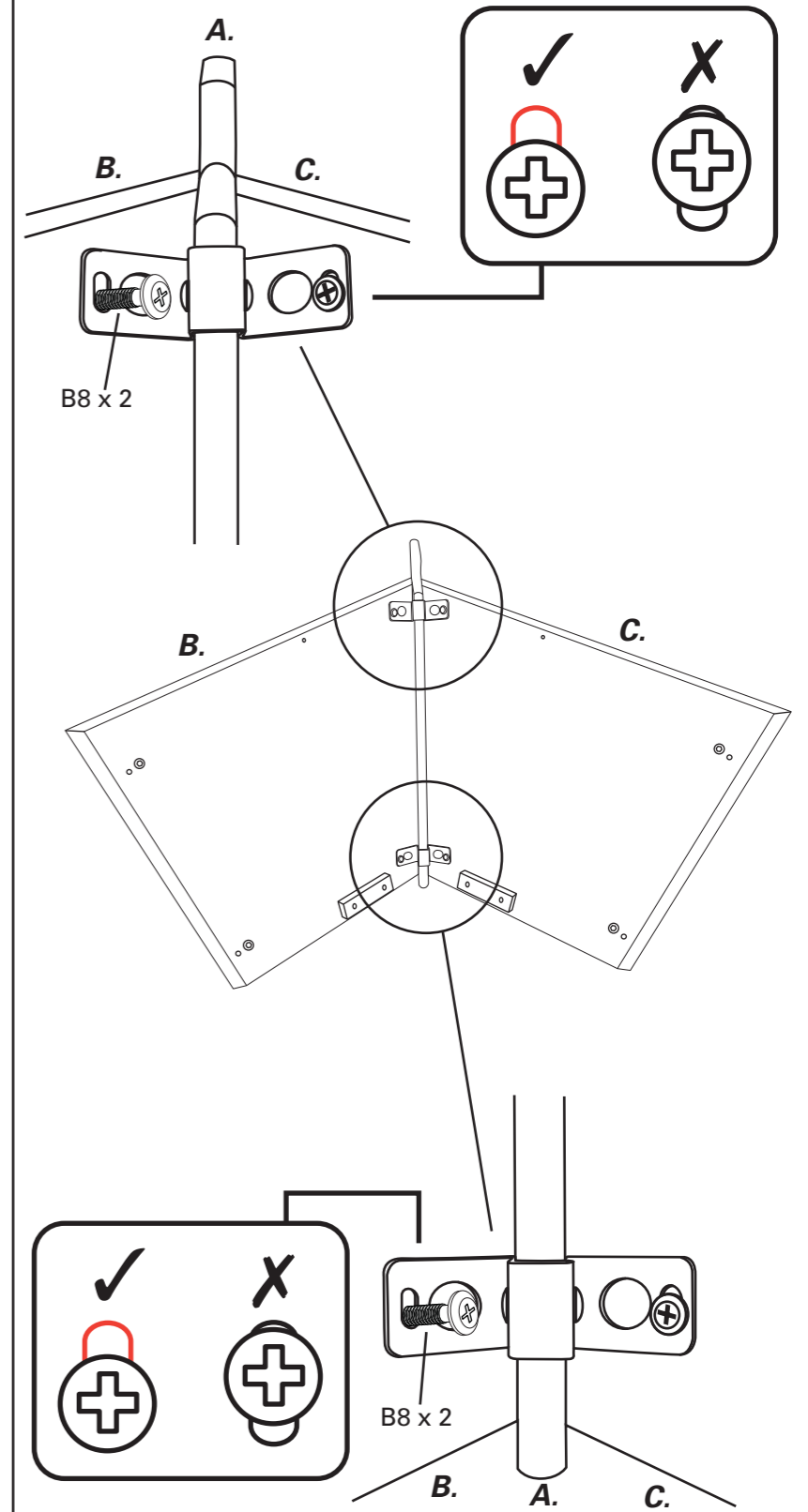
Attach panel "K x 1" onto the assembled side panels using bolts "B2 x 4".

STEP 13



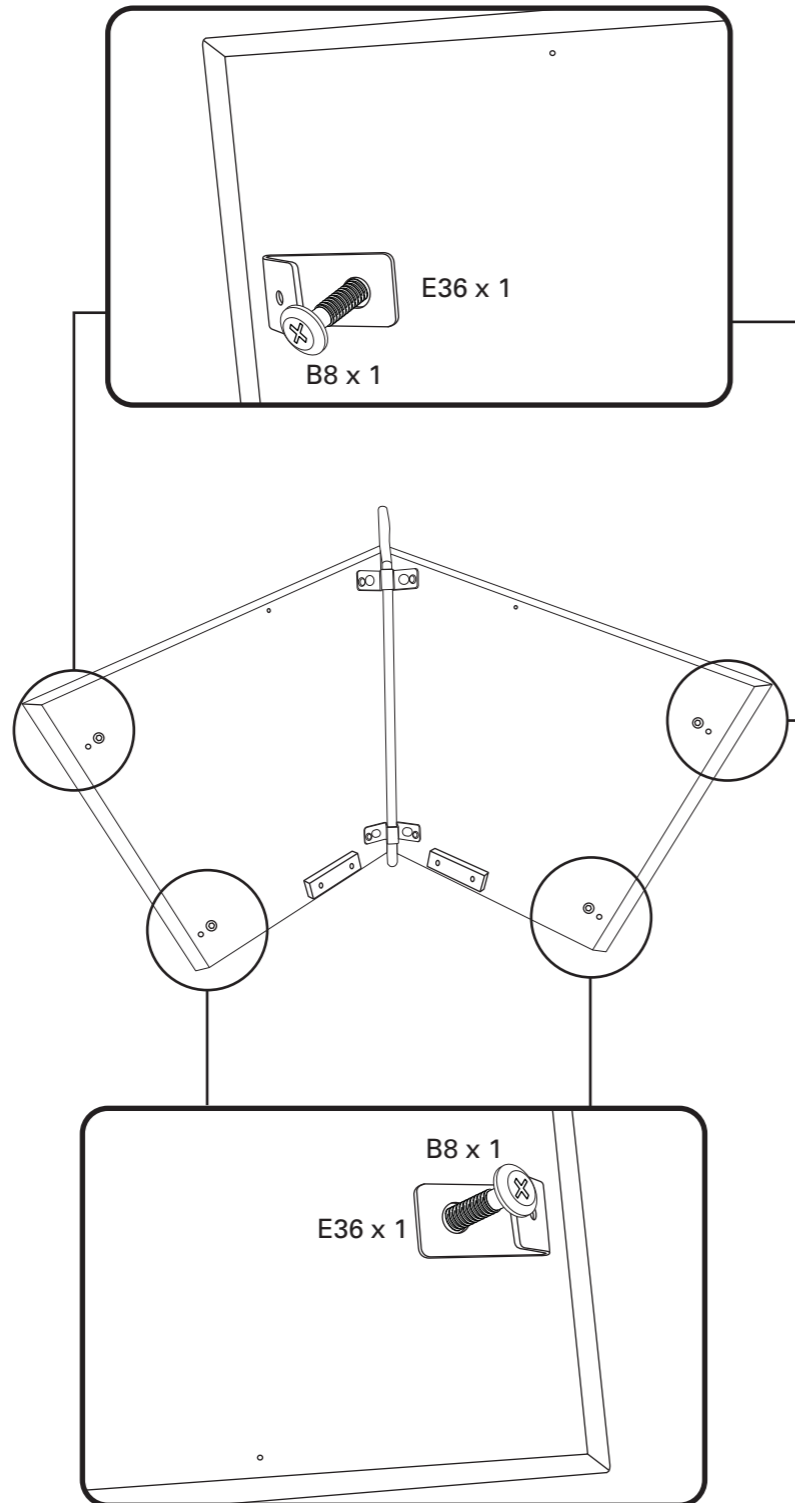
Attach panels "B & C" onto panel "A" using bolts "B8 x 4".

STEP 2



Attach brackets "E36 x 4" onto panels "B & C" using bolts "B8 x 4".

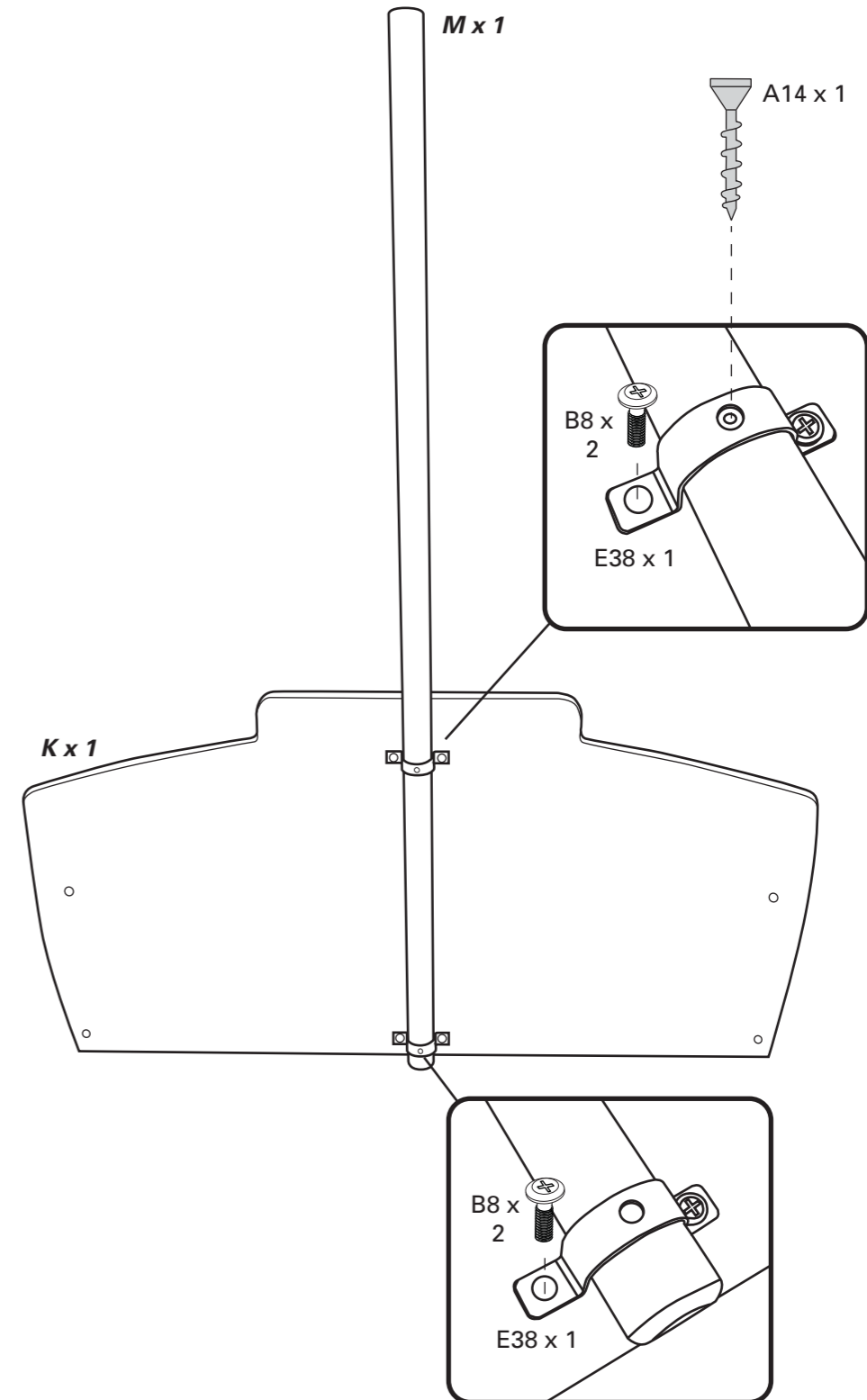
STEP 3



Attach pole "M x 1" onto panel "K x 1" using brackets "E38 x 2" and bolts "B8 x 4".

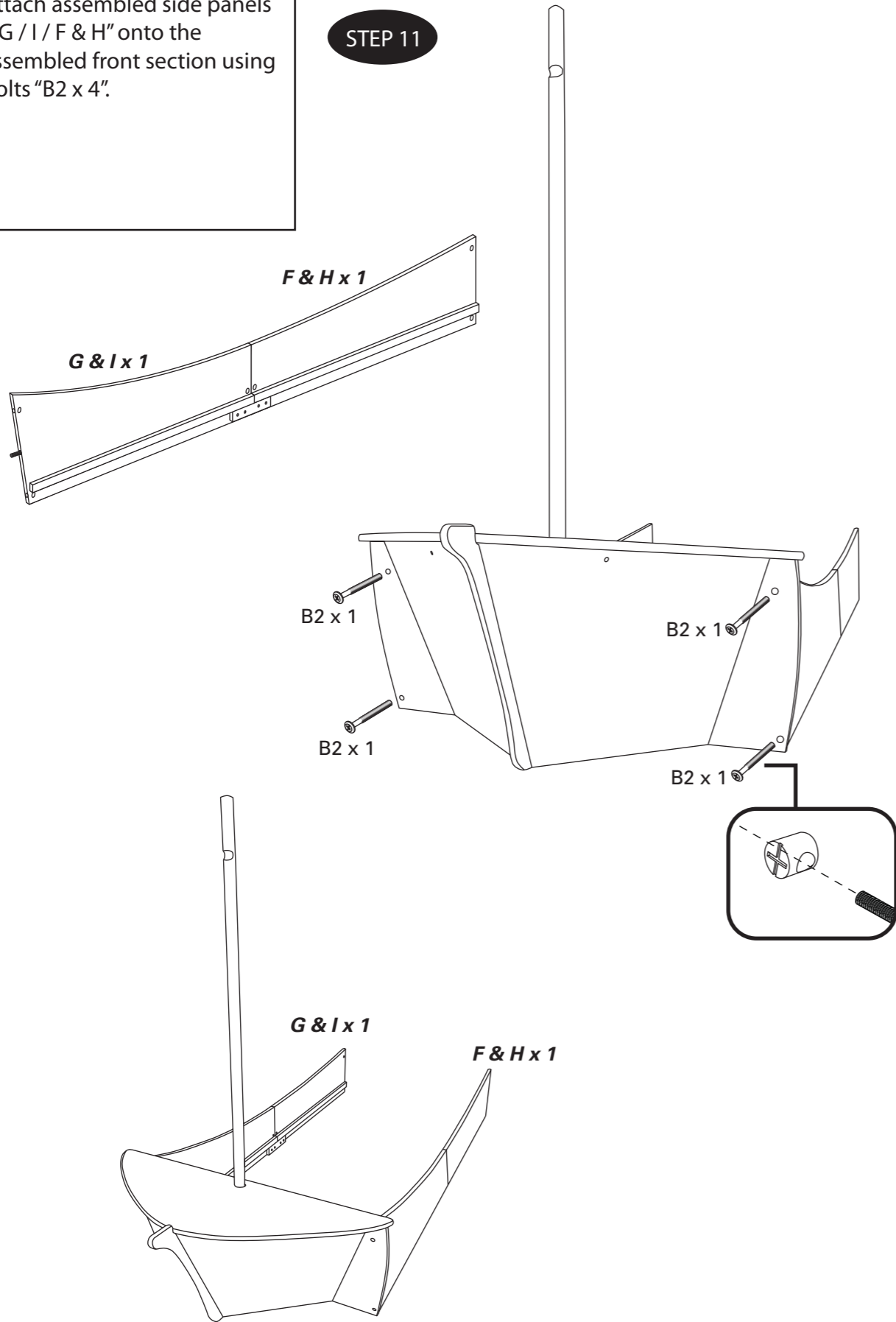
STEP 12

Screw the pole into place using screw "A14 x 1".



Attach assembled side panels "G/I/F&H" onto the assembled front section using bolts "B2 x 4".

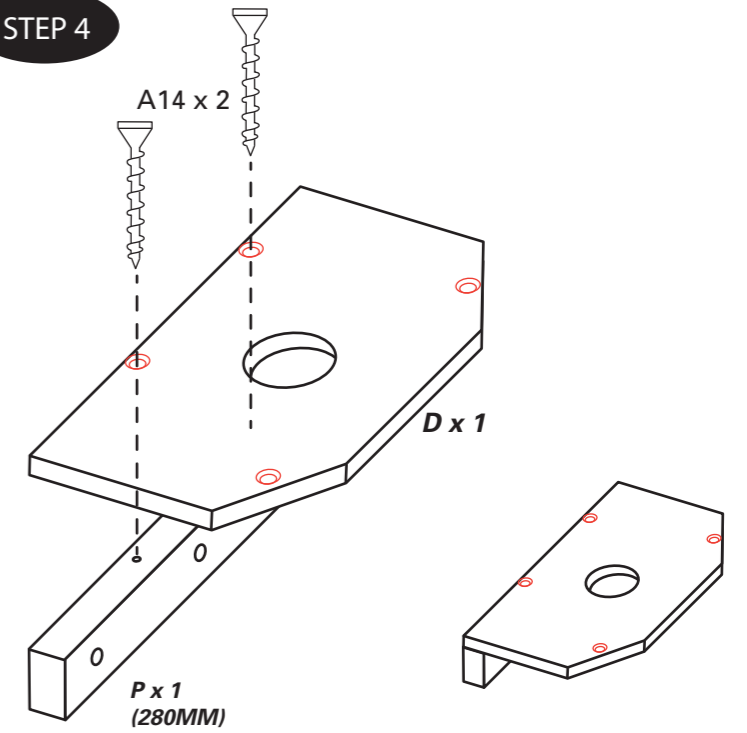
STEP 11



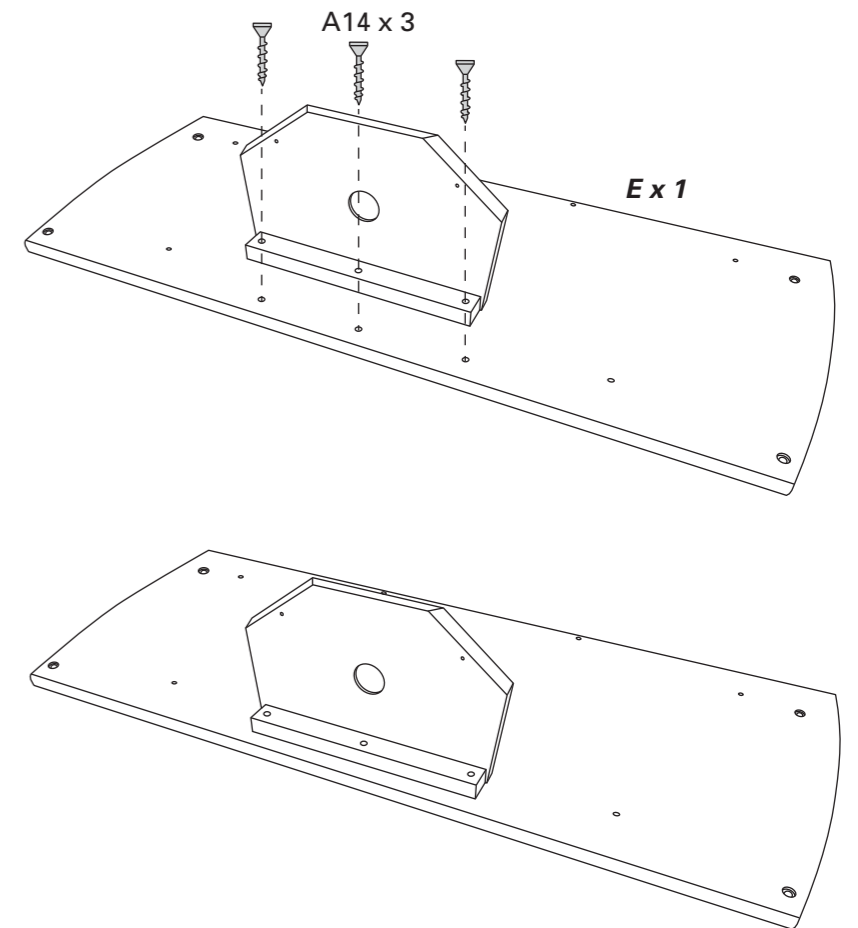
Screw panel "D x 1" onto block "P x 1" using screws "A14 x 2".

Ensure the counter sunk holes are facing upwards before assembly.

STEP 4



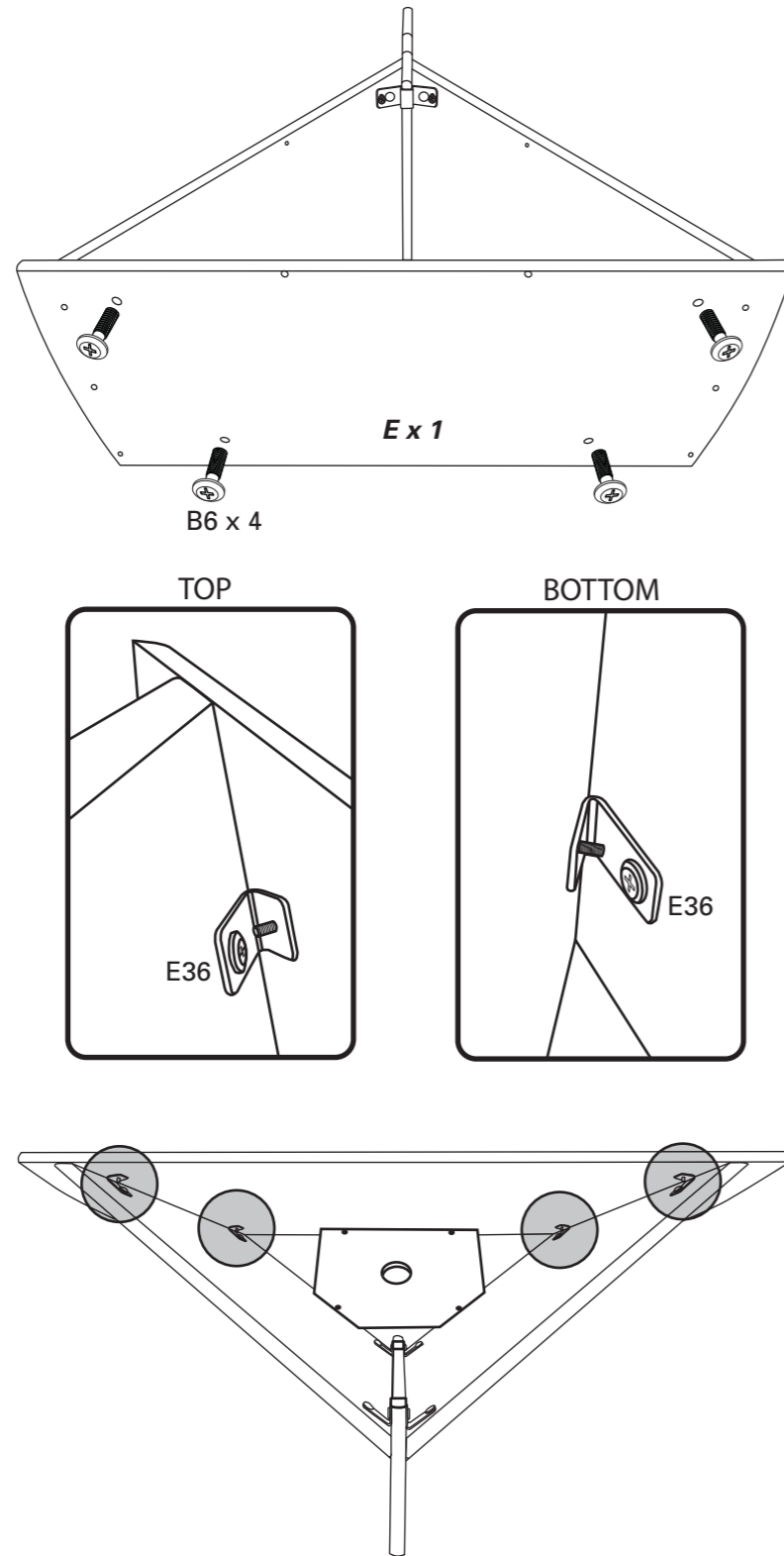
Screw block "P x 1" onto panel "E x 1" using screws "A14 x 3".



Attach panel "E x 1" to panels "B & C" using bolts "B6 x 4"

Ensure the bolts are securely screwed into brackets "E36".

STEP 5



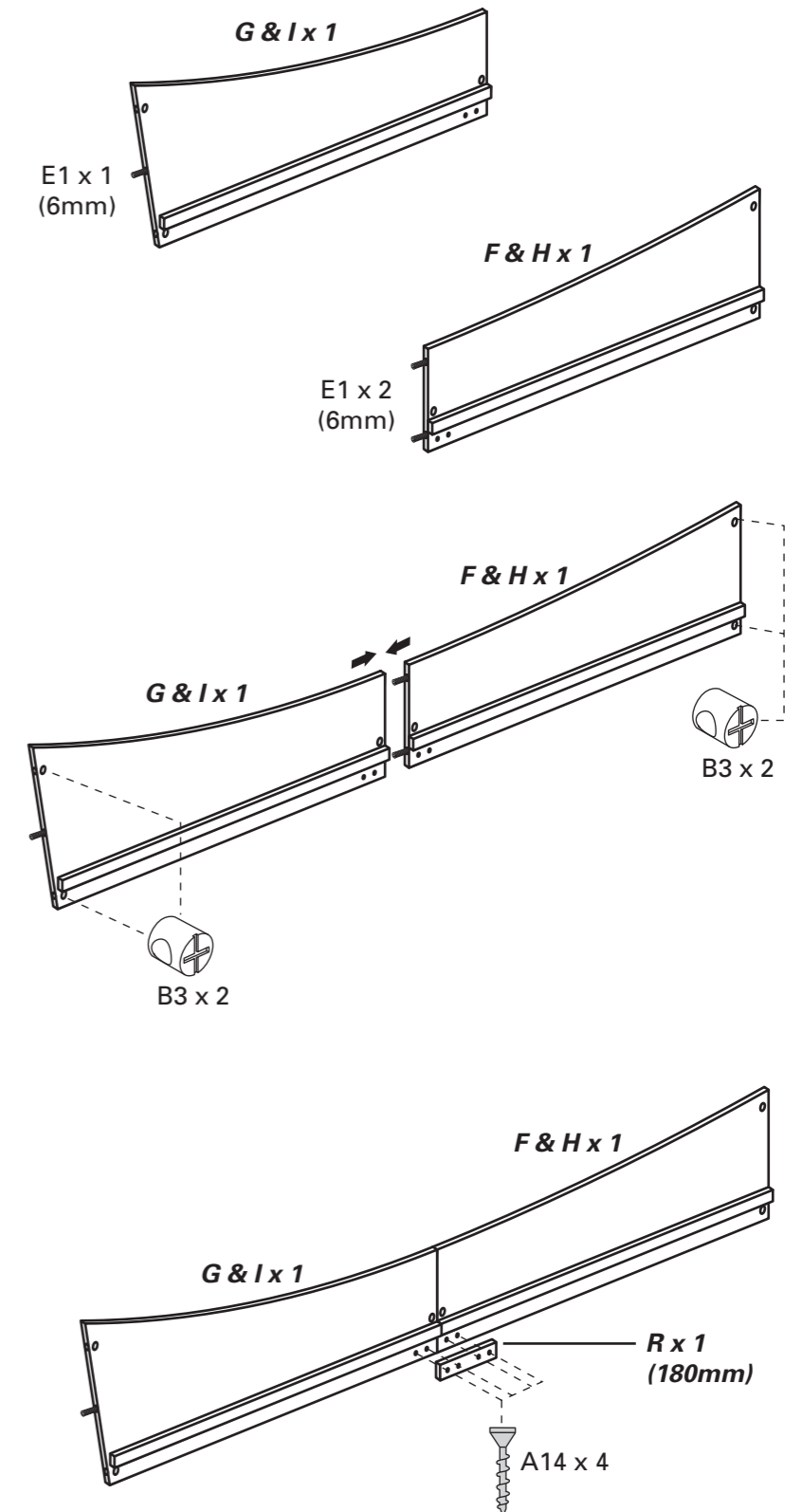
Insert dowel "E1 x 1" into panels "G & I".

Insert dowel "E1 x 2" into panels "F & H".

Insert T nut "B3 x 8" into panels "G / I / F & H".

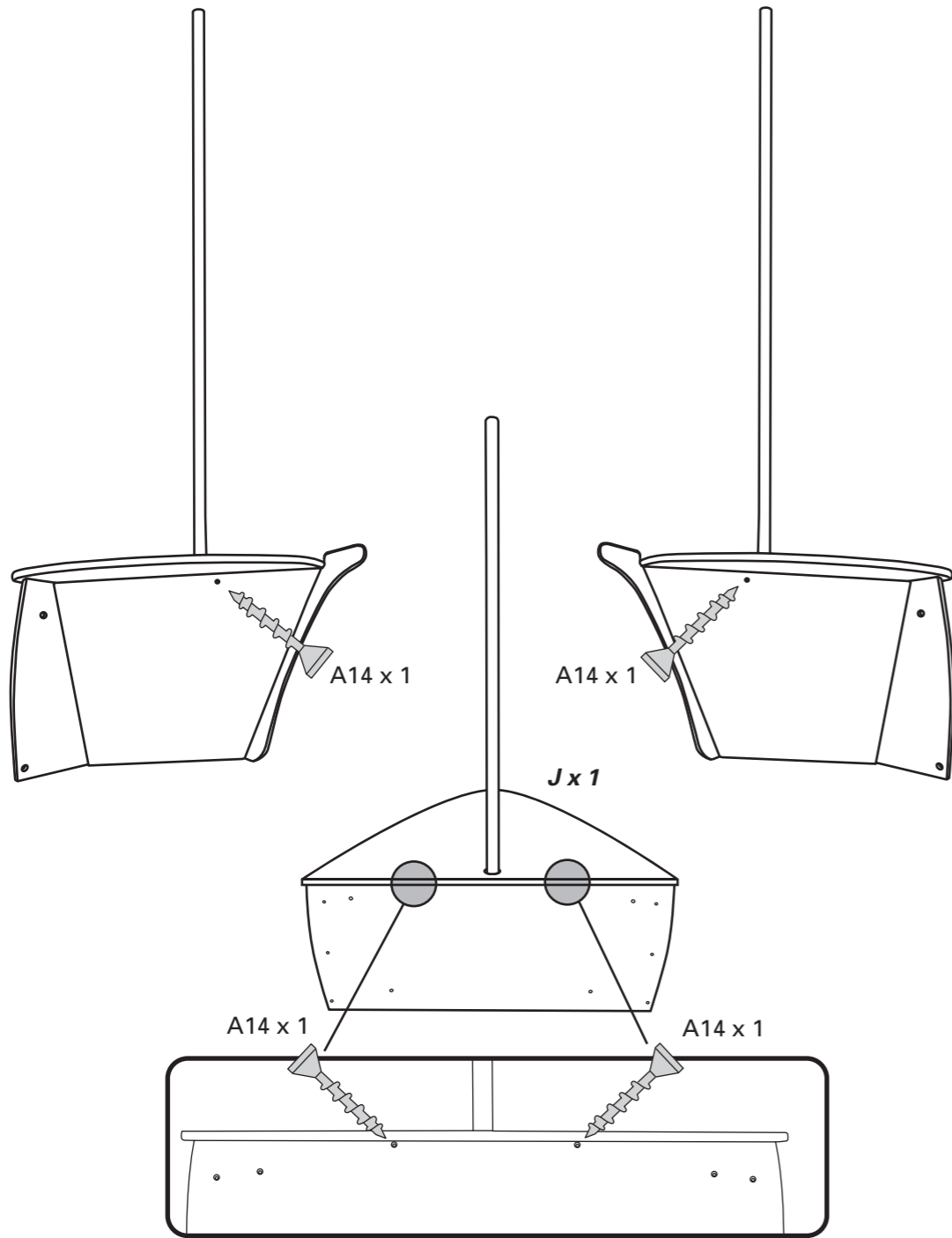
Attach block "R x 2" onto side panels using screws "A14 x 4".

STEP 10



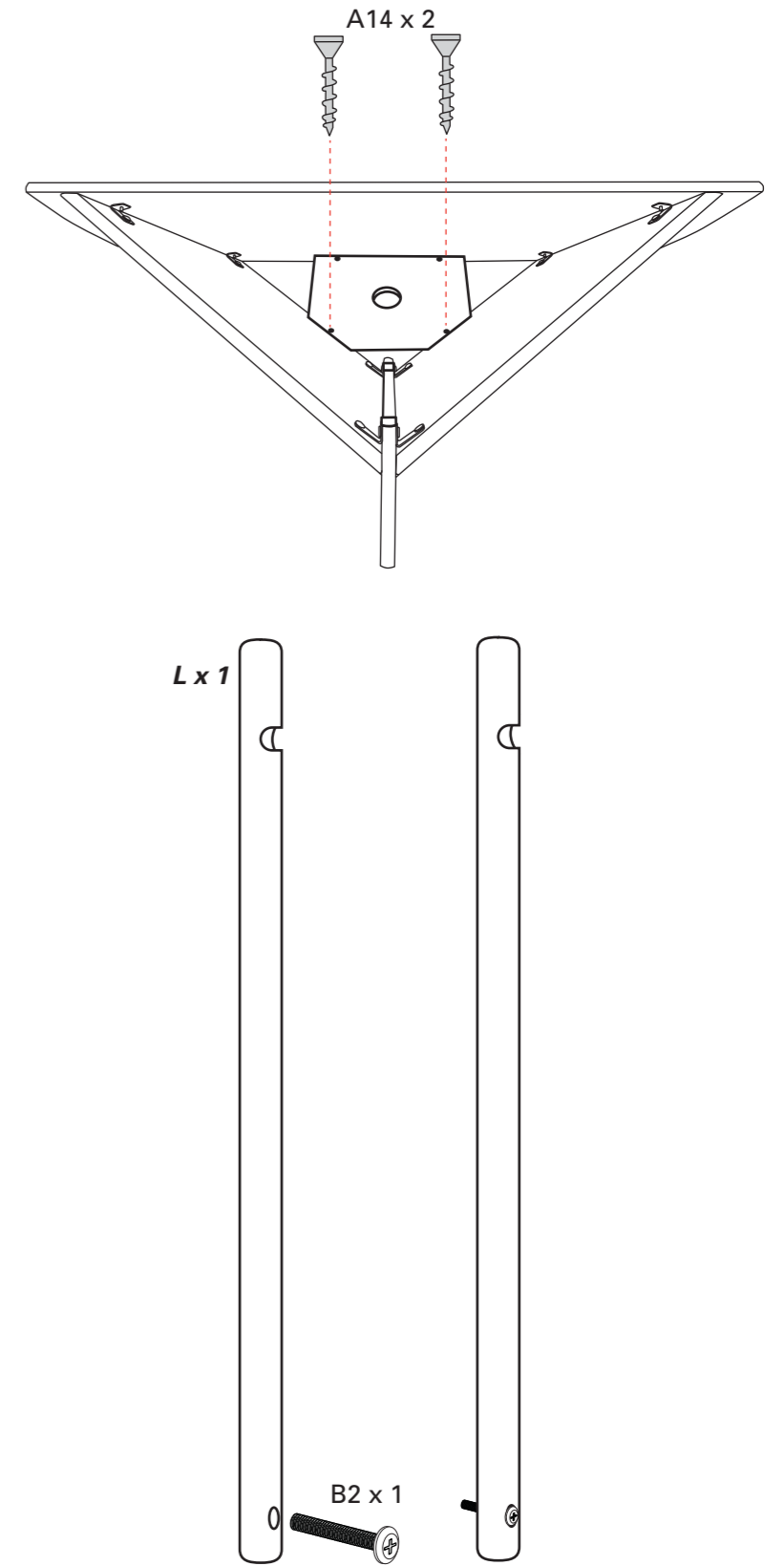
Secure panel "J x 1" into place using screws "A14 x 4" as shown.

STEP 9



Attach panel "D x 1" onto blocks "R" using screws "A14 x 2".

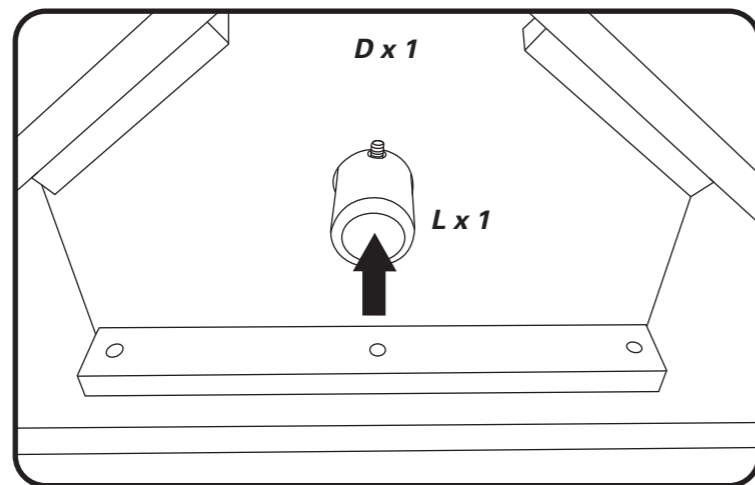
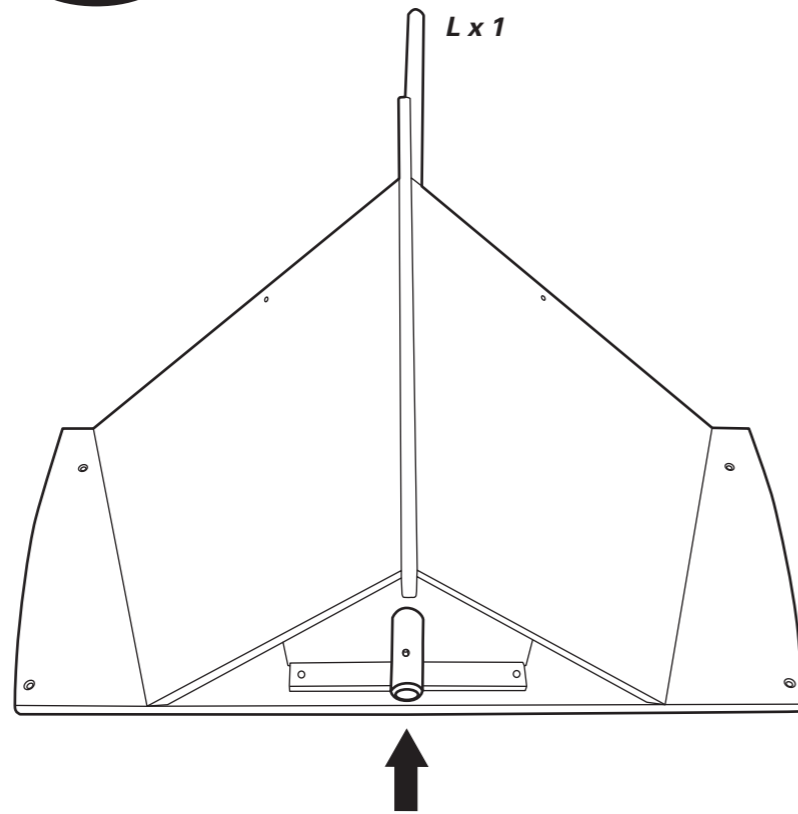
STEP 6



Screw bolt "B2 x 1" into the bottom of pole "L x 1"

Insert pole "L x 1" into the bottom of panel "D".

STEP 7



Screw blocks "Q x 4" onto panel "J x 1" using screws "A14 x 12".

Slot panel "J x 1" onto the assembled front section.

STEP 8

