

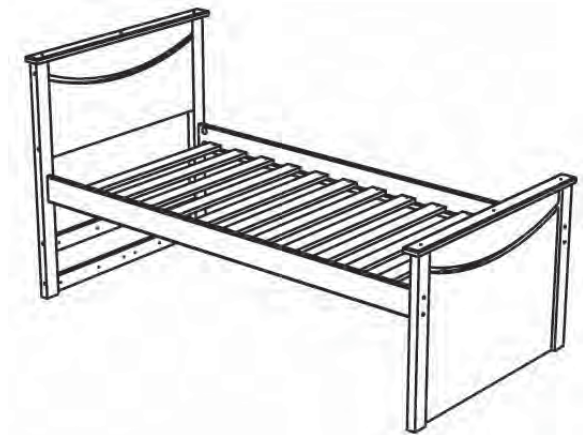


BILBAO BED Single Bed

Assembly Instructions



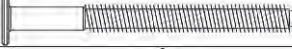


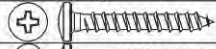






Minimum number of people to assemble this product: 2

Approximate assembly time: 30mins



Before you start, here is some helpful advice.

1. We suggest you spend a short time reading through this leaflet and then follow the step by step instructions.
2. If you follow the instructions carefully the end result should be worth the effort.
3. Do not discard any of the packaging until you have checked that you have all of the parts and the pack of fittings.
4. Assemble this product on a carpet.
5. To ensure an easier assembly, we strongly advise that all fittings are only finger tight during initial assembly. Only upon completion of the assembly should all fixings be fully tightened.
6. We recommend a periodic check on all fixing points to make sure they remain tight.
7. Keep glue and fittings out of children's reach.

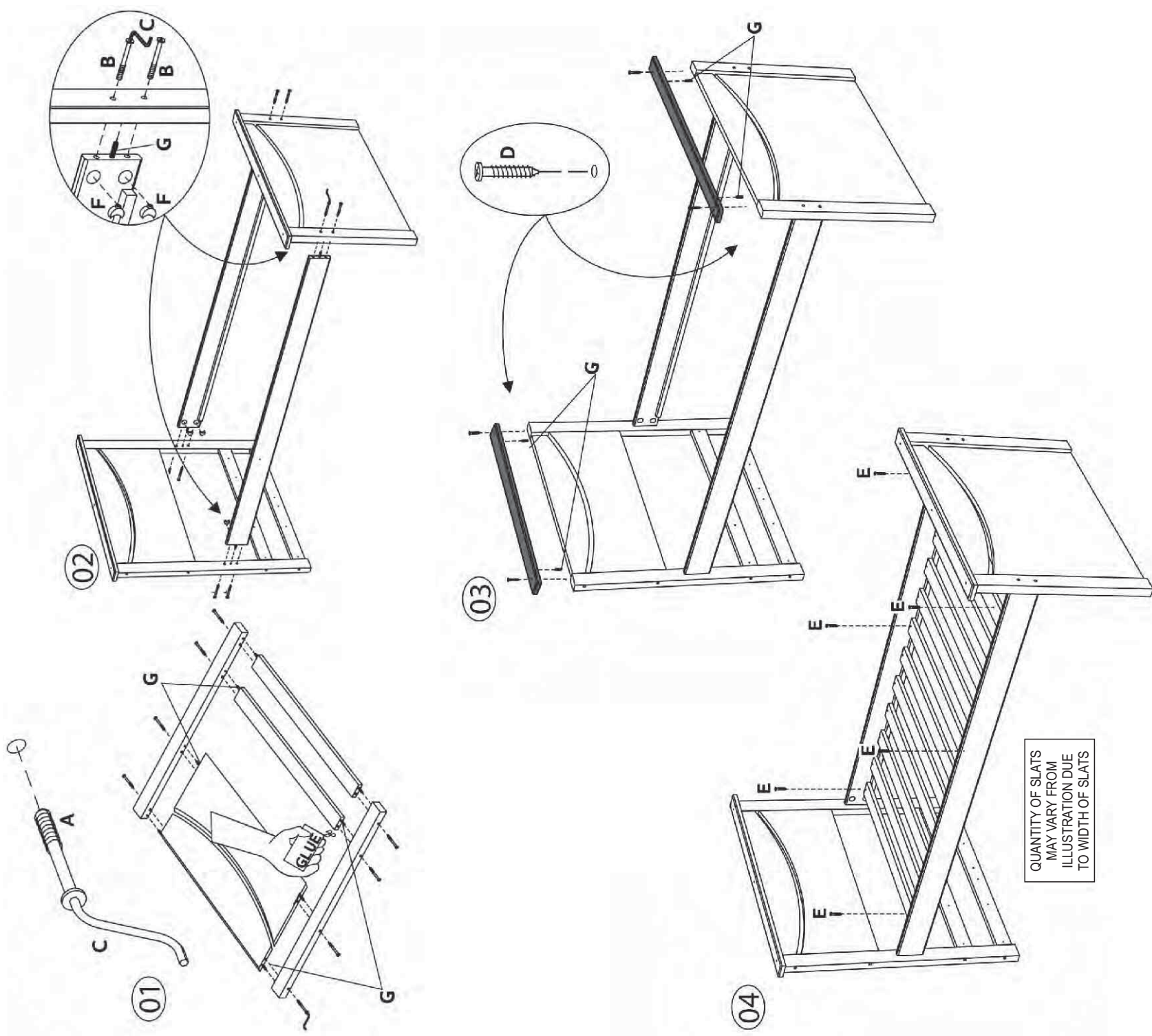
	A		08
		7.0 x 110	
	B		08
		1/4" x 70	
	C		01
	D		06
		5.0 x 35	
	E		06
		3.5 x 35	
	F		08
		1/4"	
	G		16
		8.0 x 40	
	H		01
		GLUE	

In the unlikely event that this product has missing or damaged parts please call 0800 146588 to obtain spares.



Assembly Instructions

Please lay out all of the parts prior to assembly



Assembly Instructions

ATTENTION - PLEASE

ALTHOUGH DESIGN ON THE ASSEMBLY MAY DIFFER FROM THE ACTUAL BED, IT DOES NOT AFFECT THE WAY THE BEDS ARE ASSEMBLED.

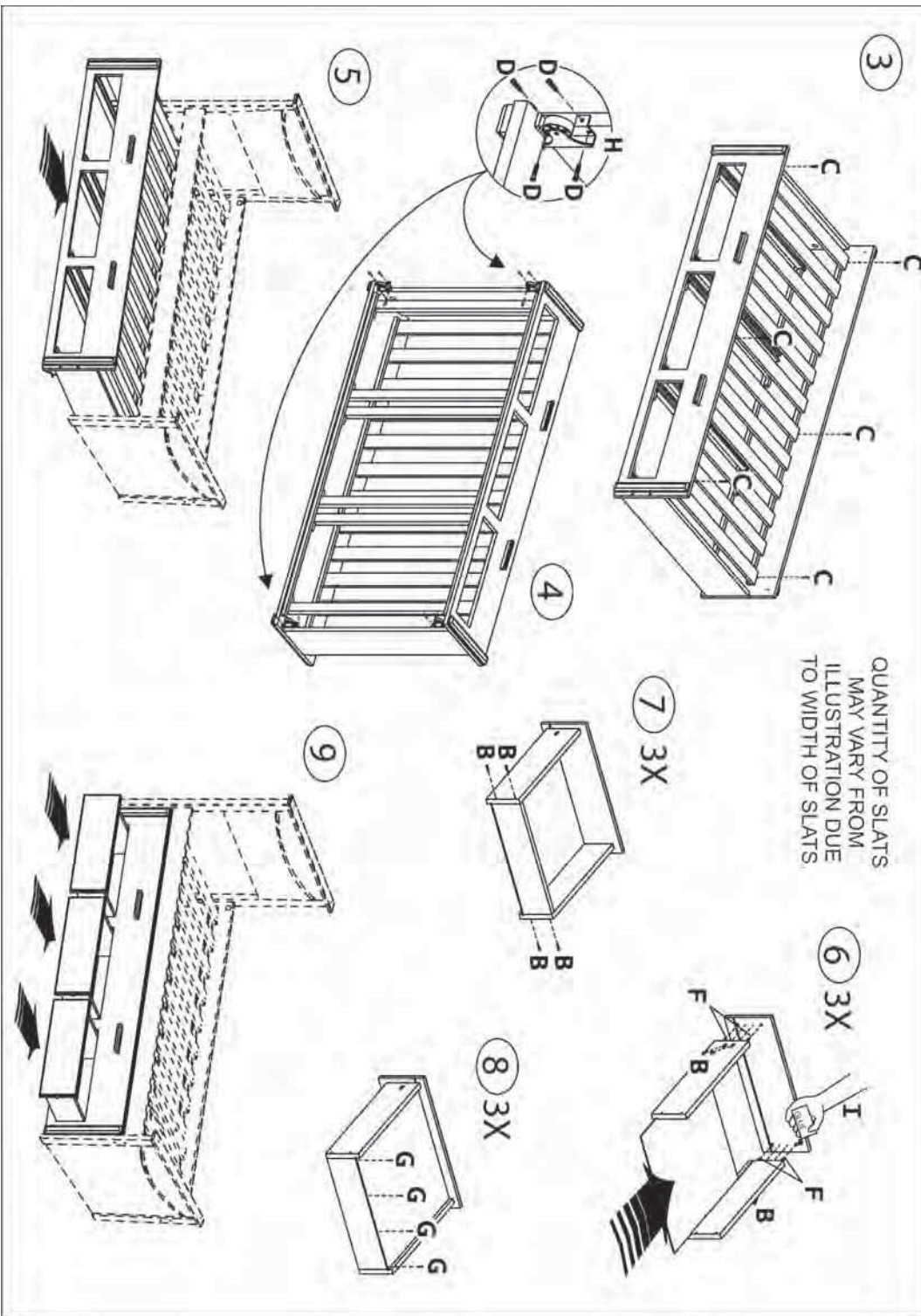
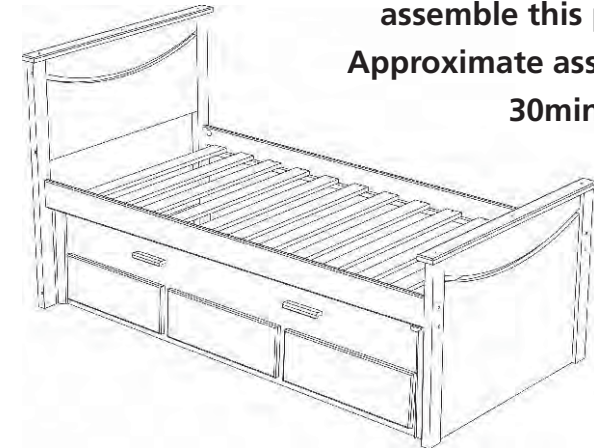
THIS IS FOR GUIDANCE ONLY - Please lay out all of the parts prior to assembly



Bilbao Guest Bed

Assembly Instructions

Minimum number of people to assemble this product: 2
 Approximate assembly time: 30mins



Before you start, here is some helpful advice.

1. We suggest you spend a short time reading through this leaflet and then follow the step by step instructions.
2. If you follow the instructions carefully the end result should be worth the effort.
3. Do not discard any of the packaging until you have checked that you have all of the parts and the pack of fittings.
4. Assemble this product on a carpet.
5. To ensure an easier assembly, we strongly advise that all fittings are only finger tight during initial assembly. Only upon completion of the assembly should all fixings be fully tightened.
6. We recommend a periodic check on all fixing points to make sure they remain tight.
7. Keep glue and fittings out of children's reach.

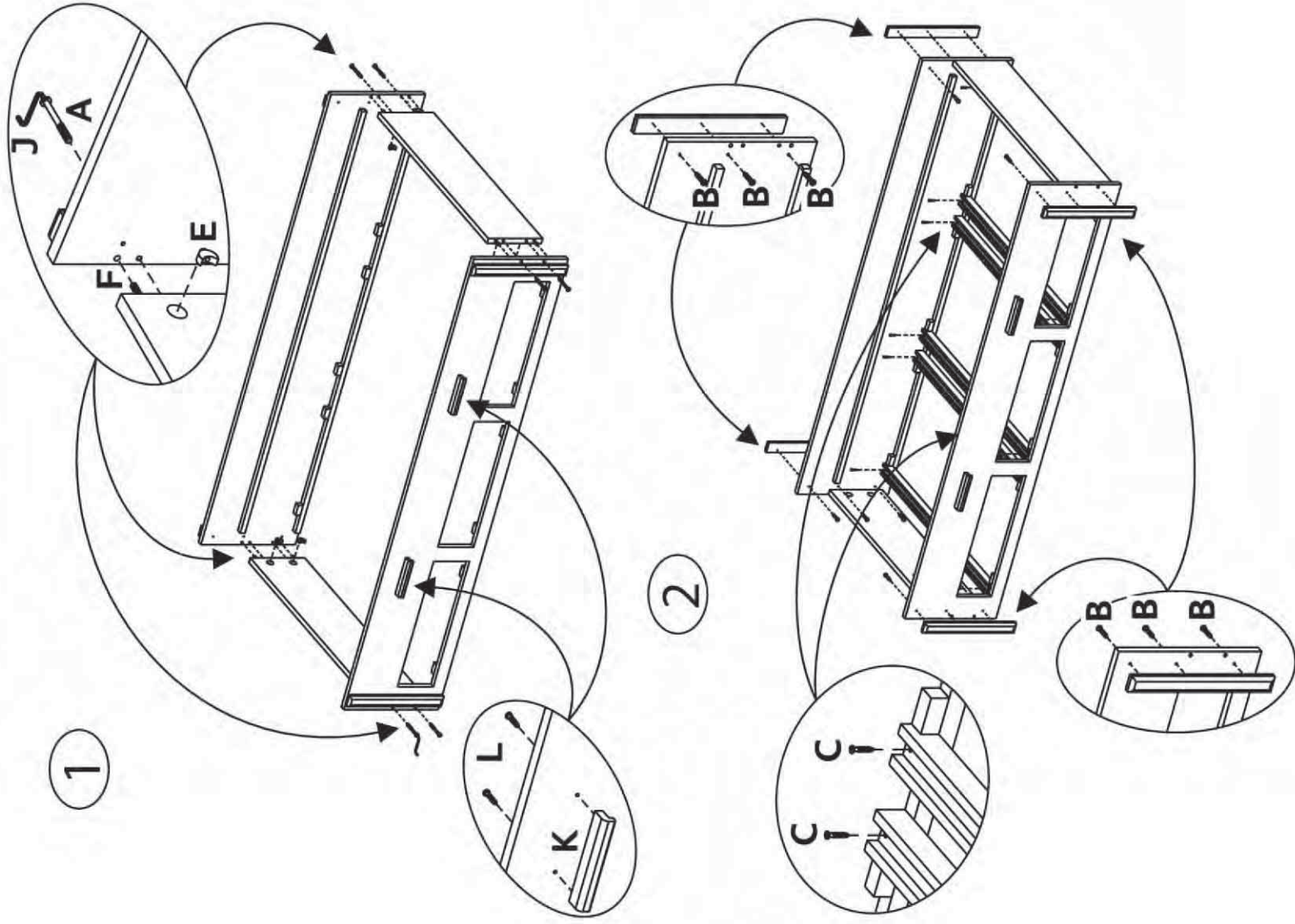
A		1/4" x 80	08
B		5.0 x 35	36
C		3.5 x 35	18
D		4.0 x 16	16
E		1/4"	08
F		8.0 x 40	20
G		8 x 8	15
H			04
I		GLUE	01
J			01
K			02
L		4.5 x 30	04

In the unlikely event that this product has missing or damaged parts please call 0800 146588 to obtain spares.



Assembly Instructions

Please lay out all of the parts prior to assembly



Assembly Instructions

ATTENTION - PLEASE

ALTHOUGH DESIGN ON THE ASSEMBLY MAY DIFFER FROM THE ACTUAL BED, IT DOES NOT AFFECT THE WAY THE BEDS ARE ASSEMBLED.

THIS IS FOR GUIDANCE ONLY - Please lay out all of the parts prior to assembly