

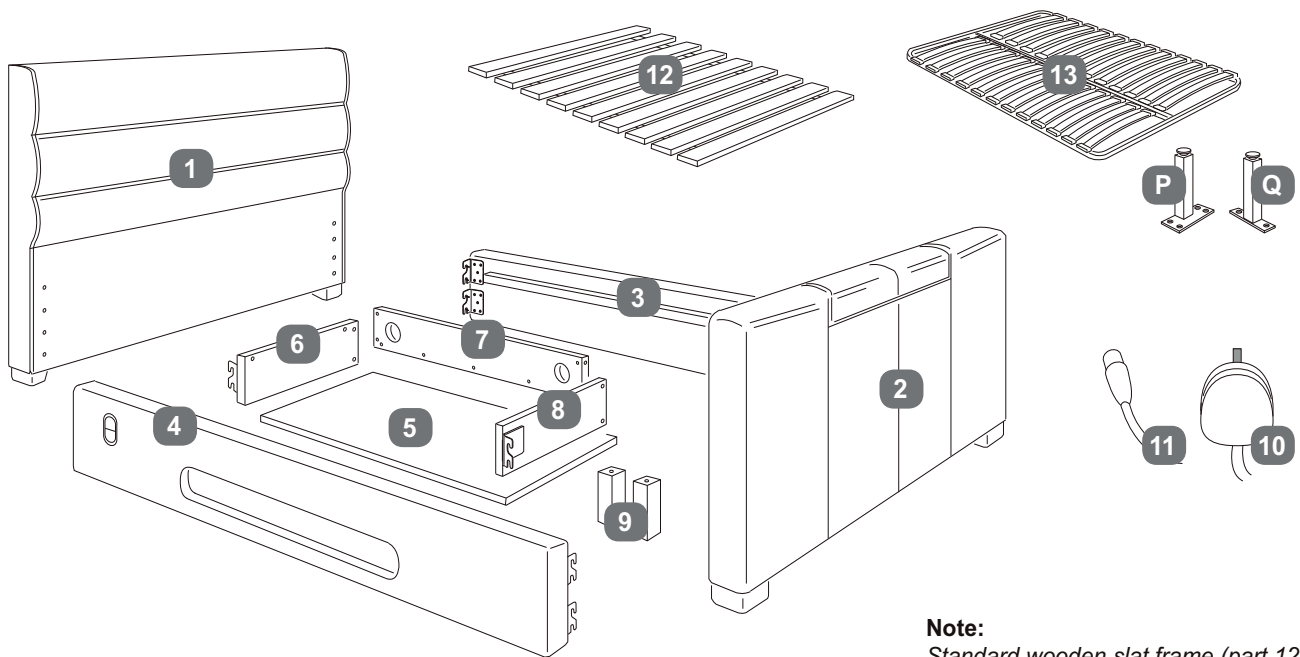
**PLEASE READ** this sheet prior to assembly, to familiarise yourself with the various stages of construction. Carefully open the hardware pack supplied in the accessory box and check the contents against the parts and fittings check list in the AI. Do not destroy any of the packaging until you are certain that you have all the necessary parts for the assembly.

**Please ensure that the packaging is disposed of in a safe environmentally friendly way.**

**CAUTION:** There are small components used in the construction of this unit. These loose items should be kept away from young children whilst assembling your unit to avoid the danger of choking hazards.

**IMPORTANT: BEFORE OPERATING THE TV LIFT, REMOVE ALL TRANSIT PACKING & ANY WRAPPING FROM INSIDE OF THE FOOTBOARD.**

### Parts Identification



**Note:**  
Standard wooden slat frame (part 12)  
Upgraded sprung slat frame (part 13)

### Parts Checklist

Ref.	Description	Qty	Ref.	Description	Qty
1	Headboard	1	9	Media Tray Support Legs	2
2	Footboard	1	10	Power Lead	1
3	Right Side Panel	1	11	Aerial Lead	1
4	Left Side Panel	1			
5	Media Tray Base Panel	1	12	Wooden Slats	1 Set
6	Media Tray Left Side Panel	1	13	Metal Sprung Slat System*	1 Frame
7	Media Tray Back Panel	1	P	Centre Support Leg*	1
8	Media Tray Right Side Panel	1	Q	Support Leg*	2

\*Only supplied if upgraded sprung system chosen

## Fittings Checklist

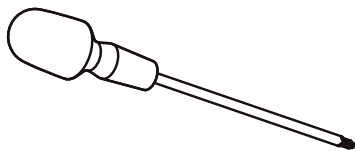
Code	Description	Qty	Code	Description	Qty
A	Bolt (M8x30mm)	x22	I	Remote Switch	x2
B	Spring Washer	x20	J	Sleeve Nut (M6x16mm)	x6
C	Washer (17x8mm)	x20	K	Bolt (M6x40mm)	x6
D	Screw (3x20mm)	x4	L	Adjustable Foot	x2
E	Screw (5x50mm)	x13	M	Cable Clip	x2
F	Allen Key (8mm)	x1	N	Allen Key (6mm)	x1
G	Washer (16x6mm)	x6	R	Spare Battery - CR2016	x3
H	Barrel Nut	x13	O	Bolt (M6x15mm)	x8

Fitting 'O' is part of the fittings pack supplied with the sprung slat frame.

## TV INSTALLATION KIT

S	Screw-Washer set	x4	T	Allen Key	x1
U	Spanner	x1			

## Additional Tools Required



Crosshead Screwdriver

## Care & Maintenance

In the unlikely event of missing or damaged parts, please contact the customer service team on 08442 920000. When calling this number, please quote the part code reference numbers shown in this leaflet, to properly identify spare or replacement parts.

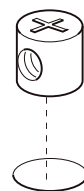
## General Hints & Tips



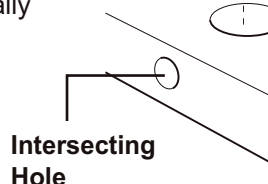
Please retain your Assembly Instruction and tools provided, for future use. Periodically check that all bolts are still tight.



This assembly requires two people.



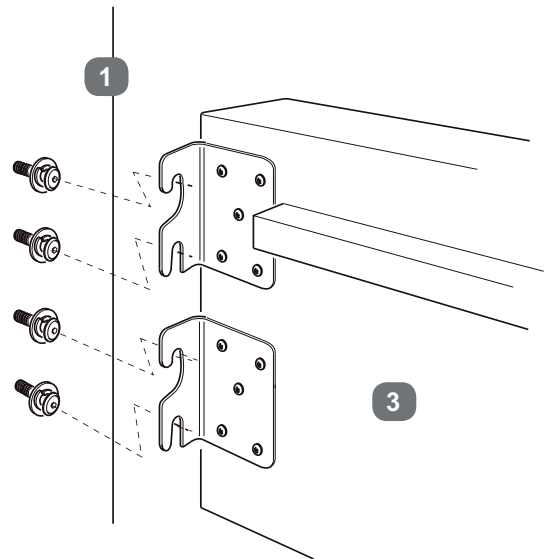
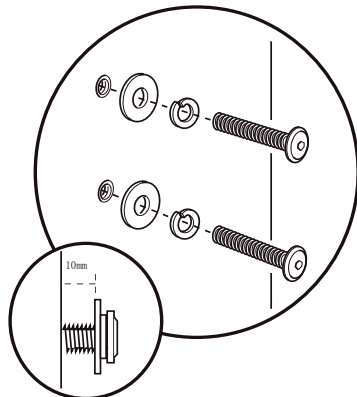
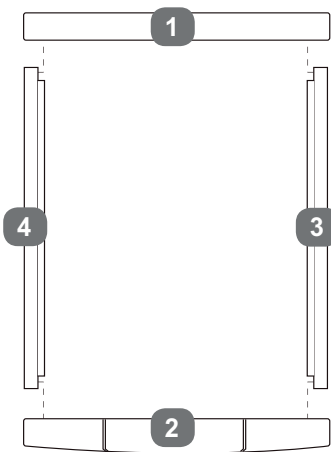
When fitting barrel nuts into the panels, ensure they are fitted the correct way so the hole is facing towards the intersecting hole.



We recommend the bed is assembled in the room it will be located in.

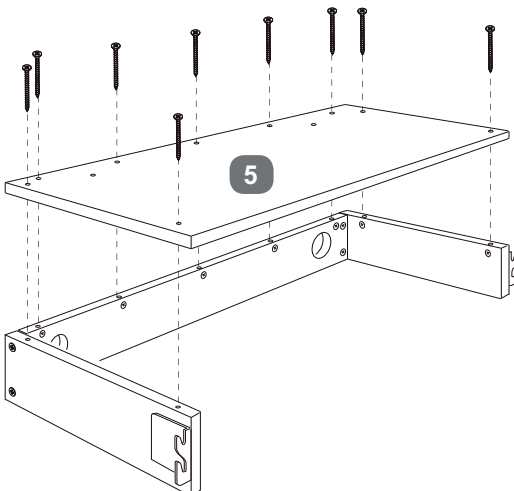
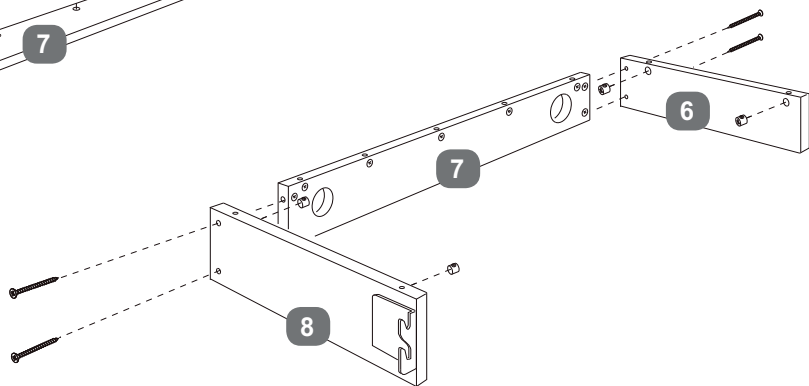
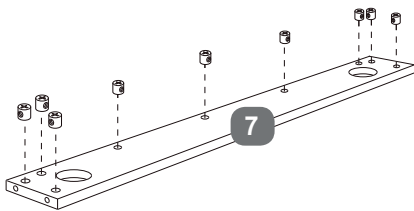
# Bed Assembly

Stage  
1



Fit the bolts (A), spring washers (B), and flat washers (C) to the holes in the headboard and footboard (1 & 2) as shown. Note: Do not fully locate the bolts, but leave 10mm protruding. Fit the side panels (3 & 4) to the head and footboards locating the brackets behind the flat washers. Once all four corners are located, fully tighten the bolts using the allen key (F).

Stage  
2



Fit the barrel nuts (H), to the Media Tray back panel (7), making sure the screw hole aligns with the intersecting hole (see hints & tips section).

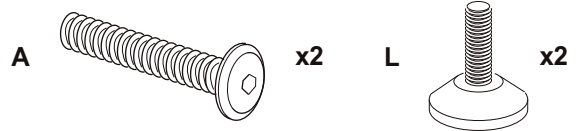
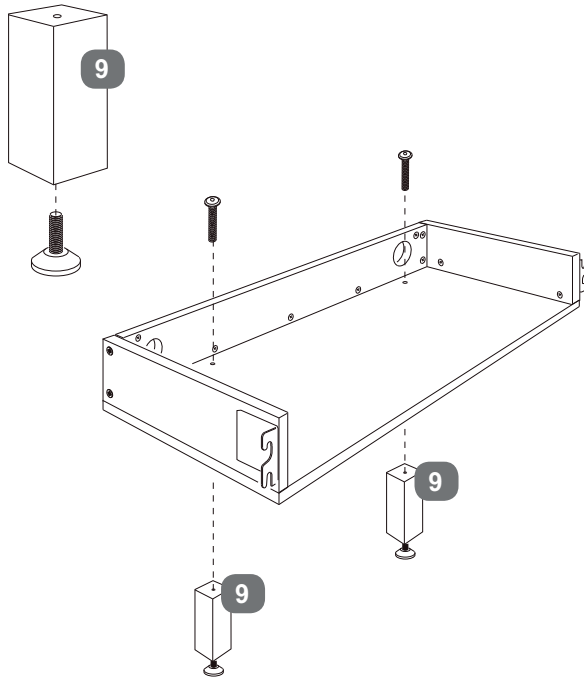
Fit the tray side panels (6 & 8), to the back panel (7) using the screws (E) into the barrel nuts.

Fit barrel nuts (H) to the inside sides of the tray side panels as shown.

Fit the tray base panel (5) using the screws (E) to secure through into the barrel nuts previously fitted.

## Bed Assembly continued

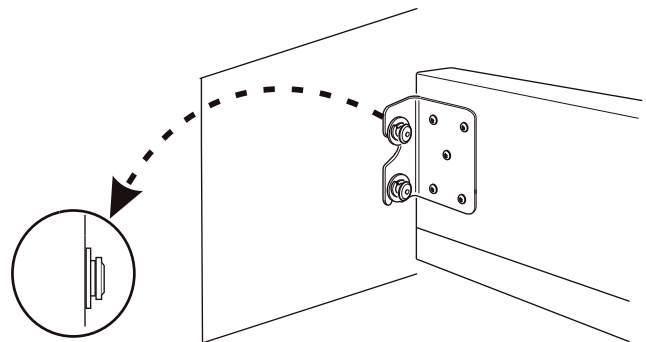
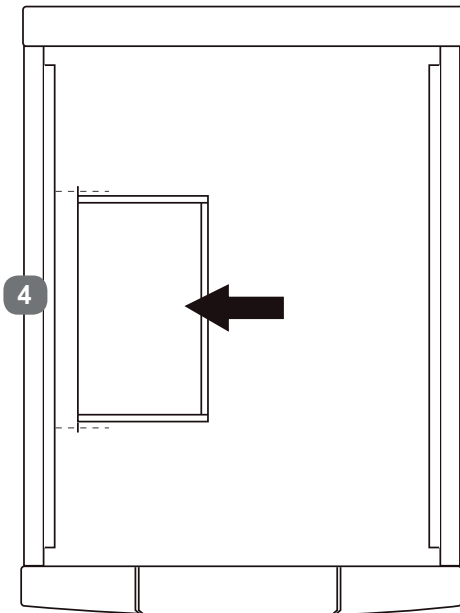
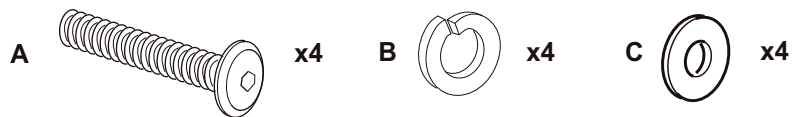
Stage  
3



Fit the adjustable feet (L) to the underside of the tray support legs (9) screw into place.

Fit the support legs (9) to the underside of the tray base panel using the bolts (A) to secure. Fully tighten using the allen key (F).

Stage  
4



Push bolt (A) through spring washer (B) and flat washer (C), Hold tray firmly against side rail (4) as shown and screw in x4 bolts. When all screwed in place, tighten bolts 100%.

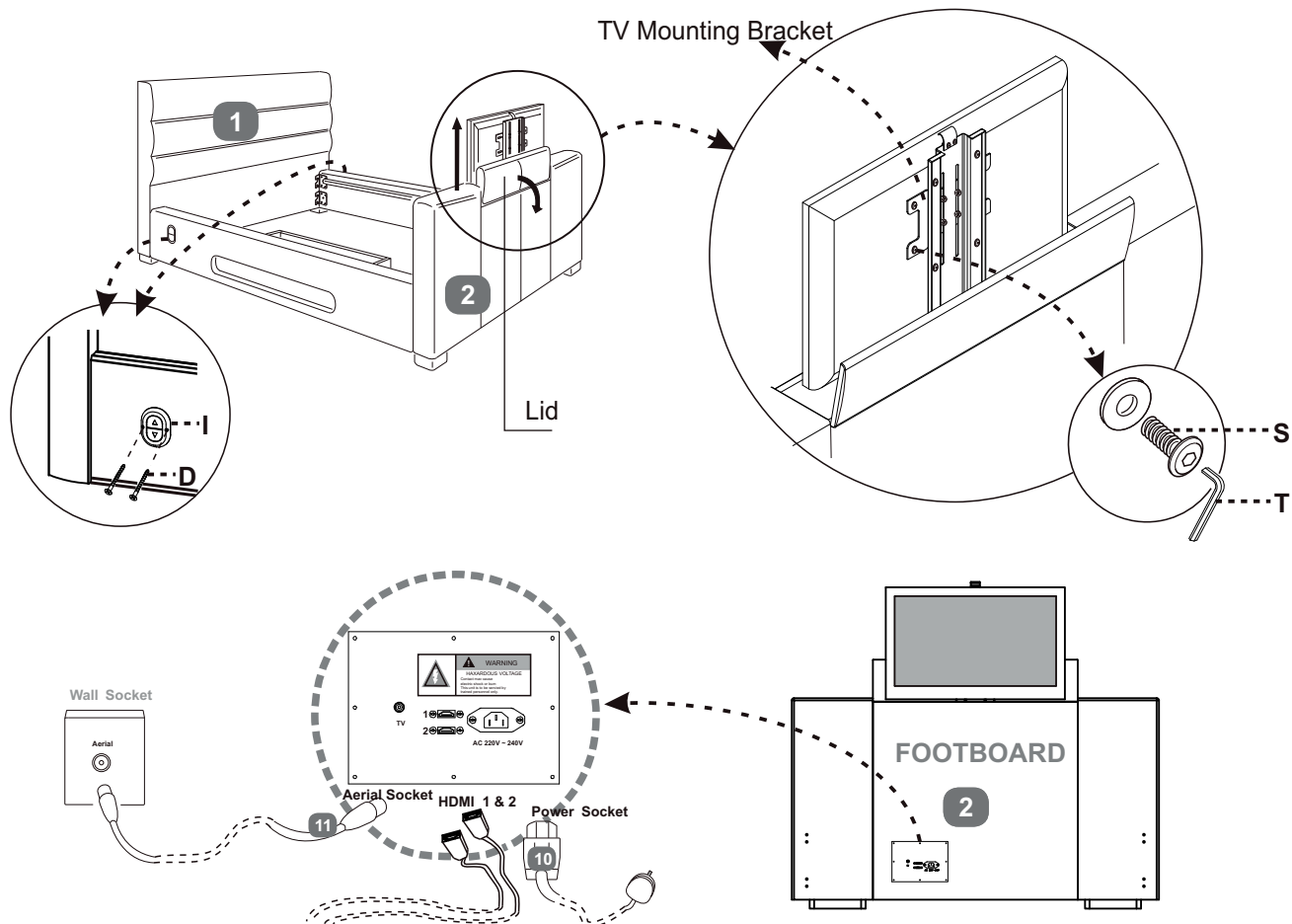
Adjust the feet (L) so bottom of tray is level.

## Bed Assembly continued

Stage  
5



### TV INSTALLATION KIT



### Television Installation

Before fixing the slats to the Bedstead, please follow the television installation instructions below.

1. Connect the power cable (10) and aerial cable (11) to the sockets located at the bottom of the footboard (2) and then connect to your wall sockets. Connect media using the HDMI sockets (HDMI cables not supplied).
2. Raise the TV lift by pressing one of the UP buttons located on either side rail of the bed.
3. Unpack your television and remove the four 'VESA' screws from the back of the TV or from the TV package. Connect the television to the TV mounting bracket using the screw-washer set (S).
4. If necessary you can use the spanner to adjust the bracket up and down to align with the screw fixing points on the back of the television.  
Carefully tighten the screw (S) using the allen key (T) - the spanner & allen key can be found in the TV installation kit, in the main hardware pack.
5. Connect the power and aerial cables to the television making sure the cables are not loose. If necessary use spare clips (M) to route cables safely.
6. The television can now be operated following the manufacturers handbook.
7. To lower the television back into the footboard, press one of the side rail DOWN buttons.  
When DOWN button is pressed, TV will retract into footboard and turn off automatically at the bottom.  
When UP button is pressed - TV rises back and turns itself back on automatically.

### TROUBLESHOOTING

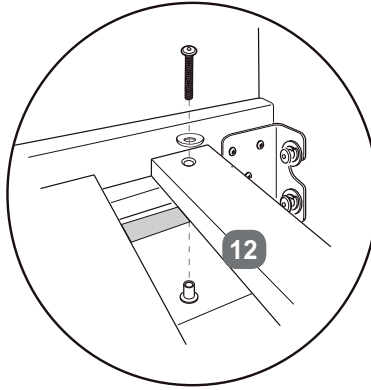
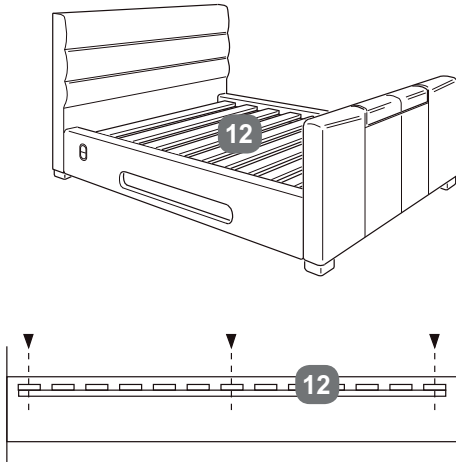
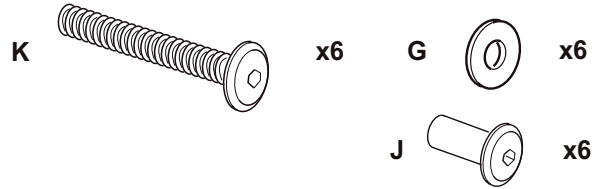
1. If your television does not operate please check all the power connections both to the wall and to the socket on the footboard.
2. If you TV Lift does not operate, try both of the switches mounted on each side of the bed to check if both are NOT working. If only one operates change the batteries in the one not working - see following instructions.
3. If either the television or TV Lift still fails to operate there may be a problem that can be checked by our technicians. Call the Customer Services number for help and information - 08442 92000.

**IMPORTANT: Care should be taken when connecting electrical items. If in any doubt over the connections please consult a qualified electrician.**

# Bed Assembly continued

Stage  
6

## BED SLAT FIXING



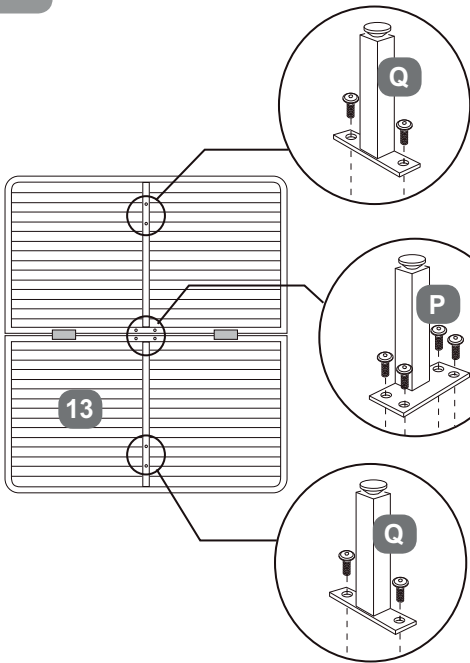
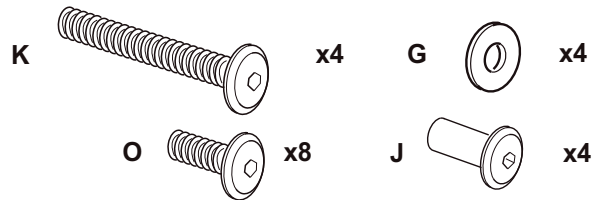
Lay the set of slats (12) onto the metal slat support rails, on each side of the bed.

Align the first and last slat with the end of the rails, and secure in place using the bolts (K), washers (G) and sleeve nuts (J). Fully tighten using the allen key (N).

Once ends are secure, fix two bolt sets to centre slat, so all 6 sets are used.

Stage  
6a

## UPGRADE SPRUNG SLAT SYSTEM



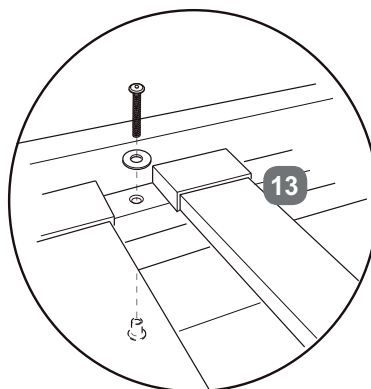
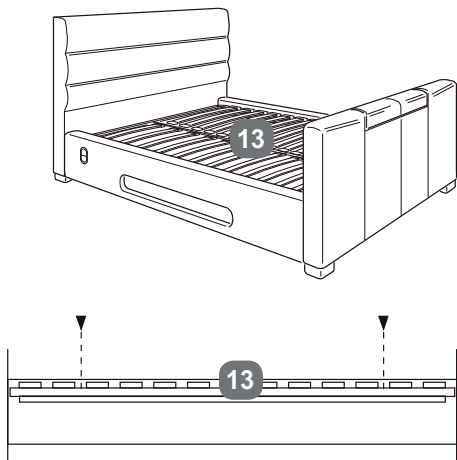
Open the metal slat frame and lay face down on the working surface.

Fit the support legs (P & Q) to the positions shown, securing with the bolts (O). Fully tighten using the allen key (N).

Carefully turn the slat frame over, and position onto the metal slat support rails. Align the frame with the fixing holes at each end of the rail and secure using just 4 sets of the bolts (K), washers (G) and sleeve nuts (J). Fully tighten using the allen key (N).

**Finally, please ensure that all bolts are fully tightened before the bed is used.**

**EITHER 12 OR 13 WILL BE SUPPLIED - BOXED SEPARATELY.**



## Changing the batteries in the remote switch

Battery specification : CR 2016 x3

Tool Requirement : Small Crosshead screwdriver.

Carefully follow these instructions to re-place the batteries;

Step 1: Remove screws (D) and take the switch (I) out of the side panel.

Step 2: Turn switch over & slide off the battery cover.

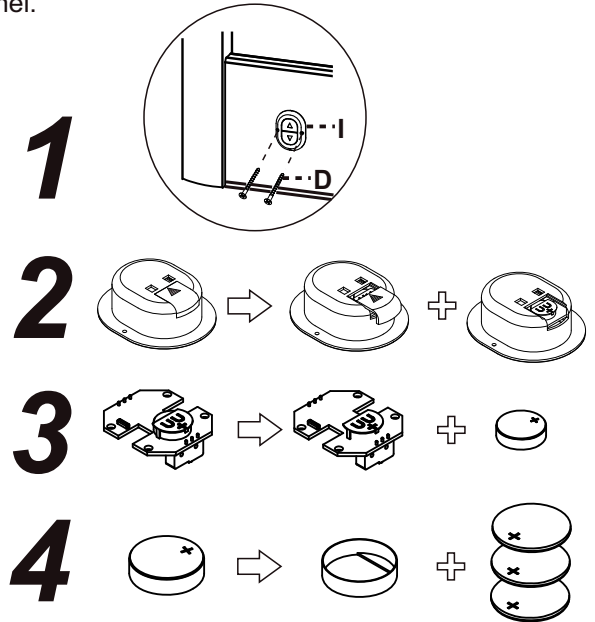
Step 3: Slide out the round case holding the batteries.

Step 4: From round case take out the three batteries noting the way they are placed.

Change all three batteries taking care to make sure + sides remains pointing upwards.

Re - insert into plastic case and slide back into position in the switch. Make sure + side is upward touching the +mark on the terminal.

Test the switch - you can do this outside the side panel of the bed.  
When tested, re-place in side panel the correct way round.



Note, the remote switch and controller have a self protection (A) & child-safety feature (B).

(A) If buttons are pressed in quick succession, you may need to press UP or DOWN button twice to operate the motor of the TV Lift... this is normal and is nothing to be concerned about - it is a feature to protect the controller system.

(B) If TV lift has been down in the rest position for a few minutes, it will be necessary to press DOWN button once, THEN press UP button TWICE, to raise the TV lift. Pressing the button in this sequence "wakes" the controller from child safety mode, then it will operate normally.