

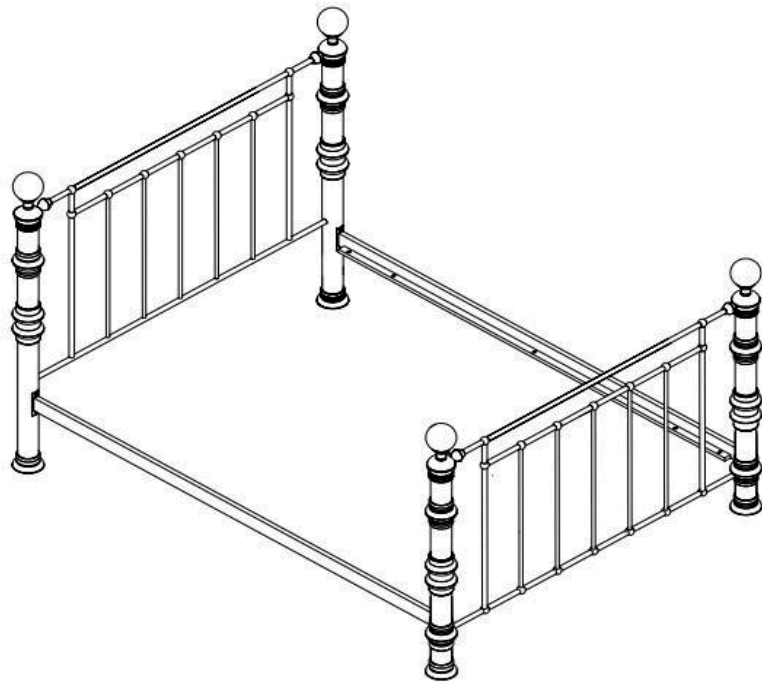


211-00990 (Solid slats)

Aurora Double Bed

211-00991 (Sprung slats)

Assembly Instructions



Minimum No. of people
recommended to assemble
this product:

2

Approx assembly time:

1/2
hours

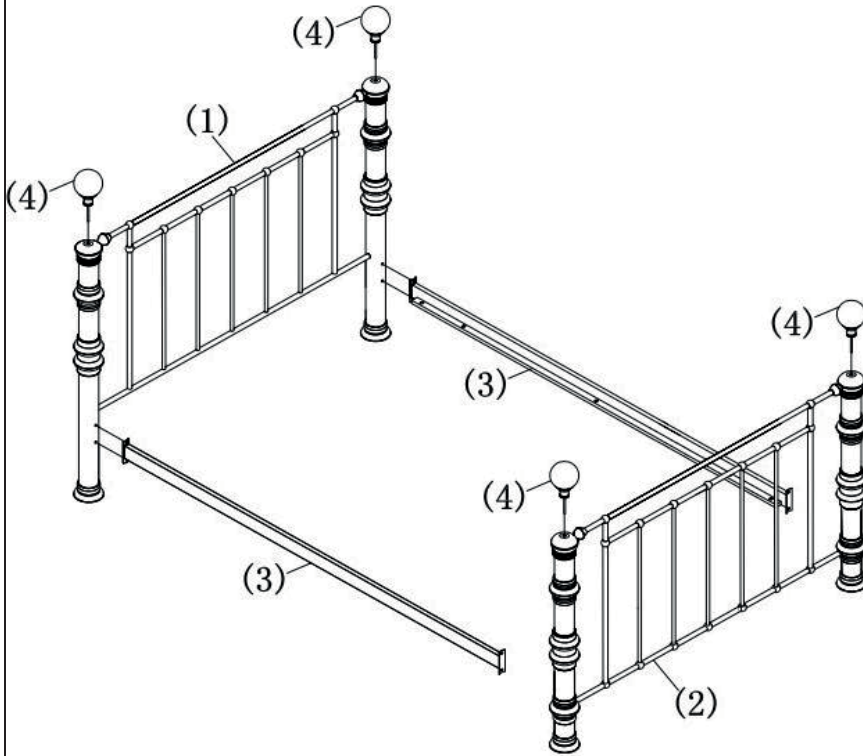
Before you Start, here are some helpful advices.

1. We suggest you spend a short time reading through this leaflet and then follow the simple step by step instructions.
2. If you follow the instructions carefully the end result should be worth the effort.
3. Do not discard any of the packaging until you have checked that you have all the parts and the pack of fittings.
4. Assemble this product on a carpet.
5. To ensure an easier assembly, we strongly advise that all fittings are only finger tightened during initial assembly. Only upon completion of the. Assembly should all fixing points be fully tightened.
6. We recommend a periodic check on all fixing points to make sure they remain fully tightened.
7. Keep glue and fittings out of children's reach.

In the unlikely event that this product has missing or damaged parts, please call 08442 920000 to obtain spares

PARTS

Fittings



NO.	PART LIST	QTY
(1)	Headboard	1
(2)	Footboard	1
(3)	Side Rails	2
(4)	Finials	4

A



M6x 20mm x 8pcs

B



M6x 35mm x 6pcs

C



M6 x 6pcs

D



Metal Washer x 14 pcs

E



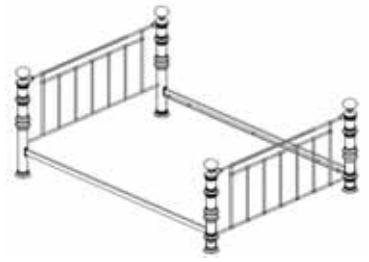
Plastic Washer x 8 pcs

F



Allen key x 2pcs

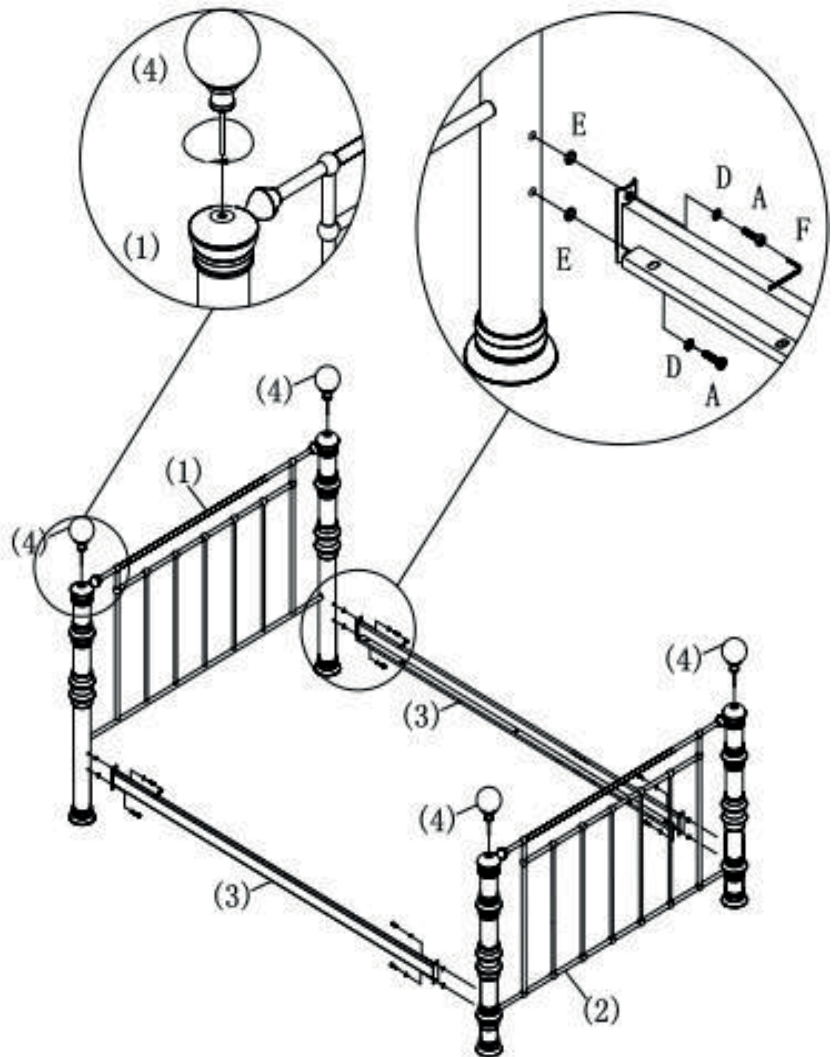
ASSEMBLY



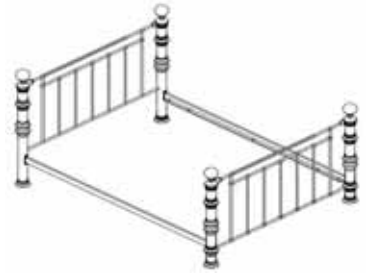
STEP 1

(1) Use bolt A, washer D and plastic washer E to fix the side rail (3) onto headboard (1) and footboard (2) by using Allen Key (F).

(2) Attach the finials (4) onto headboard (1) and footboard (2) by turning it clock-wise.



ASSEMBLY



NOTE: Slats not supplied shown for reference only.

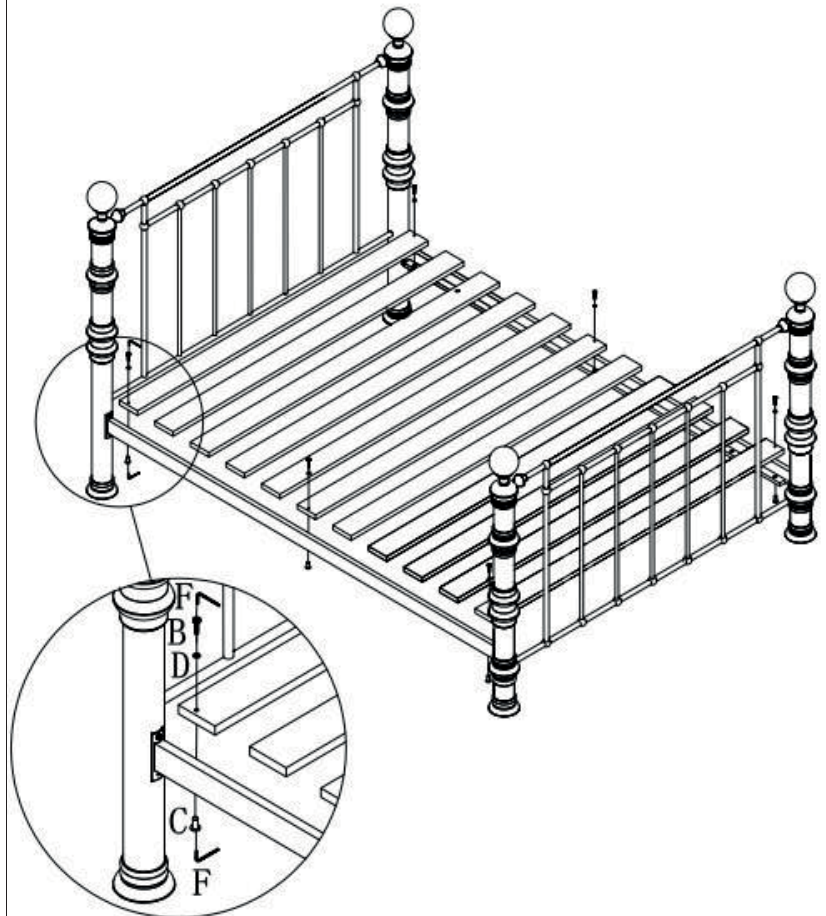
Both slats on "step 2" and "step 3" can be assembled to the bedstead. you can make a choice between the two slats.

OPTION "A": DREAMS FIXED WOOD SLATS

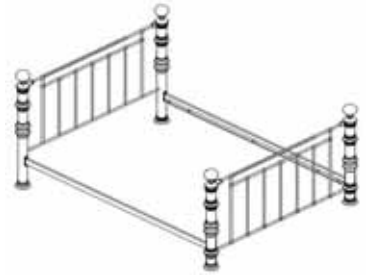
(1) Carefully locate the slats onto the unit.

(2) Use bolt (B) and JCN nut (C) to fix the unit using Allen Key (F)

STEP 2



ASSEMBLY



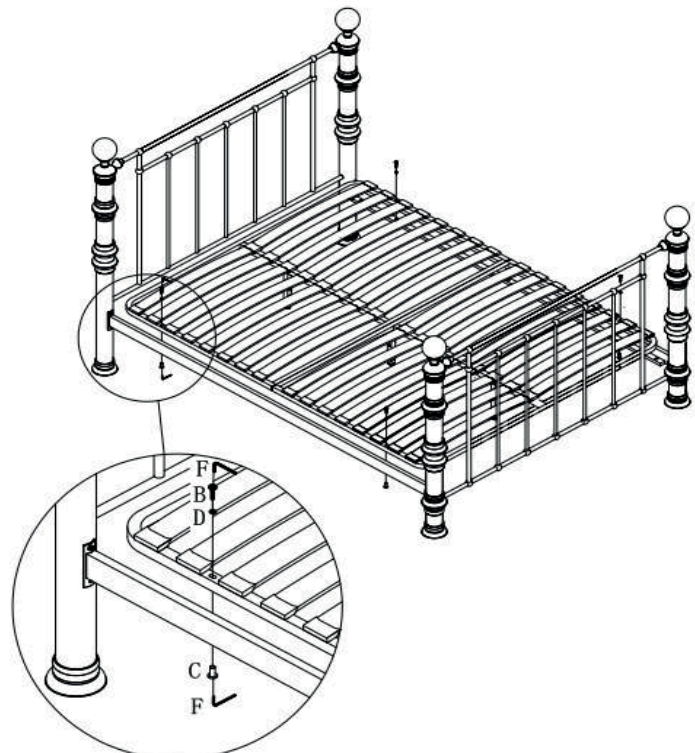
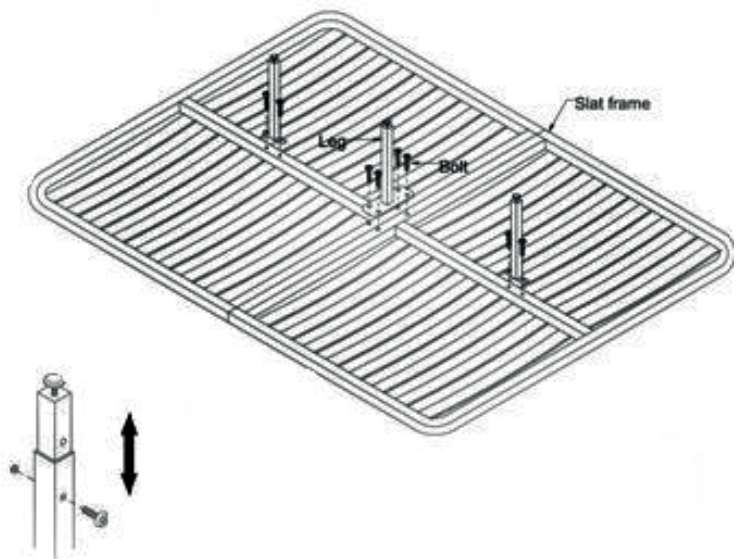
OPTION "B": DREAMS SPRUNG SLATS

(1) Use the bolt to fix support leg onto the slat frame. Please note that these bolts are to be found inside the slat frame box.

(2) Carefully locate the slats onto the unit.

(3) Use bolt (B) and JCN nut (C) to fix the unit using Allen Key (F).

STEP 3

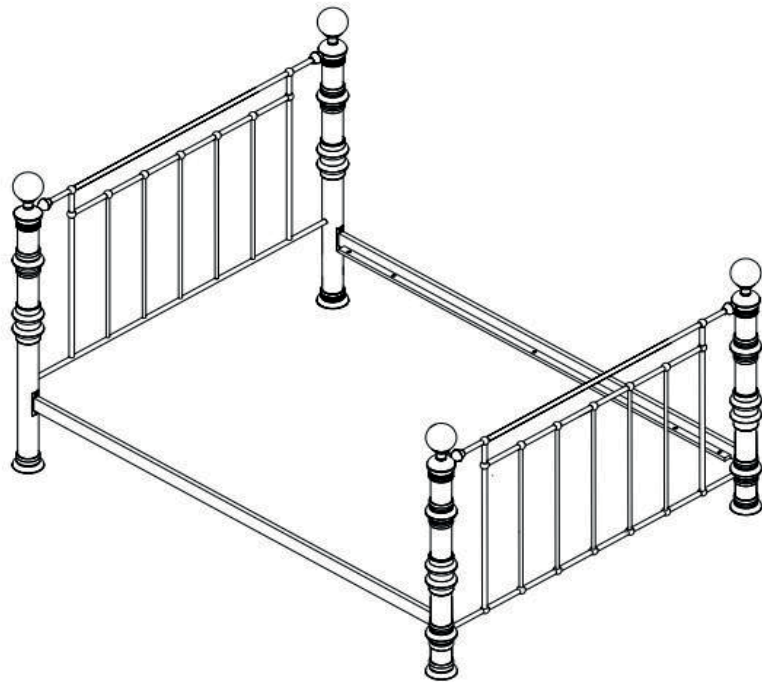




215-00953 (Solid slats)

Aurora King Bed 215-00954 (Sprung slats)

Assembly Instructions



Minimum No. of people recommended to assemble this product:

2

Approx assembly time:

1/2 hours

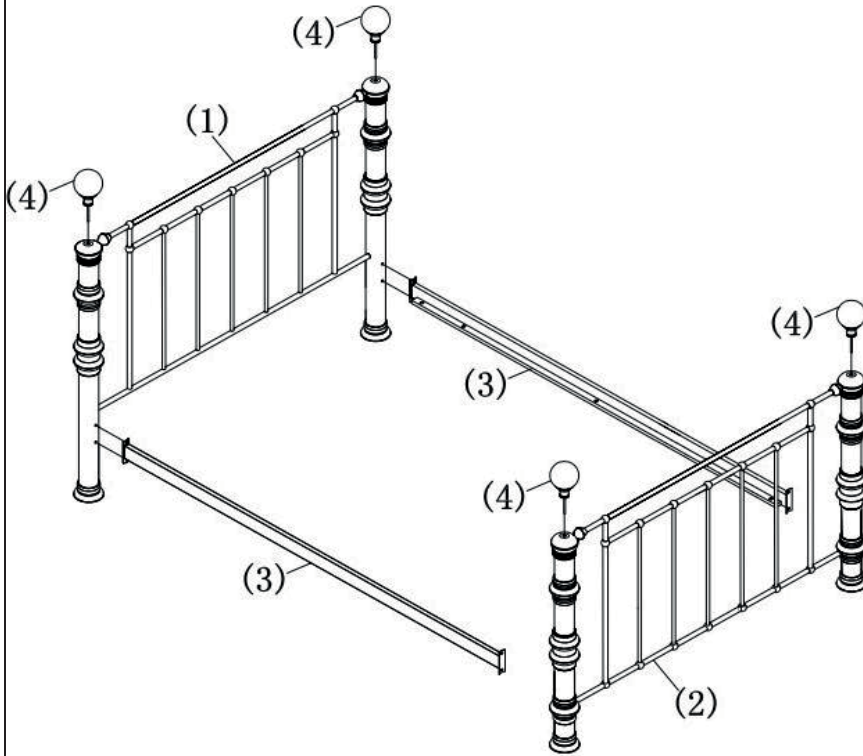
Before you Start, here are some helpful advices.

1. We suggest you spend a short time reading through this leaflet and then follow the simple step by step instructions.
2. If you follow the instructions carefully the end result should be worth the effort.
3. Do not discard any of the packaging until you have checked that you have all the parts and the pack of fittings.
4. Assemble this product on a carpet.
5. To ensure an easier assembly, we strongly advise that all fittings are only finger tightened during initial assembly. Only upon completion of the Assembly should all fixing points be fully tightened.
6. We recommend a periodic check on all fixing points to make sure they remain fully tightened.
7. Keep glue and fittings out of children's reach.

In the unlikely event that this product has missing or damaged parts, please call 08442 920000 to obtain spares

PARTS

Fittings



NO.	PART LIST	QTY
(1)	Headboard	1
(2)	Footboard	1
(3)	Side Rails	2
(4)	Finials	4

A



M6 x 20mm x 8pcs

B



M6 x 35mm x 6pcs

C



M6 x 6pcs

D



Metal Washer x 14pcs

E



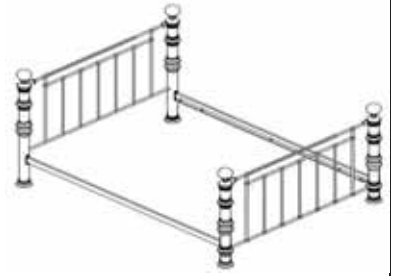
Plastic Washer x 8 pcs

F



Allen key x 2pcs

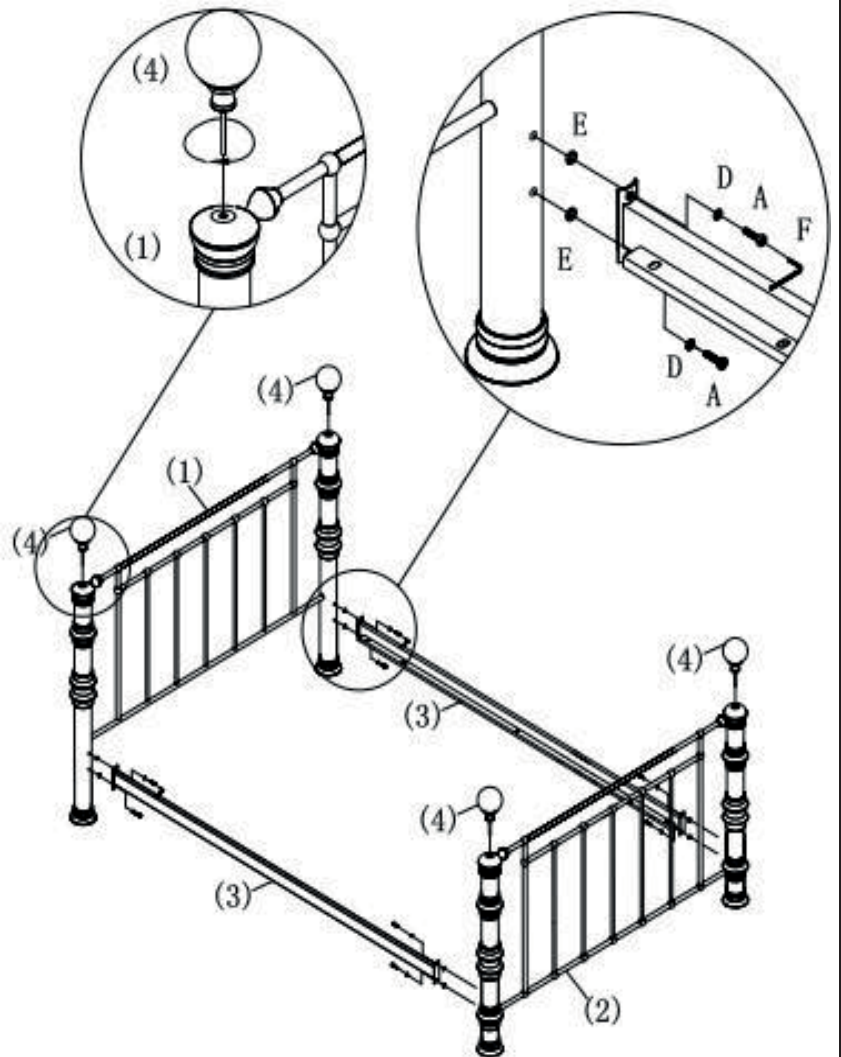
ASSEMBLY



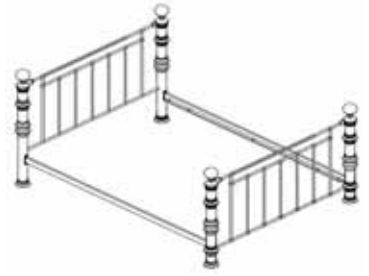
STEP 1

(1) Use bolt A, washer D and plastic washer E to fix the side rail (3) onto headboard (1) and footboard (2) by using Allen Key (F).

(2) Attach the finials (4) onto headboard (1) and footboard (2) by turning it clock-wise.



ASSEMBLY



STEP 2

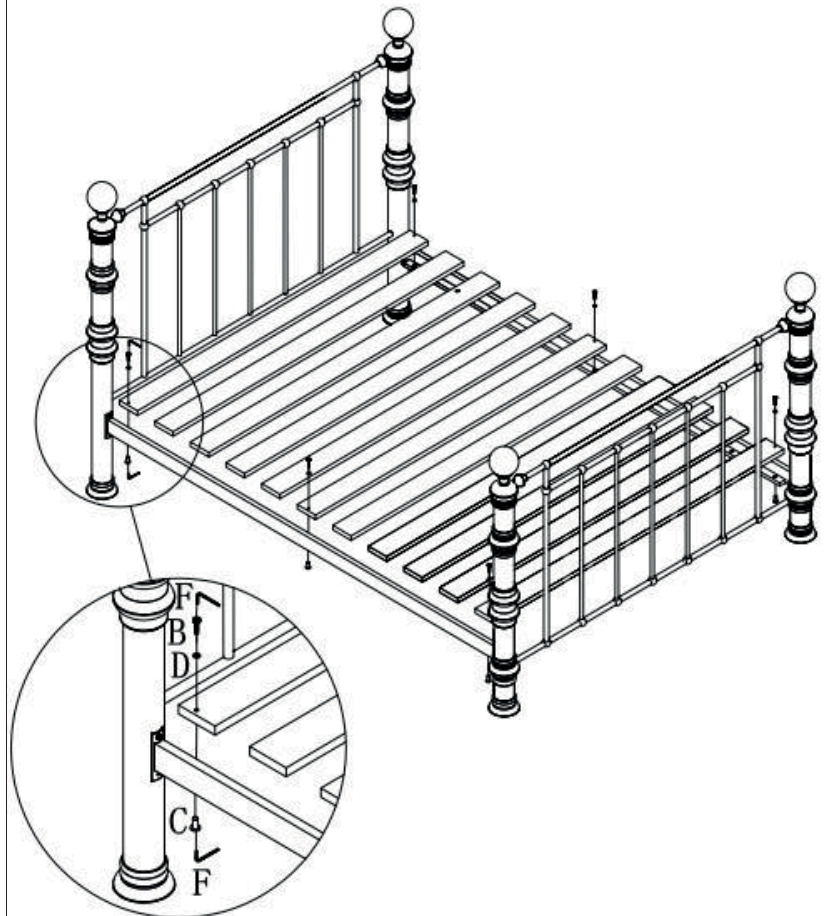
NOTE: Slats not supplied shown for reference only.

Both slats on "step 2" and "step 3" can be assembled to the bedstead. you can make a choice between the two slats.

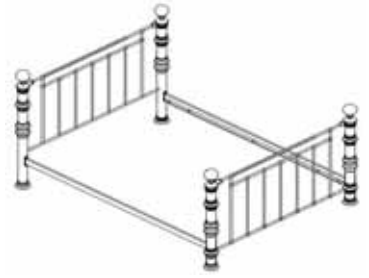
OPTION "A": DREAMS FIXED WOOD SLATS

(1) Carefully locate the slats onto the unit.

(2) Use bolt (B) and JCN nut (C) to fix the unit using Allen Key (F)



ASSEMBLY



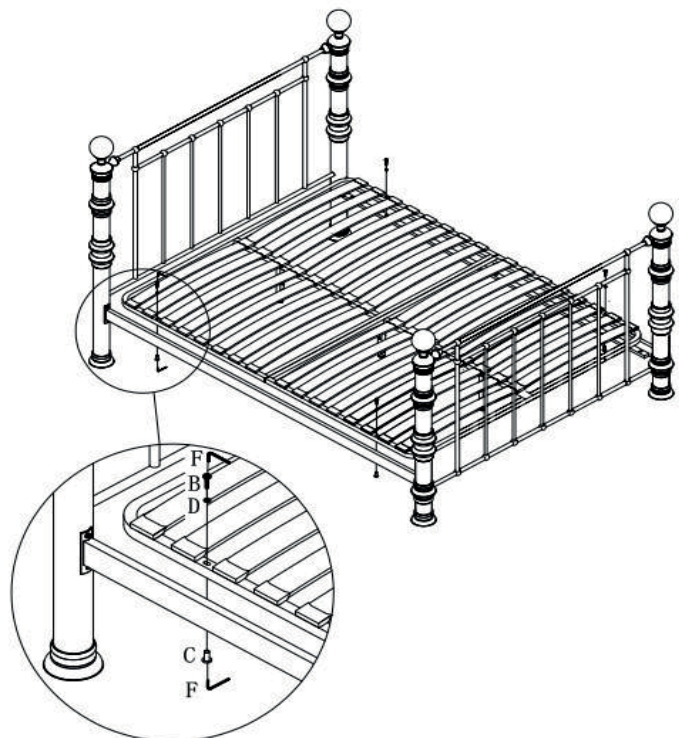
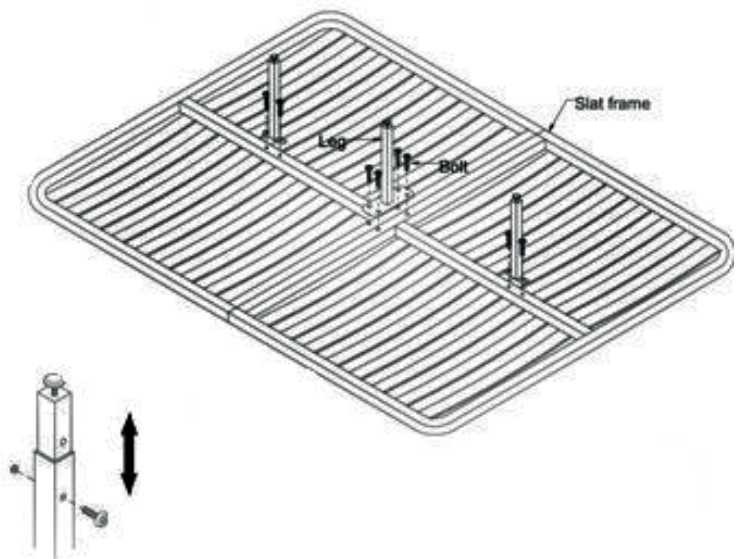
STEP 3

OPTION "B": DREAMS SPRUNG SLATS

(1) Use the bolt to fix support leg onto the slat frame. Please note that these bolts are to be found inside the slat frame box.

(2) Carefully locate the slats onto the unit.

(3) Use bolt (B) and JCN nut (C) to fix the unit using Allen Key (F).



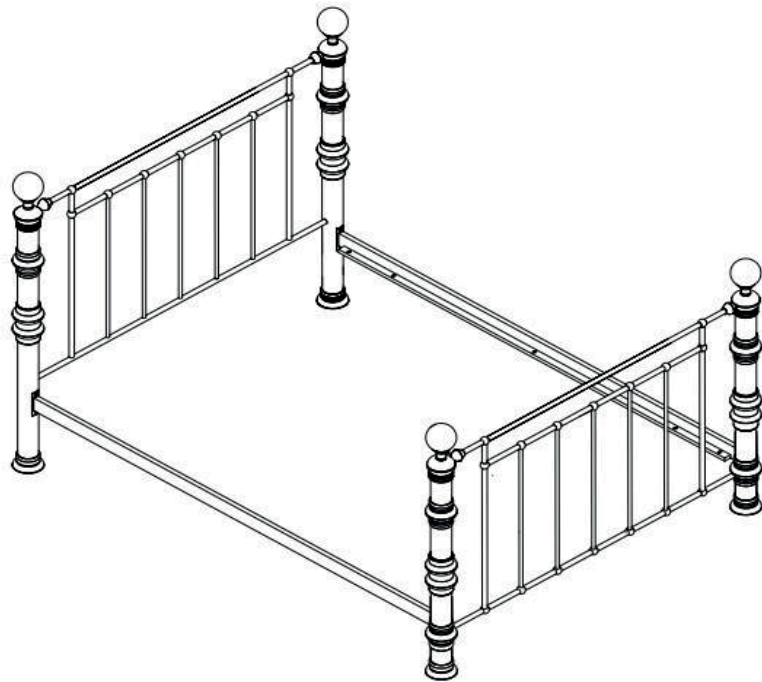


216-00452 (Solid slats)

Aurora Super king Bed

216-00453 (Sprung slats)

Assembly Instructions



Minimum No. of people recommended to assemble this product:

2

Approx assembly time:

1/2 hours

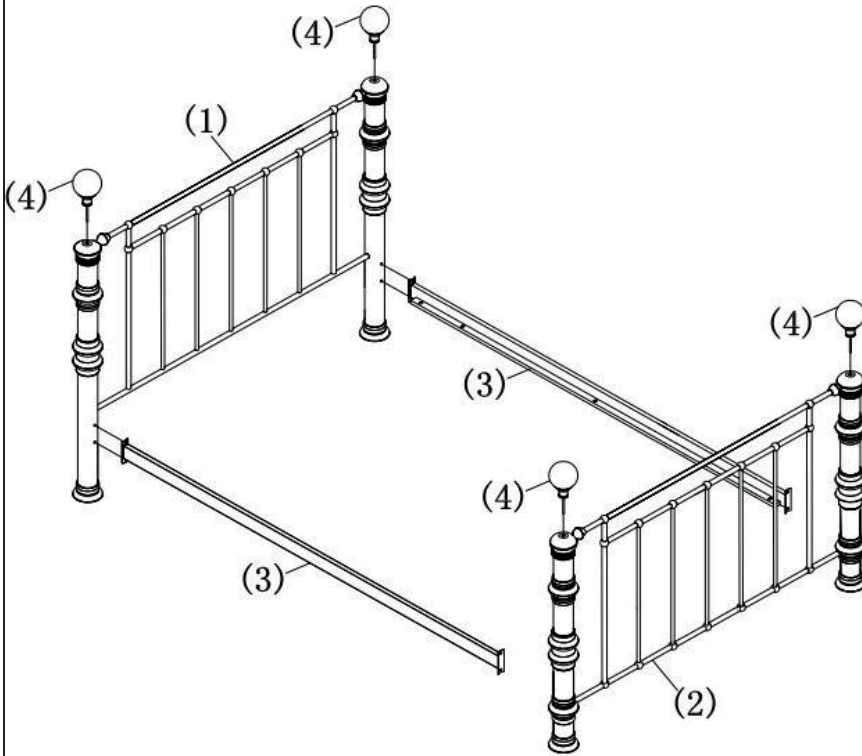
Before you Start, here are some helpful advices.

1. We suggest you spend a short time reading through this leaflet and then follow the simple step by step instructions.
2. If you follow the instructions carefully the end result should be worth the effort.
3. Do not discard any of the packaging until you have checked that you have all the parts and the pack of fittings.
4. Assemble this product on a carpet.
5. To ensure an easier assembly, we strongly advise that all fittings are only finger tightened during initial assembly. Only upon completion of the. Assembly should all fixing points be fully tightened.
6. We recommend a periodic check on all fixing points to make sure they remain fully tightened.
7. Keep glue and fittings out of children's reach.

In the unlikely event that this product has missing or damaged parts, please call 08442 920000 to obtain spares

PARTS

Fittings



NO.	PART LIST	QTY
(1)	Headboard	1
(2)	Footboard	1
(3)	Side Rails	2
(4)	Finials	4

A



M6x20mmx8pcs

B



M6x35mmx6pcs

C



M6x6pcs

D



Metal Washer x14pcs

E



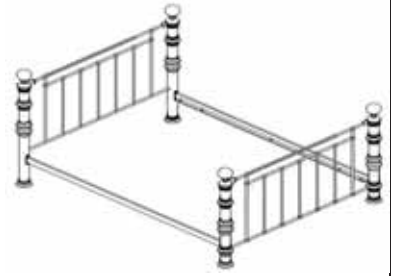
Plastic Washer x 8pcs

F



Allen key x 2pcs

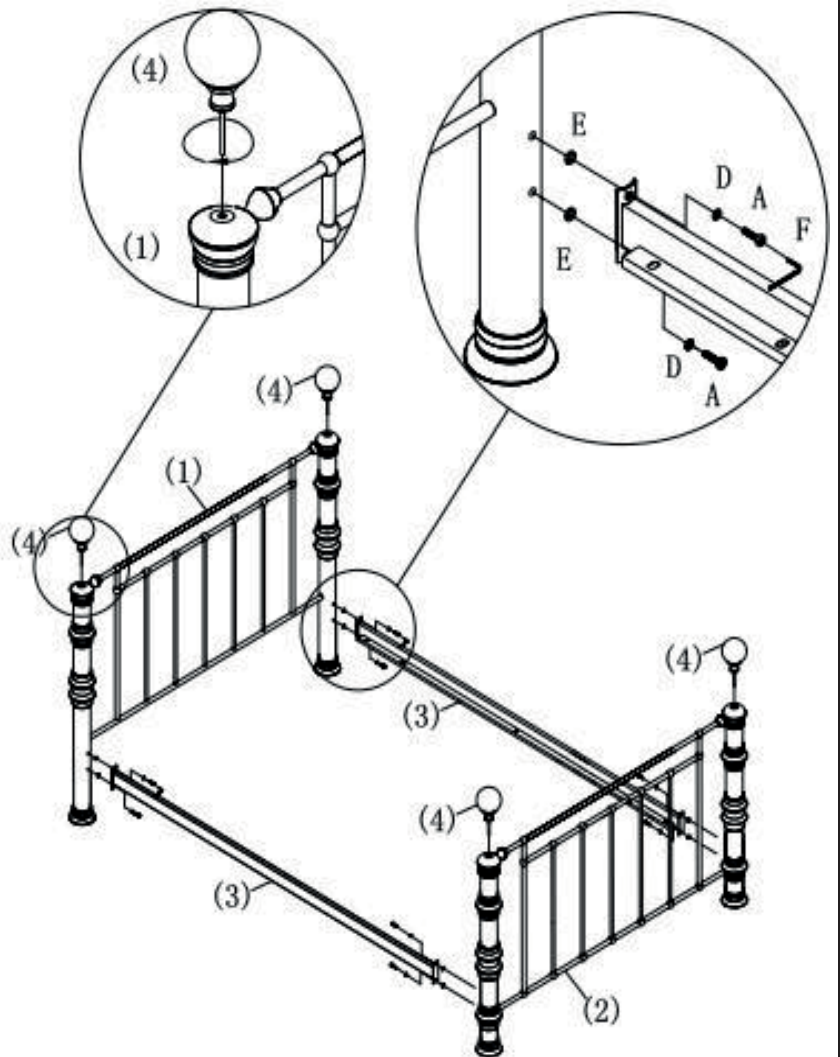
ASSEMBLY



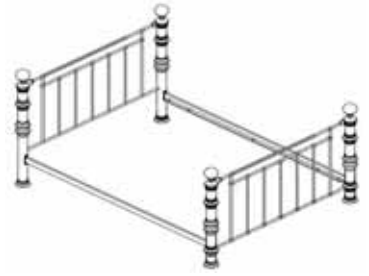
STEP 1

(1) Use bolt A, washer D and plastic washer E to fix the side rail (3) onto headboard (1) and footboard (2) by using Allen Key (F).

(2) Attach the finials (4) onto headboard (1) and footboard (2) by turning it clock-wise.



ASSEMBLY



STEP 2

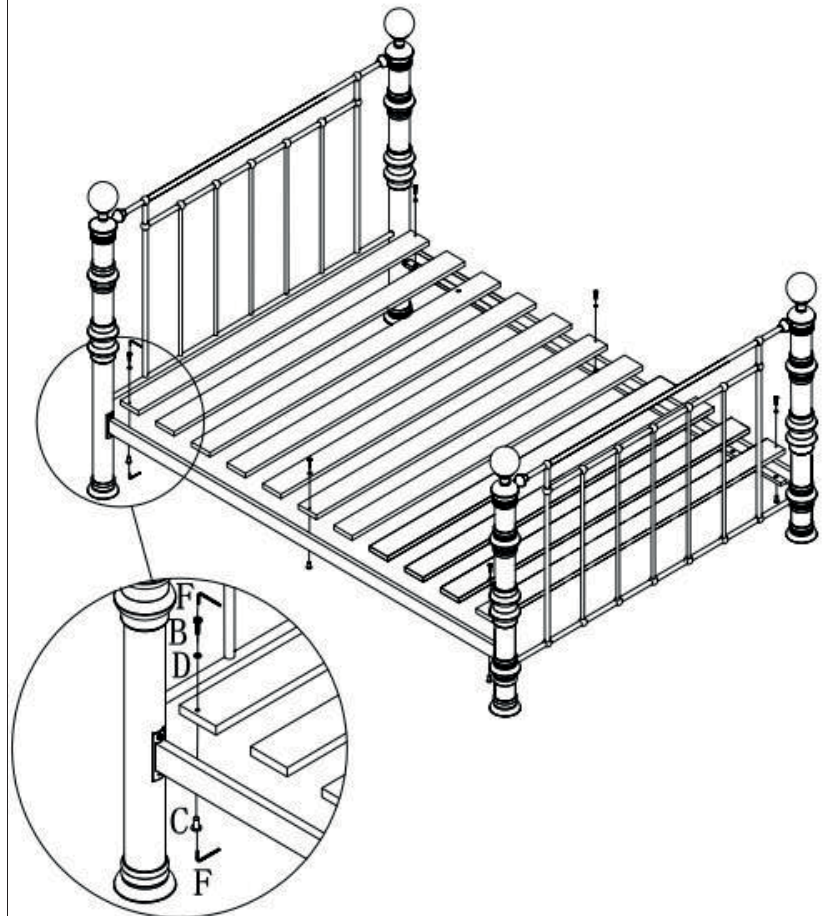
NOTE: Slats not supplied shown for reference only.

Both slats on "step 2" and "step 3" can be assembled to the bedstead. you can make a choice between the two slats.

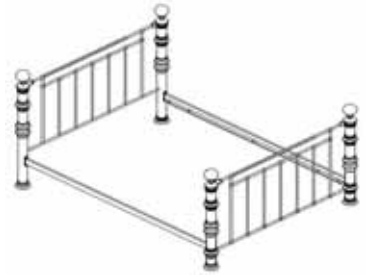
OPTION "A": DREAMS FIXED WOOD SLATS

(1) Carefully locate the slats onto the unit.

(2) Use bolt (B) and JCN nut (C) to fix the unit using Allen Key (F)



ASSEMBLY



STEP 3

OPTION "B": DREAMS SPRUNG SLATS

(1) Use the bolt to fix support leg onto the slat frame. Please note that these bolts are to be found inside the slat frame box.

(2) Carefully locate the slats onto the unit.

(3) Use bolt (B) and JCN nut (C) to fix the unit using Allen Key (F).

