



(METAL SIDE RAIL SUPPORTS)

Augusta Double Bed

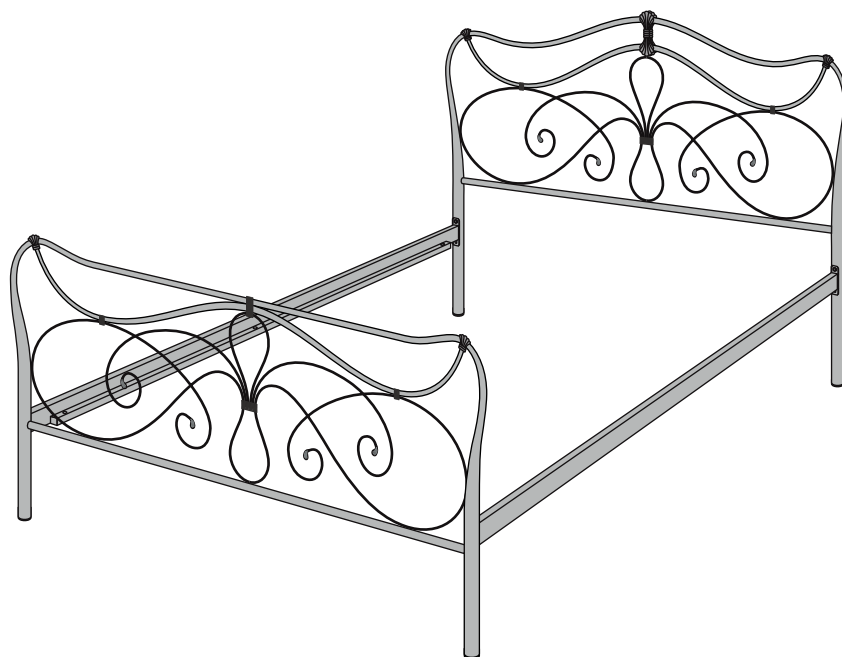
221-00986

(Solid slats)

221-00987

(Sprung slats)

## Assembly Instruction



Minimum No. of people  
recommended to assemble  
this product

2

Approx assembly time

45  
minutes

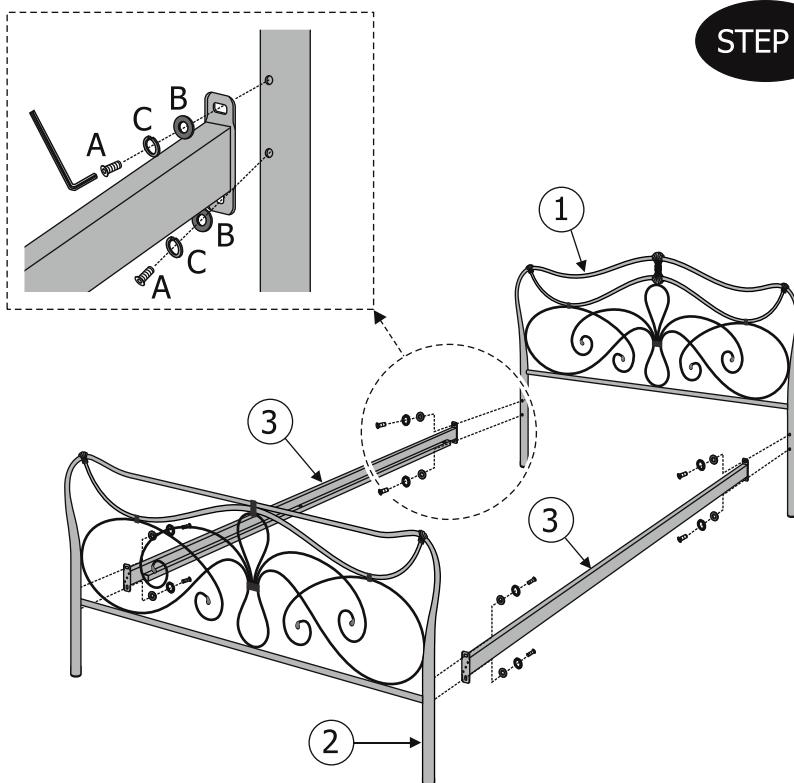
Before you  
start, here  
is some  
helpful advice

1. We suggest you spend a short time reading through this leaflet and then follow the simple step by step instructions.
2. If you follow the instructions carefully the end result should be worth the effort.
3. Do not discard any of the packaging until you have checked that you have all the parts and the pack of fittings.
4. To ensure an easier assembly, we strongly advise that all fittings are only finger tightened during initial assembly. Only upon completion of the. Assembly should all fixing points be fully tightened.
5. We recommend a periodic check on all fixing points to make sure they remain fully tightened.
6. Keep glue and fittings out of children's reach.
7. In the unlikely event that this product has missing or damaged parts, please call 08442 920000 to obtain spares.

PARTS		Fittings
<p>Part 1 (1pc.)</p> <p>Part 2 (1pc.)</p> <p>Part 3 (2pcs.)</p>		<p><b>A</b></p> <p>M8 x 20 JCBB Screw 8pcs.</p>
		<p><b>B</b></p> <p>15mm Rubber Washer with 9mm hole 8pcs.</p>
		<p><b>C</b></p> <p>M8 Spring Washer 8pcs.</p>
		<p><b>D</b></p> <p>M6 x 35mm JCBC Screw 6pcs.</p>
		<p><b>E</b></p> <p>M6 x 15mm JCN Nut 6pcs.</p>
		<p><b>G</b></p> <p>M6 x 45mm JCBC Screw 4pcs.</p>
	<p><b>I</b></p> <p>5mm Allen Key 1pc.</p>	
<p>Note: The following fittings will be found in the box which contains the Sprung Frame, NOT with the bed frames Assembly Kit.</p>		
<p><b>M</b></p> <p>Center Leg x 1pc.</p>	<p><b>N</b></p> <p>Center Leg x 2pcs.</p>	<p><b>P</b></p> <p>M6 x 12mm x 8pcs.</p>
<p><b>H</b></p> <p>Allen Key 4mm x 1pc.</p>		

# Assembly

- 1) Use M8 x 20 JCBB Screw "A", 15mm Rubber Washer "B" and M8 Spring Washer "C" to fix the Side Rail "3" onto the Headboard "1" and Footboard "2" using Allen Key "I"

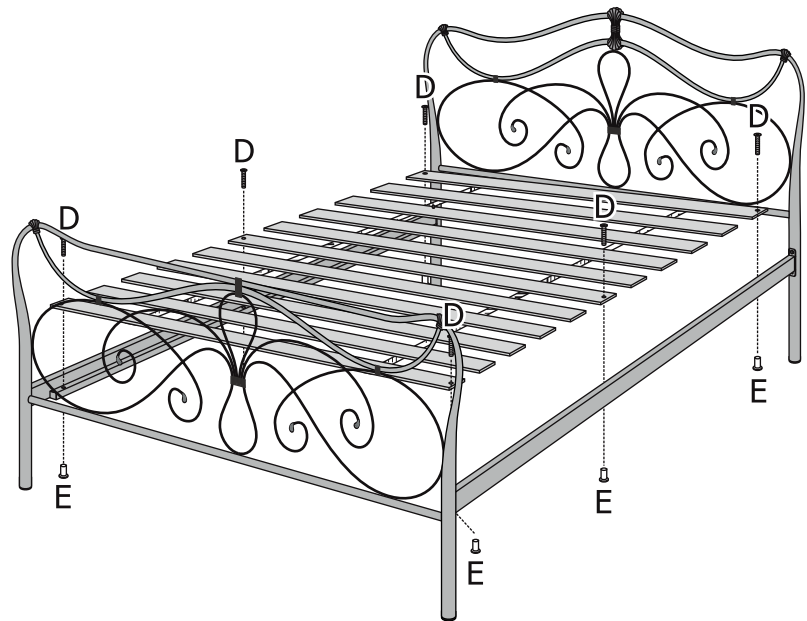


Note: You have bought your bed, choosing one of two slat options; either solid or sprung. Although the assembly of both options are explained here, only one option will apply to you.

Options 1:  
Dreams solid slats

Carefully lay the slats onto the side rails of the bed. Make sure that the 6 holes in the slats align with holes in the side rails. Secure by threading screws "D" through the slats and side rails, connecting with nuts "E" which are threaded underneath as shown

**STEP 2**

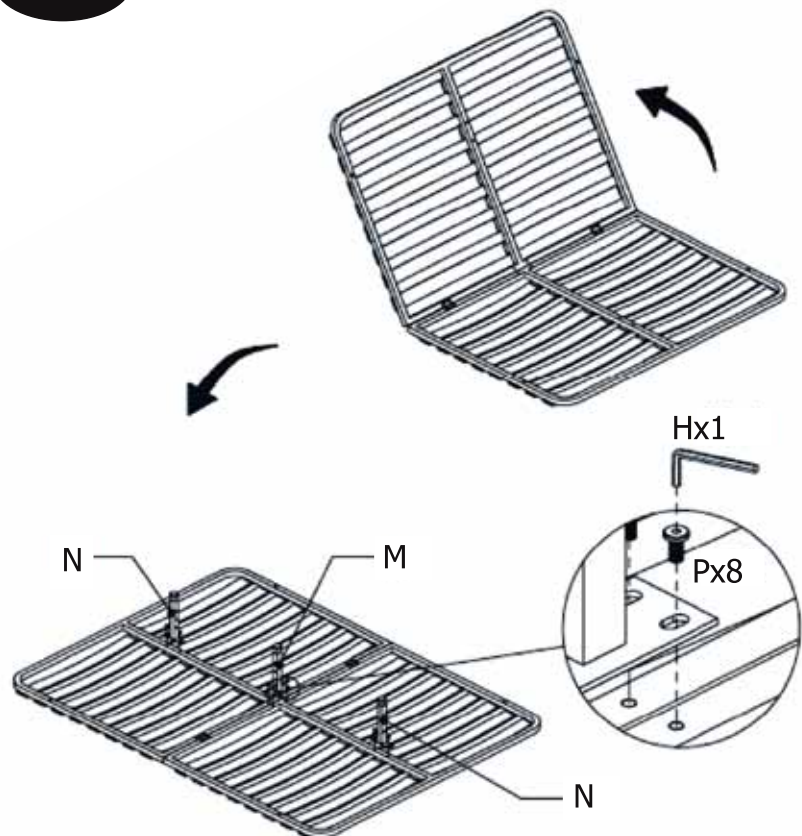


Options 2:  
Dreams sprung slat frame

Open the metal slat frame outwards.

Attach center leg "M" and support legs "N" to the frame and secure using bolts "P", tighten using allen key "H".

**STEP 2**



Turn the metal slat frame facing upward and carefully lower the slat frame into the bed.

Ensure that the frame sits on the guides located on the side rails "3".

Position the slat frame so that the holes in the frame align with those in the side rails "3". Secure the frame to the side rails "3" by threading screws "G" and through the holes in the frame and the side rails "3".

Finally, tighten the screw "G" into the sleeve nut "E" from the top of slat frame with allen key "H".

### STEP 3

