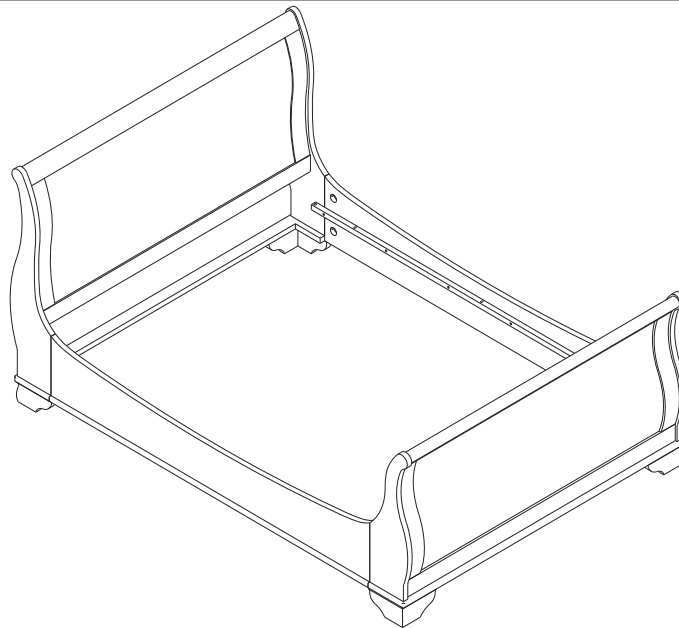


Dreams

ASPEN BED

Assembly Instructions



Minimum No. of people recommended to assemble this product.

2

Approx assembly time:

1/2 hour

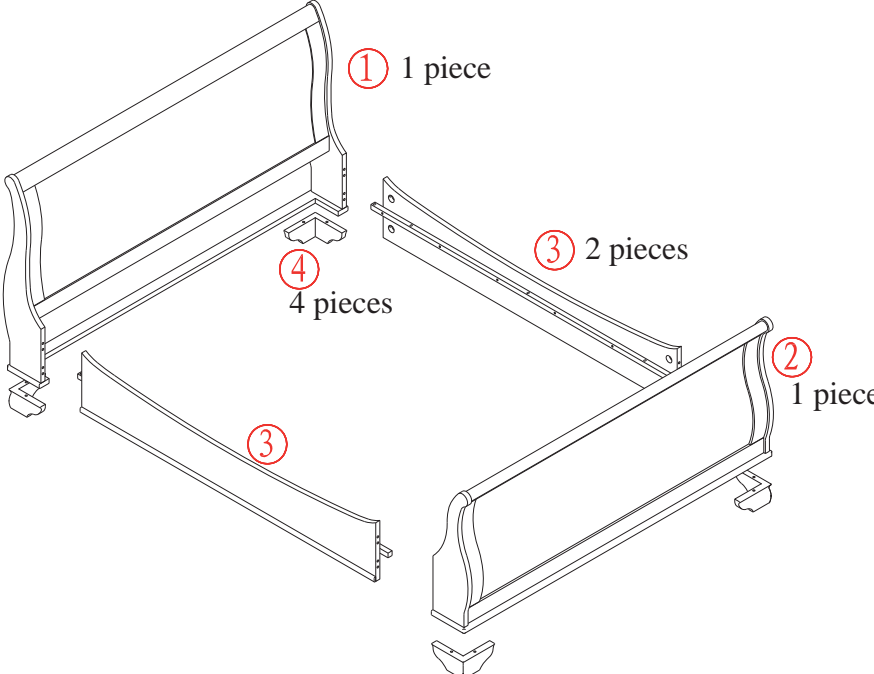


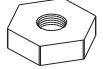



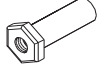
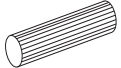
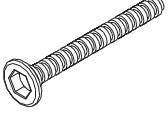
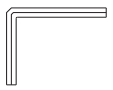

NOTE: It will require two people to assemble this bed. Assembly should be carried out in the room that the bed will be used in.

Before you start, here is some helpful advice

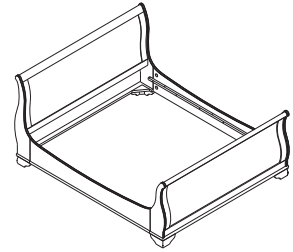
1. We suggest you spend a short time reading through this leaflet and then follow the simple step by step instructions.
2. If you follow the instructions carefully the end result should be worth the effort.
3. Do not discard any of the packaging until you have checked that you have all the parts and the pack of fittings.
4. Assemble this product on a carpet.
5. To ensure an easier assembly, we strongly advise that all fittings are only finger tightened during initial assembly. Only upon completion of the assembly should all fixing points be fully tightened.
6. We recommend a periodic check on all fixing points to make sure they remain fully tightened.
7. Keep glue and fittings out of children's reach.

In the unlikely event that this product has missing or damaged parts, please call 08442 920000 to obtain spares

Component parts and fittings contained in the box

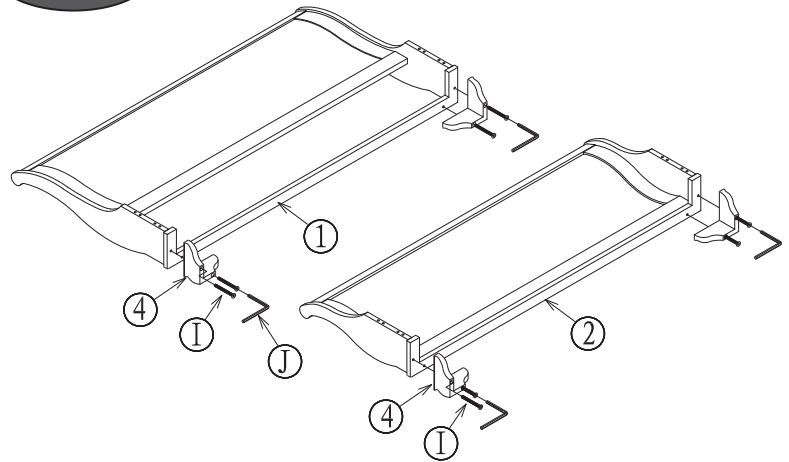
PARTS	Fittings (A) (Hardware to fit on bed frame)
 <p>① 1 piece</p> <p>② 1 piece</p> <p>③ 2 pieces</p> <p>④ 4 pieces</p>	<p>A</p>  <p>Connector 8pcs</p>
	<p>B</p>  <p>Connecting bolt 8pcs</p>
	<p>C</p>  <p>M8 Nut 8pcs</p>
	<p>D</p>  <p>Φ8 Spring Washer 8pcs</p>
	<p>E</p>  <p>Spanner 1pc</p>
	<p>F</p>  <p>M6x35mm Bolt 6pcs</p>
	<p>G</p>  <p>M6 JCN Nut 6pcs</p>
	<p>H</p>  <p>Dowel 8pcs</p>
	<p>I</p>  <p>M8x60 Bolt 8pcs</p>
	<p>J</p>  <p>5MM Allen key 1pc</p>
	<p>K</p>  <p>4MM Allen key 1pc</p>

ASSEMBLY



- 1) Fix the Wooden leg (4) onto the headboard (1) and footboard (2) using bolt (I).
Tighten with Allen key (J).

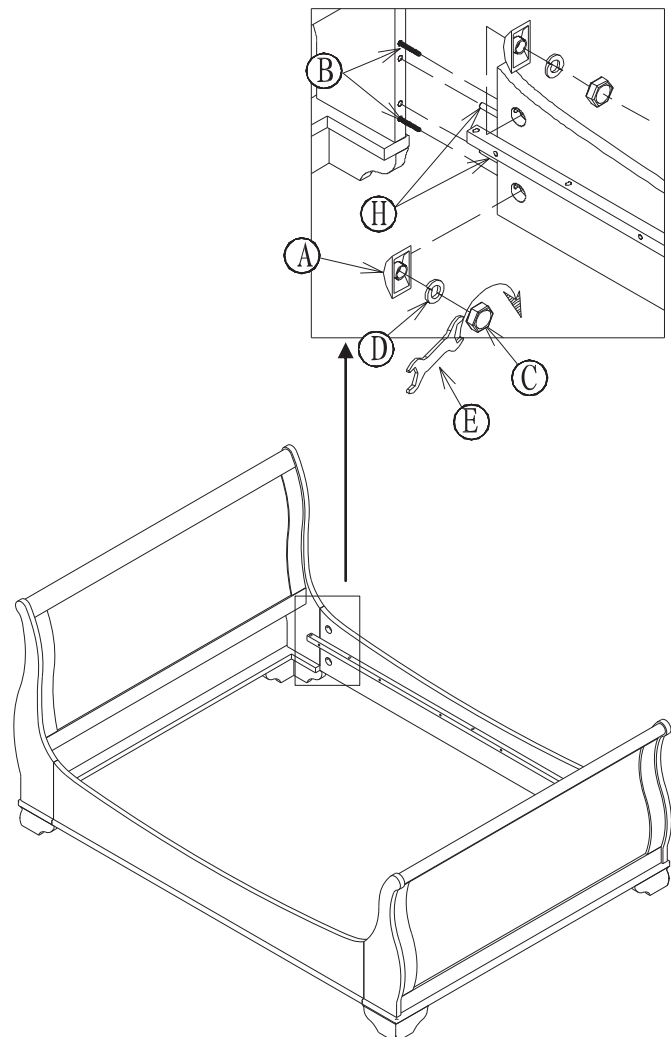
STEP 1



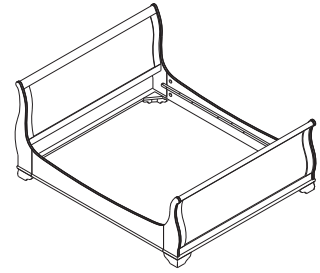
- 1) Screw the connecting bolt (B) into the holes on the headboard/footboard (1&2).
Then Knock the dowels (H) into the holes indicated on the side rail.

- 2) Carefully fit the side Frames to the headboard and footboard.
Use connectors (A), Spring Washer (D) and Nuts (C) to fix the unit. (See inset).

STEP 2



ASSEMBLY

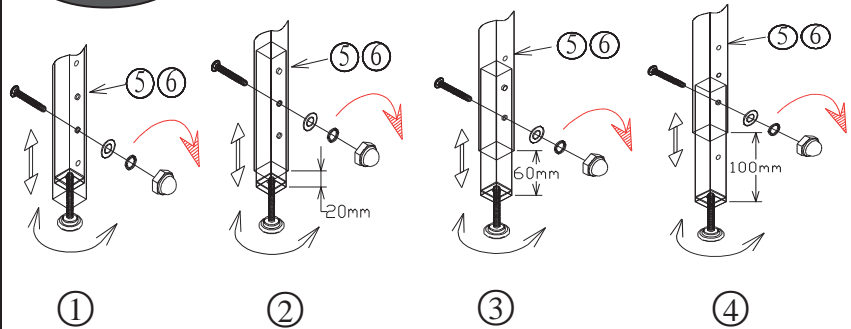


NOTE: Slats not supplied shown for reference only.

Both slats on “step 3---step 6” can be assembled to the bedstead. You can make a choice between the two slats.

- 1) Support leg height have the four position, you can adjust according to the bed height to choose the right position to fix in the “STEP 3”.
- 2) If need, you can adjust by screwing in or out the support leg leveler at the bottom.

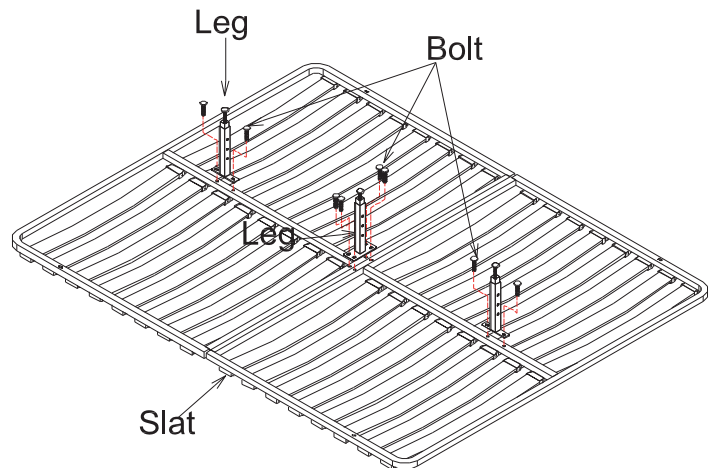
STEP 3



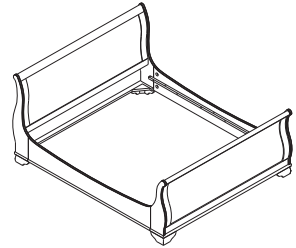
Select correct height for your bedstead

- 1) Use the 8 pcs bolts, supplied with the slat frame to fix the leg onto the slats frame.

STEP 4



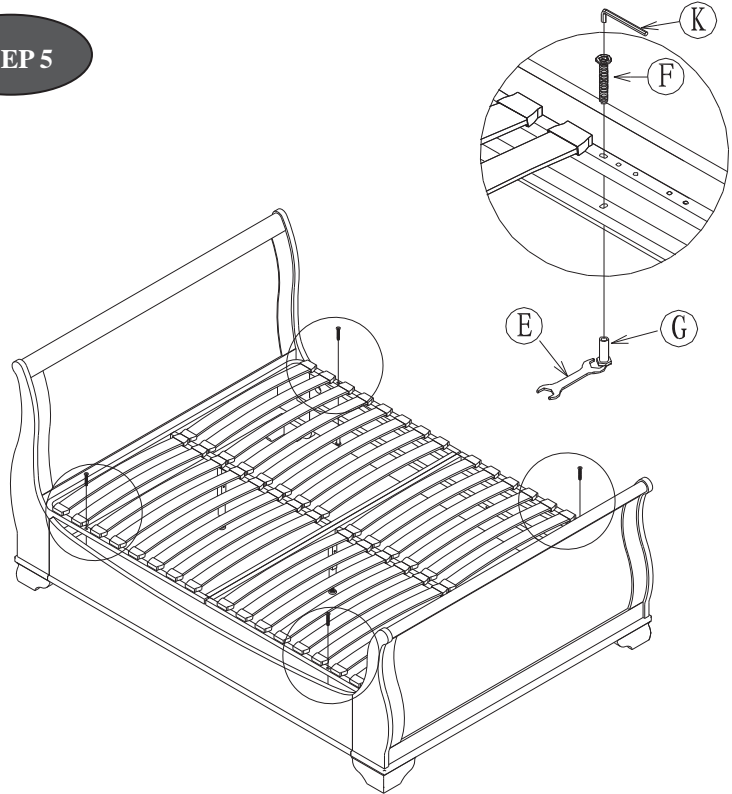
ASSEMBLY



STEP 5

1) Carefully locate the slats onto the unit.

Use bolt (F) and JCN Nut (G) to fix the slats frame onto the bed. Tighten with spanner (E) and Allen key (K)



DREAMS SOLID SLATS

1) Carefully locate the slats onto the unit.

2) Use bolt (F) and JCN Nut (G) to fix the slats frame onto the bed. Tighten with spanner (E) and Allen key (K)

STEP 6

