

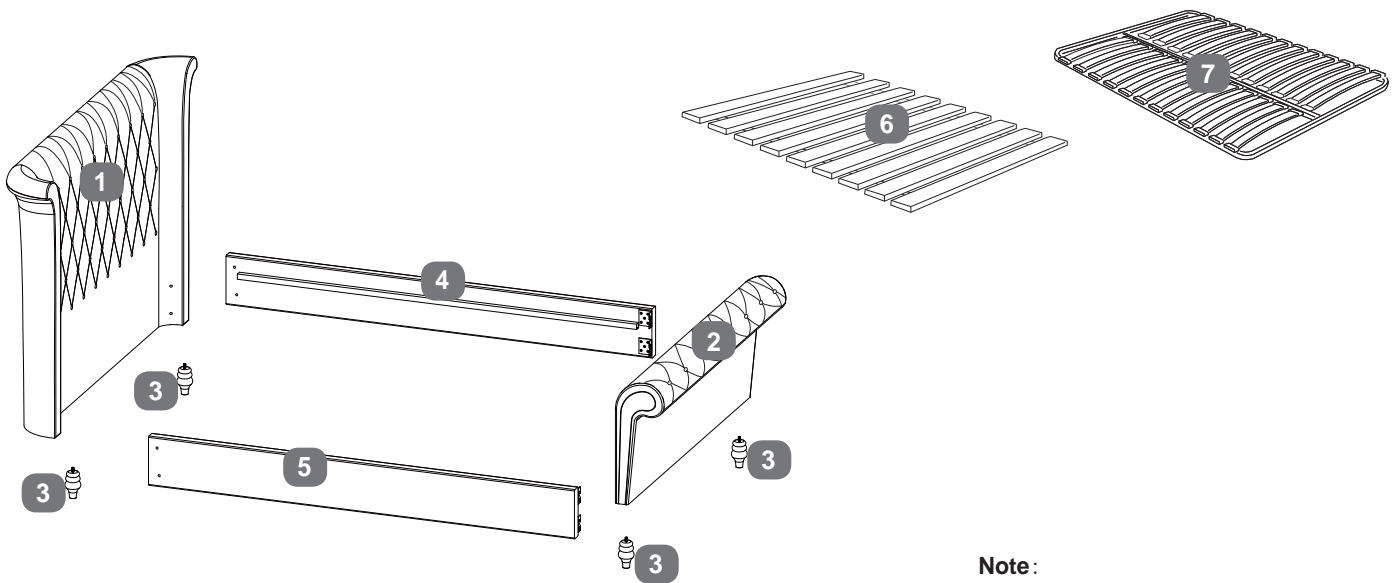
**PLEASE READ** this sheet prior to assembly to familiarise yourself with the various stages of construction. Carefully open the pack supplied and check the contents against the parts and fittings check list.

Do not destroy any of the packaging until you are certain that you have all the necessary parts for the assembly.

**Please ensure that the packaging is disposed of in a safe environmentally friendly way.**

**CAUTION:** There are small components used in the construction of this unit. These loose items should be kept away from young children whilst assembling your unit to avoid the danger of choking hazards.

### Parts Identification



**Note:**  
 Standard wooden slat frame (part 6)  
 Upgraded sprung slat frame (part 7)

### Parts Checklist

Ref.	Description	Qty
1	Headboard	1
2	Footboard	1
3	Leg	4
4	Right Side Rail	1
5	Left Side Rail	1
6	Wooden Slats	1 Set
7	Metal Sprung Slat System*	1 Frame

\*Only supplied if upgraded sprung system chosen

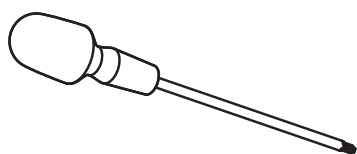
## Fittings Checklist

Code	Description	Qty	Code	Description	Qty
A	Bolt (M8x30mm)	x8	F	Sleeve Nut (M6x1mm)	x6
B	Spring Washer	x12	G	Flat Washer (6mm)	x6
C	Washer (22x8mm)	x12	H	Allen Key (4mm)	x1
D	Allen Key (5mm)	x1	I	Bolt (M8x75mm)	x4
E	Bolt (M6x40mm)	x6			

**Note:** The following fittings will be found in the box which contains the Sprung Slat Frame. They are not in the main hardware pack, of the bed itself.

K	Bolt (M6x15mm)	x8	L	Centre Support Leg	x1
M	Support Leg	x2			

## Additional Tools Required



Long crosshead (Pozi) screwdriver

## Care & Maintenance

In the unlikely event of missing or damaged parts, please contact the customer service team on 08442 920000. When calling this number, please quote the part code reference numbers shown in this leaflet when requesting spare or replacement parts. To keep your bed in pristine condition, occasionally, wipe over with a slightly dampened, clean cloth.

## General Hints & Tips



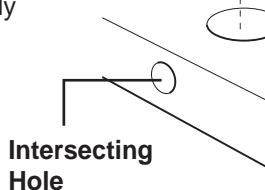
Please retain your Assembly Instruction and tools provided, for future use. Periodically check that all bolts are still tight.



This assembly requires two people.



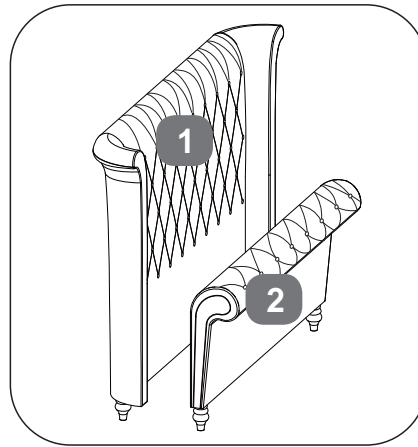
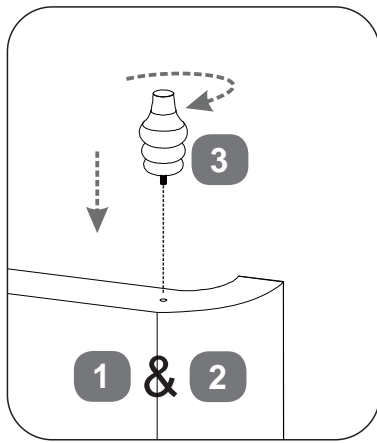
When they are supplied and are part of the assembly of this bed, ensure that barrel nuts are fitted the correct way so the hole is facing towards the intersecting hole.



We recommend the bed is assembled in the room it will be located in.

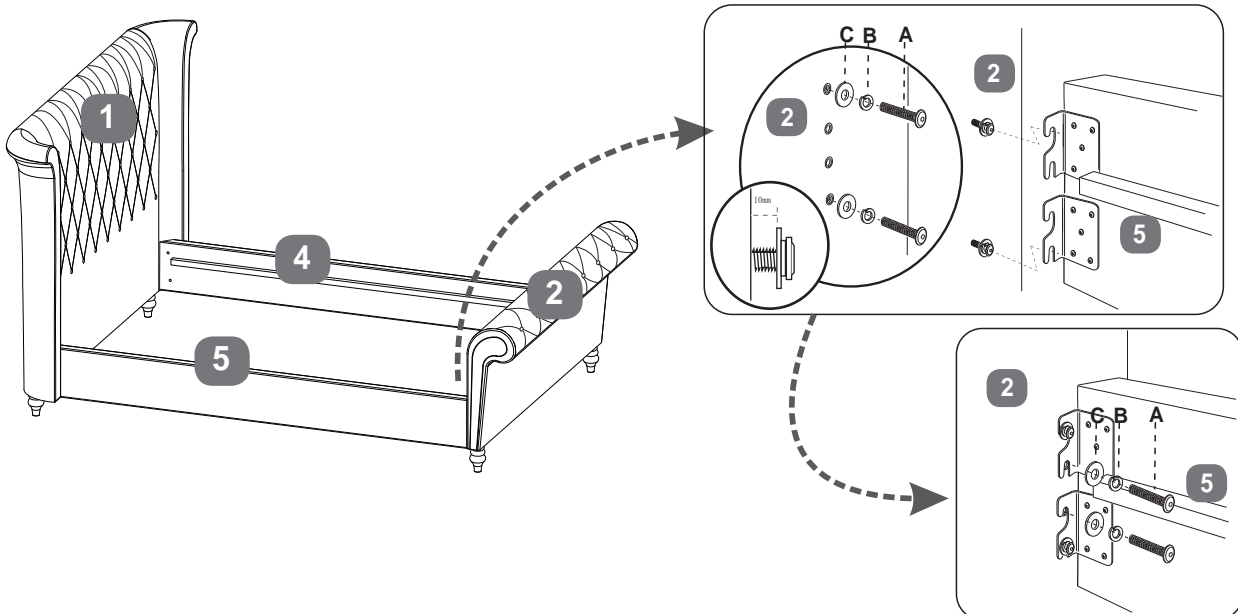
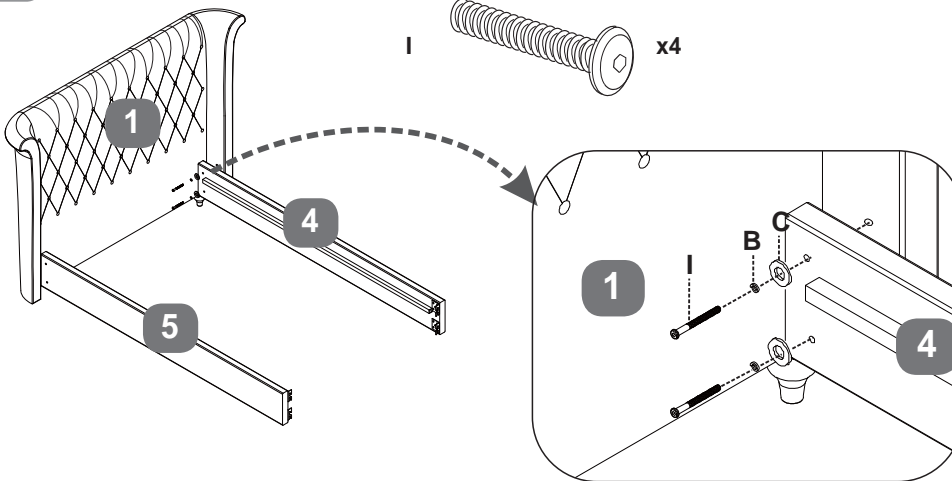
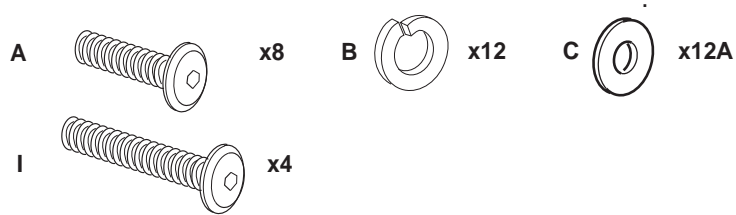
# Bed Assembly

Stage  
1



Fix legs (3) in the marked positions, on underside of headboard (1) and footboard (2)

Stage  
2



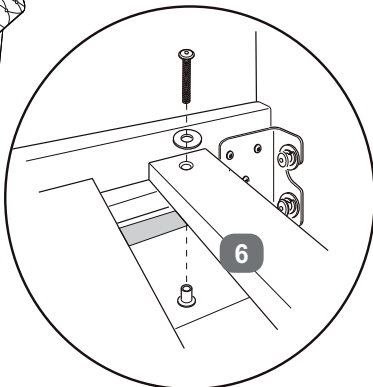
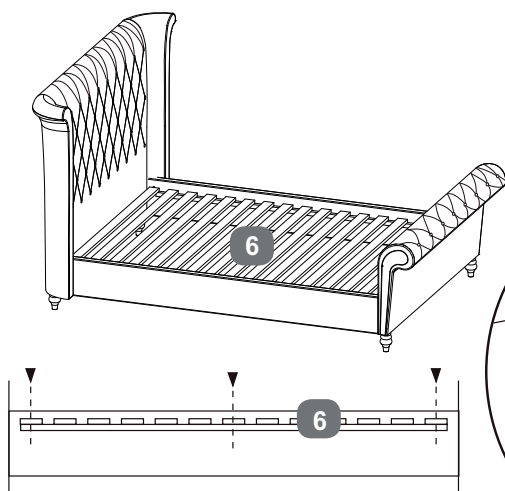
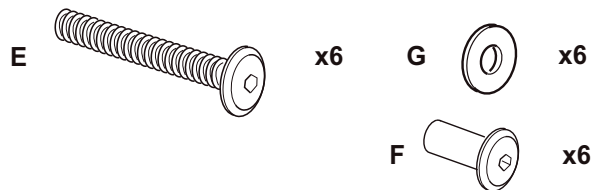
Fit the bolts (I), spring washers (B), and flat washers (C) through side rails (4 & 5) to the holes in the headboard (1) (N.B. at the last step, you must tighten these bolts very tightly). Fit the bolts (A), spring washers (B), and flat washers (C) to the holes in the footboard (2) as shown. **N.B.** Do not fully locate the bolts, but leave 10mm protruding then, fit the side rails (4 & 5) to the footboard locating the brackets behind the flat washers.

Once all four corners are located, make sure the bed is square, then tighten the bolts using allen key (D).

# Bed Assembly

Stage  
2

## BED SLAT FIXING



Lay the set of slats (6) onto the slat support rails on the side rails.

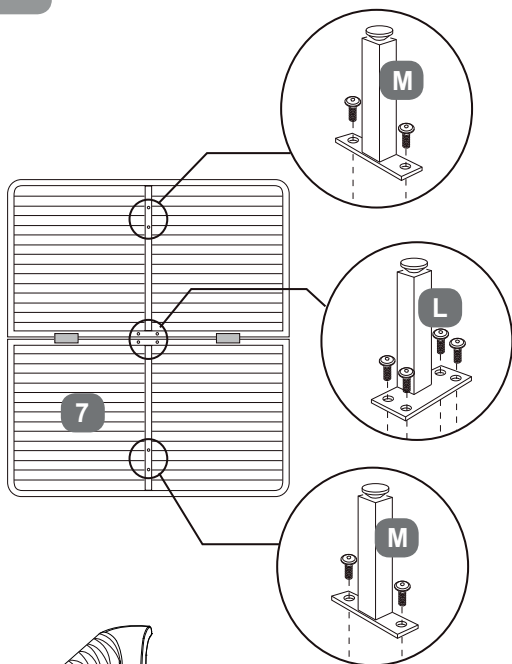
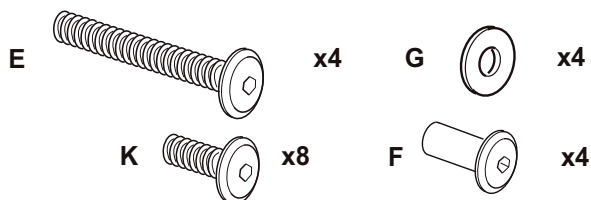
Align the first and last slat with the end of the rails, and secure in place using the bolts (E), washers (G) and sleeve nuts (F). Fully tighten using the allen key (H).

Use all of the x6 sets provided (E, F & G).

Once secure fix the centre slat using the bolts as before.

Stage  
2a

## UPGRADE SPRUNG SLAT SYSTEM



Open the metal frame and lay face down on the working surface.

Fit the support legs (L & M) to the positions shown, securing with the bolts (K). Fully tighten using the allen key (H).

Carefully turn the slat frame over, and position onto the slat support rails. Align the frame with the fixing holes at each end and secure using the bolts (E), washers (G) and sleeve nuts (F). Fully tighten using the allen key (H).

Use x4 of the x6 sets provided (E, F & G).

Finally, please ensure that ALL bolts are fully tightened before the bed is used.

**EITHER 6 OR 7 WILL BE SUPPLIED - BOXED SEPARATELY**

