



AMY DAY BED

213-00336

Assembly Instructions



Minimum No.of people recommended to assemble this product:

2

Approx assembly time:

30 minutes

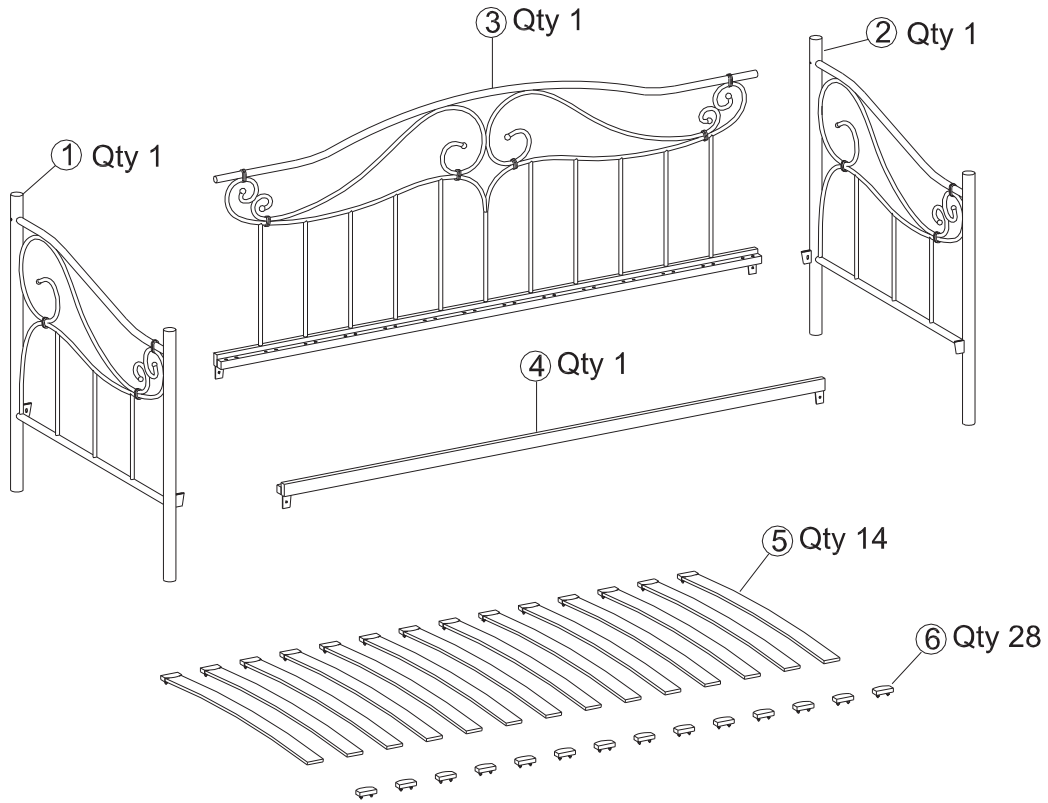
Before you start, here is some helpful advice

- 1.We suggest you spend a short time reading through this leaflet and then follow the simple step by step instructions.
- 2.If you follow the instructions carefully the end result should be worth the effort.
- 3.Do not discard any of the packaging until you have checked that you have all the parts and the pack of fittings.
- 4.Assemble this product on a carpet.
- 5.To ensure an easier assembly, We strongly advise that all fittings are only finger tightened during initial assembly. Only upon completion of the assembly should all fixing points be fully tightened.
- 6.We recommend a periodic check on all fixing points to make sure they remain fully tightened.

In the unlikely event that this product has missing or damaged parts, please call 01799 513466 to obtain spares.

Component parts and fittings contained in the box

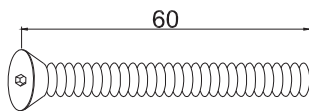
PARTS



Fittings

Ⓐ

QTY 2



Ⓓ

QTY 1



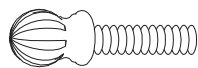
Ⓑ

QTY 4



Ⓒ

QTY 4



ASSEMBLY

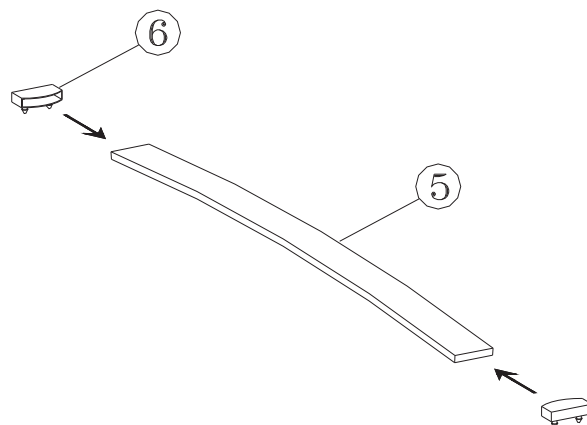


- 1) Locate back panel 3 in between side frames 1 and 2 .
- 2) Secure using fixing B .
- 3) Locate front rail 4 in between the side rails and secure using fixings B .
- 4) Further secure back panel 3 at the top using fixings A .



- 1) Fit plastic end caps 6 on to the ends of bentwood slats 5

STEP 2

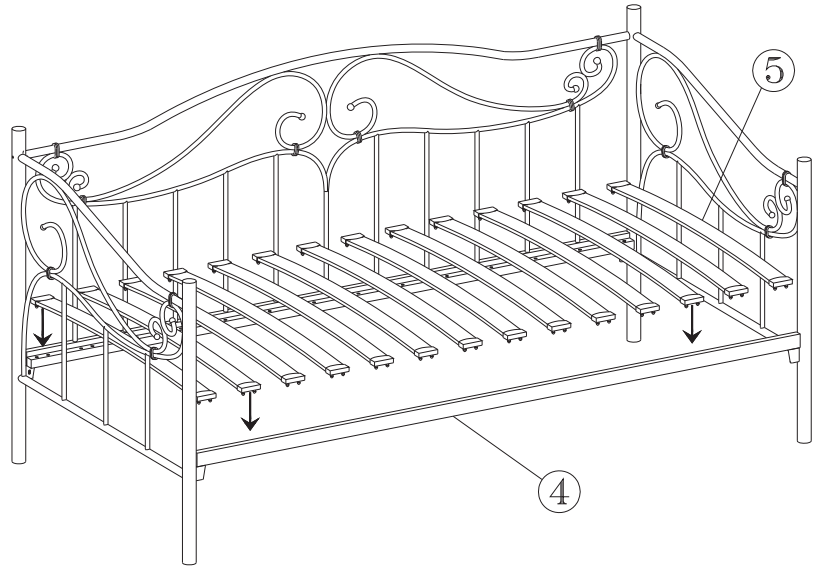


ASSEMBLY



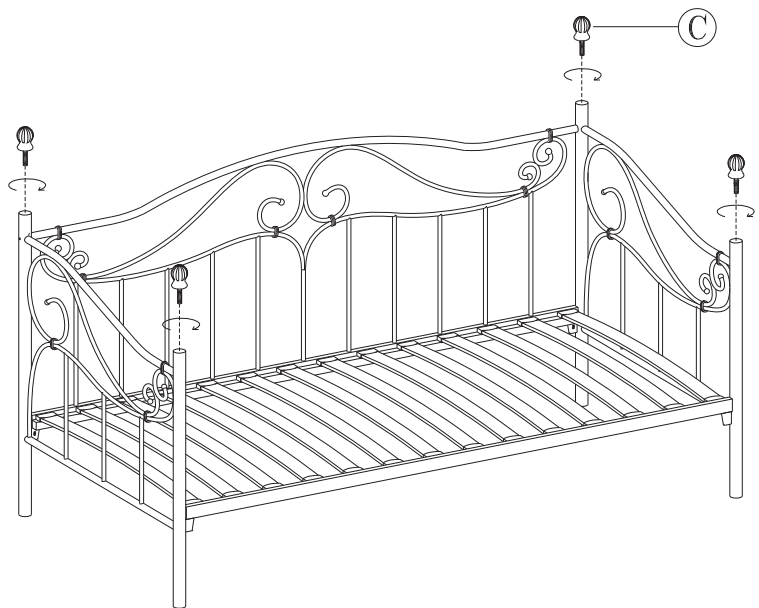
- 1) Fit bentwood slats into the frame as shown.

STEP 3



- 1) Screw finials **c** into the corner posts.

STEP 4



Customer Support

We have taken great care to ensure this item arrives complete and in good condition. Please unpack each piece carefully and confirm that all parts listed are available.

In the unlikely event that any of the smaller parts are missing or damaged, then we undertake to replace them as soon as possible.

To secure missing or damaged parts, or to seek further assembly or product related advice, you can contact our customer services department by email at:

cs@justwise.com

Alternatively if you prefer to speak to our customer services staff, please telephone 01799 513466.

(Note: the company reserves the right to modify the design, construction, colour and price without prior notice.)

Justwise Group Ltd
6 The Shires
Shirehill Industrial Estate
Saffron Walden
Essex
CB11 3AP

Email: cs@justwise.com

Tel: 01799 513466

Fax: 01799 525657