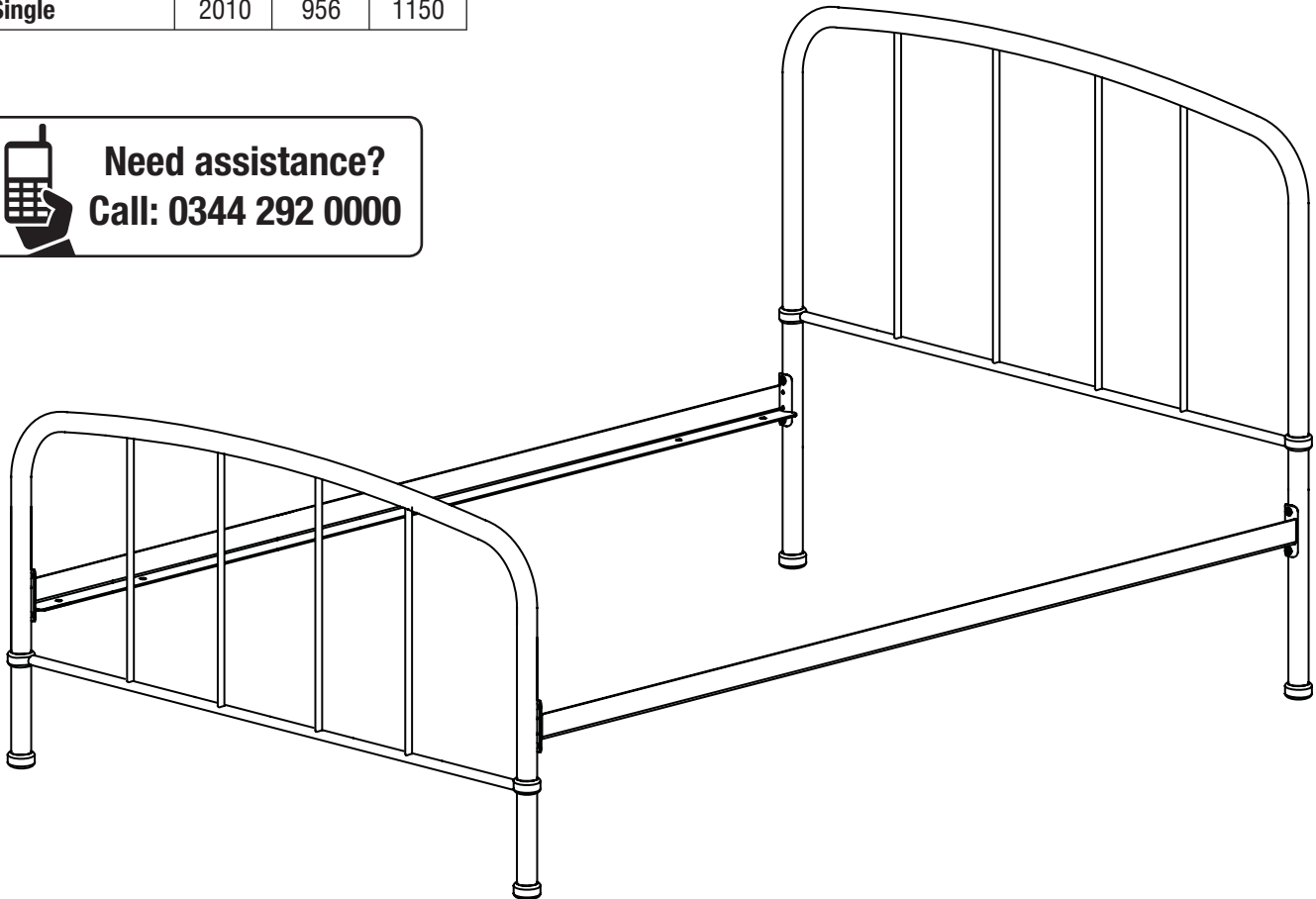


# WESTBROOK BED (APPLY TO SINGLE)

## Assembly Instructions

Dreams

Dimensions mm	Length	Width	Height
Single	2010	956	1150



### Helpful advise before you begin:

1. We suggest you spend a short time reading through this leaflet and then follow the simple step by step instructions.
2. If you follow the instructions carefully the end result should be worth the effort.
3. Do not discard any of the packaging until you have checked that you have all the parts and the pack of fittings.
4. Assemble this product on a carpet.
5. To ensure an easier assembly, we strongly advise that all fittings are only finger tightened during initial assembly. Only upon completion of the assembly should all fixing points be fully tightened.
6. We recommend a periodic check on all fixing points to make sure they remain fully tightened.
7. Keep glue and fittings out of children's reach.
8. Do not use any other tools other than those recommended to build this product.
9. Please do not use substitute parts. Use only additional or replacement parts supplied by Dreams Ltd.
10. In the unlikely event that this product has missing or damaged parts, please call 0344 292 0000 to obtain spares.



You will require a cross head screwdriver



2 x people recommended to assemble this product



Approximate time to assemble this product



Retain these instructions for future reference

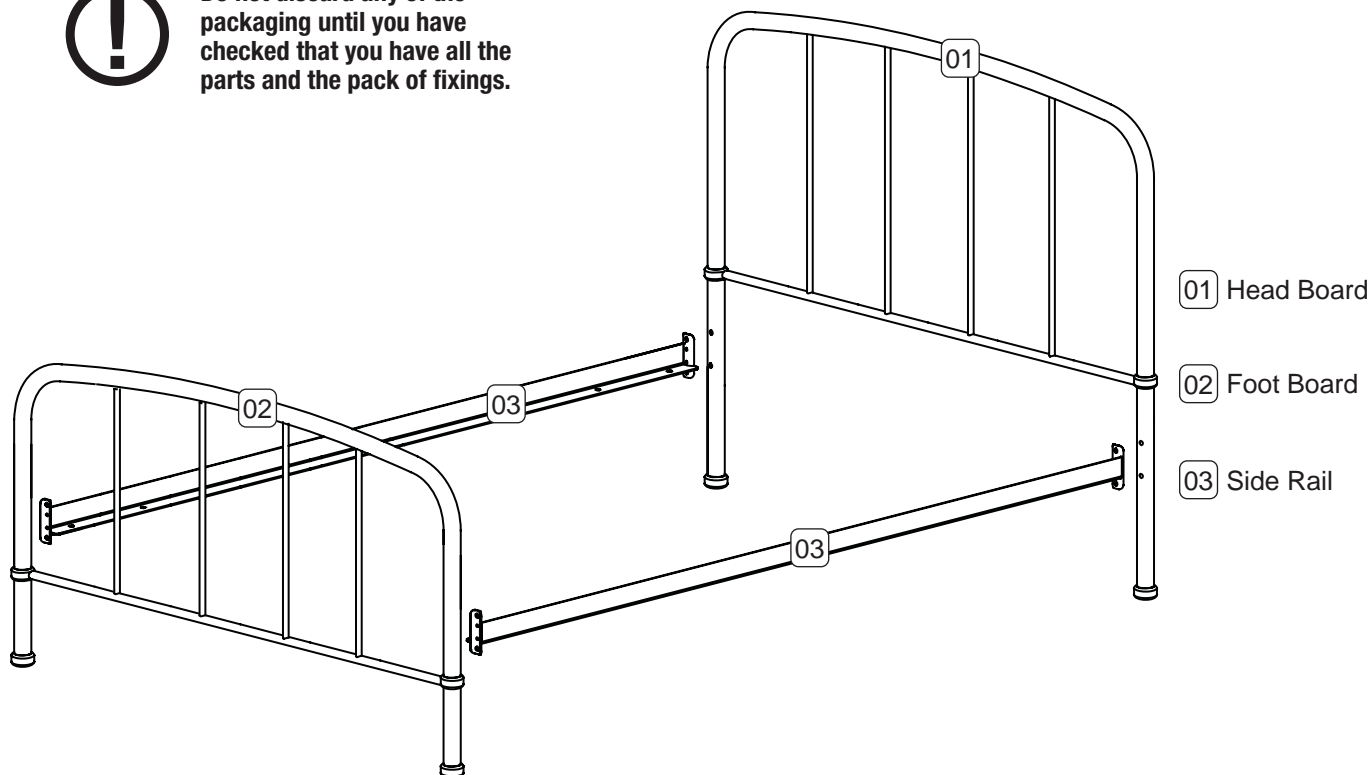


Do not discard any of the packaging until you have checked that you have all the parts and the pack of fixings.

# Parts Checklist

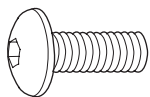


Do not discard any of the packaging until you have checked that you have all the parts and the pack of fixings.



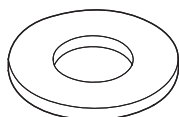
# Fittings Checklist

M6 x 20mm Bolt



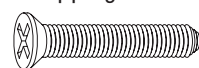
**(A) x 8**

Ø21 Metal Washer



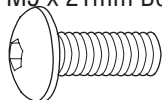
**(E) x 6**

Ø5 x 43mm Tapping Screw



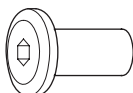
**(H) x 1**

M5 x 21mm Bolt



**(B) x 4**

Inner Bolt



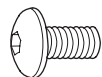
**(F) x 6**

Center Leg



**(I) x 1**

M5 x 13mm Bolt



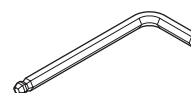
**(C) x 6**

Ø24 Rubber Washer



**(G) x 8**

Allen Key



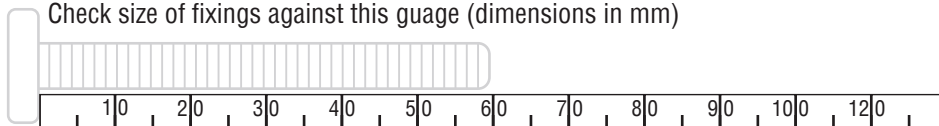
**(N) x 2**

Ø16 Metal Washer



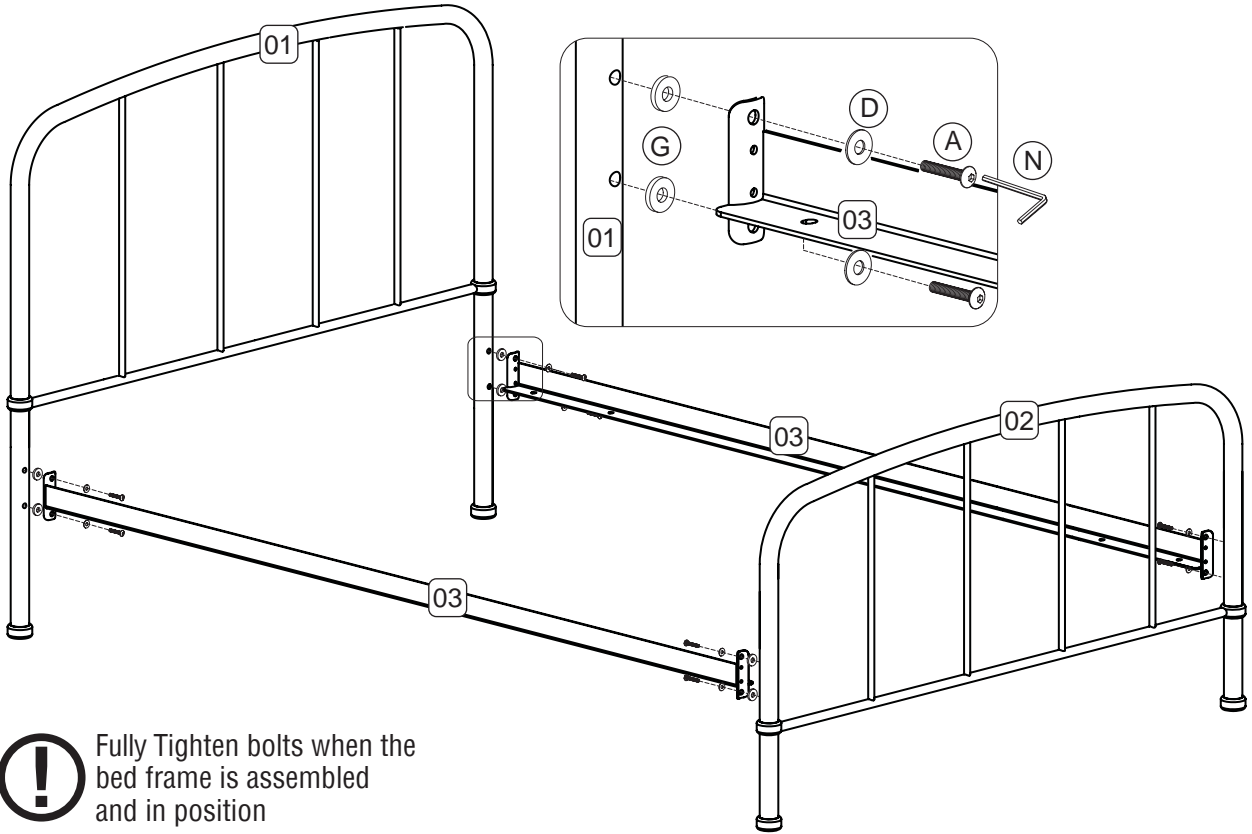
**(D) x 14**

Check size of fixings against this gauge (dimensions in mm)

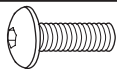





# Bed Frame Assembly

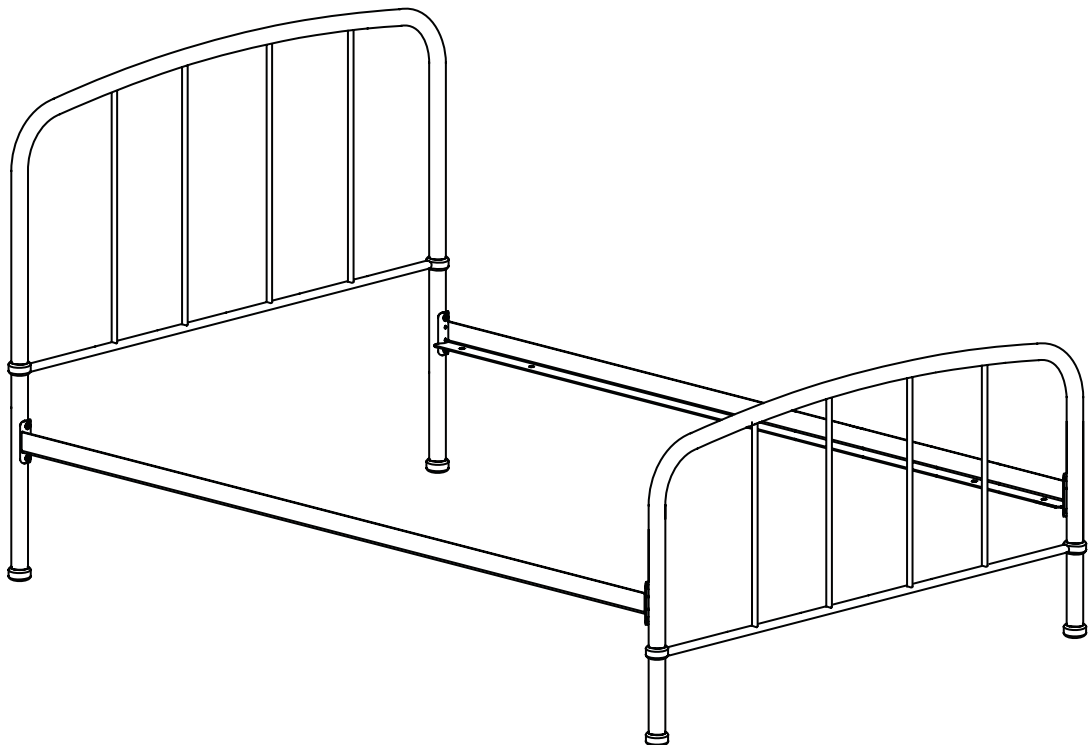
1



Fully Tighten bolts when the bed frame is assembled and in position

(A) M6 x 20mm Bolt x 8	(D) Ø16 Metal Washer x 8	(G) Ø24 Rubber Washer x 8	(N) Allen Key x 1
			

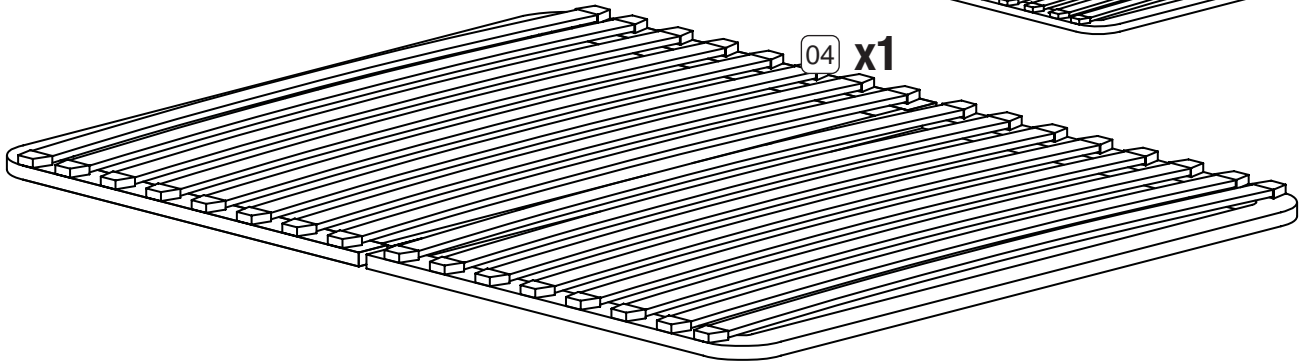
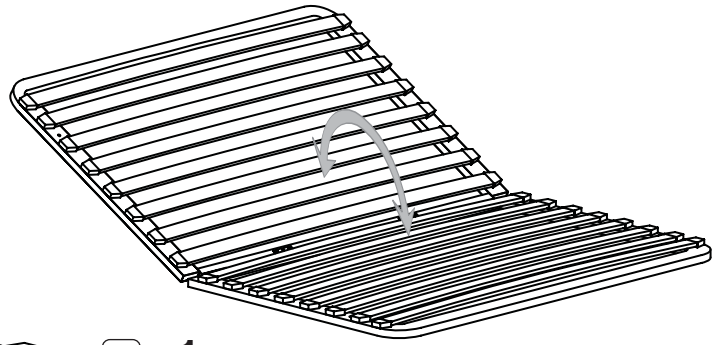
2



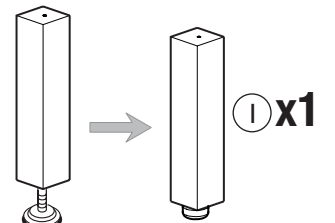
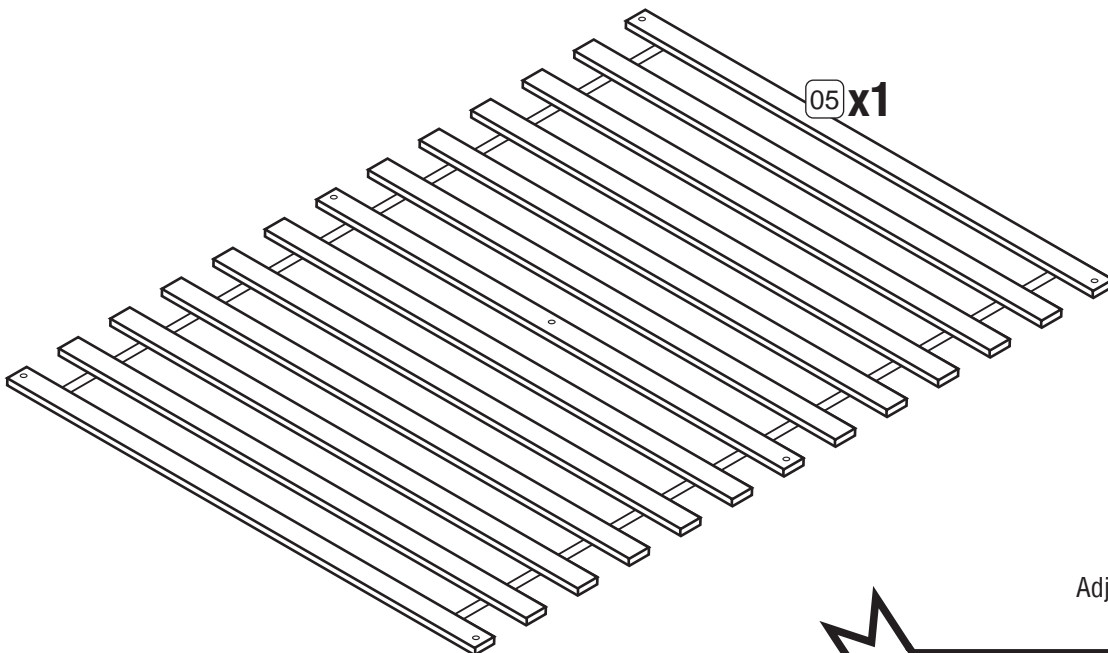


Identify the slat system you have purchased...

### Sprung slat system

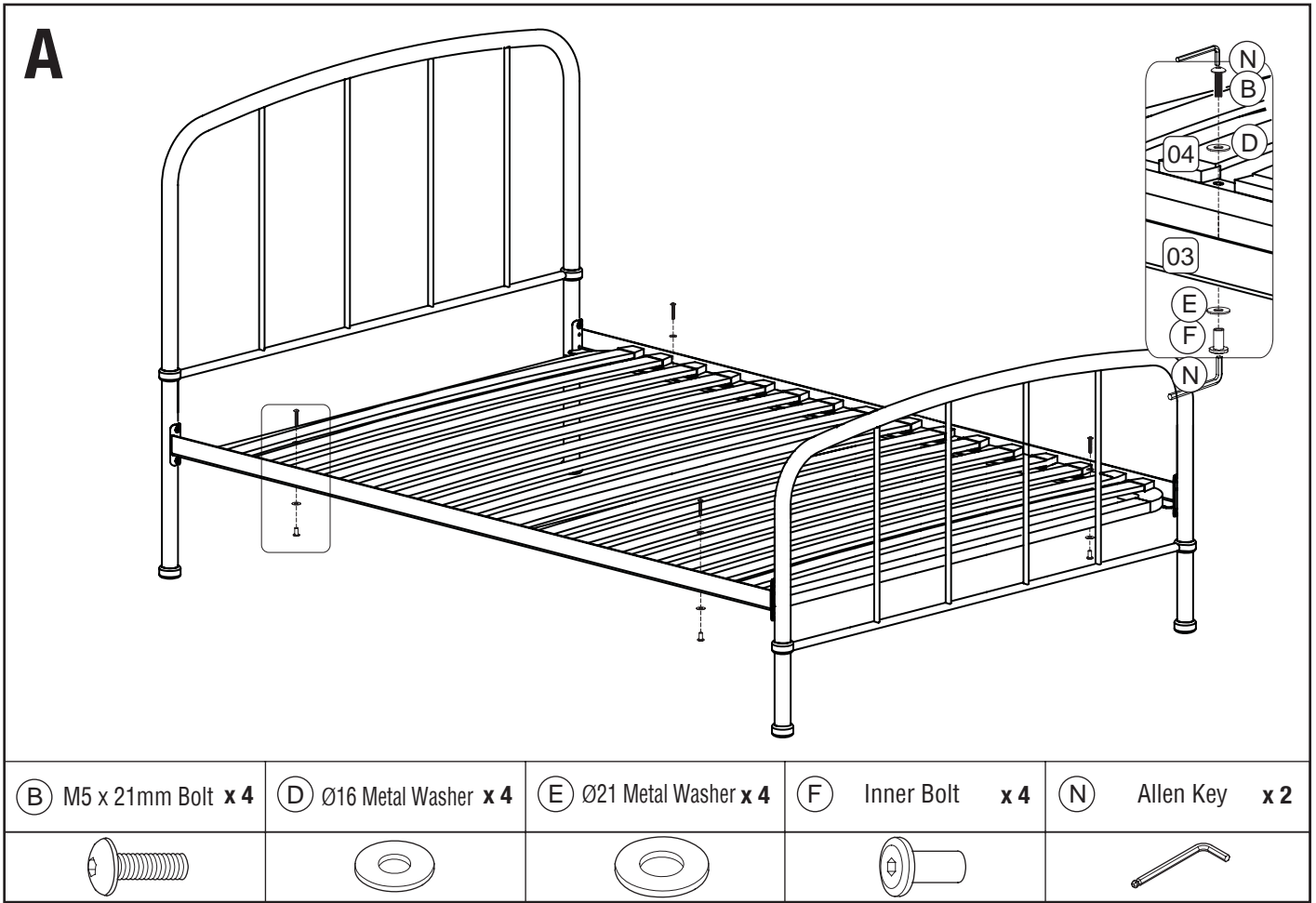


### Standard wooden slat system

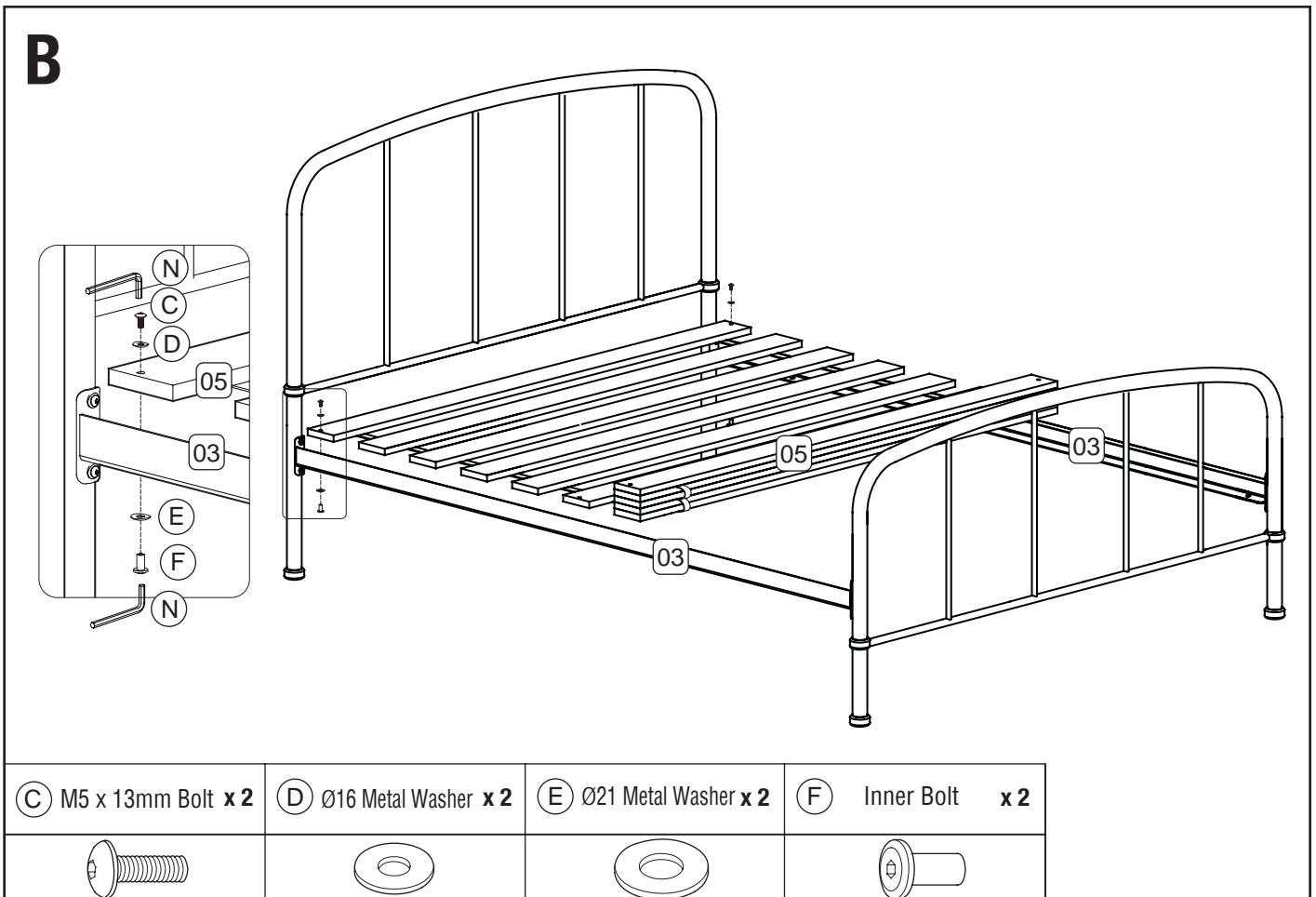


Adjustable Foot



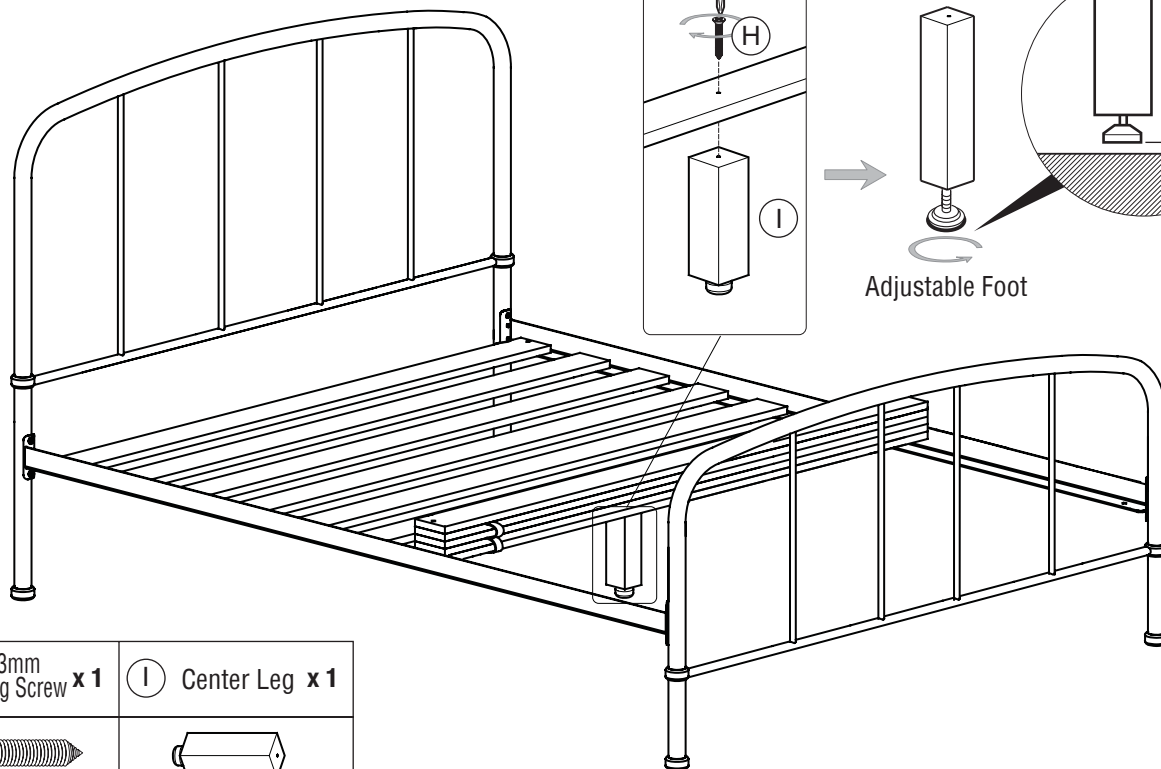


## Standard Wooden Slats Assembly

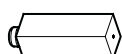


# C

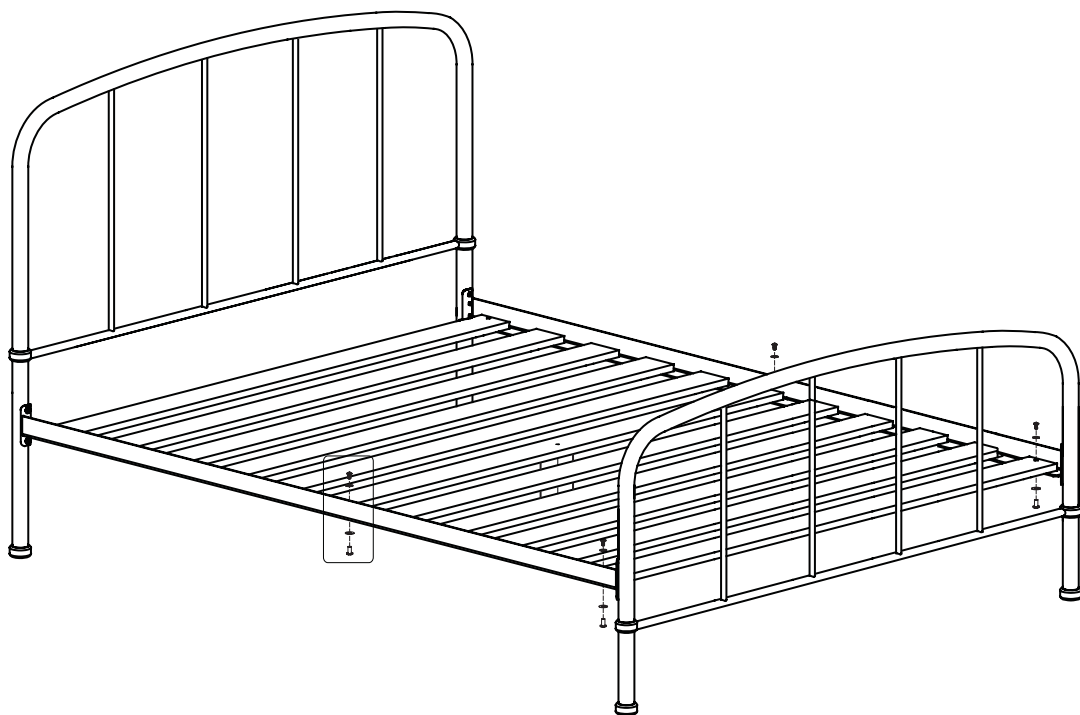
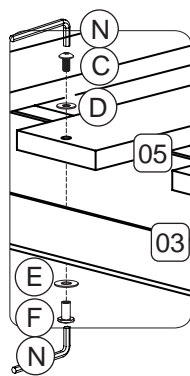
Fit the adjustable support wooden leg to the centre slat (there is a pre-drilled hole on the centre slat) as shown.



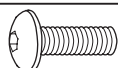
- (H)** Ø5 x 43mm Tapping Screw x 1
- (I)** Center Leg x 1



# D



- (C)** M5 x 13mm Bolt x 4
- (D)** Ø16 Metal Washer x 4
- (E)** Ø21 Metal Washer x 4
- (F)** Inner Bolt x 4



## Care of your Dreams Furniture

Your new bed from Dreams is more than a beautiful piece of furniture. It's an investment in your health and wellbeing. Care for it well and you'll enjoy a great night's sleep for many years to come.

Should you have any issues with your product please contact our customer service team on 0344 292 0000

---

### On Delivery

Once your new bed is in place and all the packaging is removed, let it air for approximately 1 hour before putting on your mattress, mattress protector and bed linen.

Don't worry if your bed feels a little strange at first. It takes time for your body to adjust to a new level of support and comfort. You'll soon be enjoying a more relaxed sleep.

Please consider the surface your bed will be stood on. If your bed frame is to be stood on an uncarpeted surface please ensure that you use rubber backed mat under the legs to avoid slipping.

---

### Day to day Care

Please use only 5% soap, 95% water solution, wiping with a damp cloth. Finally dry with a soft clean cloth. Dust with a soft clean cloth only.

Check all bolts, screws and legs regularly to make sure they haven't loosened and tighten all joins of your furniture or bedstead after 6 months. Please keep these instructions in a safe place for further use.

Storage Drawers in Bedsteads are designed to carry lightweight items such as Pillows, duvets and linen. Please try to avoid storing heavier items such as books or toys.

---

### Returns

If you have bought a large item such as a bed or mattress which is damaged or faulty and would like to return it, we will be able to arrive at your home and take your item away. All we ask is that your item is in perfect condition and in its original packaging (you can open the packaging to inspect your item). Items will not be able to be returned if they are not in their original packaging.

For online and telesales orders, you can only return an item within 7 days from the date of your delivery.

---



[www.dreams.co.uk](http://www.dreams.co.uk)

Thank you for purchasing from

**Dreams**

