

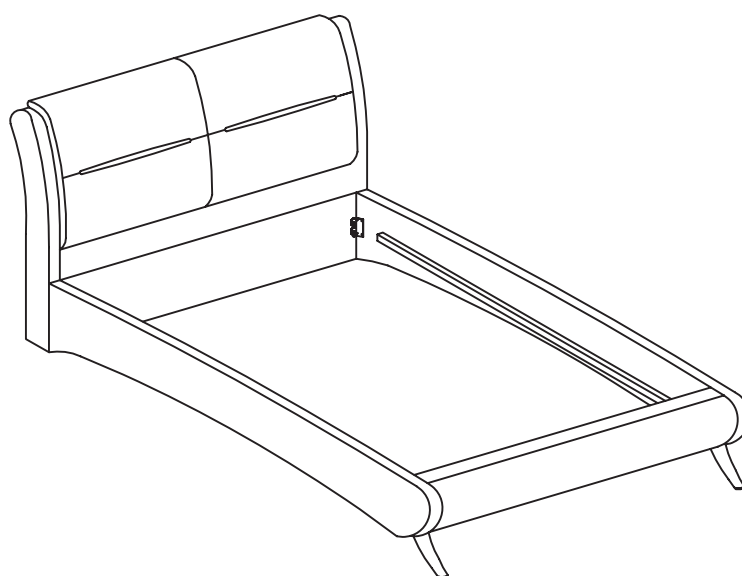


VENICE BEDSTEAD DOUBLE BED

261 - 00091 (SOLID SLATS)

261 - 00092 (SPRUNG SLATS)

Assembly Instruction



Minimum No . of people recommended to assemble this product

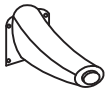
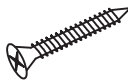


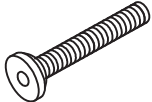

2

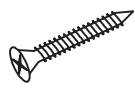

Approx assembly time

45
minutes

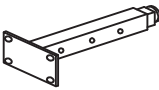
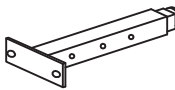


Before you start, here is some helpful advice

1. We suggest you spend a short time reading through this leaflet and then follow the simple step by step instructions .
2. If you follow the instructions carefully the end result should be worth the effort .
3. Do not discard any of the packaging until you have checked that you have all the parts and the pack of fittings .
4. To ensure an easier assembly , we strongly advise that all fittings are only finger tightened during initial assembly . Only upon completion of the . Assembly should all fixing points be fully tightened .
5. We recommend a periodic check on all fixing points to make sure they remain fully tightened .
6. Keep glue and fittings out of children 's reach .
7. In the unlikely event that this product has missing or damaged parts, please call 08442 920000 to obtain spares

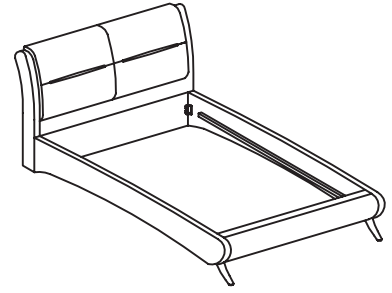
PARTS	Fittings
	<p>A  Footboard Legs x 2 pcs</p> <p>B  CSK M4 x 25mm x 8 pcs</p> <p>C  M5 x 70mm x 1 pc</p> <p>D  Allen key 4mm x 1 pc</p> <p>E  M6 x 45mm x 4 pcs</p> <p>F  M6 x 12 mm x 4 pcs</p>

<p>G  Ø4 x 40mm x 6 pcs</p>	<p>H  M6 x 6 pcs</p>	

Note: The following fittings will be found in the box which contains the sprung frame, NOT with the bed frames Assembly Kit.

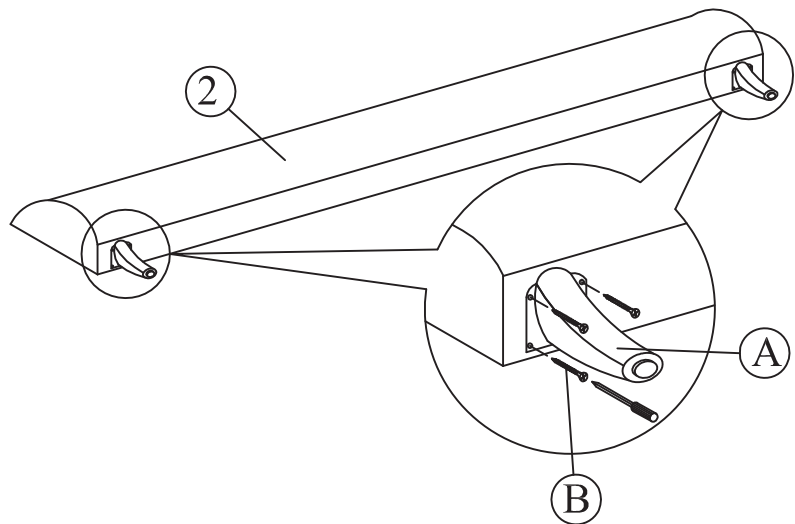
<p>J  Center leg x 1 pc</p>	<p>K  Center leg x 2 pcs</p>	<p>L  M6 x 12 mm x 8 pcs</p>
<p>M  Allen key 4mm x 1 pc</p>		

Assembly



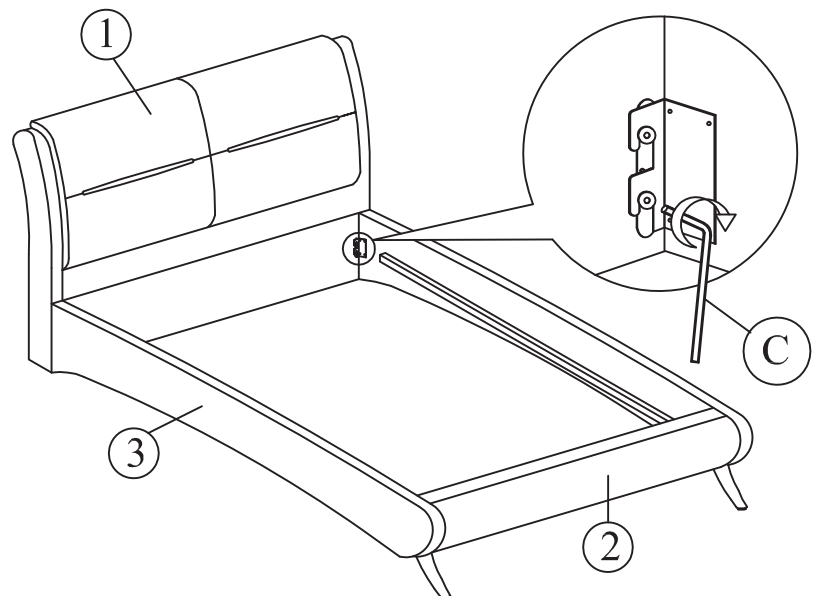
Tighten the legs (A) to footboard (2) as shown .

STEP 1



Attach Side Rail (3) to Headboard (1) and Footboard (2) by pushing the bracket down to fit it.

STEP 2



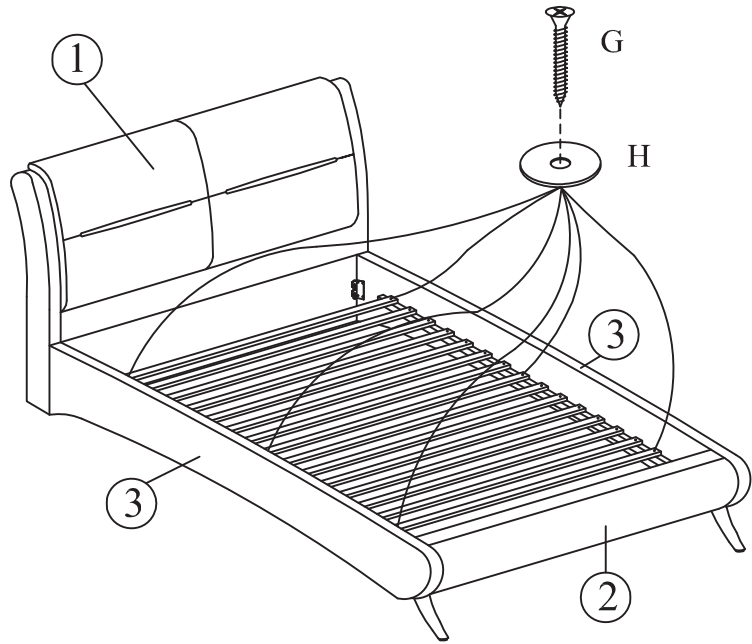
Note : You have bought your bed , choosing one of two slat options ; either solid or sprung . Although the assembly of both options are explained here , only one option will apply to you

Option 1 :
Dreams solid slats

Place the fixed wood slats onto the slat holders on side rails "3" .

Fix the slats at both ends and the middle using screws "H" and washer "I" , tighten with a screwdriver . total of six screws and washer .

STEP 3

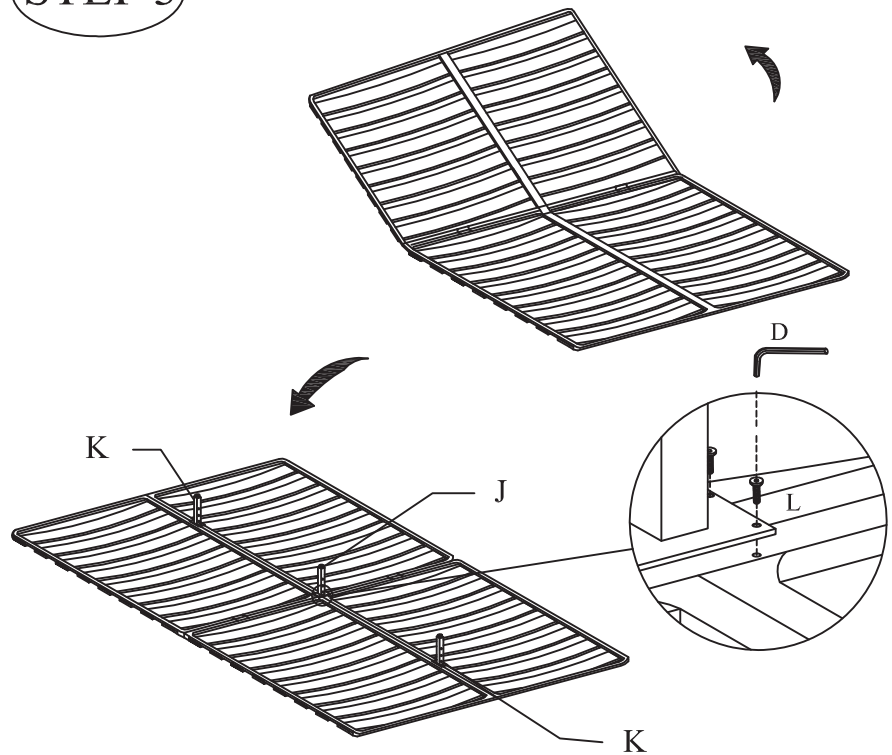


Option 2 :
Dreams sprung slat frame

Open the metal slat frame outwards .

Attach center leg "J" and support legs "K" to the frame and secure using bolts "L" , tighten using allen key "D"

STEP 3



Turn the metal slat frame falling upward and carefully lower the slat frame into the bed .

Ensure that the frame sits on the guides located on the side rails "3" .

Position the slat frame so that the holes in the frame align with those in the side rails "3" . Secure the frame to the side rails "3" by threading bolt "E" and through the holes in the frame and the side rails "3" .

Finally , tighten the bolt "E" into the sleeve nut "F" from the top of slat frame with allen key "D" .

STEP 4

