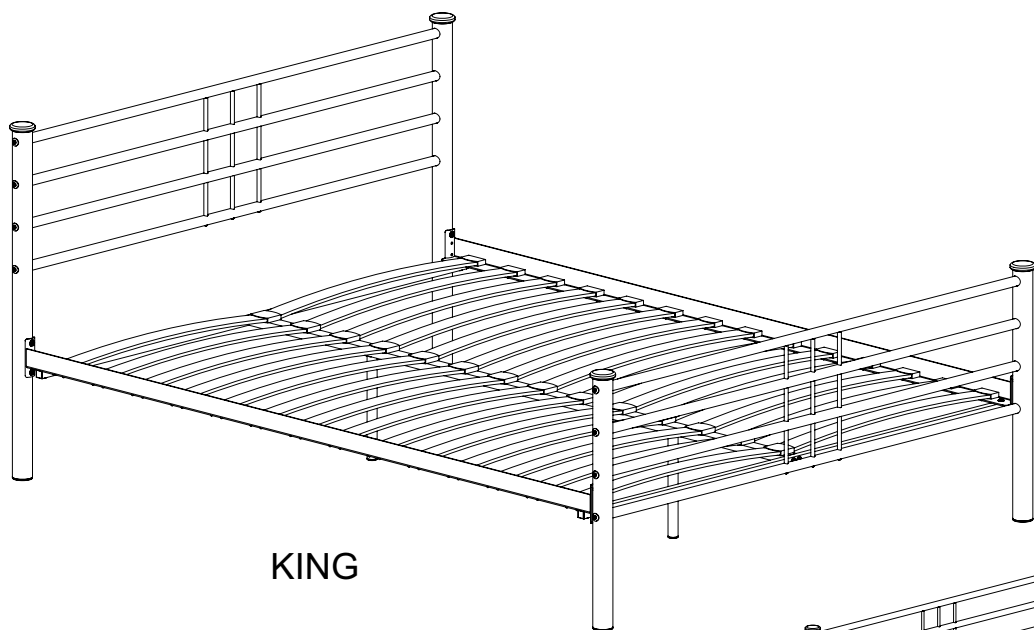




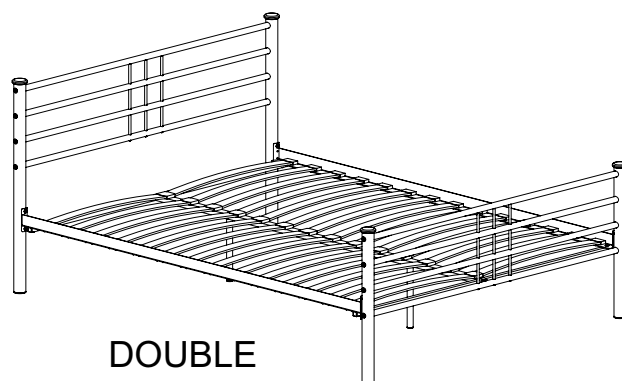
ROMA BED

211-01078 (DOUBLE)
215-00993 (KING)

Assembly Instructions



KING



DOUBLE

Minimum No. of people recommended to assemble this product:

2

Approx assembly time:

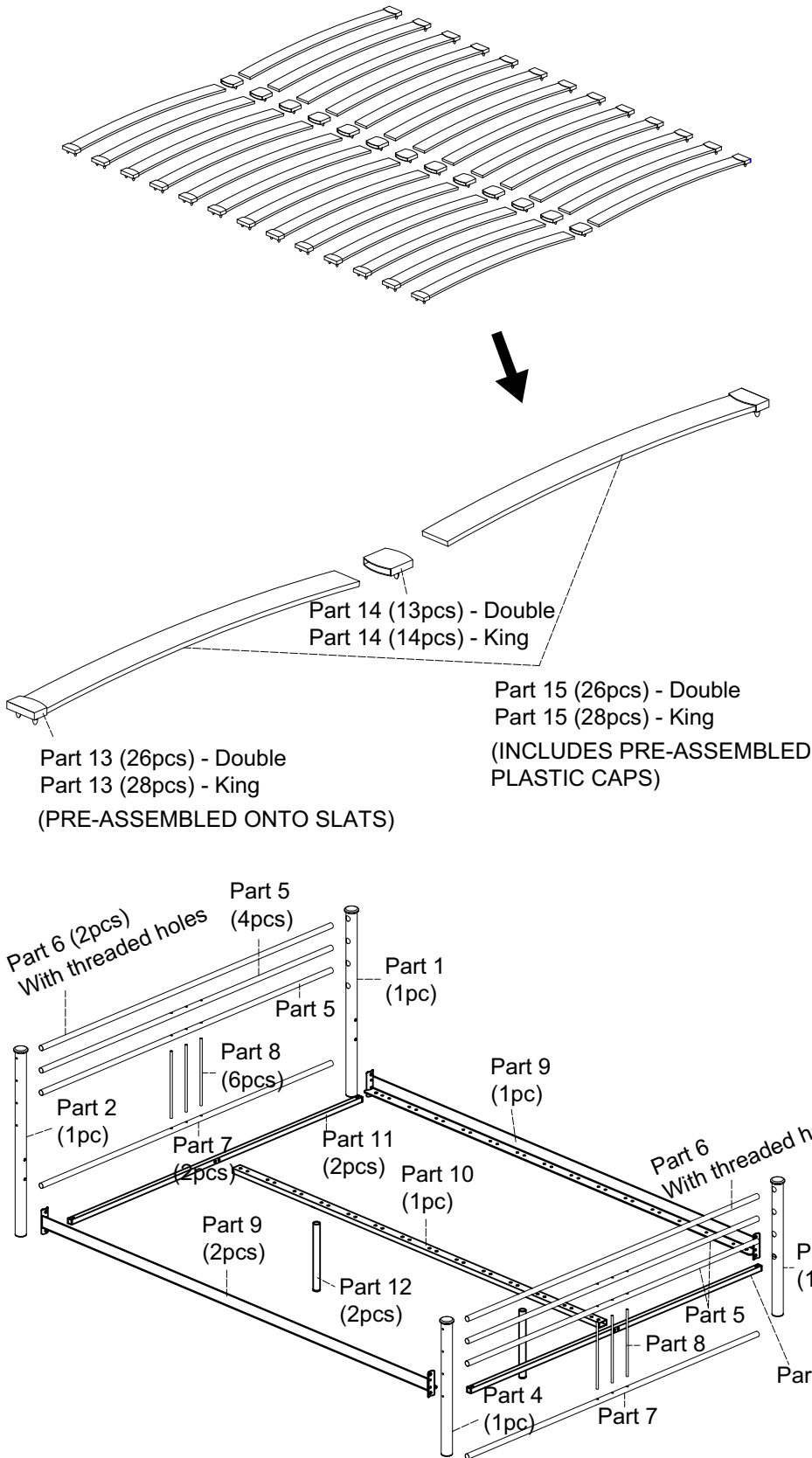
45 minutes

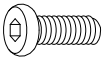
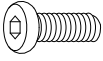
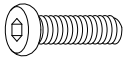
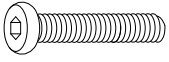
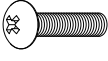
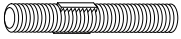

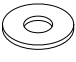
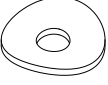
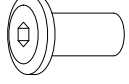
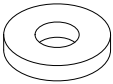
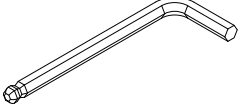
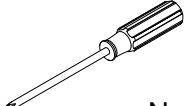
Before you start, here is some helpful advice

1. We suggest you spend a short time reading through this leaflet and then follow the simple step by step instructions.
2. If you follow the instructions carefully the end result should be worth the effort.
3. Do not discard any of the packaging until you have checked that you have all the parts and the pack of fittings.
4. To ensure an easier assembly, we strongly advise that all fittings are only finger tightened during initial assembly. Only upon completion of the assembly should all fixing points be fully tightened.
5. We recommend a periodic check on all fixing points to make sure they remain fully tightened.
6. Keep glue and fittings out of children's reach.
7. In the unlikely event that this product has missing or damaged parts, please call 0844 292 0000, followed by selecting Option 4 to obtain spares.

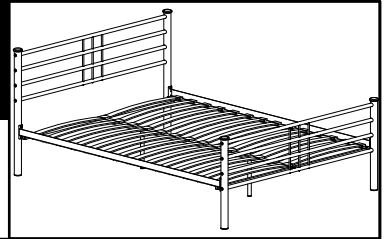
Parts

Fittings



A		M6x13mm Allen screw	4pcs
B		M6x20mm Allen screw	8pcs
C		M6x25mm Allen screw	16pcs
D		M6x40mm Allen screw	4pcs
E		20mm Screw	6pcs
F		28mm Threaded stud	6pcs
G		m6x25mm Threaded stud	2pcs
H		Washer-Ø16	16pcs
J		Curved Washer	16pcs
K		Nut	4pcs
L		Rubber washer	8pcs
M		Allen key	2pcs
		Not supplied	

Assembly



1) Screw threaded studs (F) into the holes in headboard and footboard horizontal rails (6).

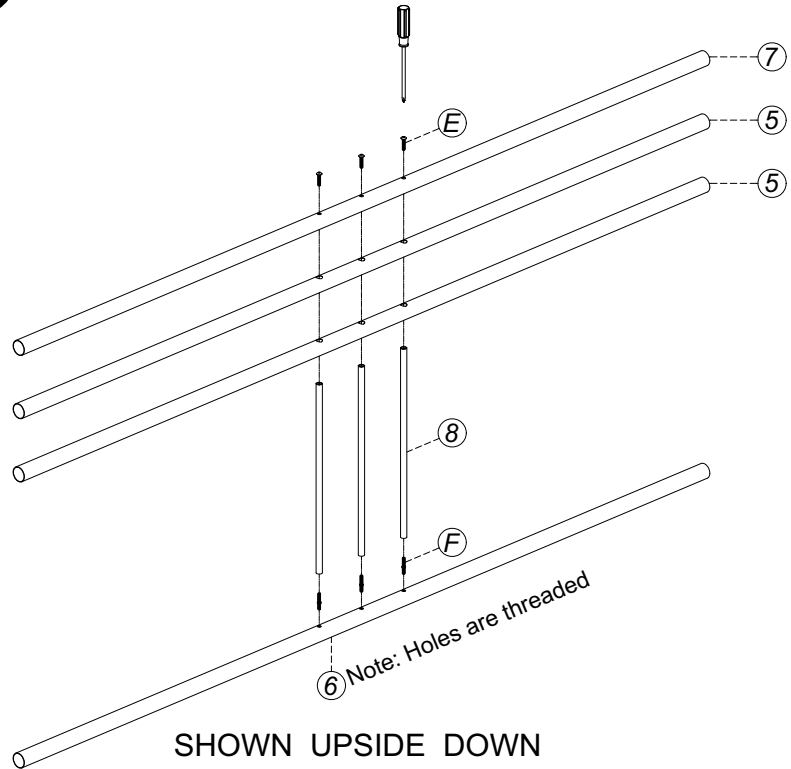
2) Screw vertical slats (8) onto threaded studs (F).

3) Locate horizontal rails (5) down over the vertical slats (8).

Note: These will be loose at this stage.

4) Finally secure horizontal rail (7) onto the ends of the vertical slats (8) using fixing screws (E).

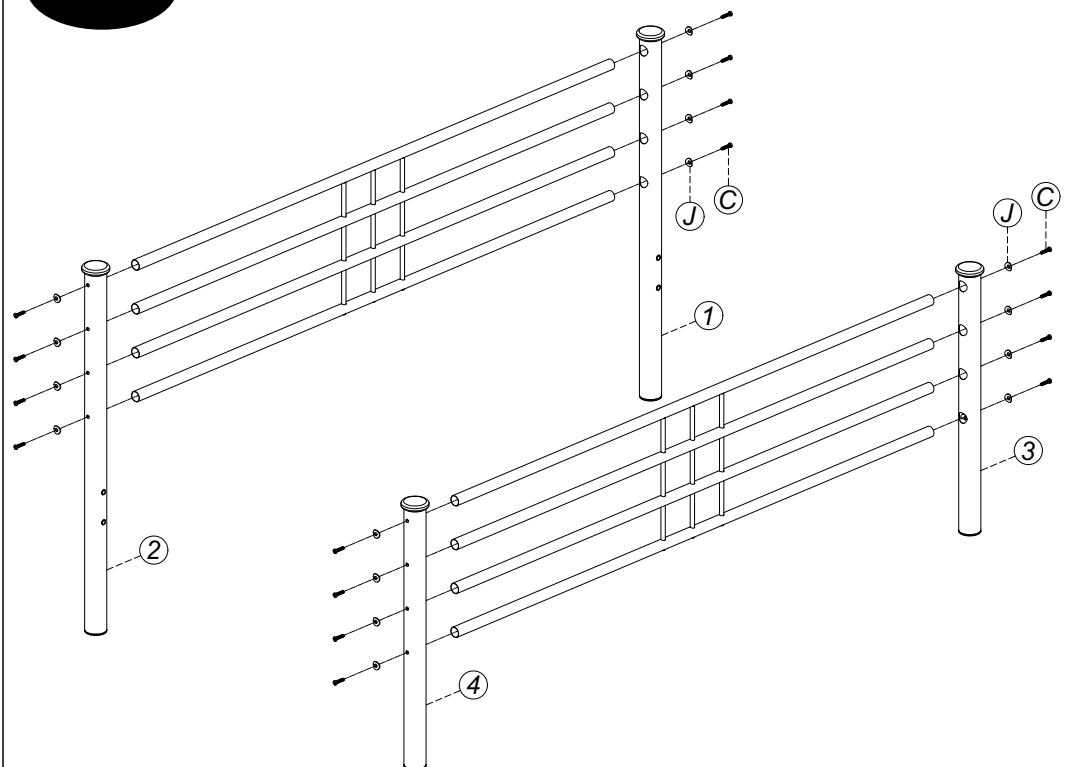
STEP 1



1) Assemble headboard corner posts (1) and (2) to the pre-assembled headboard panel using fixing (C) and (J).

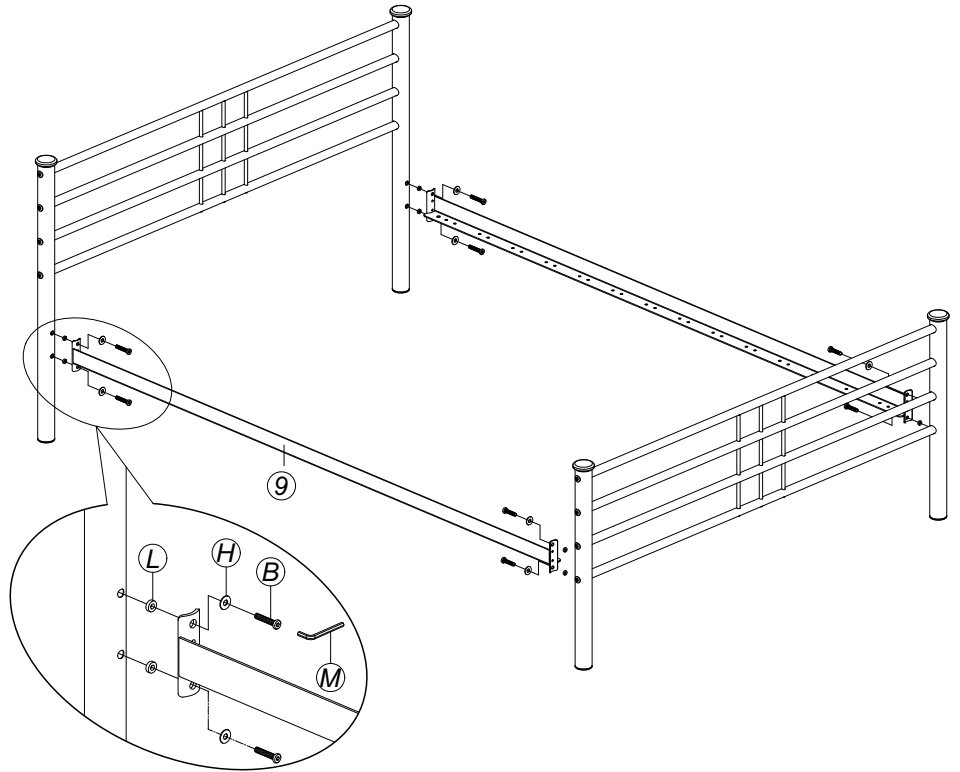
2) Repeat for footboard corner posts (3) and (4).

STEP 2



- 1) Assemble side rails ⑨ in between headboard and footboard using fixings ② (B) (H) and (L).

STEP 3



- 1) Screw short studs ③ into the underside of central support ⑩.

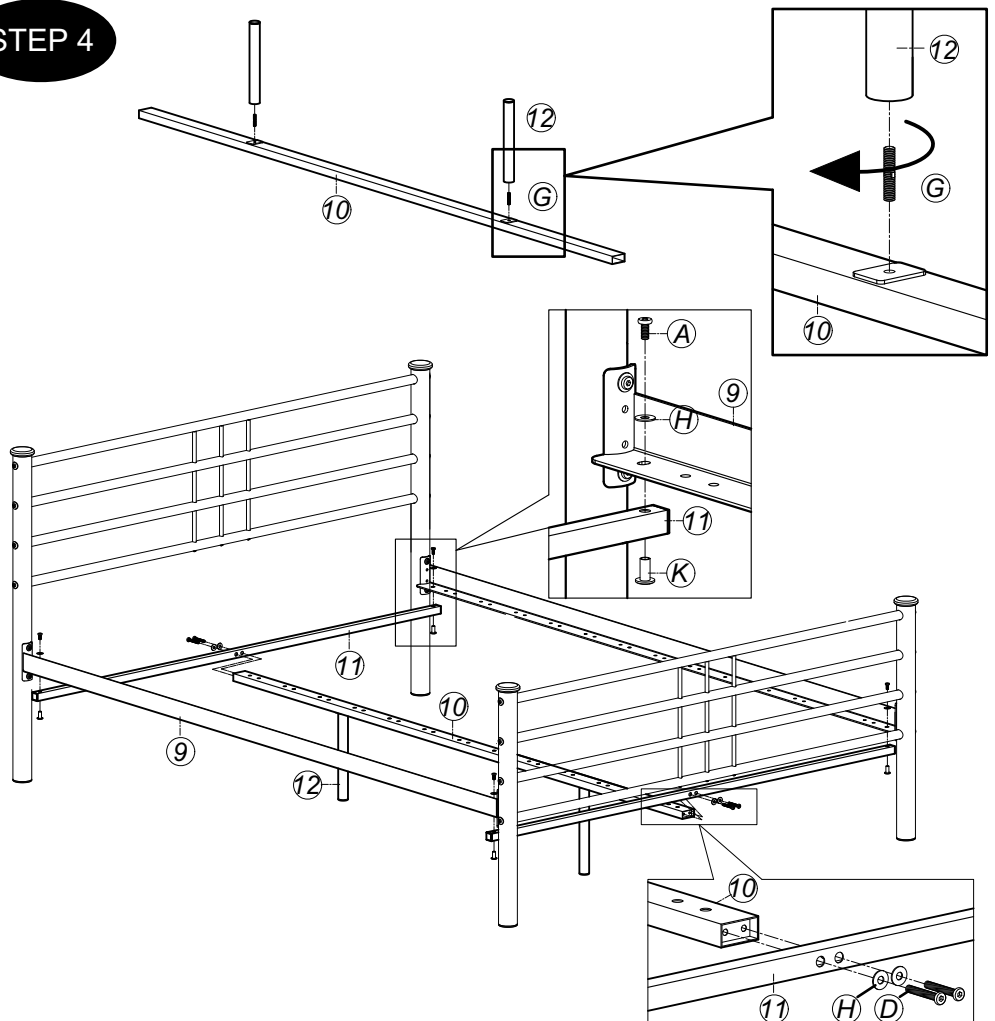
Screw support legs ⑫ onto the short studs and tighten.

- 2) Assemble end support ⑪ to the underside of side rails ⑨ using fixings ④ (A) (H) and (K).

Repeat for both ends.

- 3) Assemble central support ⑩ in between end supports ⑪ using fixings ⑤ (H) and (D).

STEP 4



- 1) Fit wooden slats 15 into the side rails 9 as shown.

Note: Plastic caps 13 are already pre-assembled onto one end of wood slats 15.

- 2) Fit wood slats 15 into both sides of plastic cap 14, before pushing cap 14 into central support 10.

STEP 5

