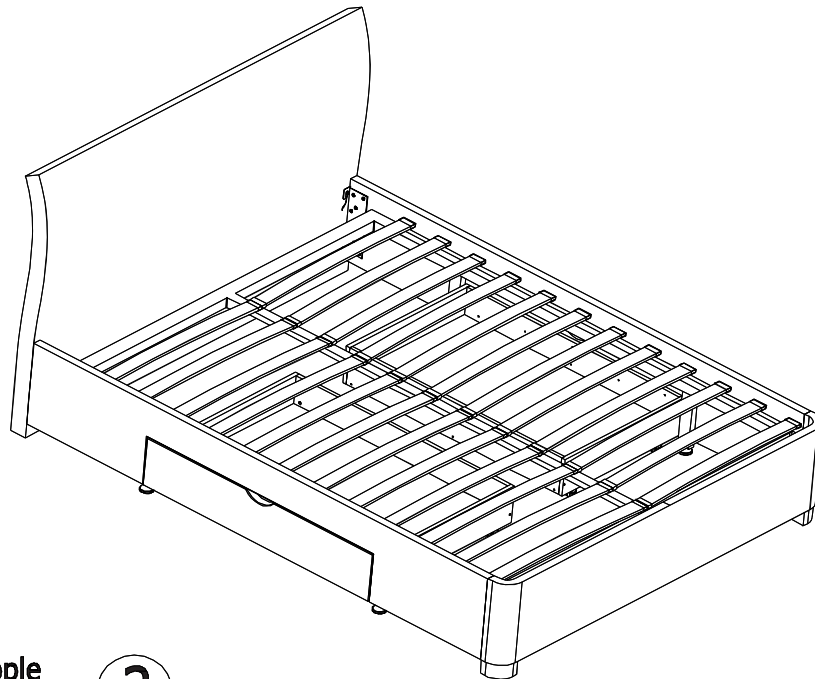




MIAMI STORAGE BED

Assembly Instruction



Minimum No. of people recommended to assemble this product:

2

Approx assembly time:

1 1/2 hours






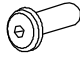



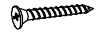




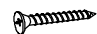
Before you start, here is some helpful advice

- 1) Owing to the size and weight of the Miami Storage Bed, we recommend that it is assembled by two adults, on a flat surface, in the room that it is intended for.
- 2) Please do not use any tools other than those provided or recommended in these instructions.
- 3) Please do not discard any packaging until you have checked that you have all the parts and fittings. Keep all fittings out of reach of children
- 4) Assemble all parts loosely until advised to tighten. Depending on use, it may be necessary to tighten the fittings from time to time, so please save your allen key and spanner that has been provided.
- 5) Do not throw away any of the packing or the instruction book until you have checked all the components and fittings and the furniture is fully assembled
- 6) In the unlikely event that this product has missing or damaged parts, please call 08442 920000 to obtain spares.


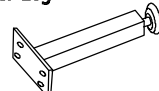
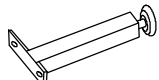
Components parts and fittings contained in the box

Please sort all parts before you begin to assemble the item. This to make sure you always use the correct part

Fittings

A. 12pcs - Bolt M8x30mm 	B. 6pcs - Bolt M6x45mm 	C. 12pcs - Spring Washer $\varnothing 13 \times 8$ 	D. 20pcs - Flat Washer $\varnothing 17 \times 8$ 
E. 1pc - Allen Key M8 	F. 6pcs - Sleeve Nut M6x16mm 	G. 1pc - Allen Key M6 	H. 6pcs - Flat Washer $\varnothing 16 \times 6$ 
I. 28pcs - Nut 	J. 6pcs - CSK M5 x 50mm 	K. 40pcs - CSK M3 x 20mm 	L. 16pcs - CSK M4 x 30mm 
M. 8pcs - Bolt M8x45mm 	N. 4pcs 	O. 28pcs - CSK M5 x 50mm 	

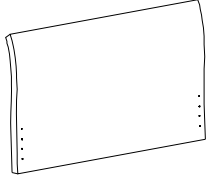
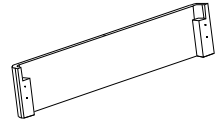
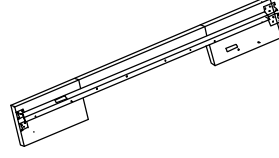
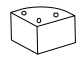
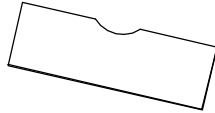

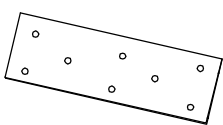

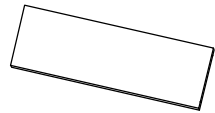
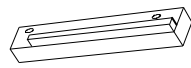
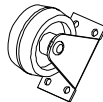

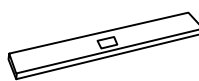
Note : The following fittings will be found in the box which contains the Sprung Slat Frame, Not with the bed frames Assembly Kit.

P. 8pcs - Bolt M6x15mm 	Q. 1pc - Center Leg 	R. 2pcs - Support Leg 
---	--	--

Hazard Warning !

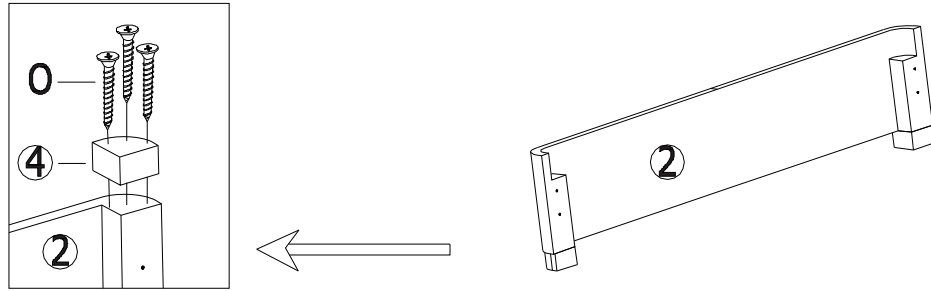
Keep small components out of the reach of children

Parts

① Headboard x 1pc 	② Footboard x 1pc 	③ Siderail x 2pcs 
④ Leg X 2pcs 	⑤ Drawer Front Panel I x 2pcs 	⑥ Drawer Side Panel x 4pcs 
⑦ Drawer Front Panel II x 2pcs 	⑧ Drawer Bottom Panel x 2pcs 	⑨ Drawer Back Panel x 2pcs 
⑩ Adjustable Support Leg x 4pcs 	⑪ Wheels x 10pcs 	⑫ Bottom Support Rails x 4pcs 
⑬ Bottom Support Rails x 2pcs 		

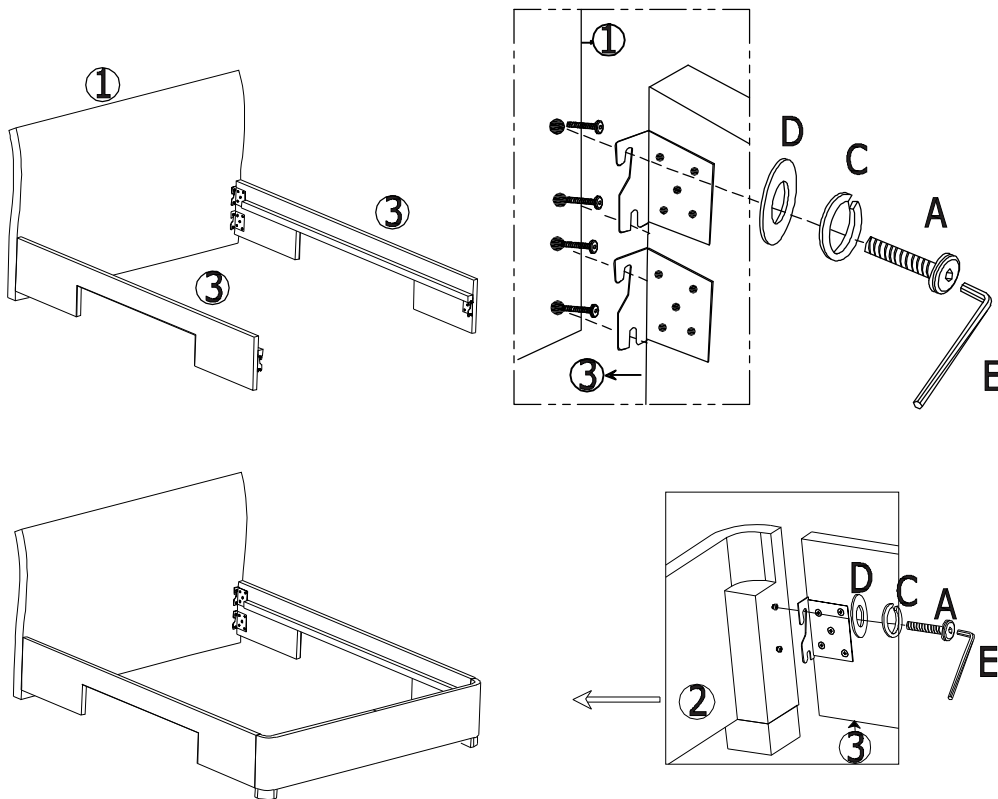
Assembly

Step 1 FIXING LEG TO FOOTBOARD

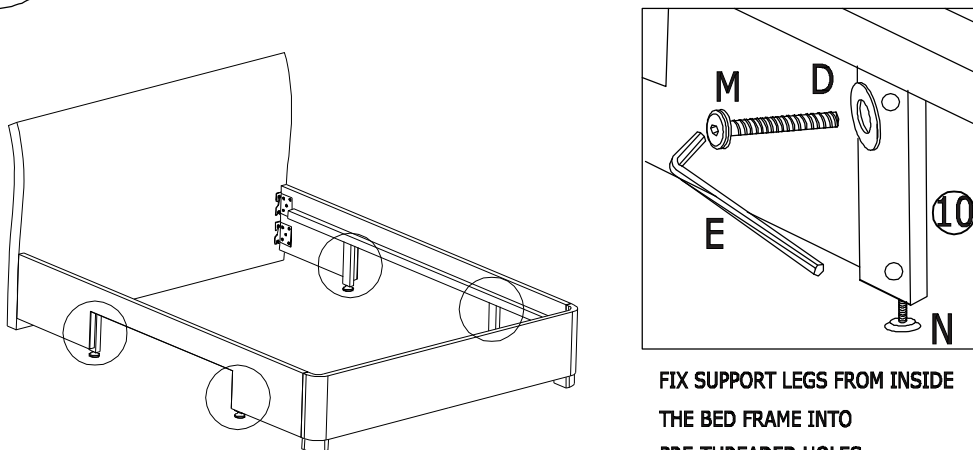


Step 2 FIXING SIDE RAILS TO HEADBOARD AND FOOTBOARD

Pre-fit the fixing bolts "A", Spring Washer "C" & Flat Washer "D" into the threaded holes in the base of the Headboard & Footboard. Leave at least 10mm clearance to allow you to slide the side rails into place between the Headboard and Flat Washer "D". Make sure the side rail is firmly in position by pushing down to locate onto the fixing bolts, and then loosely tighten until assembly is completed and then fully tighten with the Allen Key "E".



Step 3 FIXING ADJUSTABLE SUPPORT LEG TO SIDE RAIL



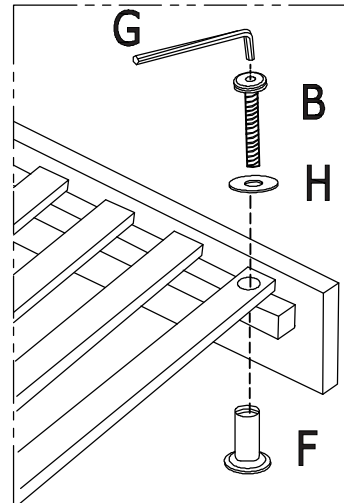
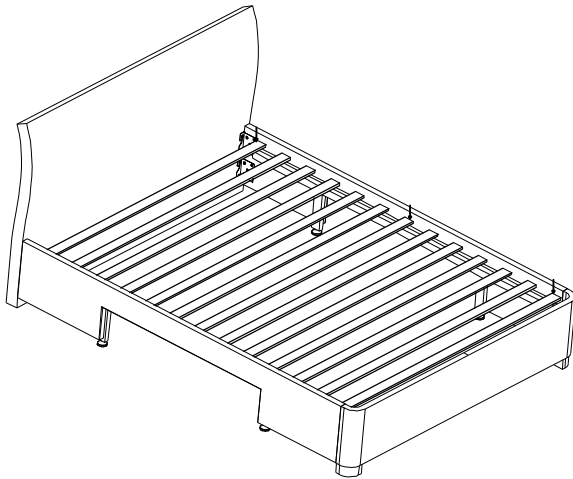
FIX SUPPORT LEGS FROM INSIDE
THE BED FRAME INTO
PRE-THREADED HOLES

Assembly

Note: You have bought your bed, choosing one of two slat options; either solid or sprung.
Although the assembly of both options are explained here, only one option will apply to you.

Step 4 DREAMS SOLID SLATS

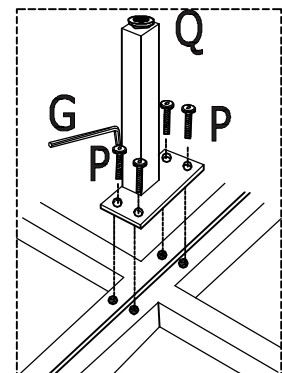
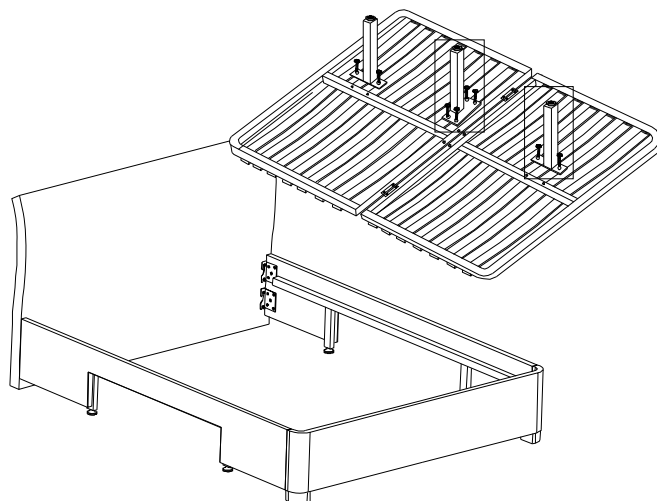
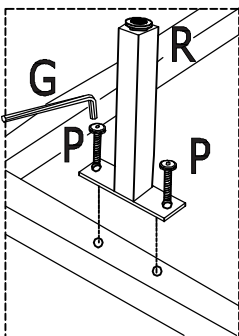
- 1) Place the Fixed Wood Slats onto the slatholders on siderail "3".
- 2) Fix the slats at both ends and the middle using bolts "B", washer "H" and sleeve nut "F".
Total of 6 bolts washers and sleeve nuts.



x 6

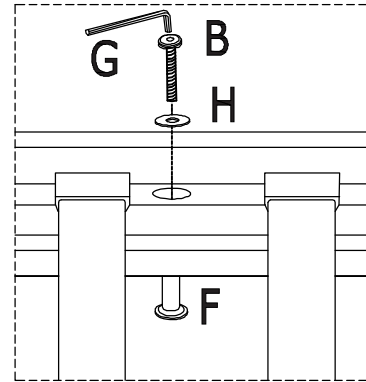
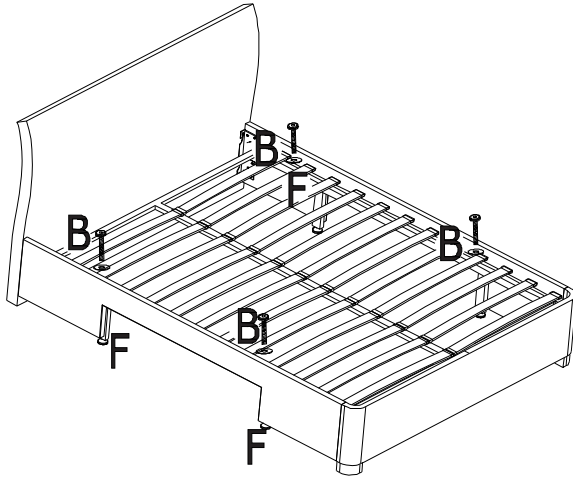
Step 5 DREAMS SPRUNG SLAT SYSTEM

- 1) Open the metal Slat Frame outwards. Attach Center Leg "Q" and Support Leg "R" to the frame and secure using bolts "P", Tighten using Allen Key "G".
- 2) Turn the metal Slat Frame upward and carefully lower the Slat Frame into the bed.
- 3) Ensure that the frame sits on the guides located on the Side Rails "3".



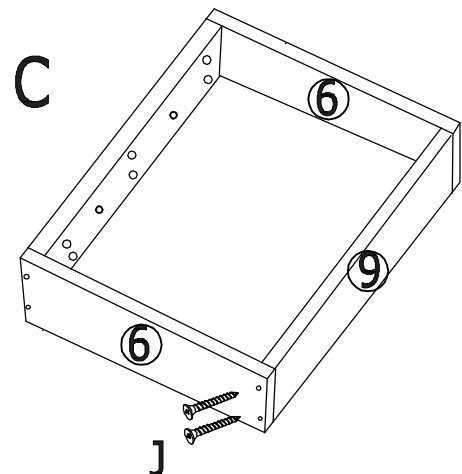
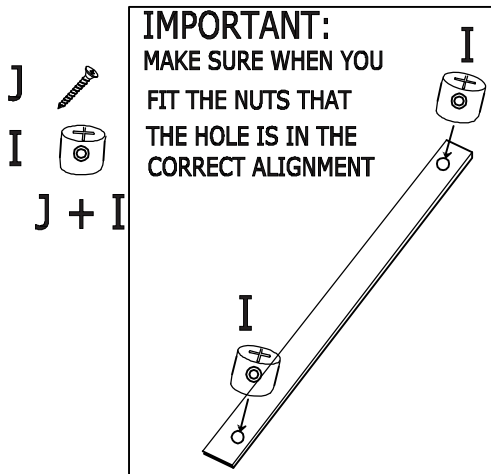
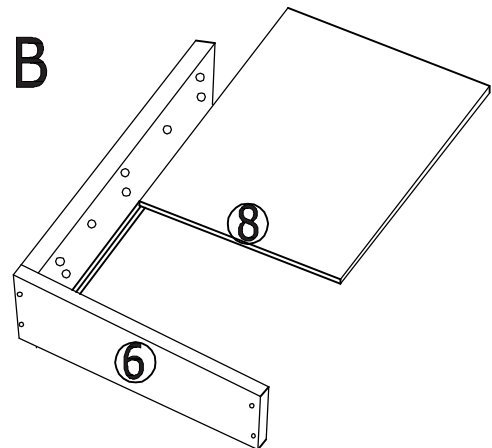
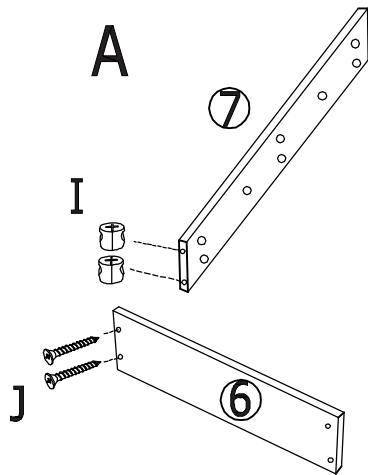
Assembly

- 4) Position the Slat Frame so that the holes in the Frame align with those in the Side Rails "3". Secure the Frame to the Side Rails "3" by threading bolt "B" through washer "H" and through the holes in the frame and the Side Rails "3".
- 5) Finally, tighten the bolt "B" into the sleeve nut "F" from the top of slat frame
Total of 4 bolts, washers and sleeve nuts.

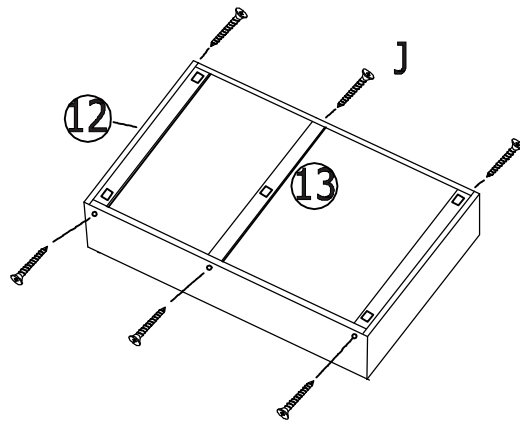


x 4

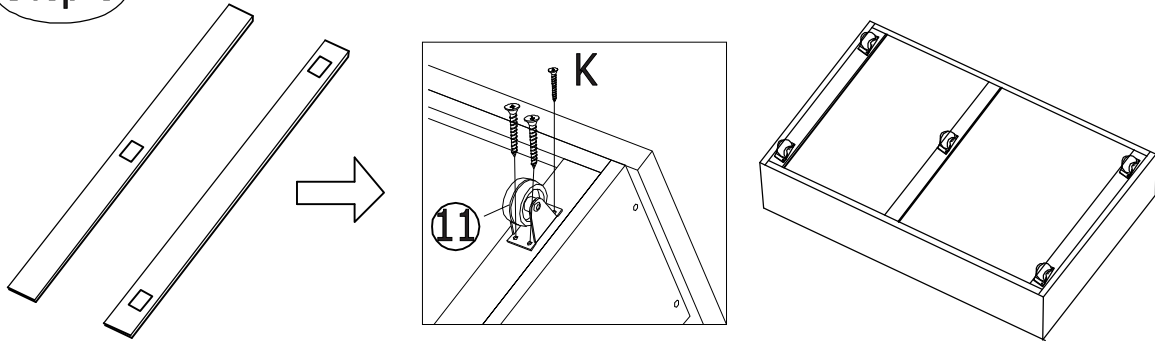
Step 6 DRAWER ASSEMBLY



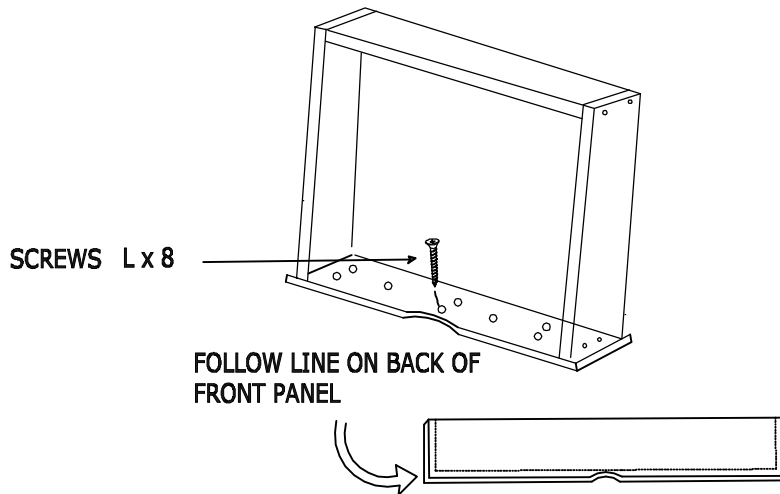
Step 7



Step 8



Step 9



Step 10 SLOT IN THE DRAWERS

