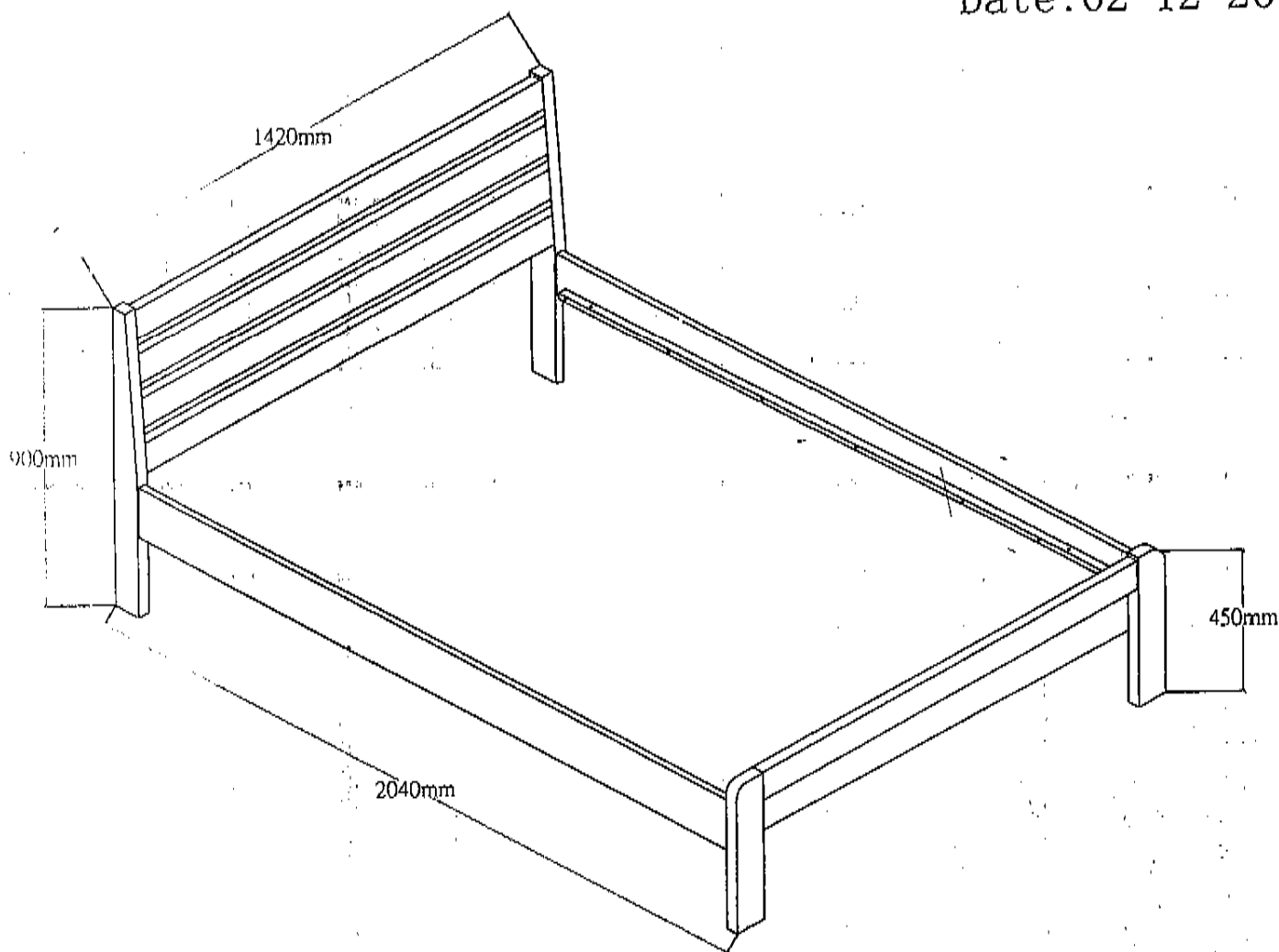


# Dreams

## METZ 4.6

### Assembly instructions

Date: 02-12-2010



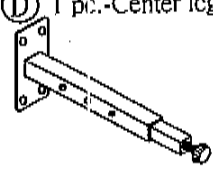
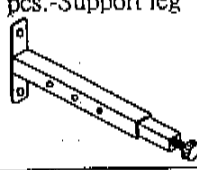
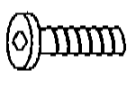
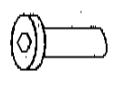
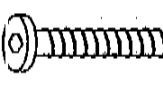



Do not throw away any of the packing or the instruction book until you have checked all the components and fittings and furniture is fully assembled.

In the unlikely event that this product has missing or damaged parts, please call 08442 9200 to obtain spares.

# Components parts and fittings contained in the box

**Note:** The following fittings will be found in the box which contains the Sprung Frame, NOT with the bed frames Assembly kit.

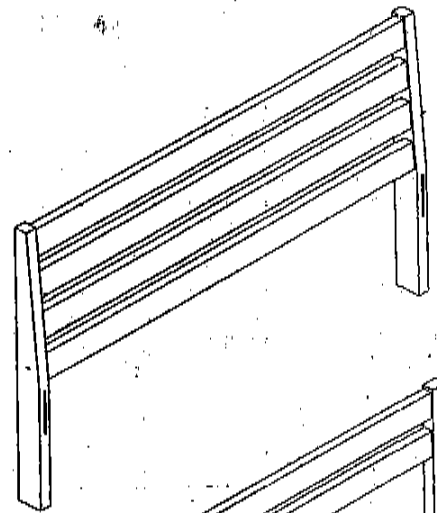
## Fittings

<p>Ⓓ 1 pc.-Center leg</p> 	<p>Ⓔ 2 pcs.-Support leg</p> 	<p>Ⓕ 8 pcs.-Bolt M6*12mm</p> 	<p>Ⓖ 4 pcs.-SleeveNut 1/4*17</p> 
<p>Ⓗ 4 pcs.-Bolt 1/4*35</p> 	<p>Ⓘ 4 pcs.-Flat washer 1/4*16</p> 	<p>Ⓙ 4 pcs.-Lock washer 1/4*13</p> 	<p>Ⓛ 1 pc.-Allen key-4mm</p> 

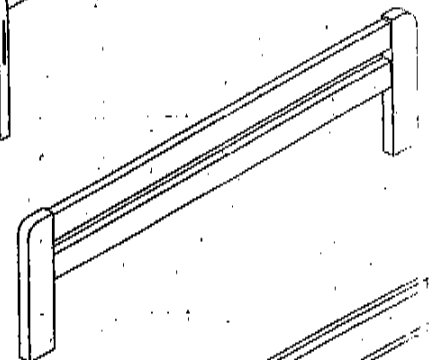
**Hazard warning !**

keep small components out of thach of children.

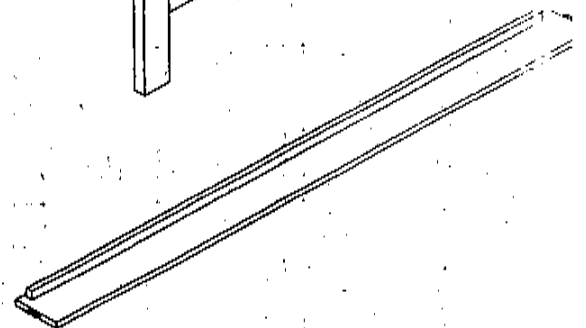
Ⓐ HEADBOARD 1PC.



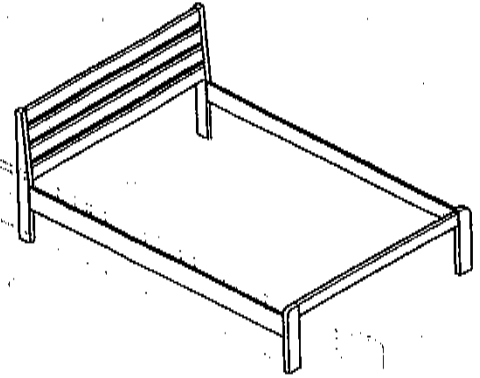
Ⓑ FOOTBOARD 1PC.



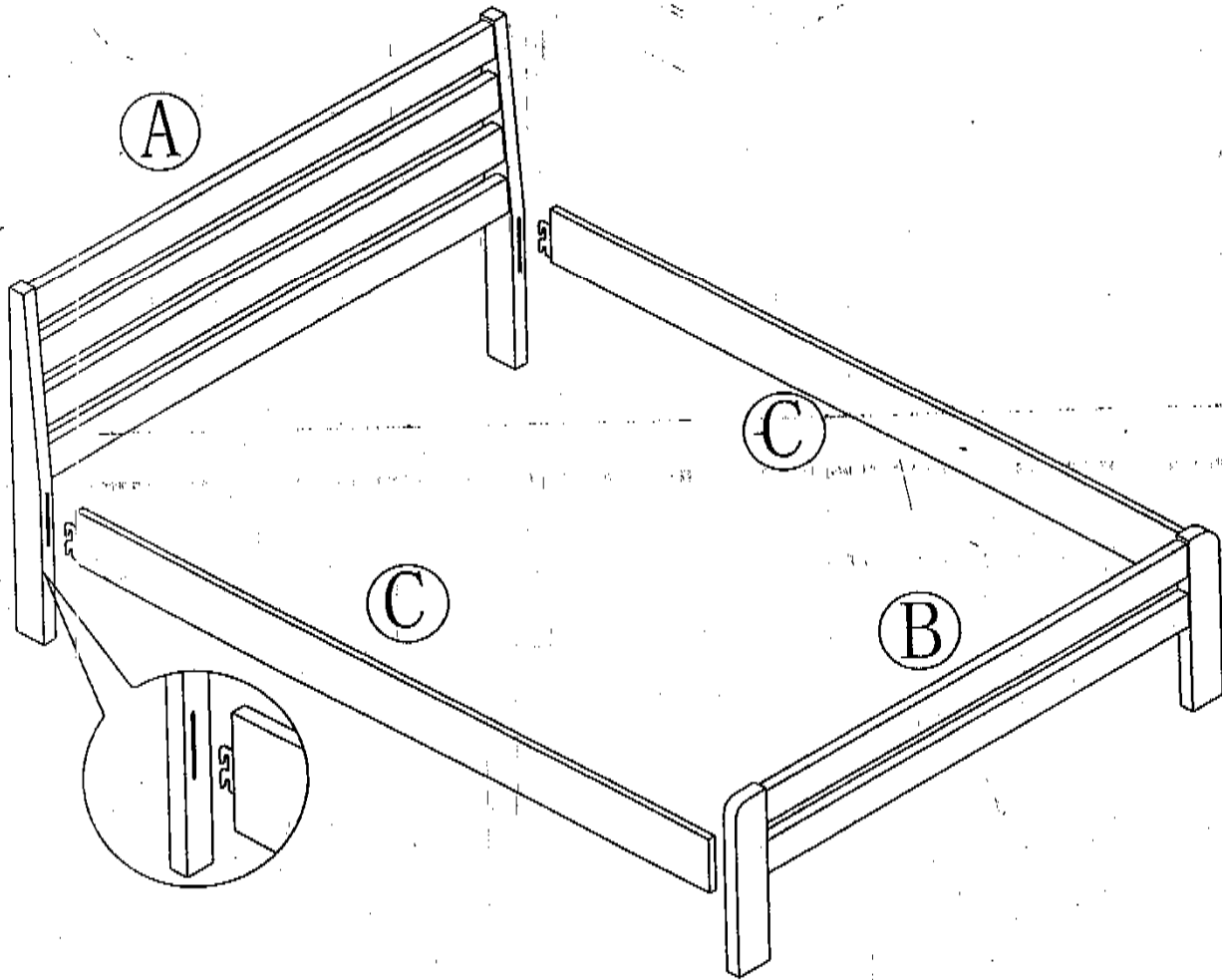
Ⓒ SIDERAIL 2PCS.



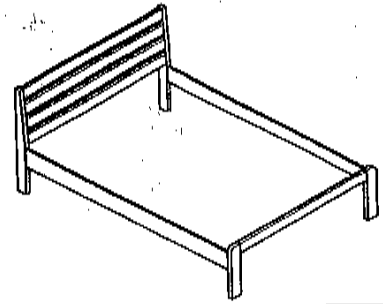
# Assembly



## Step 1



# Assembly



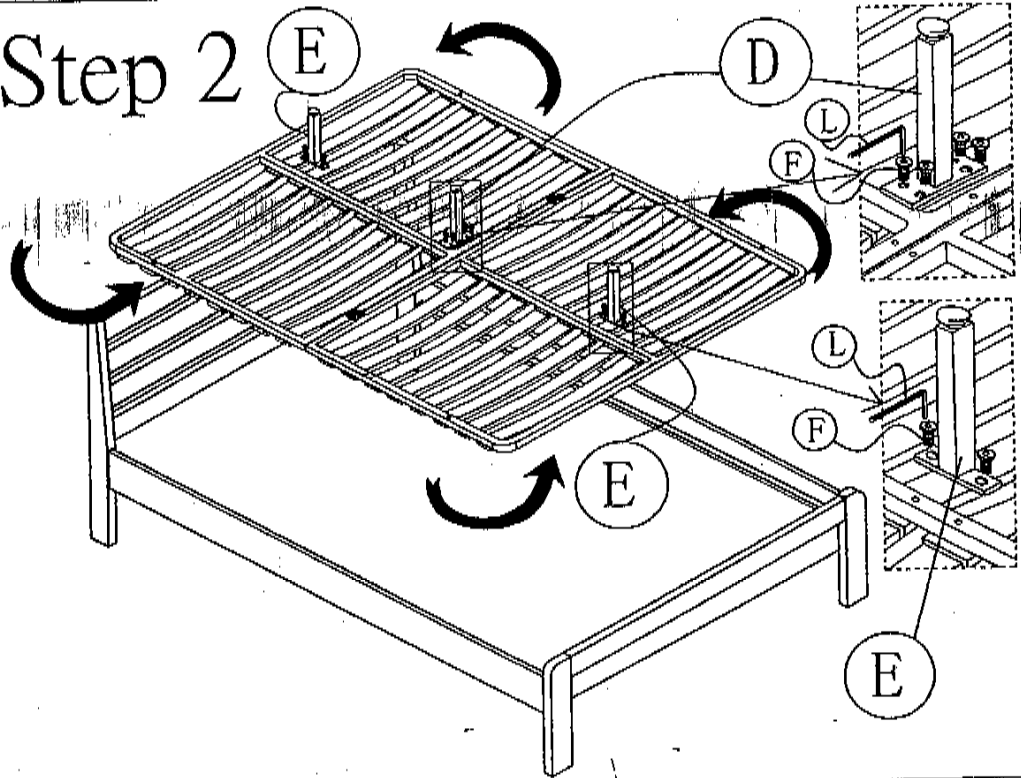
## DREAMS SPRUNG SLAT SYSTEM

Open the metal Slat Frame outwards. Attach Center Leg "J" and Support Leg "M" to the frame and secure using bolts "L". Tighten using Allen Key "B".

Turn the metal Slat Frame falling upward and carefully lower the Slat frame into the bed.

Ensure that the frame sits on the guides located on the Side Rails "4".

## Step 2

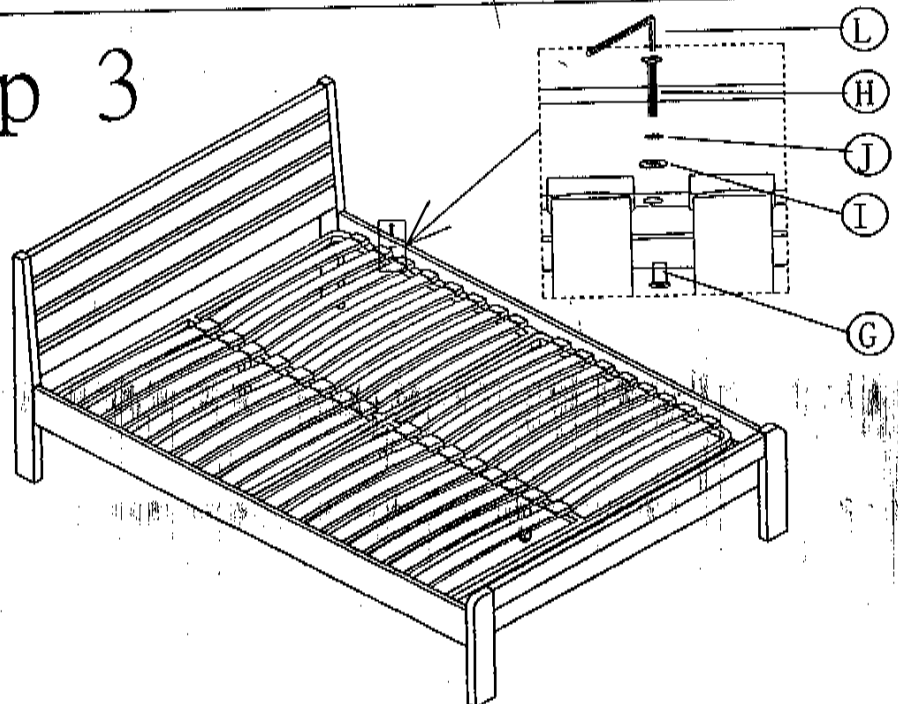


## DREAMS SPRUNG SLAT SYSTEM

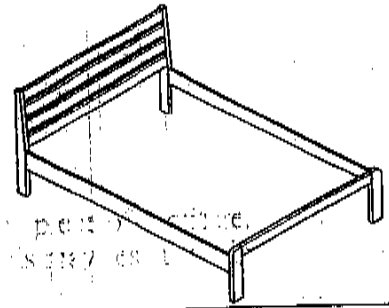
Position the Slat Frame so that the holes in the Frame align with those in the Side Rail "4". Secure the frame to the Side Rails "4" by threading Bolt "G" through Lock Washer "F" and Washer "E" and through the holes in the frame and the Side Rails "4".

Finally, tighten the Bolt "G" into the sleeve nut "H" from the top of slat frame

## Step 3



# Assembly

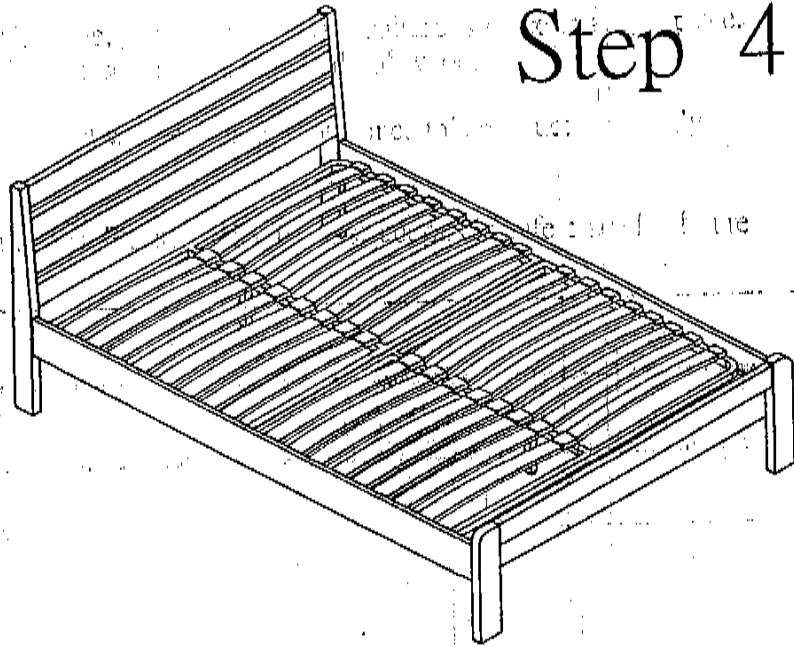


## FIXED WOOD SLATS

Place the Fixed Wood Slats onto the slat holders On side rail " 4"

Fix the slats and both ends And the middle using Screws "I" and washer "E" Total of six screws and washers.

## Step 4



## Dear customer.

Please note that the product you have purchased is a natural living timber.

Just like nature, wood varies in shape and colour. Knots, vein patterns, resin pockets and colour differences contribute to giving the piece of furniture its beauty and form a natural part of solid wood.

Although the tree has been cut down and dried, it is still alive and therefore will react to high and low temperature, light, humidity, drought and time.

In cold and dry periods, the wood contracts which may lead to small cracks in the piece of furniture. The reverse happens in warm and humid periods where the wood expands and this may result in slight unevenness.

The colour of the wood also changes with time, particularly if the furniture is placed in a light place. This is a natural process and part of owning a piece of furniture made of wood.

Any flexing that has occurred during transport will be corrected itself once this product is correctly assembled.

Tighten all joints of furniture after six months. Please keep these instructions in a safe place for future use.