

**TO BE  
RETAINED  
BY END USER**



# TV bed

## **ASSEMBLY INSTRUCTIONS**



**PLEASE NOTE:** Your frame may look slightly different depending on the model purchased. Assembly however, is identical.



There are four outer packs containing the following:

**Pack 1:** Headboard including wooden slats

**Pack 2:** Footboard including TV, lift and cabling.

**Pack 3:** Side rails, centre support rail and centre supporting legs

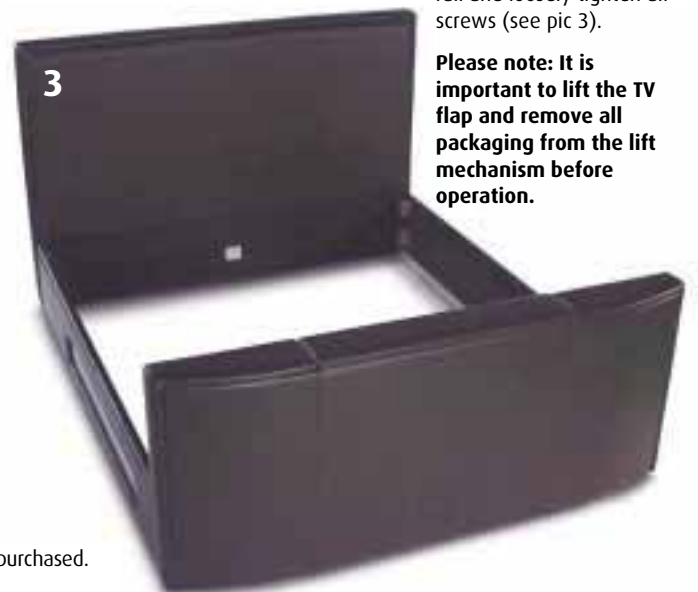
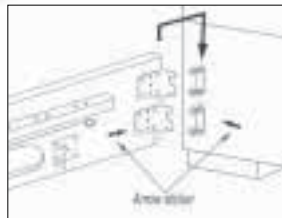
**Pack 4:** Equipment tray, power cables for lift and TV, control unit, TV instructions and remote control, plastic end caps and assembly screws.



## Stage 1 Assembling the frame

Partially screw the four screws into the fixing holes at either end of the headboard and footboard.

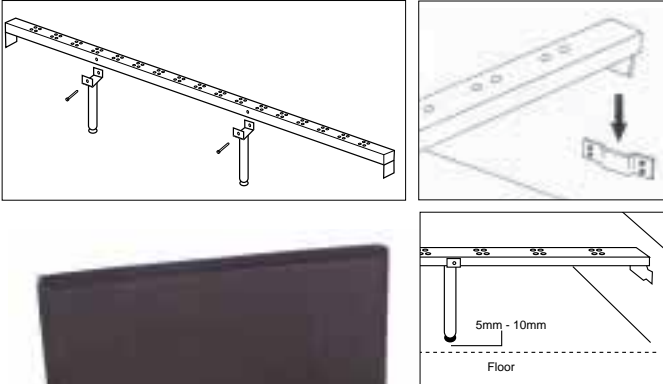
Join the headboard to the side rail with the equipment tray slot ensuring that the actuating button is at the headboard end of the side rail. (see pic 1)



PLEASE NOTE: Your frame may look slightly different depending on the model purchased. Assembly however, is identical.

## Stage 2 Fitting the centre support

Bolt the two adjustable legs onto the central support bar using fixings provided and drop the assembled unit into the support in the head and foot of the bed frame. Ensure that the central rail sits square and the three supporting legs sit vertically. The three adjustable feet should sit 5mm to 10mm away from the floor. **DO NOT ADJUST THE FEET TO BE IN CONTACT WITH THE FLOOR.**



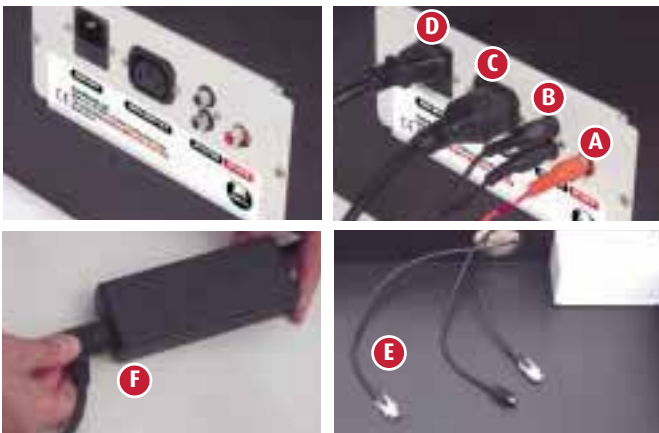
## Stage 3 Fitting the equipment tray

Partially screw the two screws into the fixing holes at either end of the equipment tray. Drop the tray into position on the side rail and tighten *all* the screws at ends of side rails and on equipment tray with the allen key provided.



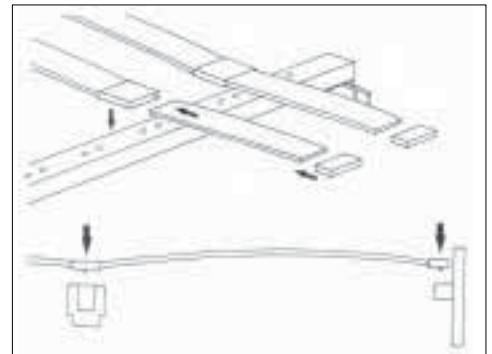
## Stage 4 Electrical connections

1. Connect the red phono plug (lift motor connection) from the footboard to the red phono socket on the control box. (*connection A*)
2. Connect the two black phono plugs (lift buttons) from the two side rails to the two black phono sockets on the control box. (*connections B*)
3. Connect the TV power lead supplied in pack 4 between the transformer and power socket on the control box (marked mains output to TV). (*connections C & F*)
4. Connect the 3m power lead to the power socket on the control box and connect to mains power source. When power is connected the control box will emit a beep. (*connection D*)
5. The three HDMI cables from the footboard can be routed to sit in the DVD compartment ready for connection to DVD players, games consoles etc. (*connection E*)
6. The aerial lead coming from the footboard should be connected to the aerial source. Please note the bed is supplied with a male antennae connection. For best signal quality this should be plugged directly into a female aerial socket. Use of adaptors will degrade the quality of the signal.
7. Test the lift function on both side rail operate buttons.



## Stage 5 Fitting the wooden slats

Assemble each pair of wooden slats with the two plastic end caps and one centre cap. Push firmly down on each cap to ensure they are snapped into position in the rails.







## Operation

On initial power of the control box a single beep confirms that power is connected.

For normal operation press and release either side rail button once and the lift will operate. As the TV rises the TV power will turn on. From the raised position press either side rail button and release and the TV will lower and the power will be cut to the TV.

The lift can be halted in any position whilst in operation with a single press of either side rail button. A subsequent press will restart the lift.



## CHILD LOCK FACILITY

**To set the child lock:** Press and hold either side rail button. After 2 seconds the control box will beep. Continue to hold the button for approx 20 seconds until the beeping sound stops. The child lock is now active and the lift will not operate. The child lock can be activated with the TV either in the lowered or raised position.

**To un-set the child lock:** Turn the power to the control box off at the power source (normally to the side or behind your bed). Leave the power off for a minimum of 30 seconds. Turn the power back on. The Child lock will now be off.

The child lock should be in operation if unsupervised children are allowed access to the bed.

**PLEASE NOTE: IF ON PRESSING EITHER BED BUTTON THE CONTROL BOX EMITS A BEEP, THIS INDICATES THE CHILD LOCK IS ON AND NEEDS TO BE TURNED OFF IF THE LIFT IS TO OPERATE.**



BED BUTTON

## Maintenance

Leather is a natural product. It breathes, is warm and has individual characteristics, which makes each hide unique. Leather will always display traces of its origin such as brands, scars, creases and growth. These hallmarks add character to the bed and do not affect the wearing qualities of the product. Leather is highly resilient, durable over time and develops a patina that increasingly enhances its appeal.

- Always protect your bed from direct sunlight as this may accelerate the natural ongoing discolouration process.
- If you spill something, act quickly to mop and blot liquid with a clean white cloth. Do not use detergents and do not rub. In the event of a stain, please consult a professional cleaning company.
- Clean all parts of a bed together, as slight colour changes can sometimes occur.
- Screws holding together the bed frame should be tightened regularly.

## Troubleshooting

### *Poor picture?*

Please check the quality of your TV signal. The TV provided with the bed requires a strong signal. Avoid using adapters between the aerial cable provided and the aerial socket being connected to.

### *TV will not lift?*

Please check all wires are correctly connected as illustrated in the instructions. The control box emits a beep when initially powered, please make sure this is the case. If control box emits a beep when either button is pressed, please refer to the child lock section

### *TV will not work?*

Please check the power to the TV.

### *TV switch works on one side only?*

Please check the two wires coming from the side rails are connected to the control box.

### *Cannot switch from TV to accessories?*

By simply pressing the input button next to the power on the TV remote, you can switch between TV and other connected sources.

### *Other problems?*

Please contact your point of purchase.

