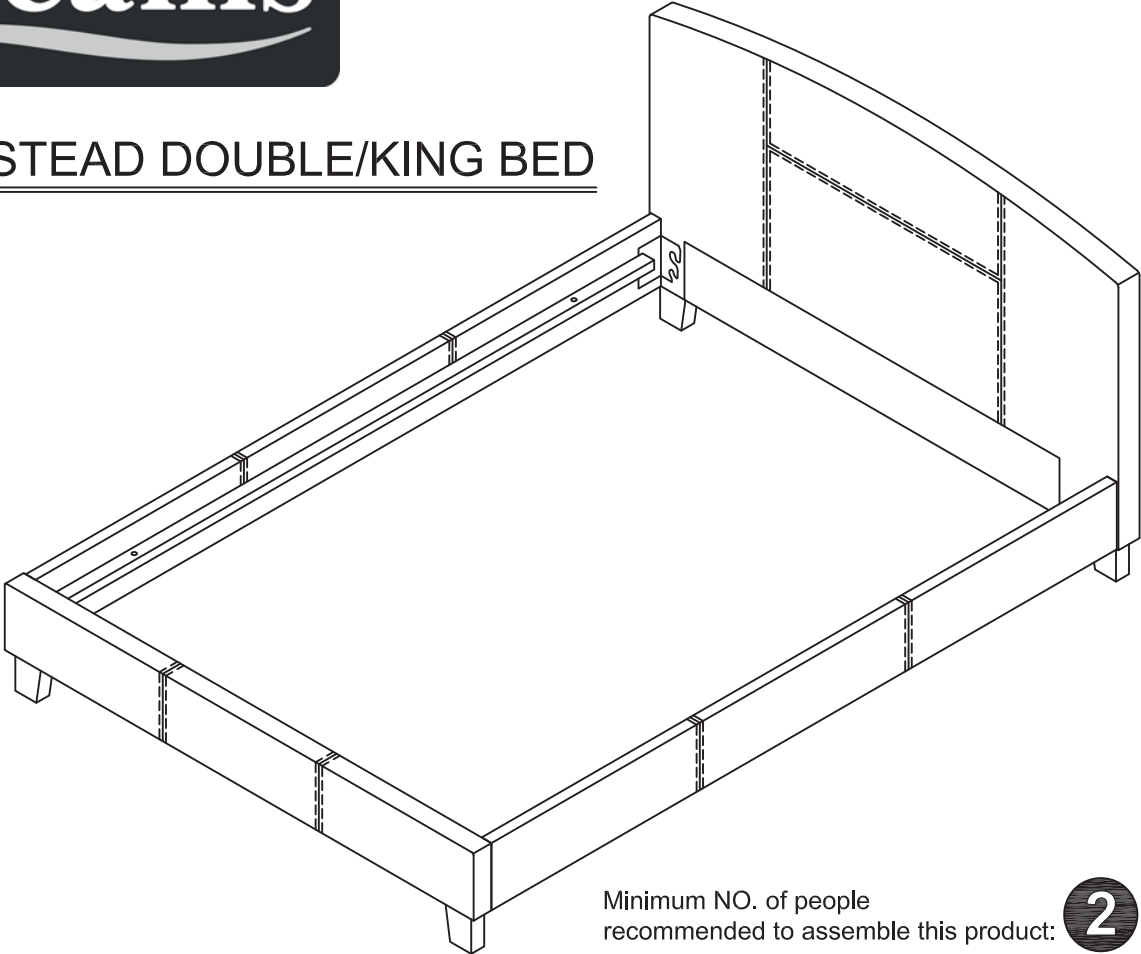




GLB057 BEDSTEAD DOUBLE/KING BED



Minimum NO. of people recommended to assemble this product:

2

Approx assembly time:

3/4 hour

**IMPORTANT** BECAUSE OF THE SIZE OF THIS UNIT, WE RECOMMEND THAT IT IS BUILT IN THE ROOM OF INTENDED USE THAT IT IS ASSEMBLED BY TWO PEOPLE.

**BEFORE YOU START HERE IS SOME HELPFUL ADVICE.**

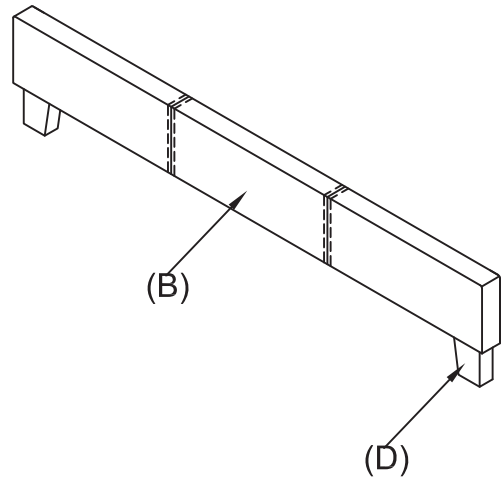
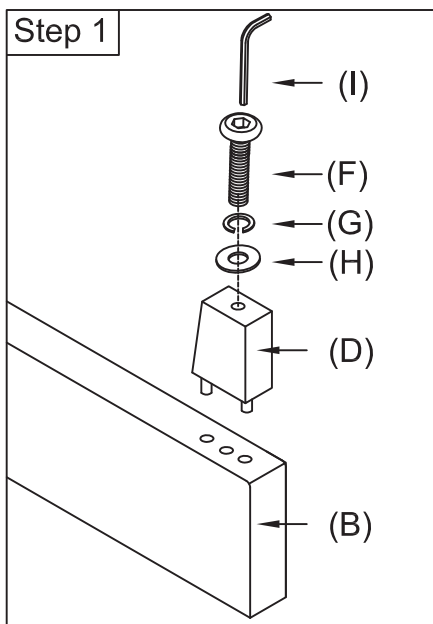
1. The product you have purchased will give you many years of service if you follow the guidelines for it's safe assembly, periodic maintenance and cleaning.
2. Do not use any tools other than those indicated - any spanners required are included with the fixing kit. Use of a power tool to assemble this product will invalidate any claim and could make this product unsafe.
3. Do not discard any packaging until you have checked that you have all the parts and the fixing kit. Discard any excess fittings andy keep all fittings out of reach of children.
4. Assemble this product on a flat surface at the location as intended to use. Assemble all parts loosely before tightening any bolts.
5. Depending on the amount of use it may be necessary to tighten up the fixing from time to time.

# GLB057 BEDSTEAD DOUBLE/KING BED

PARTS LIST		
NO.	DESCRIPTION	QTY
A	HEADBOARD	1PC
B	FOOTBOARD	1PC
C	SIDE RAIL	2PCS
D	WOODEN LEG	4PCS

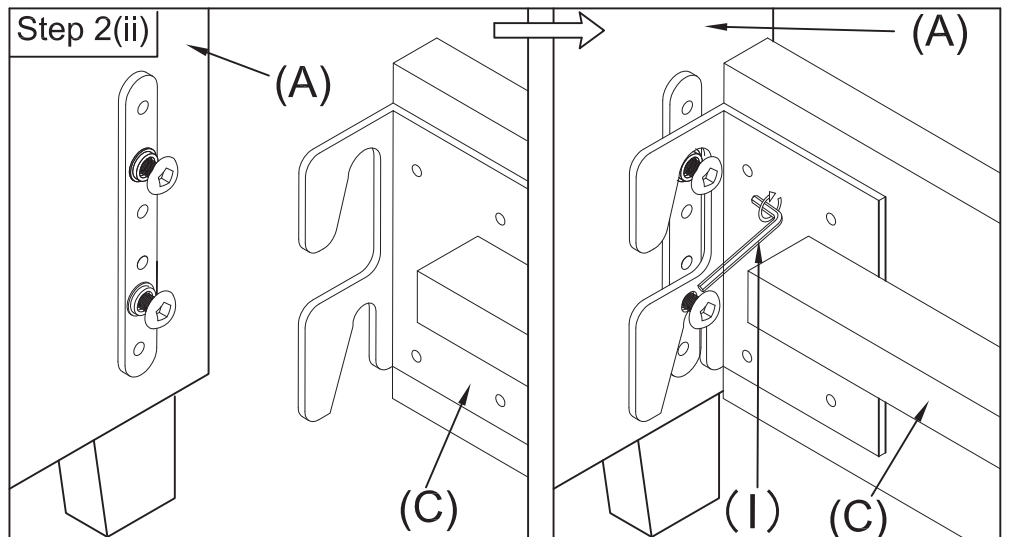
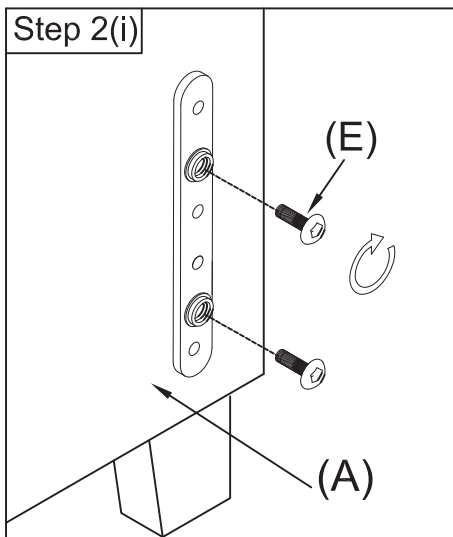
HARDWARE LIST			
NO.		DESCRIPTION	QTY
E		JCBC M8x35MM	8PCS
F		JCBC M8x65MM	4PCS
G		SPRING WASHER M8	4PCS
H		FLAT WASHER M8	4PCS
I		ALLEN KEY M5	1PC

**STEP 1**  
 FIX BOTH WOODEN LEGS (D) ONTO THE FOOTBOARD (A) BY TURNING CLOCK WISE UNTIL FULLY TIGHTENED. SECURED THE WOODEN LEG (D) WITH JCBC M8X50MM (F) SPRING WASHER (G) AND FLAT WASHER (H) BY USING ALLEN KEY. REPEAT STEP FOR THE HEADBOARD (B).





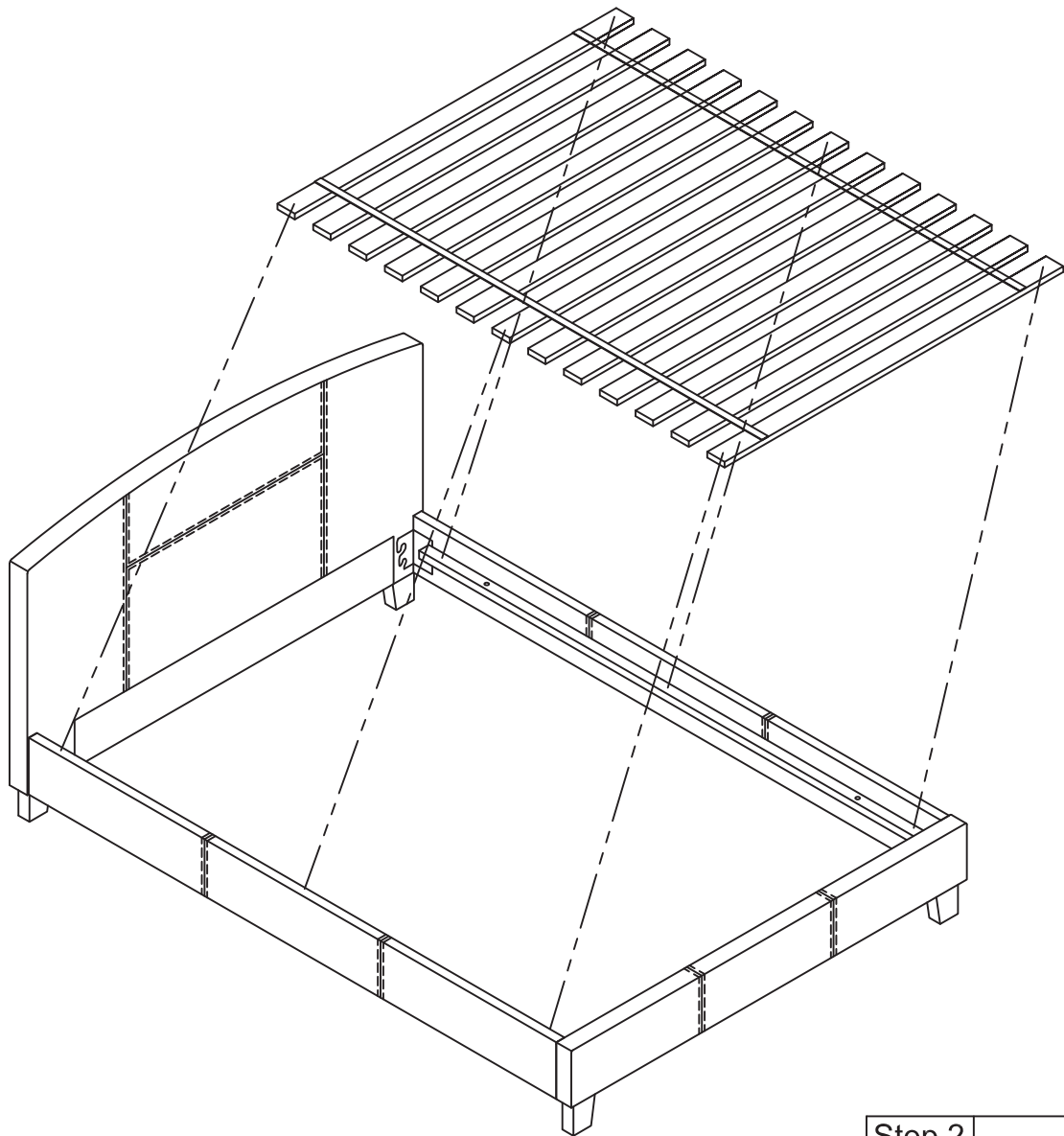
**STEP 2 (i)**  
 INSERT 2PCS OF JCBC M8X18MM (E) WITH SPRING WASHER AND FLAT WASHER TO THE HEADBOARD (A) AND FOOTBOARD (B) METAL PLATE. DO NOT FULLY TIGHTEN ALL THE BOLTS.

**STEP 3 (ii)**  
 ALIGN AND HOOK THE SIDE RAIL (C) FRONT PART TO THE HEADBOARD (A) SCREW AND FRONT PART TO THE FOOTBOARD (B) SCREW. REPEAT SAME STEP FOR THE OTHER SIDE OF BED AND ADJUST 4 CORNERS AT 90°. TIGHTEN ALL THE JCBC M8X18MM (E) WITH ALLEN KEY (G).



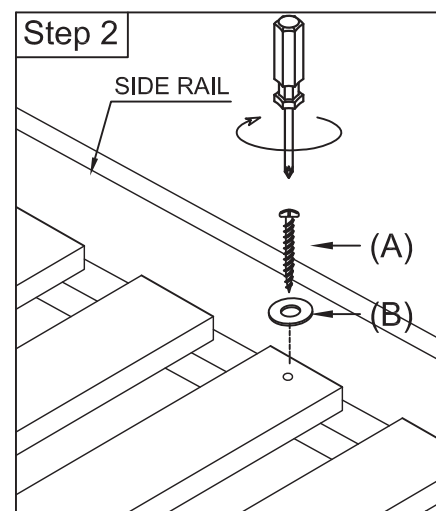
# ASSEMBLY INSTRUCTIONS FOR SOLID SLAT FRAME

HARDWARE LIST			
NO.		DESCRIPTION	QTY
A		CSK M4x38MM	6PCS
B		FLAT WASHER	6PCS



STEP 1.  
STRETCH THE SOLID SLATS OVER THE CENTRE RAILS AND SIDE RAIL SUPPORTS, UNTIL TAUGHT.

STEP 2.  
USING THE CSK M4X38MM (A) AND FLAT WASHER (B), SCREW THE SLATS THROUGH 6PS HOLES AND INTO THE SIDE RAIL SUPPORT.



# ASSEMBLY INSTRUCTIONS FOR SPRUNG SLAT FRAME

HARDWARE LIST			
NO.		DESCRIPTION	QTY
A		JCBC M6x80MM	4pcs
B		FLAT WASHER M6	8pcs
C		HEX NUT	4pcs
D		ALLEN KEY M4	1pc

## STEP 1.

PLACE THE SLAT FRAME TO THE SIDE RAIL WOOD SUPPORT. INSERT THE JCBC M6X80MM (A) AND FLAT WASHER (B) AT THE SLAT FRAME AND SIDE RAIL WOOD SUPPORT SCREW HOLES(TOP POSITION). THEN INSERT THE FLAT WASHER (B) AND HEX NUT (C) AT THE JCBC M6X80MM (A) BOTTOM POSITION. TIGHTEN ALL THE SCREWS WITH ALLEN KEY M4 (D).

**NOTE: 2 SCREW HOLES FOR EACH SIDE RAIL WOOD SUPPORT.**

